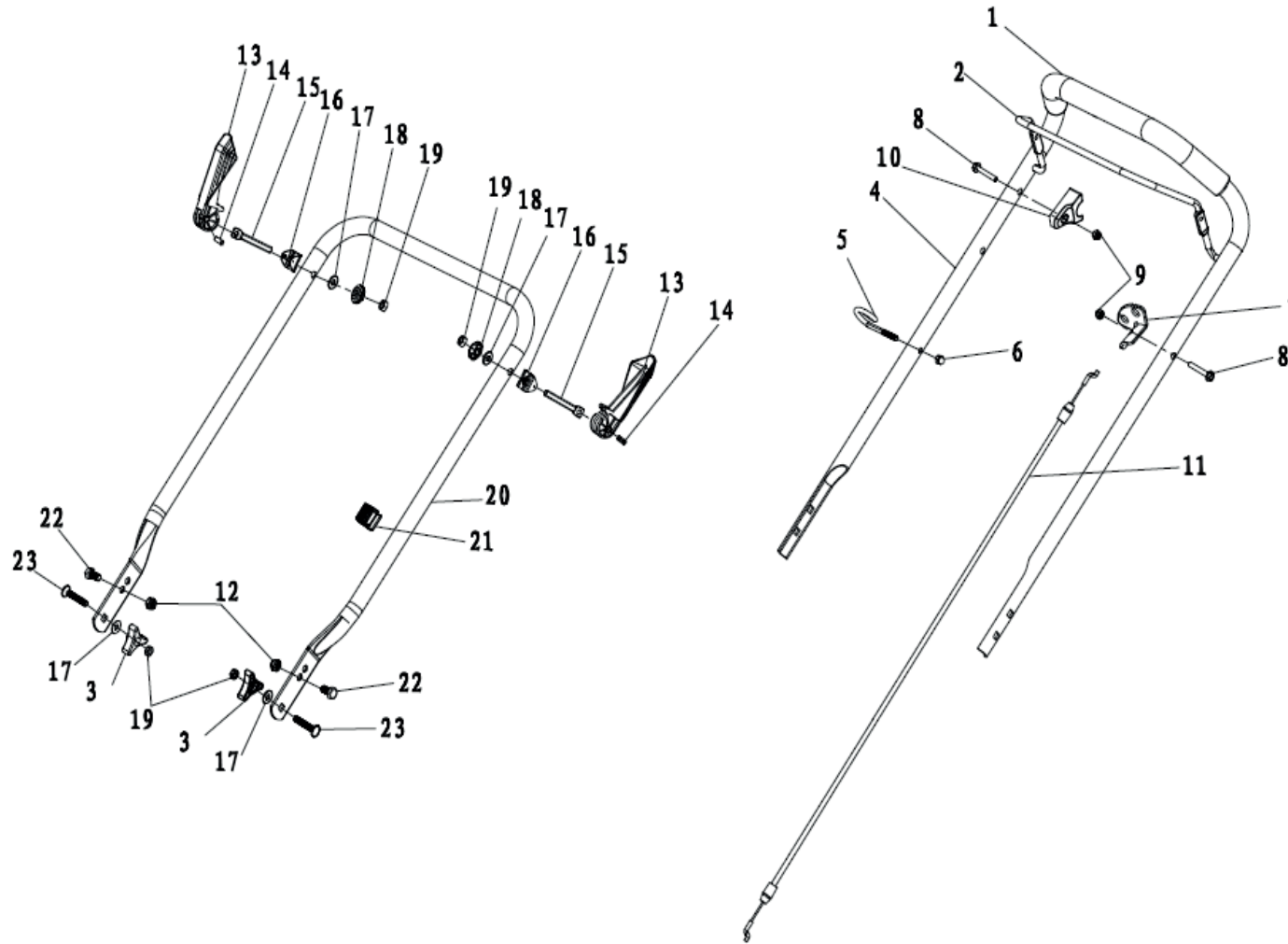



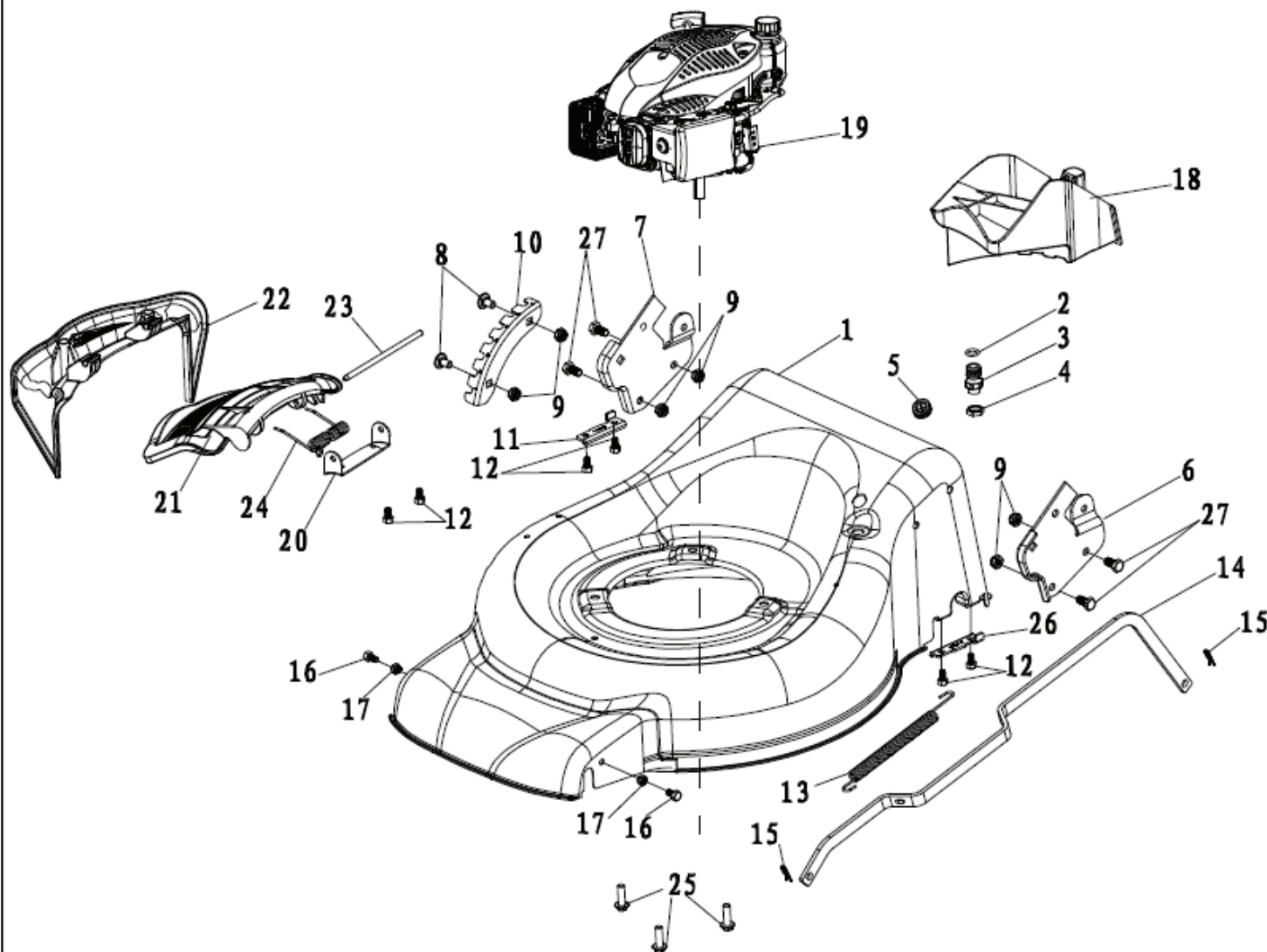
# DDE WYS18-WD65 (арт. 241-994)




№	PART No.	Наименование	Кол-во
1	20340060130	foam pipe	1
2	70540083280	stop lever	1
3	70550100280	Self-propelled Lever	1
4	70500232130	upper handrail	1
5	70230090000	Rope Guide	1
6	60130020000	Cap nut	1
7	70050120000	Brake Cable Assy plate	1
8	60060590000	Bolt	2
9	60150080000	Self-locking nut	2
10	20030030000	Plastic stopper	1
11	70810040000	brake cable	1
12	70780080000	selfpropelled cable	1
13	20580020050	quick fix knob	2
14	60190140000	flat washer	6
15	60250080000	Pin	2
16	60140080000	Hexagon nut	4
17	70520220130	lower handrail	1
18	20240020000	fastener	2
19	60040140000	Half round head square neck bolts	2
20	60110030000	heterotypic carriage bolts	2
21	60150020000	Hex lock nut	2
22	20040050280	triangle knob	2
23	20350010000	handrail stopper	2

 <b>DYNAMIC DRIVE EQUIPMENT</b>		DDE WYS18-WD65 (арт. 241-994)	
Technical department		Assembly drawing	
Engineer, chief designer		John Emerson Jr.	
DYNAMIC DRIVE EQUIPMENT, USA			Page 1

# DDE WYS18-WD65 (арт. 241-994)

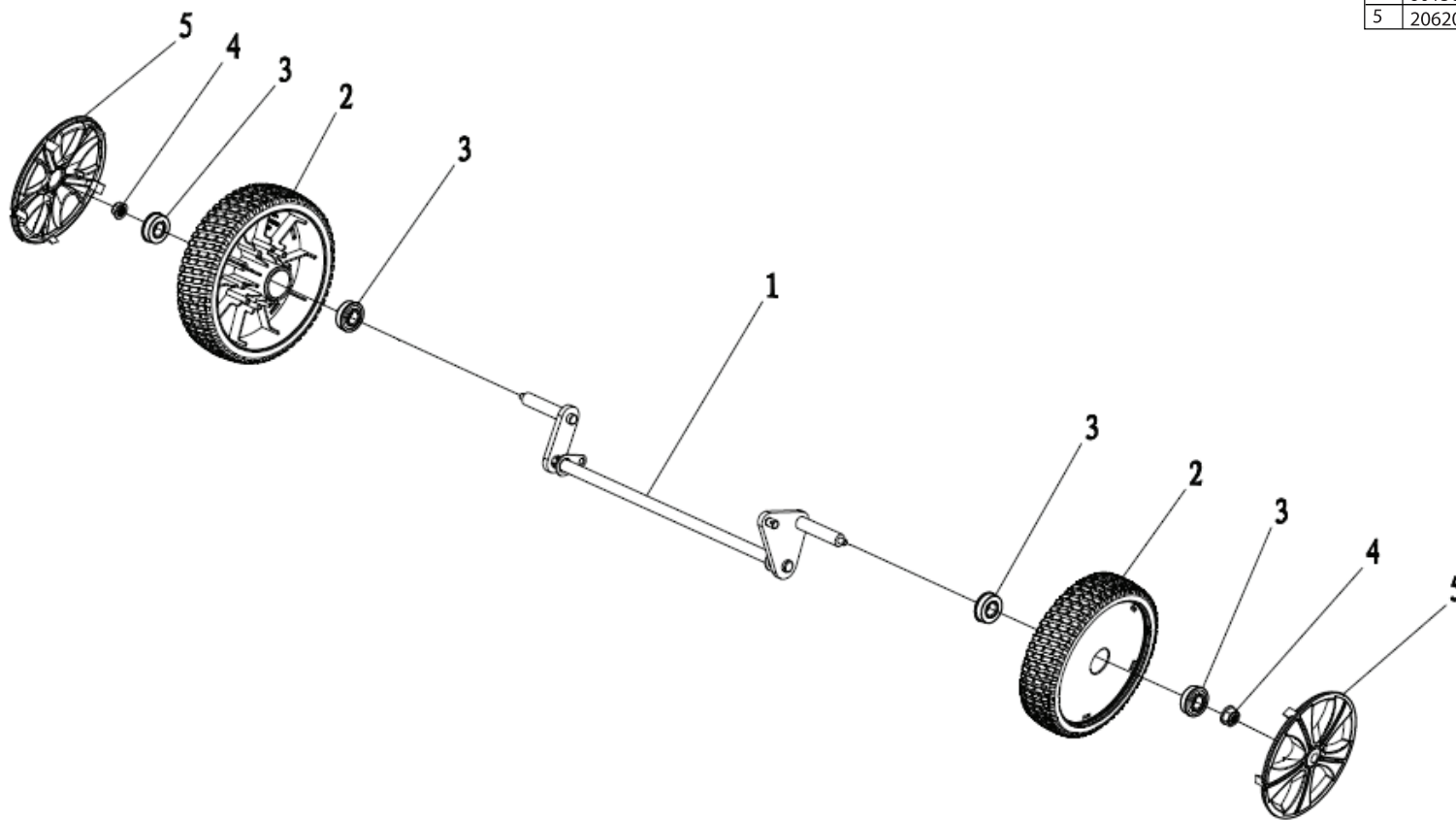



№	PART No.	Наименование	Кол-во
1	70740651280	deck welding assy	1
2	60370020000	"O" ring	1
3	20460010000	inlet	1
4	60160010000	Pipe connector nut	1
5	20590020000	cable stopper	1
6	70070290000	left handle bracket	1
7	70070300000	left handle bracket	1
8	60060420000	Hexagon head bolts	4
9	60150020000	Hex lock nut	4
10	70250100000	height adjustment board	1
11	70290050000	rear drive right bracket	1
12	60170400000	Hex tapping screws	6
13	60410080000	Pull Spring for Pull Rod	1
14	70180190000	Height Adjustment Pull Rod	1
15	60300030000	R type pin	2
16	60060660000	Bolt	2
17	60150080000	Self-locking nut	2
18	20160120000	mulching plug	1
19	19960120000	petrol engine	1
20	70060060280	Bracket plate for deflector	1
21	20120080000	mulching board	1
22	20110100000	side discharge cover	1
23	70030060000	Mulch Shaft	1
24	60390070000	mulch board spring	1
25	60060180000	Hex flange bolts	3
26	70290070000	rear drive left bracket	1
27	60040020000	Bolt	4

 <b>DYNAMIC DRIVE EQUIPMENT</b>		DDE WYS18-WD65 (арт. 241-994)	
Technical department		Assembly drawing	
Engineer, chief designer		John Emerson Jr.	
DYNAMIC DRIVE EQUIPMENT, USA			Page 2

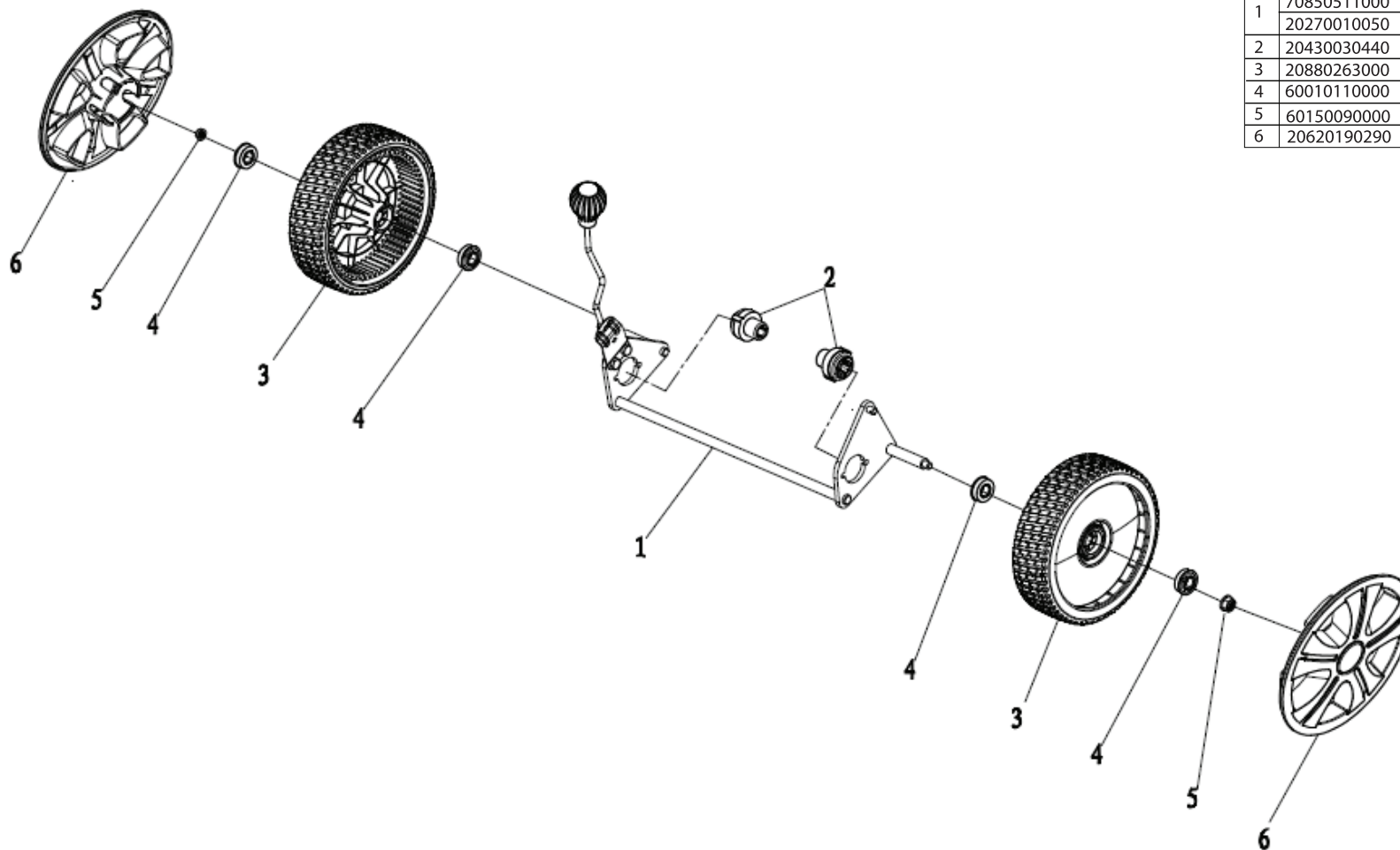
# DDE WYS18-WD65 (арт. 241-994)

№	PART No.	Наименование	Кол-во
1	70840170000	front drive assy	1
2	20880102000	wheel assy	2
3	60010110000	wheel punch bearing	4
4	60150090000	Self-locking nut	2
5	20620030290	outer cover of hub	2




		DDE WYS18-WD65 (арт. 241-994)	
Technical department		Assembly drawing	
Engineer, chief designer		John Emerson Jr.	
DYNAMIC DRIVE EQUIPMENT, USA			Page 3

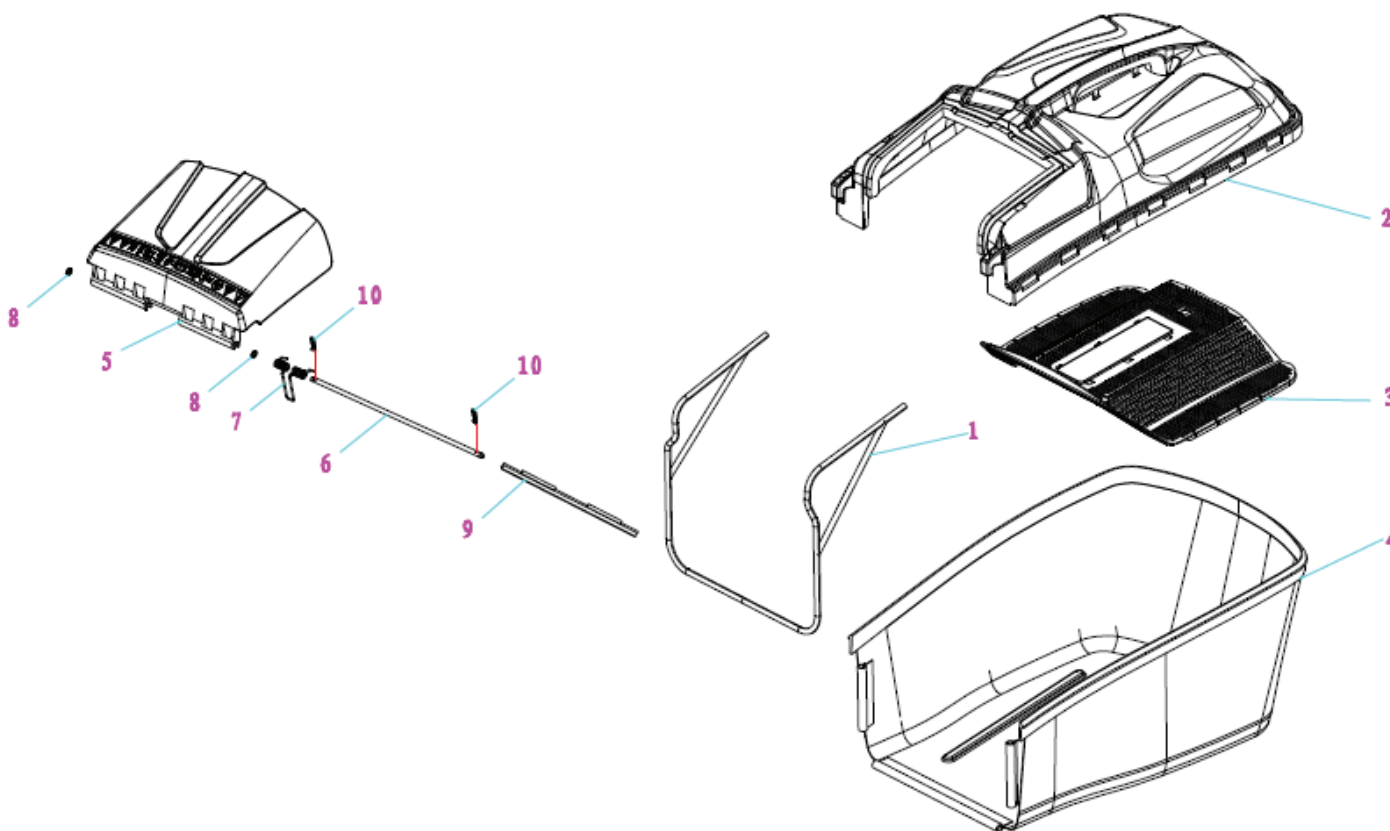
# DDE WYS18-WD65 (арт. 241-994)




№	PART No.	Наименование	Кол-во
1	70850511000	rear drive assy	1
	20270010050	height adjustment ball	1
2	20430030440	rear wheel axle sleeve	2
3	20880263000	wheel assy	2
4	60010110000	wheel punch bearing	4
5	60150090000	Self-locking nut	2
6	20620190290	outer cover of hub	2

		DDE WYS18-WD65 (арт. 241-994)	
Technical department		Assembly drawing	
Engineer, chief designer		John Emerson Jr.	
DYNAMIC DRIVE EQUIPMENT, USA			Page 4

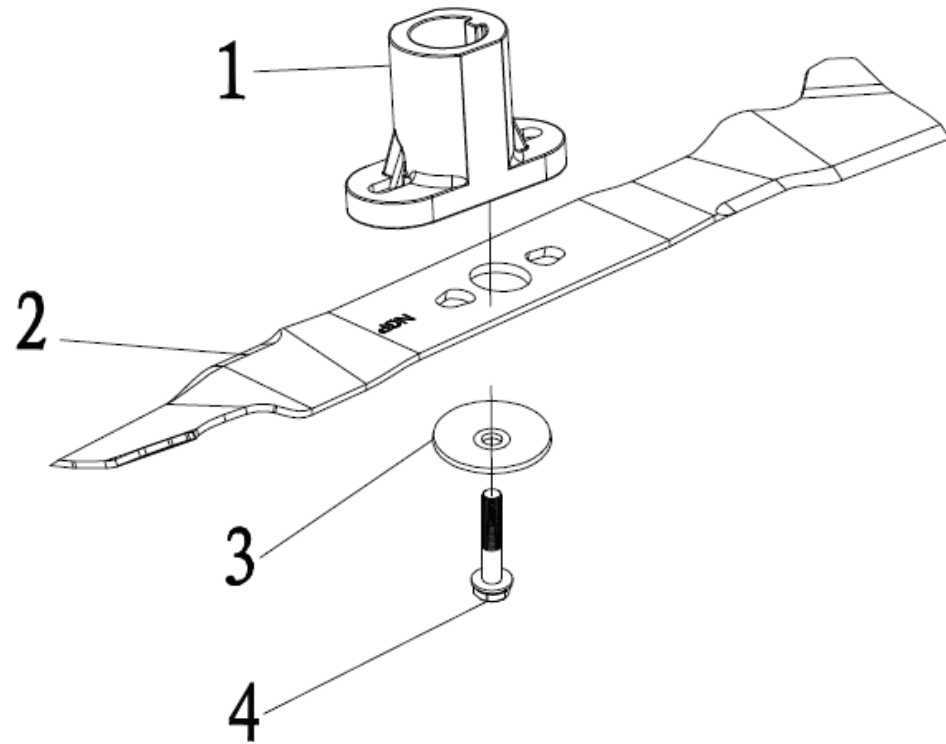
# DDE WYS18-WD65 (арт. 241-994)




№	PART No.	Наименование	Кол-во
1	70010070000	fabric metal frame	1
2	20080060000	top of grass box	1
3	21010010290	filter net of grass bag	1
4	20050080085	fabric grass bag	1
5	20380060000	rear discharge cover	1
6	70030050000	Shaft for rear discharge cover	1
7	60380240000	cover spring	1
8	60220010000	lock washer	2
9	20750070000	rear discharge cover dust proof board	1
10	60300030000	R type pin	2

		DDE WYS18-WD65 (арт. 241-994)	
Technical department		Assembly drawing	
Engineer, chief designer		John Emerson Jr.	
DYNAMIC DRIVE EQUIPMENT, USA			Page 5

# DDE WYS18-WD65 (арт. 241-994)




№	PART No.	Наименование	Кол-во
1	70140390000	Blade Adapter Assy	1
2	70130350000	Double-edge blade	1
3	70040070000	blade washer	1
4	60100030000	Inch hex flange bolts	1




		DDE WYS18-WD65 (арт. 241-994)	
Technical department		Assembly drawing	
Engineer, chief designer		John Emerson Jr.	
DYNAMIC DRIVE EQUIPMENT, USA			Page 6


# DDE WYS18-WD65 (apт. 241-994)

1	70140390000	Blade Adapter Assy	
2	70130350000	Double-edge blade	
3	20880263000	Wheel assy	

 <b>DYNAMIC DRIVE EQUIPMENT</b>		DDE WYS18-WD65 (apт. 241-994)
Technical department	Assembly drawing	
Engineer, chief designer	John Emerson Jr.	
DYNAMIC DRIVE EQUIPMENT, USA		Page 7


# DDE WYS18-WD65 (apт. 241-994)


4	20620190290	outer cover of hub	
5	20880102000	wheel assy	
6	20620030290	outer cover of hub	

		DDE WYS18-WD65 (apт. 241-994)
Technical department	Assembly drawing	
Engineer, chief designer	John Emerson Jr.	
DYNAMIC DRIVE EQUIPMENT, USA		Page 8







# DDE WYS18-WD65 (apт. 241-994)

7	20580020050	quick fix knob	
8	60250080000	Pin	
9	70220020000	Quick Fix Handle	

 <b>DYNAMIC DRIVE EQUIPMENT</b>		DDE WYS18-WD65 (apт. 241-994)
Technical department	Assembly drawing	
Engineer, chief designer	John Emerson Jr.	
DYNAMIC DRIVE EQUIPMENT, USA		Page 9


# DDE WYS18-WD65 (apт. 241-994)

10	70050180000	lock for fast fix handle	
11	60190140000	flat washer	
12	20720010050	lock nut	

		DDE WYS18-WD65 (apт. 241-994)
Technical department	Assembly drawing	
Engineer, chief designer	John Emerson Jr.	
DYNAMIC DRIVE EQUIPMENT, USA		Page 10

# DDE WYS18-WD65 (apт. 241-994)

13	60140080000	Hexagon nut	
----	-------------	-------------	---

 <b>DYNAMIC DRIVE EQUIPMENT</b>		DDE WYS18-WD65 (apт. 241-994)
Technical department	Assembly drawing	
Engineer, chief designer	John Emerson Jr.	
DYNAMIC DRIVE EQUIPMENT, USA		Page 11