



Illustrated Parts List

Model Series

10T600

TYPE NUMBER
0001 through 5745.

TABLE OF CONTENTS

Air Cleaner	5
Blower Housing/Shrouds	6
Brake	5
Camshaft	3
Carburetor	4
Controls	5
Crankcase Cover/Sump	3
Crankshaft	3
Cylinder	2
Cylinder Head	2
Exhaust System	5
Flywheel	6
Fuel Supply	4
Gasket Set - Engine	3
Gasket Set - Valve	3
Governor Spring	5
Ignition	5
Lubrication	2
Operator's Manual	2
Piston/Rings/Connecting Rod	3
Rewind Starter	6
Warning Label	2



PRINTED IN U.S.A.

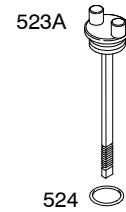
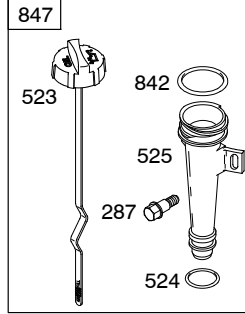
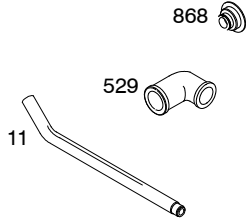
COPYRIGHT by BRIGGS & STRATTON CORPORATION
All rights reserved. No part of this material may be reproduced or transmitted, in any form or by any means, electronic or mechanical, including photocopying, recording or by any information storage and retrieval system, without permission in writing from Briggs & Stratton Corporation.

10T600

1319 WARNING LABEL



REQUIRED when replacing parts with warning labels affixed.



1319A WARNING LABEL



REQUIRED when replacing parts with warning labels affixed.

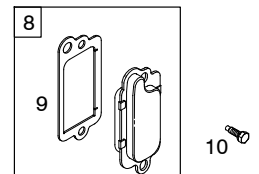
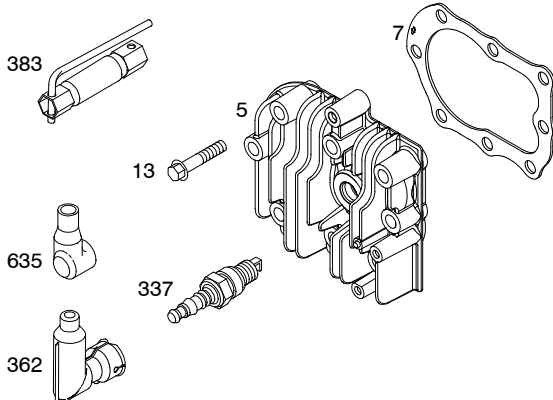
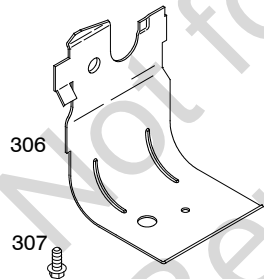
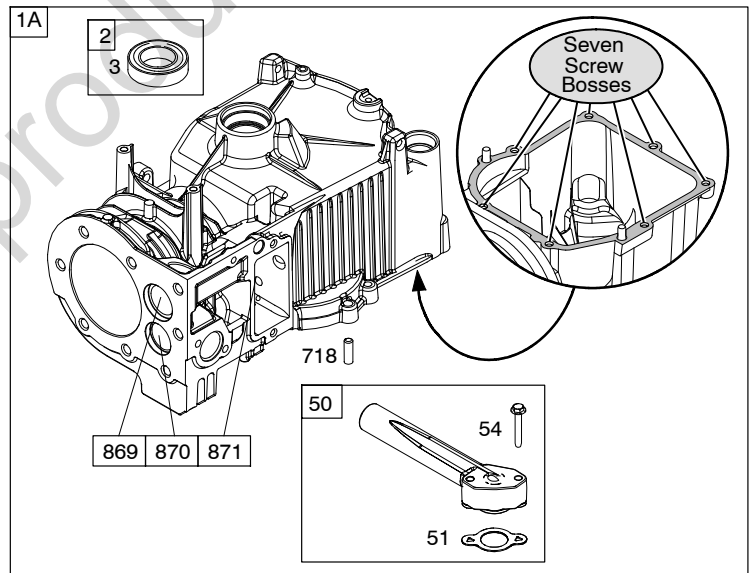
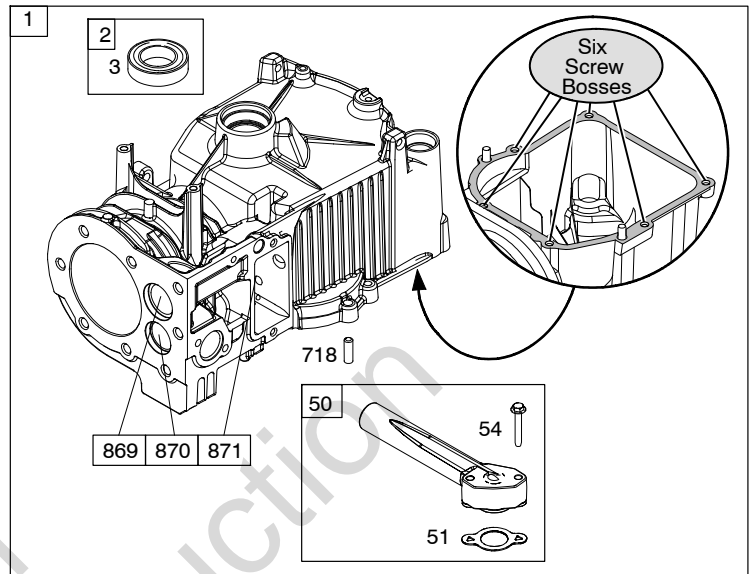
1058 OPERATOR'S MANUAL



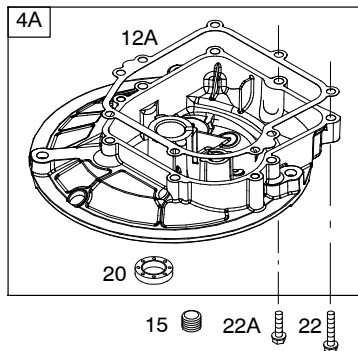
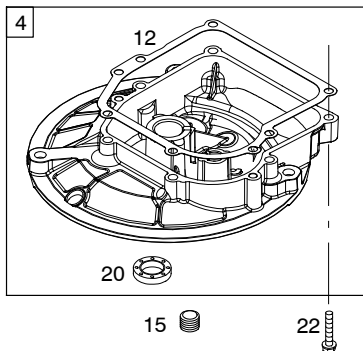
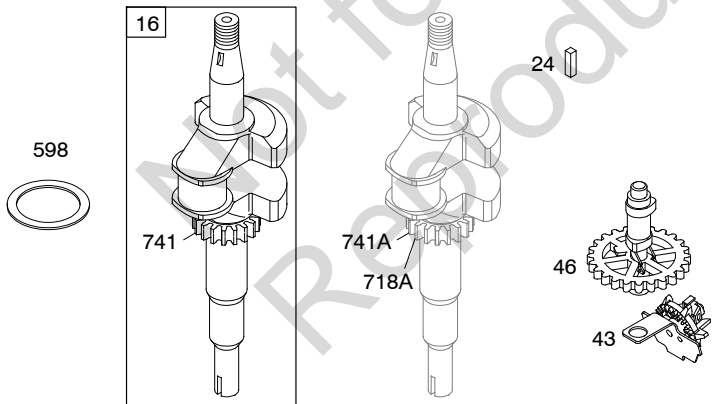
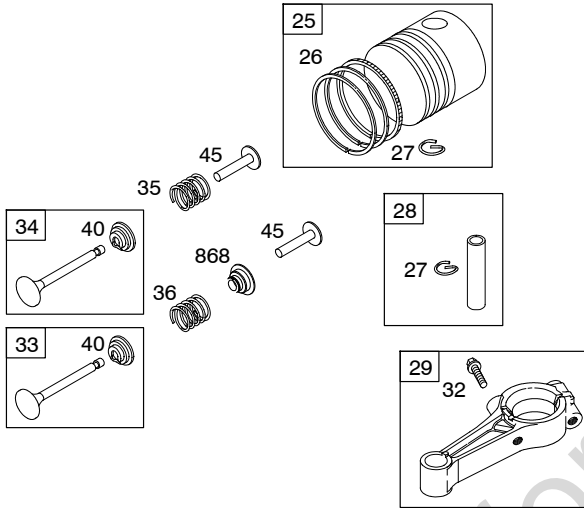
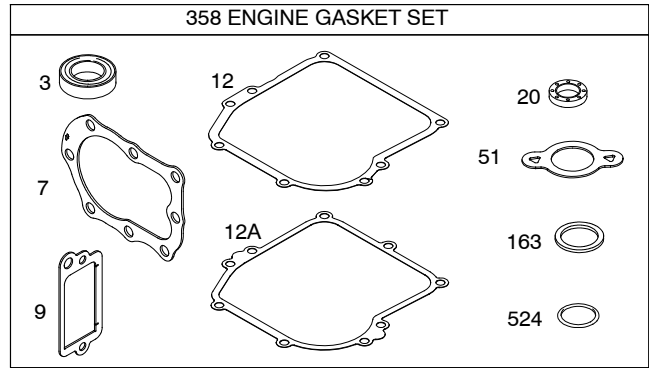
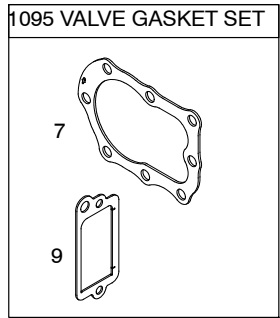
1330 REPAIR MANUAL



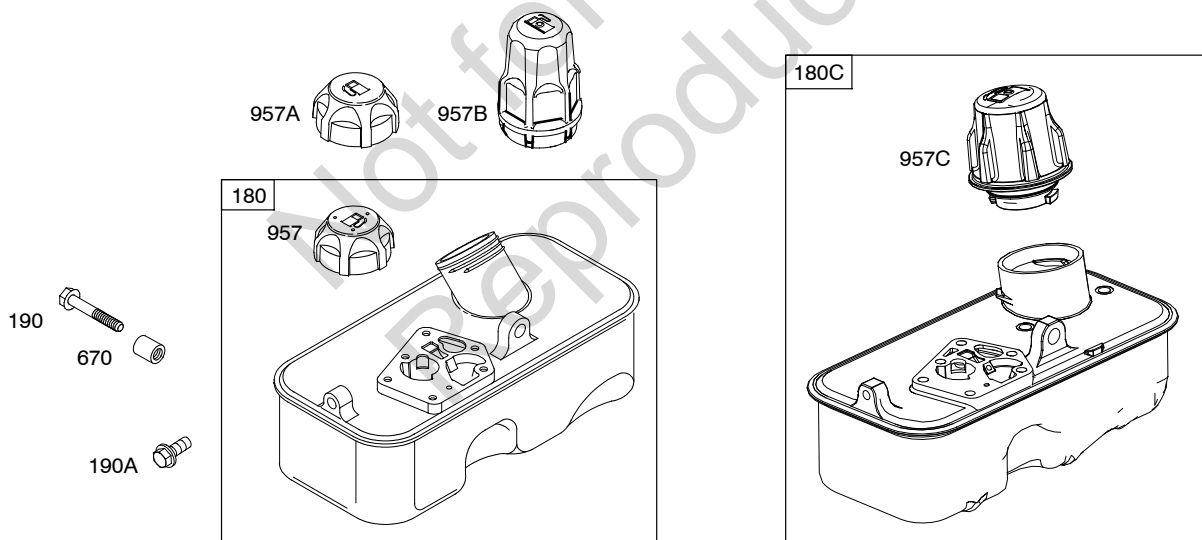
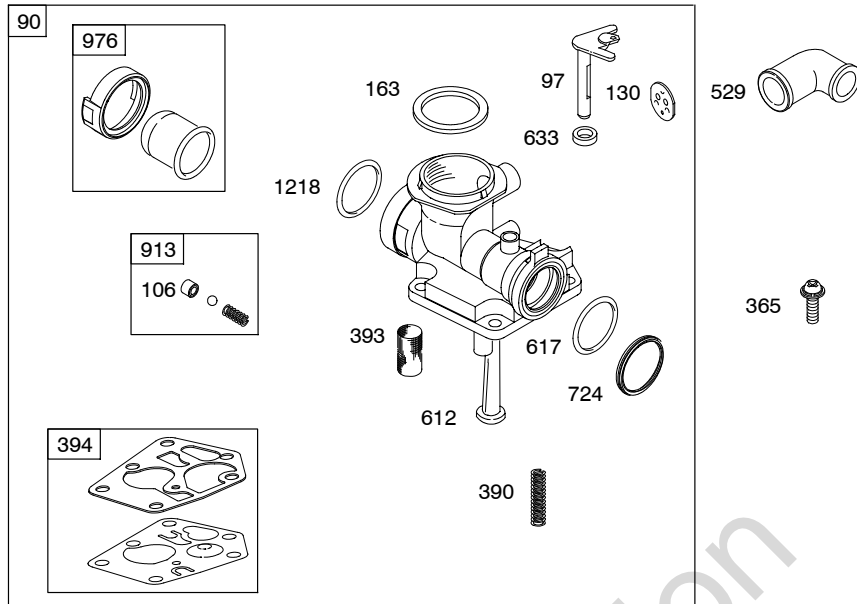
1036 EMISSIONS LABEL

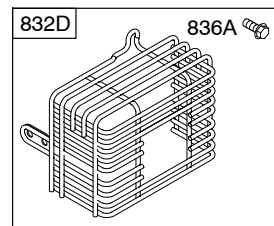
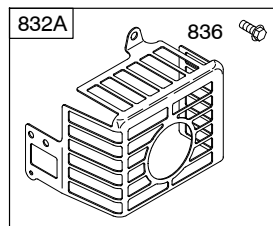
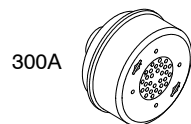
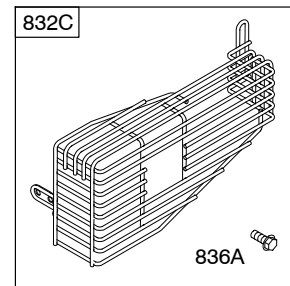
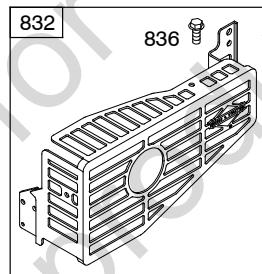
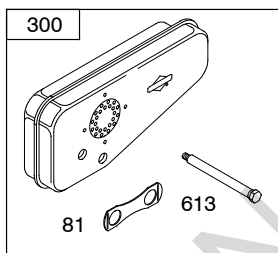
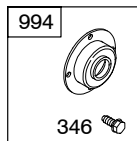
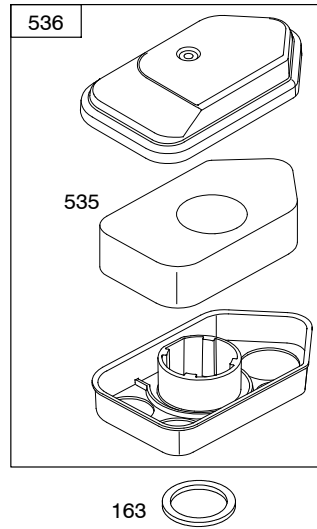
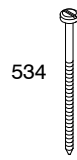


Illustrations cover a range of engines. Parts shown without corresponding text may not be used on your specific engine.
 3746-2 Assemblies include all parts shown in frames. 05/13/2014

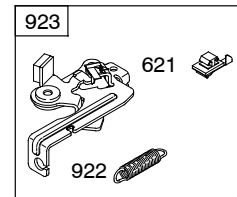
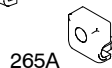
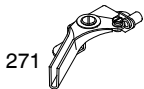
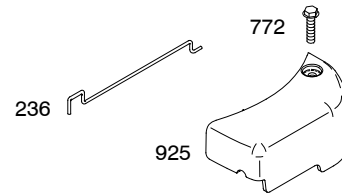
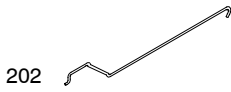
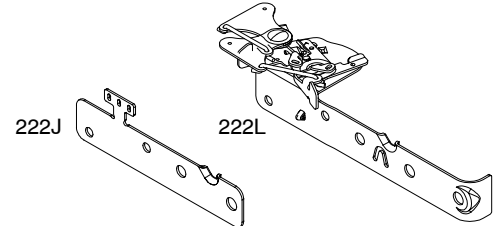
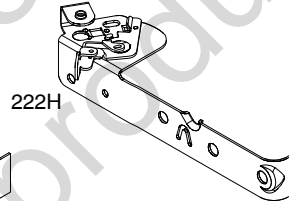
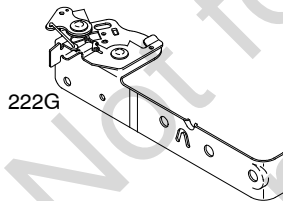
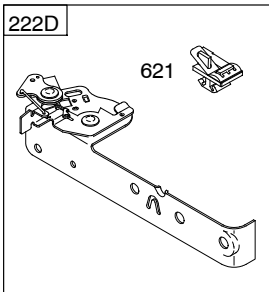
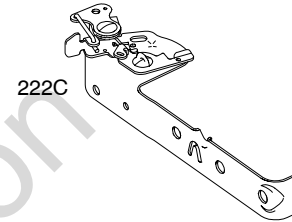
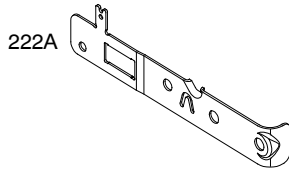
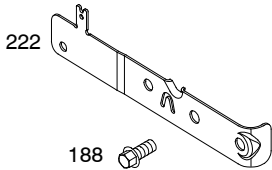
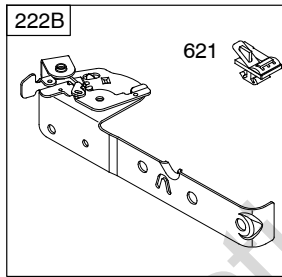
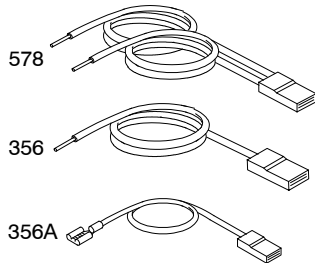
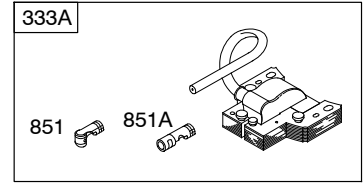
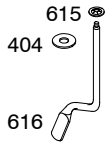
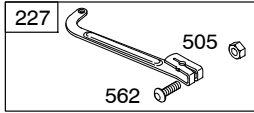


Illustrations cover a range of engines. Parts shown without corresponding text may not be used on your specific engine.
 3746-3 Assemblies include all parts shown in frames. 05/13/2014

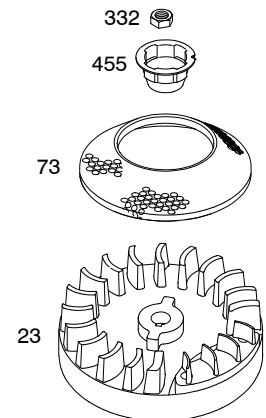
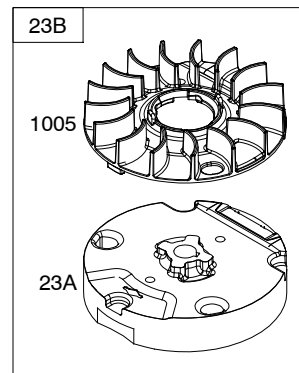
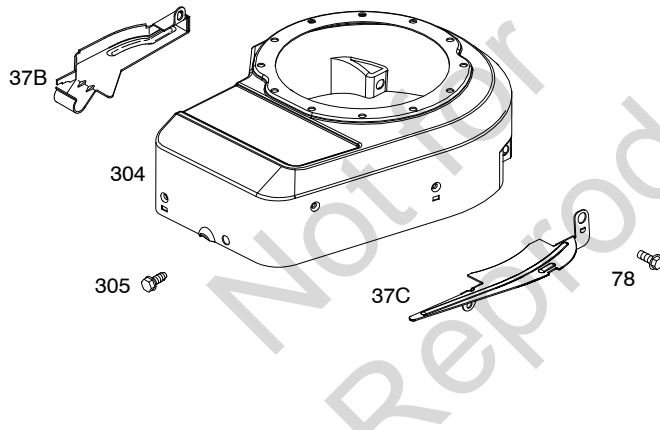
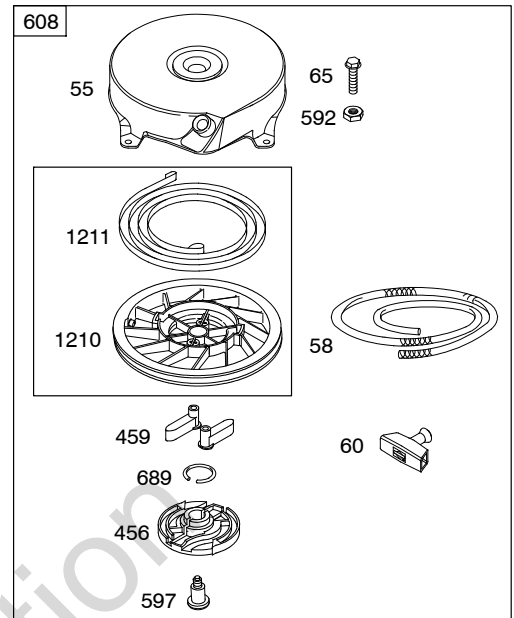
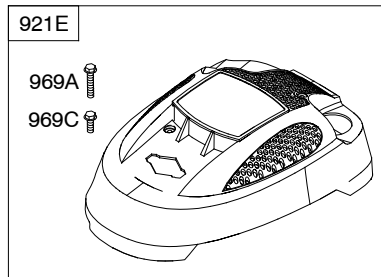
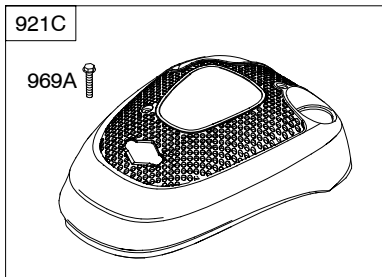
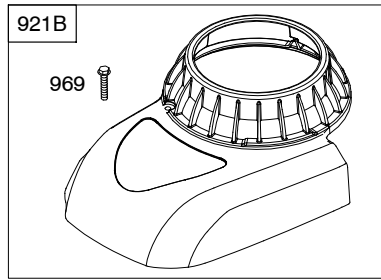
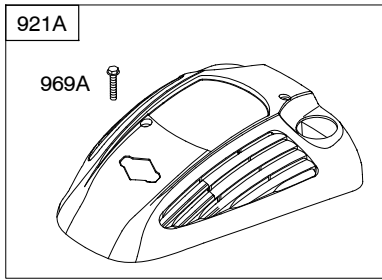




10T600



Illustrations cover a range of engines. Parts shown without corresponding text may not be used on your specific engine.
 3746-6 Assemblies include all parts shown in frames. 05/13/2014



10T600

REF. NO.	PART NO.	DESCRIPTION	REF. NO.	PART NO.	DESCRIPTION	REF. NO.	PART NO.	DESCRIPTION
1	699650	Cylinder Assembly (Engines with 6 Sump Screws)	15	691680	Plug-Oil Drain	26	795690	Ring Set (Standard)
1A	590770	Cylinder Assembly (Engines with 7 Sump Screws)	16	796217	Crankshaft			----- Note -----
2	796961	Kit-Bushing/Seal (Magneto Side)			----- Note -----			----- Note -----
3	299819s	Seal-Oil (Magneto Side)			796218 Crankshaft Used on Type No(s). 0111, 0112, 0114, 0115, 0119, 0122, 0125, 0181, 0183, 0556, 0745, 0973, 3119, 3181, 3183, 5745.	27	691588	Lock-Piston Pin
4	798264	Sump-Engine (Engines with 6 Sump Screws)			796216 Crankshaft Used on Type No(s). 0001, 0128, 0135, 0143, 0146, 0194, 0195, 0199, 3135, 3143.	28	699659	Pin-Piston
4A	590569	Sump-Engine (Engines with 7 Sump Screws)				29	699654	Rod-Connecting
5	790169	Head-Cylinder	20	391483s	Seal-Oil (PTO Side)	32	691664	Screw (Connecting Rod)
7	698717	Gasket-Cylinder Head				33	296676	Valve-Exhaust
8	791781	Breather Assembly	22	692551	Screw (Crankcase Cover/Sump)	34	296677	Valve-Intake
9	695890	Gasket-Breather				35	690520	Spring-Valve (Intake)
10	691666	Screw (Breather Assembly)	22A	590763	Screw (Crankcase Cover/Sump)	36	690520	Spring-Valve (Exhaust)
11	691245	Tube-Breather				37B	697403	Guard-Flywheel (Carburetor Side)
12	692218	Gasket-Crankcase (.015" Thick) (Engines with 6 Sump Screws)	23	799682	Flywheel	37C	793748	Guard-Flywheel (Muffler Side)
		----- Note -----			----- Note -----	40	692194	Retainer-Valve
		270895 Gasket- Crankcase (.005" Thick) (Engines with 6 Sump Screws)			----- Note -----	43	697799	Slinger-Governor/Oil
		270896 Gasket- Crankcase (.009" Thick) (Engines with 6 Sump Screws)	23A	592003	Flywheel (For Replacement Flywheel, Order Reference 23B) Used on Type No(s). 0111, 0112, 0116, 0125, 0128, 0137, 0143, 3137, 3143.	45	691762	Tappet-Valve
			23B	592370	Flywheel	46	691998	Camshaft
			24	222698s	Key-Flywheel	50	699644	Manifold-Intake
12A	799587	Gasket-Crankcase (Engines with 7 Sump Screws)	25	795691	Piston Assembly (Standard)	51	699649	Gasket-Intake
					----- Note -----	54	691111	Screw (Intake Manifold)
					795689 Piston Assembly (.020" Oversize)	55	692144	Housing-Rewind Starter
13	691640	Screw (Cylinder Head)				58	697316	Rope-Starter (88 5/8" Long)
								----- Note -----
								691921 Rope-Starter (70" Long) Used on Type No(s). 0111, 0112, 0116, 0125, 0128, 0137, 3137.
						60	691915	Grip-Starter Rope
						65	690837	Screw (Rewind Starter)

Illustrations cover a range of engines. Parts shown without corresponding text may not be used on your specific engine.
3746-8 Assemblies include all parts shown in frames. 05/13/2014

REF. NO.	PART NO.	DESCRIPTION	REF. NO.	PART NO.	DESCRIPTION	REF. NO.	PART NO.	DESCRIPTION
73	699850	Screen-Rotating	222A	792240	Bracket-Control	270	691027	Nut
78	692198	Screw (Flywheel Guard)			Used on Type No(s). 0111, 0112, 0143, 3143.			(Control Wire Casing)
81	691179	Lock-Muffler Screw	222B	699326	Bracket-Control	271	691028	Lever-Control
90	795475	Carburetor			Used on Type No(s). 0116, 0128, 0556, 0745, 0973, 5745.	287	691002	Screw (Dipstick Tube)
97	697414	Shaft-Throttle	222C	795390	Bracket-Control	300	692307	Muffler (Super Lo Tone)
106	691901	Seat-Inlet			Used on Type No(s). 0124, 0130, 0131, 0132, 0133, 0135, 0142, 0181, 0182, 0183, 0185, 0187, 3130, 3131, 3132, 3133, 3135, 3142, 3145, 3181, 3182, 3183.	300A	394569s	Muffler (Round Lo Tone)
130	691190	Valve-Throttle	222D	699577	Bracket-Control	304	697411	Housing-Blower (Compliance Engines)
163	271139s	Gasket-Air Cleaner			Used on Type No(s). 0125, 0137, 3137.			----- Note ----- 790297 Housing- Blower (Non Compliance Engines) Used on Type No(s). 0116, 0125, 0128, 0137, 0140, 0143, 0144, 0145, 0146, 0184, 0189, 0194, 0195, 0201, 0556, 0745, 0973, 3137, 3140, 3143, 3144, 3184, 5745. 791392 Housing- Blower (Non Compliance Engines) Used on Type No(s). 0111, 0112.
180	494406	Tank-Fuel	222G	794780	Bracket-Control			
180C	795473	Tank-Fuel Used on Type No(s). 0127.			Used on Type No(s). 0110, 0140, 0144, 0145, 0146, 0184, 0189, 0201, 3140, 3144, 3184.			
188	692198	Screw (Control Bracket)	222H		Bracket-Control (For Replacement Control Bracket Order Reference 222J)	305	692198	Screw (Blower Housing)
190	691640	Screw (Fuel Tank) (1 3/4" Long)	222J	798686	Bracket-Control	306	690400	Shield-Cylinder (Used Before Code Date 06101100).
190A	691108	Screw (Fuel Tank) (9/16" Long)	222L	591905	Bracket-Control Used on Type No(s). 0194, 0195.	307	690345	Screw (Cylinder Shield) (Used Before Code Date 06101100).
202	698835	Link-Mechanical Governor	227	697402	Lever-Governor Control	332	690662	Nut (Flywheel)
209	698726	Spring-Governor ----- Note ----- 790220 Spring- Governor Used on Type No(s). 0111, 0112, 0116, 0187. 698719 Spring- Governor Used on Type No(s). 0110, 0114, 0115, 0119, 0121, 0122, 0127, 0128, 0141, 0143, 0144, 0146, 0147, 0149, 0184, 0194, 0195, 0201, 0556, 0745, 0916, 0973, 1085, 3119, 3143, 3144, 3184, 4022, 4222, 4316, 4457, 5745.	236	591292	Link-Lockout	333A	591420	Armature-Magneto
		Bracket-Control (For Replacement Control Bracket, Order Reference 222J)	265	692179	Clamp-Casing	334	691061	Screw (Magneto Armature)
			265A	690798	Clamp-Casing	337	796112s	Plug-Spark ----- Note ----- 697451 Plug-Spark Used on Type No(s). 0110, 0147, 0187, 0973.
			265B	691024	Clamp-Casing			
			267	691044	Screw (Casing Clamp)			
			268	691025	Casing-Control Wire (Cut To Required Length)			
			269	691026	Wire-Control (Cut To Required Length)			

Illustrations cover a range of engines. Parts shown without corresponding text may not be used on your specific engine.
3746-9 Assemblies include all parts shown in frames. 05/13/2014

10T600

REF. NO.	PART NO.	DESCRIPTION	REF. NO.	PART NO.	DESCRIPTION	REF. NO.	PART NO.	DESCRIPTION
346	690661	Screw (Spark Arrester)	459	281505s	Pawl-Ratchet	633	691321	Seal-Choke/Throttle Shaft (Throttle)
347	691396	Switch-Rocker	505	691251	Nut (Governor Control Lever)	635	66538s	Boot-Spark Plug Used on Type No(s). 0110, 0111, 0114, 0147, 0149, 0187, 0556, 0705, 0745, 0916, 0973, 1085, 3705, 4022, 4316, 4457, 5745.
356	692390	Wire-Stop	523	692040	Dipstick	670	691633	Spacer-Fuel Tank
356A	693010	Wire-Stop Used on Type No(s). 0111, 0112, 0143, 3143.	523A	691913	Dipstick Used on Type No(s). 0113, 0114, 0115, 0119, 0120, 0193, 0916, 3119, 3120, 4457.	689	691855	Spring-Friction
358	590777	Gasket Set-Engine	524	691876	Seal-Dipstick Tube	718	690959	Pin-Locating (Cylinder)
362	793351	Shield-Spark Plug Used on Type No(s). 0001, 0112, 0113, 0115, 0116, 0117, 0119, 0120, 0121, 0122, 0124, 0125, 0127, 0128, 0130, 0131, 0132, 0133, 0135, 0136, 0137, 0140, 0141, 0142, 0143, 0144, 0145, 0146, 0150, 0181, 0182, 0183, 0184, 0185, 0189, 0191, 0193, 0194, 0195, 0196, 0199, 0201, 1010, 1622, 3117, 3119, 3120, 3130, 3131, 3132, 3133, 3135, 3137, 3140, 3142, 3143, 3144, 3145, 3181, 3182, 3183, 3184.	525	691320	Tube-Dipstick	718A	499047	Pin-Locating (Crankshaft)
			529	692189	Grommet	724	697478	Retainer-Seal
			534	691417	Screw (Air Cleaner)	729	690586	Clip-Wire
			535	698369	Filter-Air Cleaner Foam	741	796210	Gear-Timing (Plastic)
			536	698472	Cleaner-Air	741A	691805	Gear-Timing (Metal)
			562	691119	Bolt (Governor-Control Lever)	745	691146	Screw (Brake) (7/8" Long)
			578	590800	Wire Assembly Used on Type No(s). 0110.	745A	690859	Screw (Brake) (1/2" Long)
			592	690800	Nut (Rewind Starter)	772	691111	Screw (Linkage Cover)
			597	691696	Screw (Pawl Friction Plate)	832	699299	Guard-Muffler (Super Lo Tone)
			598	593291	Shim-End Play (Crankshaft or Camshaft Bearing)	832A	699670	Guard-Muffler (Round Lo Tone)
			608	499706	Starter-Rewind (88 5/8" Rope)	832C	790743	Guard-Muffler
					----- Note -----	832D	790744	Guard-Muffler
					690101 Starter- Rewind (70" Rope) Used on Type No(s). 0111, 0112, 0116, 0125, 0128, 0137, 3137.	836	690664	Screw (Muffler Guard) (13/32" Long)
363	19069	Puller-Flywheel	612	496046s	Tube-Pick Up	836A	790745	Screw (Muffler Guard) (1/2" Long)
365	790029	Screw (Carburetor)	613	691413	Screw (Muffler)	836B	691125	Screw (Muffler Guard) (5/8" Long)
383	89838s	Wrench-Spark Plug	615	690340	Retainer-Governor Shaft	842	691870	Seal-O Ring (Dipstick Tube)
390	691839	Spring-Choke Diaphragm	616	697405	Crank-Governor			
393	691837	Screen-Carburetor	617	270344s	Seal-O Ring (Intake Manifold)			
394	795083	Diaphragm-Carburetor ----- Note ----- 795478 Diaphragm -Carburetor Used on Type No(s). 0127.	621	692310	Switch-Stop (Brake)			
404	690272	Washer (Governor Crank)						
455	691236	Cup-Flywheel						
456	692299	Plate-Pawl Friction						

Illustrations cover a range of engines. Parts shown without corresponding text may not be used on your specific engine.

REF. NO.	PART NO.	DESCRIPTION	REF. NO.	PART NO.	DESCRIPTION	REF. NO.	PART NO.	DESCRIPTION
847	691440	Dipstick/Tube Assembly	957B	792878	Cap-Fuel Tank Used on Type No(s). 0111, 0112, 0125, 0128, 0143, 3143.	969C	799015	Screw Used on Type No(s). 0195.
851	493880s	Terminal-Spark Plug				976	694394	Primer-Carburetor
851A	692424	Terminal-Spark Plug				994	792245	Arrester-Spark
868	697338	Seal-Valve	957C	795472	Cap-Fuel Tank Used on Type No(s). 0127.	1005	592366	Fan-Flywheel
869	699641	Seat-Valve (Intake)				1036		Label-Emissions (Available From A Briggs & Stratton Authorized Dealer)
870	699642	Seat-Valve (Exhaust)	969	799013	Screw (Blower Housing Cover) Used on Type No(s). 0113, 0114, 0115, 0143, 0147, 0149, 0187, 0191, 0705, 0745, 0916, 0973, 1010, 1085, 1622, 3143, 3705, 4022, 4316, 4457, 5745.	1058		277038TRI Manual-Operator's ----- Note ----- 277038EST Manual-Operator's 277038WST Manual-Operator's
871	699643	Bushing-Valve Guide (Exhaust Valve) ----- Note ----- 63709 Bushing-Valve Guide (Intake Valve)				1095	498526	Gasket Set-Valve
883	691880	Gasket-Exhaust				1210	499901	Pulley/Spring Assembly (Pulley)
913	494409	Seat-Check Valve				1211	499901	Pulley/Spring Assembly (Spring)
921A	793973	Cover-Blower Housing	969A	799014	Screw (Blower Housing Cover) ----- Note ----- 799014 Screw (Blower Housing Cover) (Used After Code Date 10061300)	1218	695866	Seal-O Ring Assembly (Carburetor)
921B	699796	Cover-Blower Housing Used on Type No(s). 0113, 0114, 0115, 0143, 0147, 0149, 0187, 0191, 0705, 0745, 0916, 0973, 1010, 1085, 1622, 3143, 3705, 4022, 4316, 4457, 5745.				1319	794467	Label-Warning
921C	792273	Cover-Blower Housing Used on Type No(s). 0131, 0133, 0150, 0196, 3131, 3133, 3145.				1319A	797669	Label-Warning
921E	796066	Cover-Blower Housing Used on Type No(s). 0195.				1330	270962	Repair Manual
922	692135	Spring-Brake						
923	691487	Brake						
925	691349	Cover-Linkage						
957	497929s	Cap-Fuel Tank						
957A	791129	Cap-Fuel Tank Used on Type No(s). 0116.						

Illustrations cover a range of engines. Parts shown without corresponding text may not be used on your specific engine.
3746-11 Assemblies include all parts shown in frames. 05/13/2014

Not for
Reproduction

