

AN5860, AN5860S

Analog Switch ICs for RGB Interface

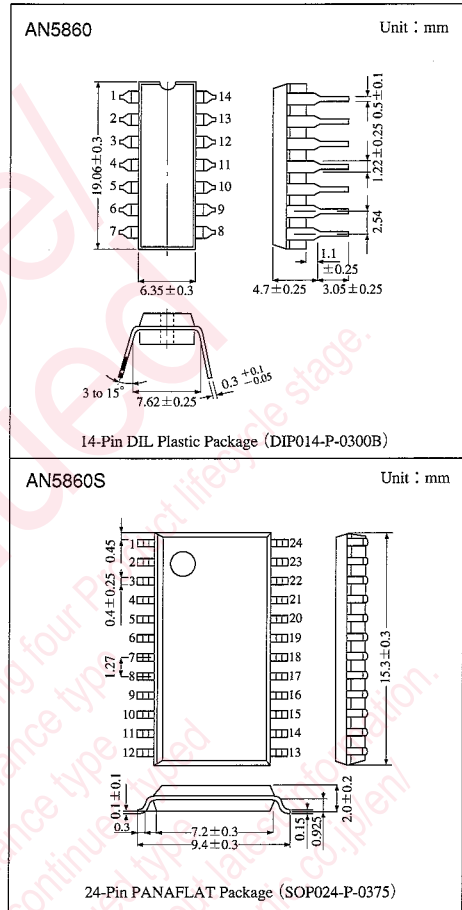
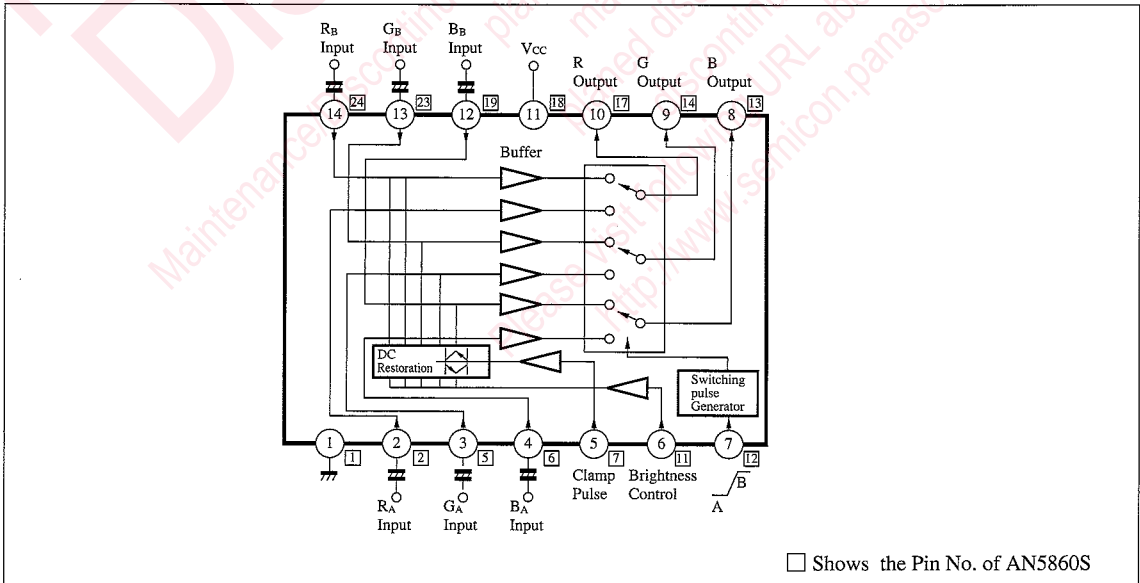
Overview

The AN5860 and the AN5860S are the integrated circuits designed for high-speed analog switch circuits for RGB signal processing.

Features

- Wide band Characteristics ($>20\text{MHz}$)
- High speed switching characteristics (t_{dr} (typ.), t_{df} (typ.) ; 35ns)
- Brightness is DC-controlled

Block Diagram



Pin Descriptions

Pin No.	Pin name	Pin No.	Pin name
1(1)	GND	8(13)	B output
2(2)	R _A input	9(14)	G output
3(5)	G _A input	10(17)	R output
4(6)	B _A input	11(18)	V _{CC}
5(7)	Clamp pulse input	12(19)	B _B input
6(11)	Brightness control	13(23)	G _B input
7(12)	Switching pulse input	14(24)	R _B input

Note : In case of AN5860S, Pin No. ③, ④, ⑧, ⑨, ⑩, ⑮, ⑯, ⑳, ㉑, ㉒, are NC

Absolute Maximum Ratings (Ta = 25°C)

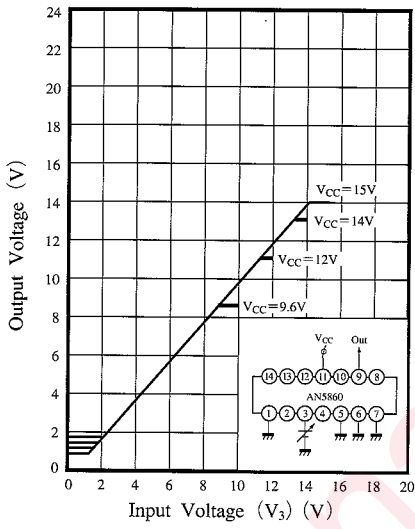
Parameter		Symbol	Rating		Unit
Voltage	Supply voltage	V _{CC}	13.8 (13.0)		V
	Circuit current	V ₁₁₋₁ (V ₁₈₋₁)	0	13.8 (13.0)	V
		V _{2,3,4,12,13,14} (V _{2,5,6,19,23,24})	0	V ₁₁₋₁ (V ₁₈₋₁)	V
		V ₅₋₁ (V ₇₋₁)	-1	6 (V ₁₈₋₁)	V
		V ₆₋₁ (V ₁₁₋₁)	3 (0)	9	V
		V ₇₋₁ (V ₁₂₋₁)	0	6 (V ₁₈₋₁)	V
Circuit voltage	I _{8,9,10} (I _{13,14,17})	-10	2	mA	
Power dissipation (Ta = 70°C)		P _D	AN5860	560	mW
			AN5860S	490	
Temperature	Operating ambient temperature	T _{opr}	-20 to +70		°C
	Storage temperature	T _{stg}	AN5860	-55 to +150	°C
			AN5860S	-55 to +125	

() shows the Pin No. of AN5860S

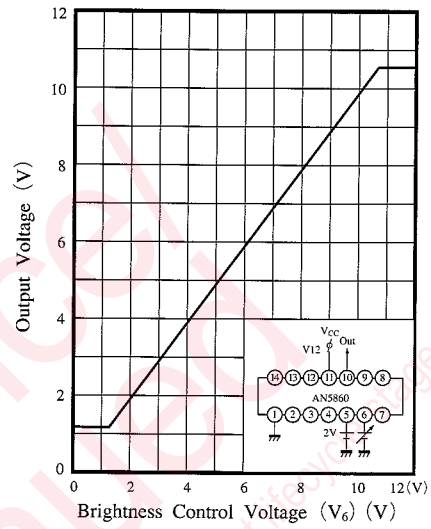
Electrical Characteristics (Ta = 25°C)

Parameter	Symbol	Condition	min	typ	max	Unit
Operating supply voltage range	V _{CC(opr)}		9.6	12.0	13.8	V
Total circuit current	I _{tot}	V _{CC} = 12V, V ₅ : input pulse 1V _{P-P}	19	26.5	34	mA
DC voltage difference between outputs	ΔV _{RGB}	V _{CC} = 12V, V ₇ = 1V, 0V	—	0	±100	mV
Switching output DC voltage difference	ΔV _{A-B}	V _{CC} = 12V, V ₇ = 1V, 0V	—	0	±30	mV
Input/Output dynamic range for signals (upper)	D.R _{max}	V _{CC} = 12V	—	—	10.5	V
Input/Output dynamic range for signals (lower)	D.R _{min}	V _{CC} = 12V	1.7	—	—	V
Output terminal sink current	I _{SINC}	V _{CC} = 12V, input voltage 6V	—	—	0.8	mA
Voltage amplification for signals	A _v	f _{in} = 1MHz, 1V _{P-P}	0.9	1	1.1	times
Frequency characteristics for signals	f _{-3dB}	e _{in} = 1V _{P-P}	20	—	—	MHz
DC level difference of pedestal level for signals	ΔE _{TO}	Input pulse 1V _{P-P} , V ₆ : 7V	—	0	±100	mV
Switching crosstalk	CT _{A/B}	f _{in} = 1MHz, 1V _{P-P}	—	—	-40	dB
Signal rise time	t _r	f _{in} = 1MHz, 1V _{P-P}	—	20	40	ns
Signal fall time	t _f	f _{in} = 1MHz, 1V _{P-P}	—	20	40	ns
Signal rise delay time	t _{dr}	f _{in} = 1MHz, 1V _{P-P}	—	10	30	ns
Signal fall delay time	t _{df}	f _{in} = 1MHz, 1V _{P-P}	—	10	30	ns
Switching delay time	t _{dr(A/B)}	Switching pulse 1V _{P-P}	—	35	60	ns
	t _{df(A/B)}	Switching pulse 1V _{P-P}	—	35	60	ns
Switching pulse standard input	V _{SWP}	V _{CC} = 12V	—	1	—	V _{O-P}
Clamp pulse standard input	V _{CLP}	V _{CC} = 12V	—	2	—	V _{O-P}

Input/Output Characteristics



Brightness Control Characteristics



Maintenance/Discontinued

includes following four Product types

planned maintenance type

maintenance type

planned discontinued type

discontinued type

Please visit following URL about latest information.

<http://www.semicon.panasonic.co.jp/en/>

Request for your special attention and precautions in using the technical information and semiconductors described in this book

- (1) If any of the products or technical information described in this book is to be exported or provided to non-residents, the laws and regulations of the exporting country, especially, those with regard to security export control, must be observed.
- (2) The technical information described in this book is intended only to show the main characteristics and application circuit examples of the products. No license is granted in and to any intellectual property right or other right owned by Panasonic Corporation or any other company. Therefore, no responsibility is assumed by our company as to the infringement upon any such right owned by any other company which may arise as a result of the use of technical information described in this book.
- (3) The products described in this book are intended to be used for standard applications or general electronic equipment (such as office equipment, communications equipment, measuring instruments and household appliances).
Consult our sales staff in advance for information on the following applications:
 - Special applications (such as for airplanes, aerospace, automobiles, traffic control equipment, combustion equipment, life support systems and safety devices) in which exceptional quality and reliability are required, or if the failure or malfunction of the products may directly jeopardize life or harm the human body.
 - Any applications other than the standard applications intended.
- (4) The products and product specifications described in this book are subject to change without notice for modification and/or improvement. At the final stage of your design, purchasing, or use of the products, therefore, ask for the most up-to-date Product Standards in advance to make sure that the latest specifications satisfy your requirements.
- (5) When designing your equipment, comply with the range of absolute maximum rating and the guaranteed operating conditions (operating power supply voltage and operating environment etc.). Especially, please be careful not to exceed the range of absolute maximum rating on the transient state, such as power-on, power-off and mode-switching. Otherwise, we will not be liable for any defect which may arise later in your equipment.
 - Even when the products are used within the guaranteed values, take into the consideration of incidence of break down and failure mode, possible to occur to semiconductor products. Measures on the systems such as redundant design, arresting the spread of fire or preventing glitch are recommended in order to prevent physical injury, fire, social damages, for example, by using the products.
- (6) Comply with the instructions for use in order to prevent breakdown and characteristics change due to external factors (ESD, EOS, thermal stress and mechanical stress) at the time of handling, mounting or at customer's process. When using products for which damp-proof packing is required, satisfy the conditions, such as shelf life and the elapsed time since first opening the packages.
- (7) This book may be not reprinted or reproduced whether wholly or partially, without the prior written permission of our company.