

## 2-way Logic Cartridge Valves-with Spool Position Monitoring Function

Model: LFA...7XJ(control cover)



**ГИДРООТВЕТ**  
доступная гидравлика



- ◆ Size 16 to 50
- ◆ Maximum working pressure 40 bar

### Contents

- Control cover "E" 02
- Control cover "EH2" 03
- Control cover "EWA" and "EWB" 04-07

### Features

- Directly monitor the close and switching position of the valve
- Long life cycle
- The control cover and logic cartridge valves included in the model

Control cover "E" with spool position monitoring

Size 16 to 50

LFA	E	7X	J	D	QMG24	F
-----	---	----	---	---	-------	---

control cover

size 16 =16  
size 25 =25  
size 32 =32  
size 40 =40  
size 50 =50

70 to 79 series =7X  
(70 to 79 series installation and connection size unchanged)

Rekith =J

sealing material  
No code= NBR seals  
V= FKM seals  
(consult for other seals)

throttle at port  
 $\Phi 1/10\text{mm}$   
x\*\*

QM: Inductive position switch type  
G24: 24V DC voltage

cracking pressure P<sub>0</sub>  
10= 1.0bar  
20= 2.0bar  
40= 4.0bar

area ratio A1:A2  
CA= 2:1  
CB= 14.3:1

⚠ If necessary, please provide specifications of the throttle

Control cover "EH2" with spool position monitoring

Size 16 to 32

LFA	EH2	7X	J	F	QMG24	F
-----	-----	----	---	---	-------	---

control cover

size 16 =16  
size 25 =25  
size 32 =32

70 to 79 series =7X  
(70 to 79 series installation and connection size unchanged)

Rekith =J

sealing material  
No code= NBR seals  
V= FKM seals  
(consult for other seals)

throttle at port  
 $\Phi 1/10\text{mm}$   
x\*\*

QM: Inductive position switch type  
G24: 24V DC voltage

cracking pressure P<sub>0</sub>  
10= 1.0bar  
20= 2.0bar  
40= 4.0bar

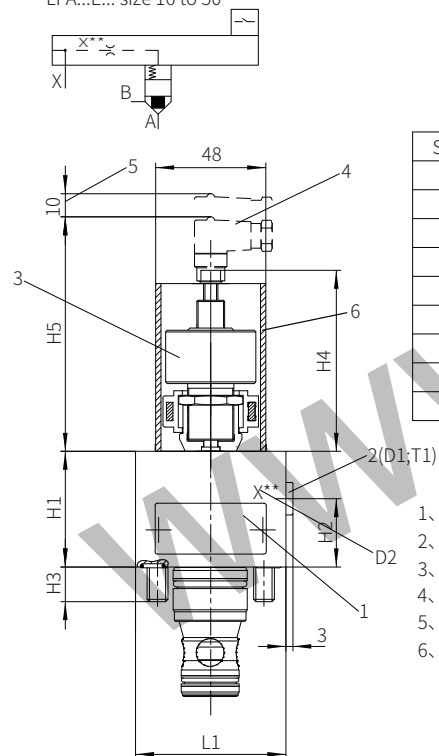
area ratio A1:A2  
CA= 2:1  
CB= 14.3:1

⚠ If necessary, please provide specifications of the throttle

05

05

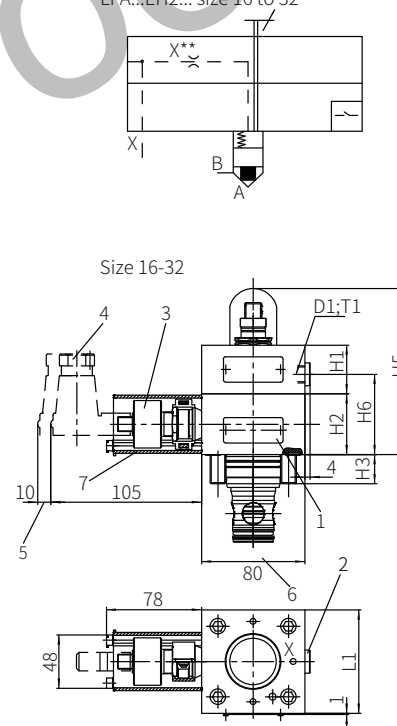
LFA...E... size 16 to 50



Size	16	25	32	40	50
D1	G1/8	G1/4	G1/4	G1/2	G1/2
D2	M6	M6	M6	M8*1	M8*1
H1	50	50	70	110	120
H2	12	16	16	83	93
H3	15	24	28	32	34
H4	78	78	78	98	78
H5	105	105	105	123	123
L1	65	85	100	125	140
T1	8	12	12	14	14

1. Name plate
2. Optional port X used as threaded port
3. Inductive position switch type QM
4. Cable plug
5. Space required to remove the plug
6. Protective cap

LFA...EH2... size 16 to 32



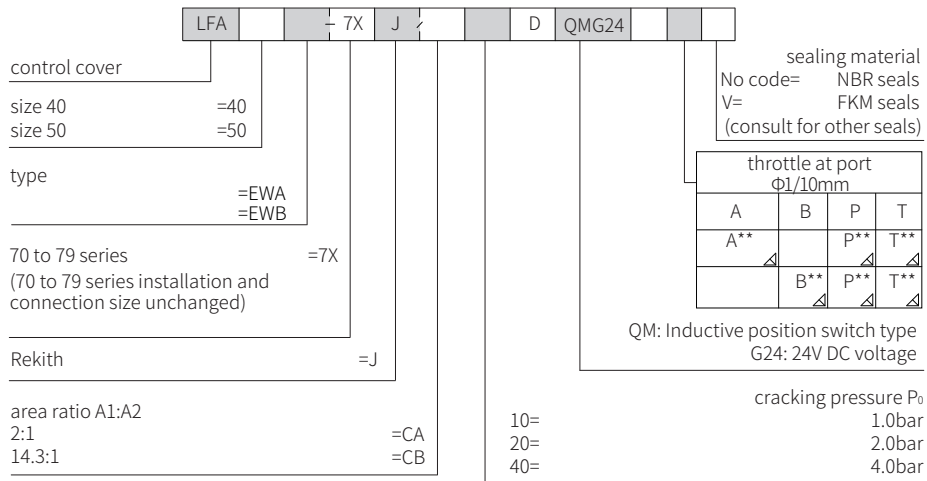
Size	16	25	32
D1	G1/8	G1/4	G1/2
H1	35	40	50
H2	50	50	50
H3	15	24	28
H5	126	130	150
H6	62	66	66
L1	65	85	100
T1	8	12	12

1. Name plate
2. Optional port X used as threaded port
3. Inductive position switch type QM
4. Cable plug
5. Space required to remove the plug
6. For size 16 (for the bottom cover only)
7. Protective cap



Size 40 to 50

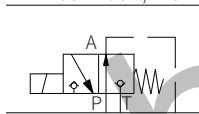
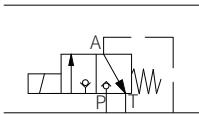
Size 40 to 50



⚠ If necessary, please provide specifications of the throttle

M-3SEW6C.../420

M-3SED6UK.../350  
M-3SEW6U.../420



LFA...EWA

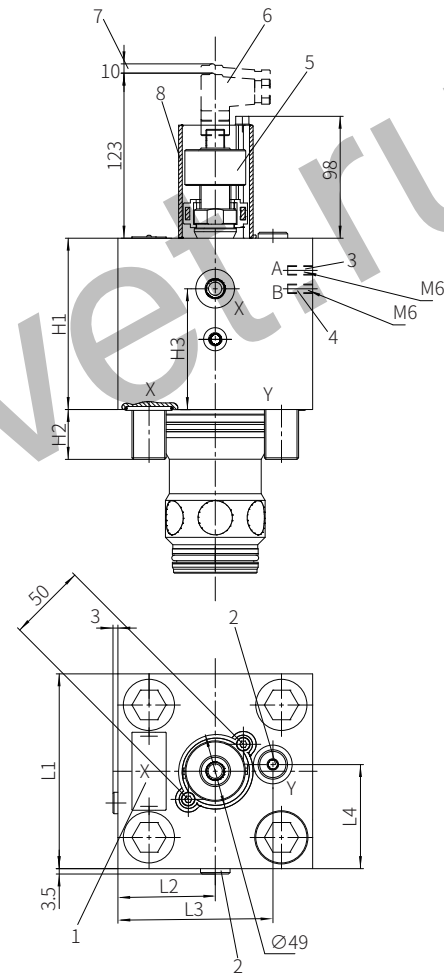
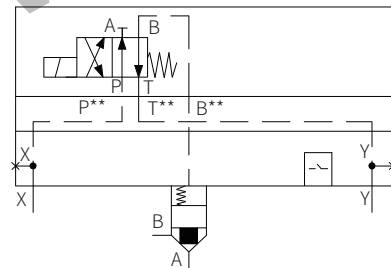
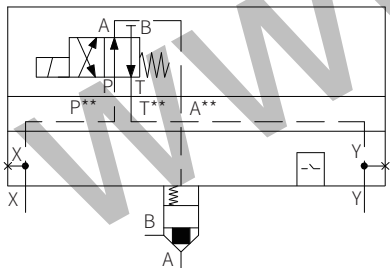
Size 40 and 50

With direction spool valve model 4WE6D...

LFA...EWB

Size 40 and 50

With direction spool valve model 4WE6D...



1. Name plate
2. Optional ports X and Y used as threaded port
3. Plug for ...EWB...type
4. Plug for ...EWA...type
5. Inductive position switch type QM
6. Cable plug
7. Space required to remove the plug
8. Protective cap

Size	40	50
H1	110	120
H2	32	34
H3	77.5	87
L1	125	140
L2	62.5	70
L3	98.5	113
L4	66.5	70