

DATA SHEET

TEA5591 AM/FM radio receiver circuit

Product specification
File under Integrated Circuits, IC01

June 1989

AM/FM radio receiver circuit**TEA5591****GENERAL DESCRIPTION**

The TEA5591 is an integrated radio circuit which is designed for use in portable receivers and clock radios. The IC is also applicable to mains-fed AM and AM/FM receivers and car radio-receivers. The main advantage of this IC is its ability to operate over a wide range of supply voltages without loss of performance. The AM circuit incorporates a balanced mixer and a 'one-pin' oscillator, which operates in the 0.6 MHz to 30 MHz frequency range, with amplitude control. The circuit also includes an IF amplifier, a detector and an AGC circuit which controls the IF amplifier and the mixer. The FM circuit incorporates an RF amplifier, a balanced mixer and a 'one-pin' oscillator together with two AC coupled IF amplifiers (with distributed selectivity), a quadrature demodulator for the ceramic filter and internal AFC.

Features

- DC AM/FM switch facility
- Three internal separate stabilizers to enable operation over a wide range of supply voltages (1.8 to 15 V)
- All pins (except pin 9) are ESD protected.

QUICK REFERENCE DATA

PARAMETER	CONDITIONS	SYMBOL	MIN.	TYP.	MAX.	UNIT
Supply voltage (pin 8)		V_P	1.8	3.0	15	V
Supply current						
AM part		$I_P(AM)$	–	14	19	mA
FM part		$I_P(FM)$	–	17	23	mA
Operating ambient temperature range		T_{amb}	–15	–	+60	°C
AM performance (pin 13)	$m = 0.3$					
RF sensitivity						
RF input voltage	$V_o = 10$ mV	V_i	–	3.5	–	μ V
RF input voltage	$(S+N)/N = 26$ dB	V_i	–	17	–	μ V
Signal plus noise-to-noise ratio	$V_i = 1$ mV	$(S+N)/N$	–	48	–	dB
AF output voltage		V_o	–	50	–	mV
Total harmonic distortion		THD	–	0.7	–	%
FM performance (pin 1)	$\Delta f = 22.5$ kHz					
RF sensitivity						
RF input voltage						
–3 dB before limiting		V_i	–	2.3	4.0	μ V
Signal plus noise-to-noise ratio for:						
RF input signal voltage (V_i)	$V_i = 3.0$ μ V	$(S+N)/N$	23	26	–	dB
	$V_i = 1$ mV	$(S+N)/N$	–	60	–	dB
AF output voltage	$V_i = 100$ μ V	V_o	75	90	–	mV
Total harmonic distortion		THD	–	0.8	–	%

PACKAGE OUTLINE

20-lead DIL; plastic (SOT146); SOT146-1; 1996 August 14.

AM/FM radio receiver circuit

TEA5591

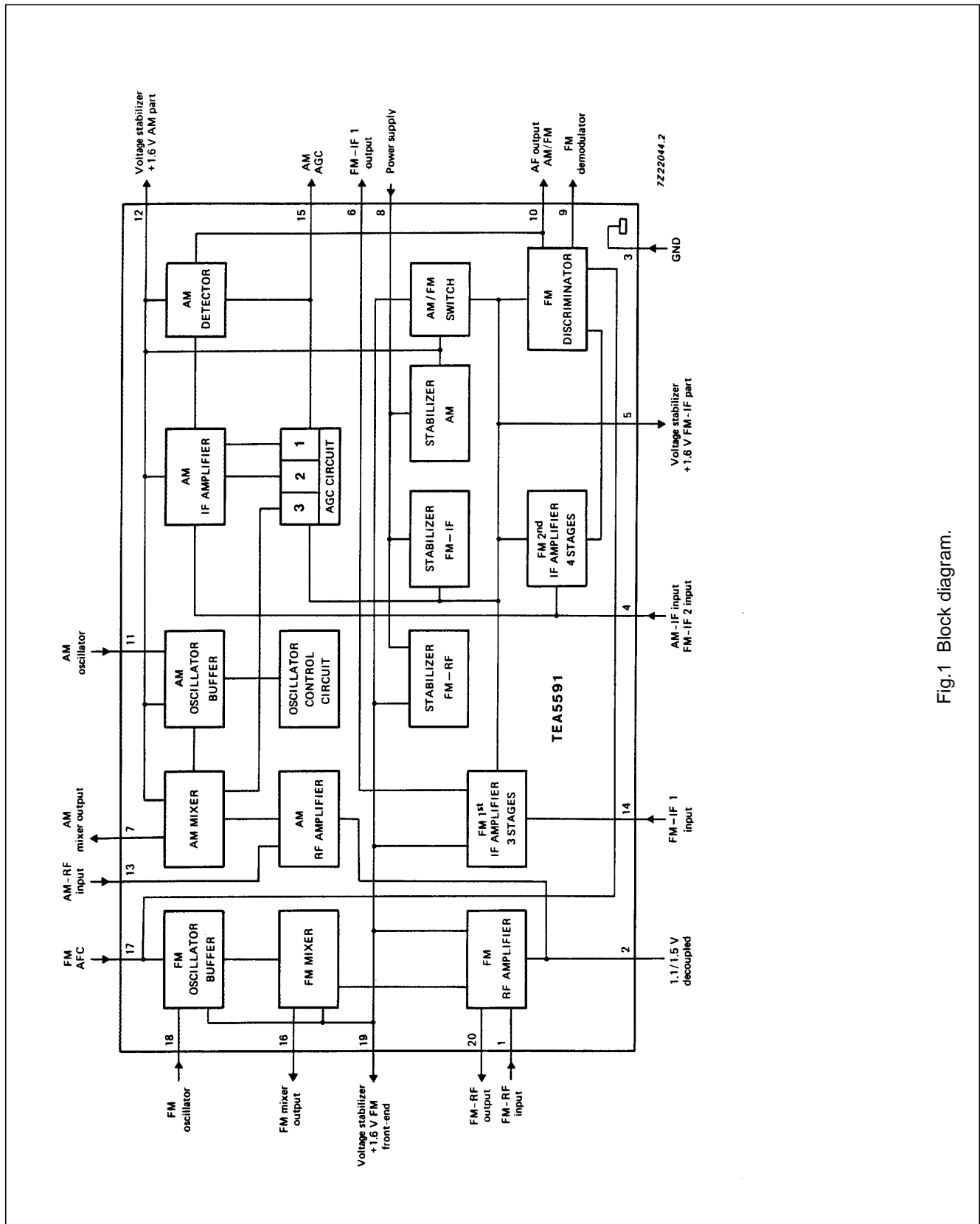


Fig.1 Block diagram.

AM/FM radio receiver circuit

TEA5591

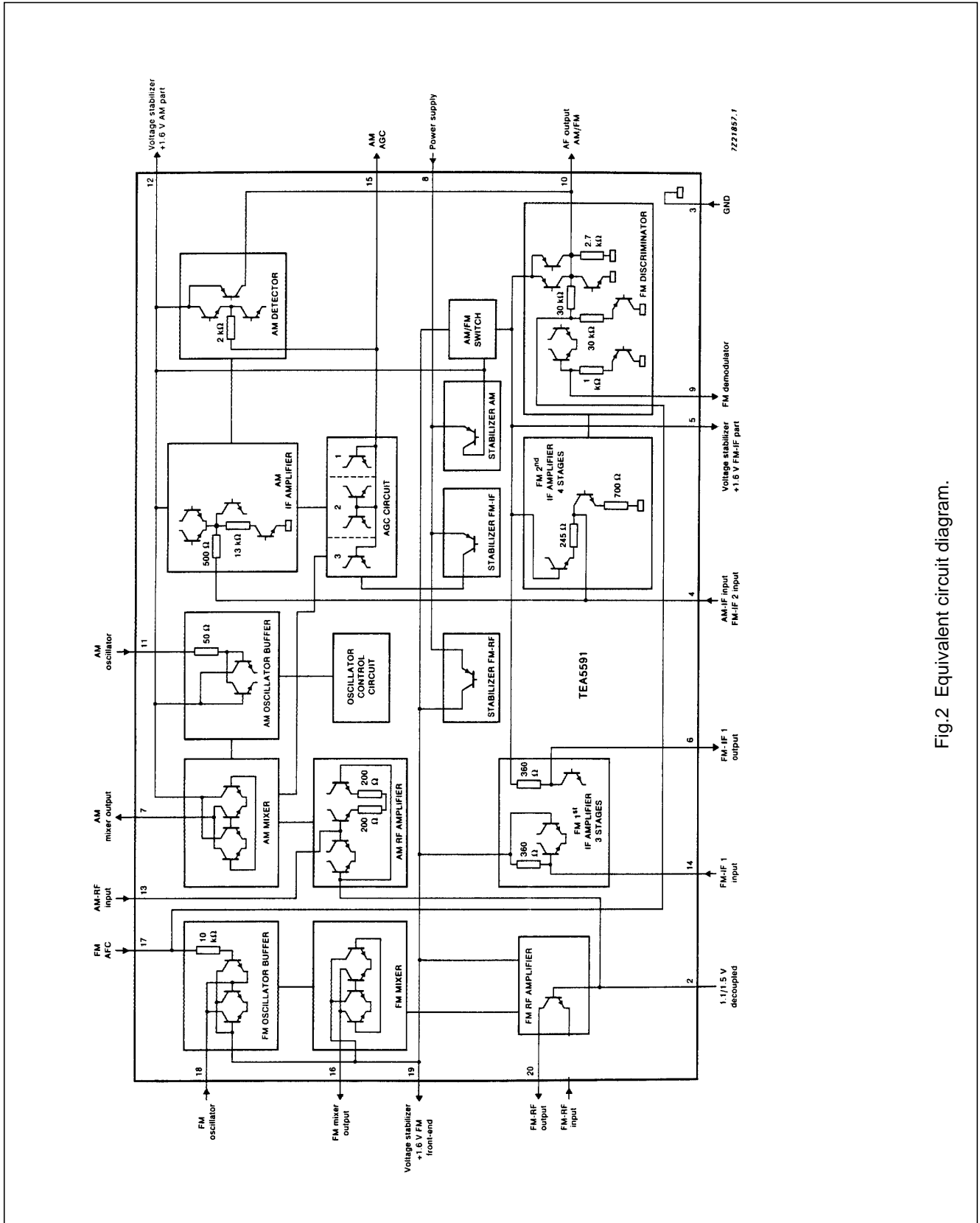
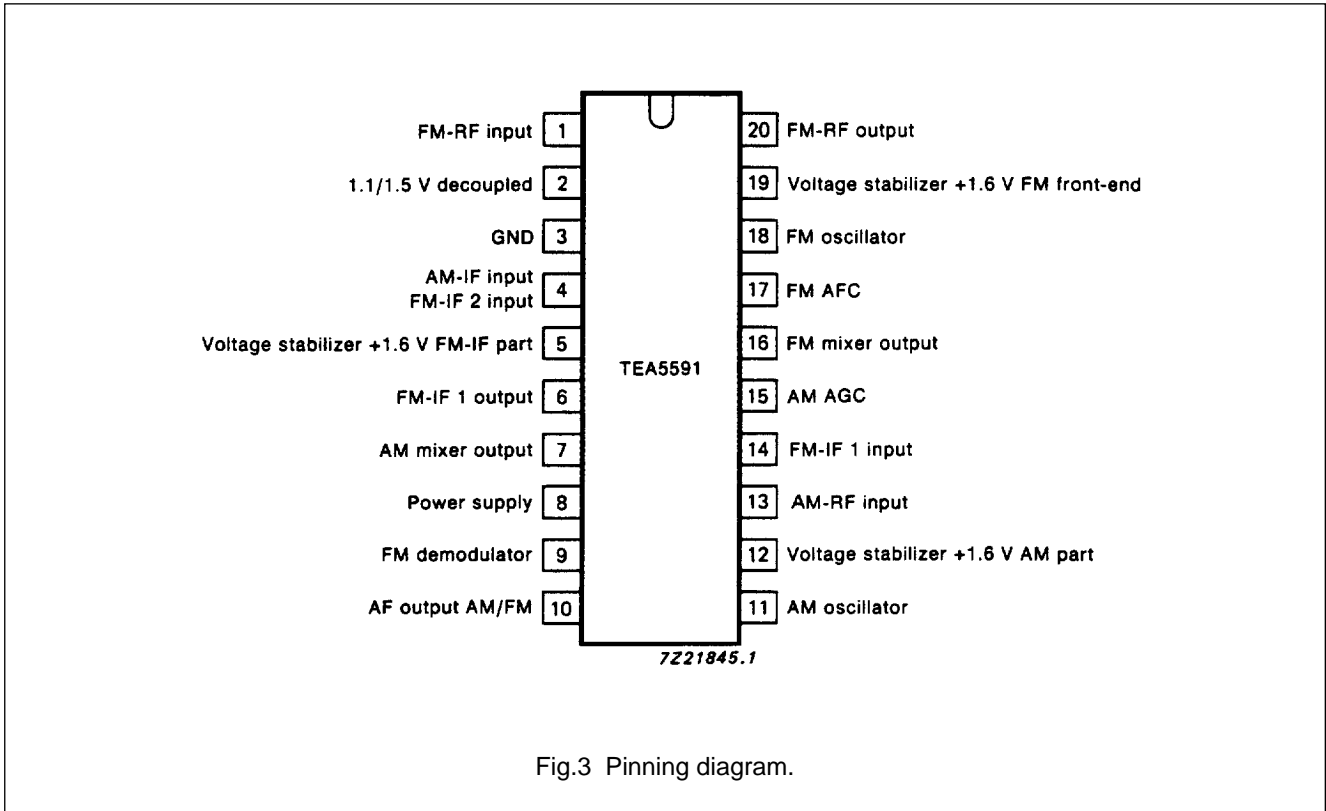


Fig.2 Equivalent circuit diagram.

AM/FM radio receiver circuit

TEA5591

PINNING



AM/FM radio receiver circuit

TEA5591

RATINGS

Limiting values in accordance with the Absolute Maximum System (IEC 134)

PARAMETER	CONDITIONS	SYMBOL	MIN.	MAX.	UNIT
Supply voltage (pin 8)		V_P	–	18	V
Storage temperature range		T_{stg}	–65	+ 150	°C
Operating ambient temperature range		T_{amb}	–15	+ 60	°C
Total power dissipation		P_{tot}	see Fig.4		

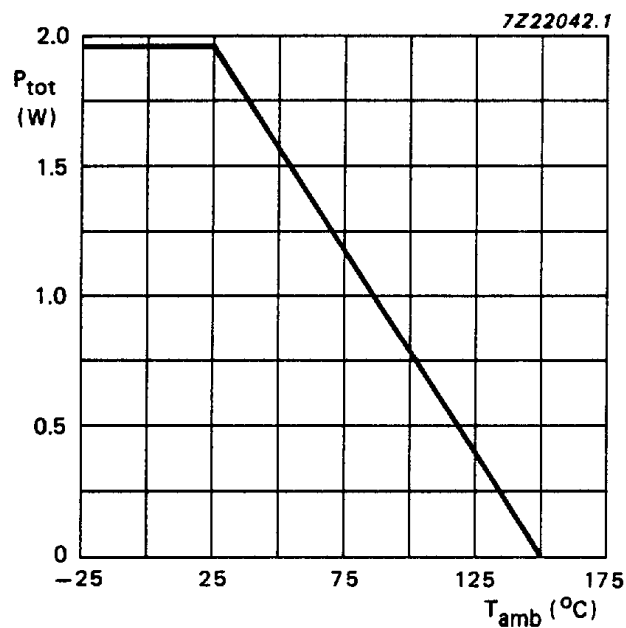


Fig.4 Power derating curve.

AM/FM radio receiver circuit

TEA5591

DC CHARACTERISTICS

All voltages are referenced to pin 3; all input currents are positive; all parameters are measured in Fig.5 at nominal supply voltage $V_P = 3\text{ V}$; $T_{\text{amb}} = 25\text{ °C}$ unless otherwise specified

PARAMETER	CONDITIONS	SYMBOL	MIN.	TYP.	MAX.	UNIT
Supply voltage		V_P	1.8	3.0	15	V
Voltages (FM)						
pin 1		V_1	–	0.90	–	V
pin 2		V_2	–	1.60	–	V
pin 4		V_4	–	0.85	–	V
pin 5		V_5	1.5	1.60	1.75	V
pin 6		V_6	–	1.48	–	V
pin 9		V_9	–	1.05	–	V
pin 14		V_{14}	–	1.63	–	V
pin 17		V_{17}	–	0.60	–	V
pin 19		V_{19}	–	1.60	–	V
Voltages (AM)						
pin 2		V_2	–	1.10	–	V
pin 12		V_{12}	–	1.60	–	V
pin 15		V_{15}	–	1.54	–	V
Supply current						
AM part		$I_{P(AM)}$	–	14	19	mA
FM part		$I_{P(FM)}$	–	17	23	mA

AM/FM radio receiver circuit

TEA5591

AC CHARACTERISTICS $V_P = 3\text{ V}$; $T_{amb} = 25\text{ °C}$ unless otherwise specified

PARAMETER	CONDITIONS	SYMBOL	MIN.	TYP.	MAX.	UNIT
AM PART						
Input conductance pin 4	f = 0.5 MHz	g_{ie}	–	1.7	–	ms
Input capacitance pin 4	f = 0.5 MHz	C_{ie}	–	5	–	pF
Input conductance pin 13	f = 1.0 MHz	g_{ie}	–	230	–	μs
Input capacitance pin 13	f = 1.0 MHz	C_{ie}	–	13	–	pF
Output conductance pin 7	f = 0.5 MHz	g_{oe}	–	4	–	μs
Output capacitance pin 7	f = 0.5 MHz	C_{oe}	–	4.7	–	pF
Conductance pin 11	f = 1.5 MHz	g_e	–	–6.8	–	ms
Capacitance pin 11	f = 1.5 MHz	C_e	–	25	–	pF
FM PART						
Input conductance pin 4	f = 10.7 MHz	g_{ie}	–	2.7	–	ms
Input capacitance pin 4	f = 10.7 MHz	C_{ie}	–	6	–	pF
Input conductance pin 14	f = 10.7 MHz	g_{ie}	–	2.8	–	ms
Input capacitance pin 14	f = 10.7 MHz	C_{ie}	–	2.5	–	pF
Output conductance pin 6	f = 10.7 MHz	g_{oe}	–	2.8	–	ms
Output capacitance pin 6	f = 10.7 MHz	C_{oe}	–	3.0	–	pF
Output conductance pin 16	f = 10.7 MHz	g_{oe}	–	1.6	–	μs
Output capacitance pin 16	f = 10.7 MHz	C_{oe}	–	4.5	–	pF
Conductance pin 9	f = 10.7 MHz	g_e	–	880	–	μs
Capacitance pin 9	f = 10.7 MHz	C_e	–	3.6	–	pF
Conductance pin 18	f = 100 MHz	g_e	–	–4	–	ms
Capacitance pin 18	f = 100 MHz	C_e	–	10	–	pF

AM/FM radio receiver circuit

TEA5591

AC CHARACTERISTICS

All parameters are measured in Fig.5 at nominal supply voltage $V_P = 3\text{ V}$; $T_{amb} = 25\text{ °C}$ unless otherwise specified.

RF conditions: Input frequency 1 MHz; 30% modulation where $f_{mod} = 1\text{ kHz}$; unless otherwise specified

PARAMETER	CONDITIONS	SYMBOL	MIN.	TYP.	MAX.	UNIT
AM PERFORMANCE						
RF sensitivity AF output voltage for: $V_i = 7.5\ \mu\text{V}$	no AGC	V_o	16	30	40	mV
Noise Signal plus noise-to-noise ratio for: RF input signal voltage of $V_i = 17\ \mu\text{V}$		$(S + N)/N$	23	26	–	dB
$V_i = 1\text{ mV}$		$(S + N)/N$	–	48	–	dB
Optimum source impedance		Z_S	–	1.8	–	k Ω
Noise factor	optimum noise impedance	NF	–	4	–	dB
AGC Change in RF input voltage for 10 dB change in output voltage	$V_{i1} = 100\text{ mV}$	V_{i1}/V_{i2}	80	86	–	dB
AF output voltage	$V_i = 100\ \mu\text{V}$	V_o	40	50	60	mV
Total harmonic distortion	$V_i = 100\ \mu\text{V}$ to 10 mV	THD	–	0.7	1.5	%
	$V_i = 100\ \mu\text{V}$ to 10 mV; $m = 0.8$	THD	–	3	5	%
	$V_i = 80\text{ mV}$; $m = 0.8$	THD	–	–	8	%

AM/FM radio receiver circuit

TEA5591

PARAMETER	CONDITIONS	SYMBOL	MIN.	TYP.	MAX.	UNIT
IF suppression (note 1)	$V_o = 30 \text{ mV}$	α	–	20	–	dB
Oscillator (pin 11)						
Input voltage	$f_{\text{osc}} = 1.5 \text{ MHz}$	V_{osc}	–	150	190	mV
	$f_{\text{osc}} = 30.5 \text{ MHz}$	V_{osc}	–	150	–	mV
	$V_P = 1.5 \text{ V}$	V_{osc}	100	–	–	mV
Temperature behaviour	$-15 \text{ to } +60 \text{ }^\circ\text{C}$ (only the IC)					
Sensitivity		ΔV_i	–	–2	–	dB
Output voltage	$V_i = 1 \text{ mV}$	ΔV_o	–	1	–	dB
Oscillator frequency						
LW		Δf_{osc}	–	500	–	Hz
MW		Δf_{osc}	–	300	–	Hz
SW		Δf_{osc}	–	100	–	kHz
Supply voltage behaviour	$V_P = 1.8 \text{ to } 15 \text{ V}$					
Sensitivity		ΔV_i	–	0	–	dB
Output voltage	$V_i = 1 \text{ mV}$	ΔV_o	–	0.5	–	dB
Oscillator frequency						
LW		Δf_{osc}	–	6	–	kHz
MW		Δf_{osc}	–	0.1	–	kHz
SW		Δf_{osc}	–	30	–	kHz

Transimpedance (Z_{tr}) = $V_4/I_7 = 900\Omega$.

AM/FM radio receiver circuit

TEA5591

AC CHARACTERISTICS

All parameters are measured in Fig.5 at nominal supply voltage $V_P = 3\text{ V}$; $T_{amb} = 25\text{ °C}$ unless otherwise specified
RF conditions: Input frequency 100 MHz; frequency deviation $f = \pm 22,5\text{ kHz}$ and $f_{mod} = 1\text{ kHz}$

PARAMETER	CONDITIONS	SYMBOL	MIN.	TYP.	MAX.	UNIT
FM PERFORMANCE						
RF sensitivity						
RF input voltage	-3 dB before limiting	V_{iFM}	-	2.3	4.0	μV
Noise						
Signal plus noise-to-noise ratio for:						
RF input signal voltage (V_i)						
$V_i = 3.0\ \mu\text{V}$		$(S + N)/N$	23	26	-	dB
$V_i = 1\text{ mV}$		$(S + N)/N$	-	60	-	dB
Optimum source impedance		Z_{source}	-	50	-	Ω
Noise factor	optimum noise impedance	NF	-	6	-	dB
AF output voltage	$V_i = 100\ \mu\text{V}$	V_o	75	90	-	mV
Total harmonic distortion	$V_i = 30\ \mu\text{V}$ to 50 mV	THD	-	0.8	-	%
	$V_i = 1\text{ mV}$; $\Delta f = 75\text{ kHz}$	THD	-	3	-	%
	$V_i = 100\text{ mV}$; $\Delta f = 75\text{ kHz}$	THD	-	3	-	%
AM suppression	note 2					
RF input signal	$V_i = 100\ \mu\text{V}$ to 10 mV	AMS	-	50	-	dB
Oscillator voltage (pin 18)	$f_{osc} = 100\text{ MHz}$ $V_P = 1.5\text{ V}$	V_{osc}	-	220	-	mV
IF rejection ratio		V_{osc}	100	-	-	mV
		IF_{rr}	-	60	-	dB
AFC	$f_{osc} = 111.2\text{ MHz}$					
	$V_{17} = 1.4\text{ V}$	Δf	-	-620	-	kHz
	$V_{17} = 0.2\text{ V}$	Δf	-	+420	-	kHz

AM/FM radio receiver circuit

TEA5591

PARAMETER	CONDITIONS	SYMBOL	MIN.	TYP.	MAX.	UNIT
Temperature behaviour	-15 to + 60 °C (only the IC)					
RF sensitivity	-3 dB limiting	ΔV_i	-	-6	-	dB
Output voltage	$V_i = 100 \mu\text{V}$	ΔV_o	-	-2	-	dB
Oscillator frequency		Δf_{osc}	-	-0.3	-	%
Supply voltage behaviour	$V_P = 1.8$ to 15 V					
RF sensitivity	-3 dB limiting	ΔV_i	-	6	-	dB
Output voltage	$V_i = 100 \mu\text{V}$	ΔV_o	-	0.5	-	dB
Oscillator frequency		Δf_{osc}	-	100	-	kHz
Oscillator voltage		ΔV_{osc}	-	1.0	-	dB

Notes to the AC characteristics

$$1. \quad \alpha = \frac{V_i \text{ at } f_i = 455 \text{ kHz}}{V_i \text{ at } f_i = 1 \text{ MHz}}$$

2. AM suppression is measured at:
 $f_{\text{mod}} = 400 \text{ Hz}$, $m = 0.3$ for AM;
 $f_{\text{mod}} = 1 \text{ kHz}$, $\Delta f = 75 \text{ kHz}$ for FM.

AM/FM radio receiver circuit

TEA5591

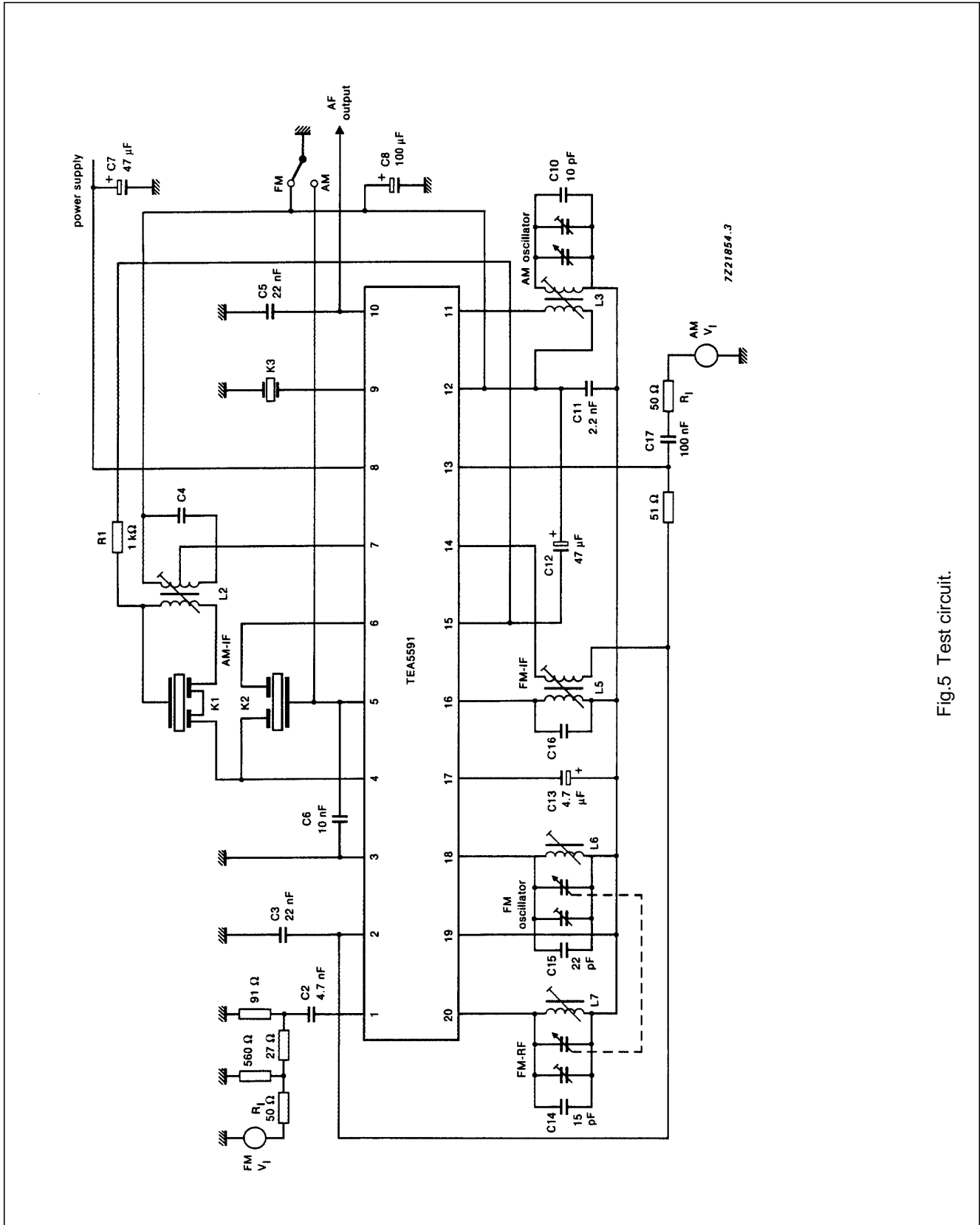


Fig.5 Test circuit.

AM/FM radio receiver circuit

TEA5591

APPLICATION INFORMATION

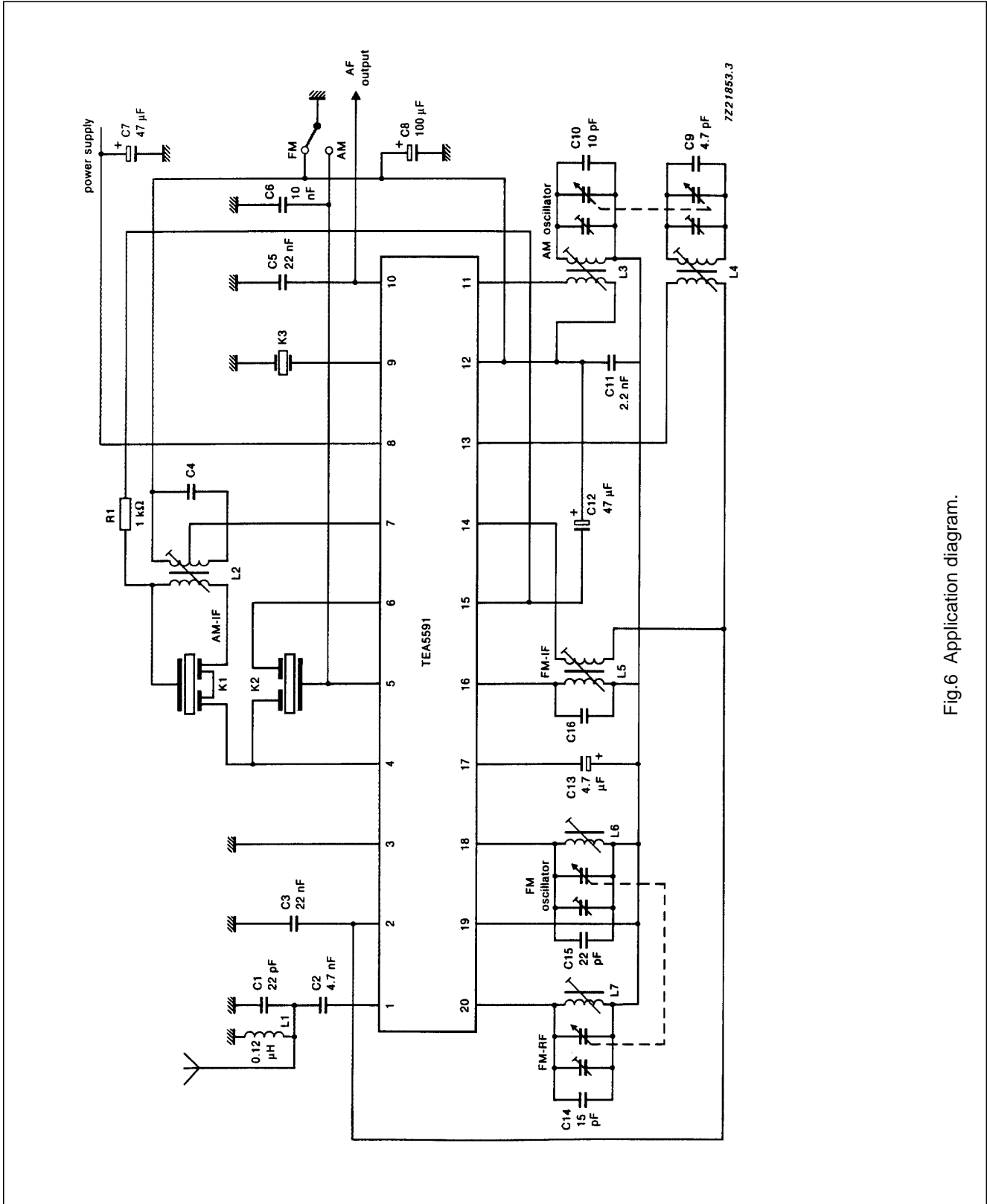
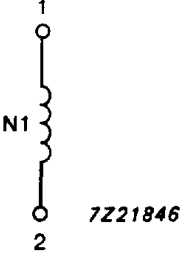


Fig.6 Application diagram.

AM/FM radio receiver circuit

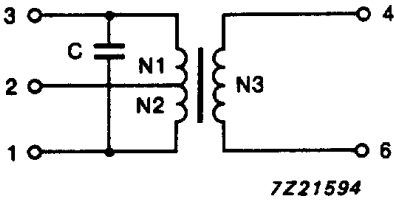
TEA5591

Component data



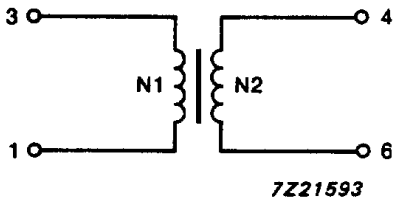
N1 = 4.5
 L = 0.12 μ H
 Wire = 0.8 mm diameter
 diameter = 4.5 mm

Fig.7 FM BFP coil (L1).



N1 = 132
 N2 = 14
 N3 = 9
 C = 180 pF (internal)
 Lprim = 660 μ H
 fo = 468 kHz
 Wire = 0.07 mm diameter
 Coil type 7P-TOKO
 Material 7MCS

Fig.8 AM IF coil (L2). TOKO sample no. 7MCS-7P.

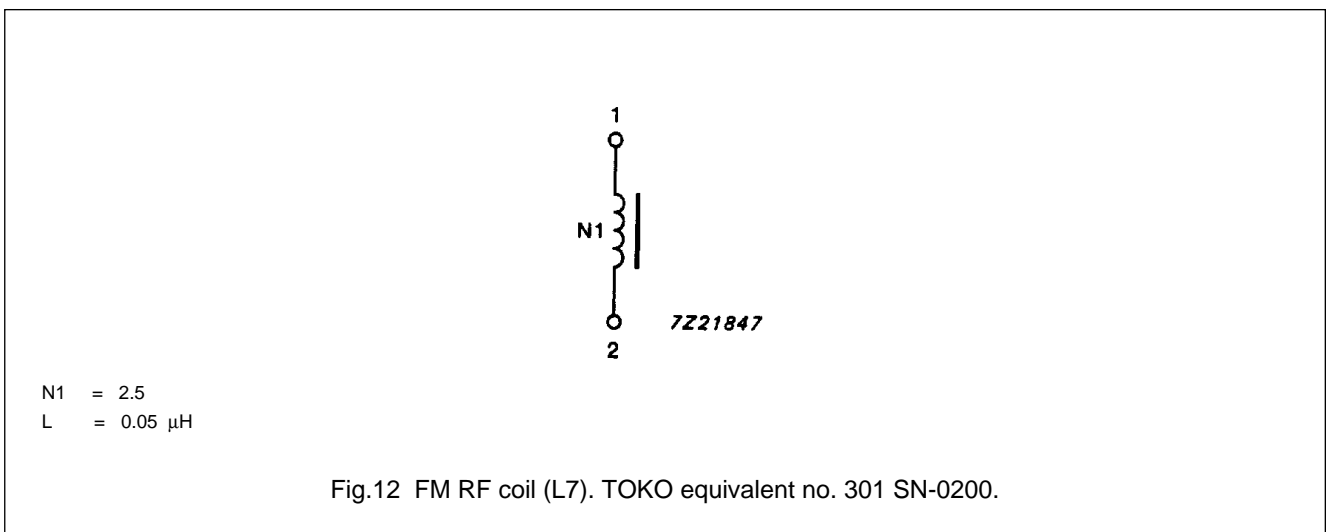
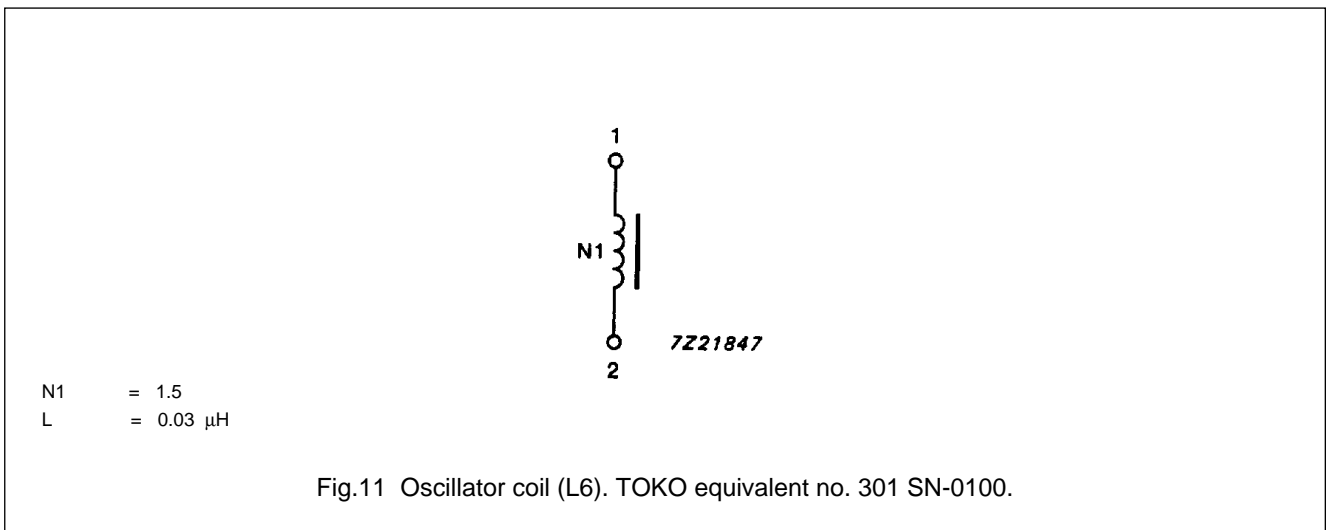
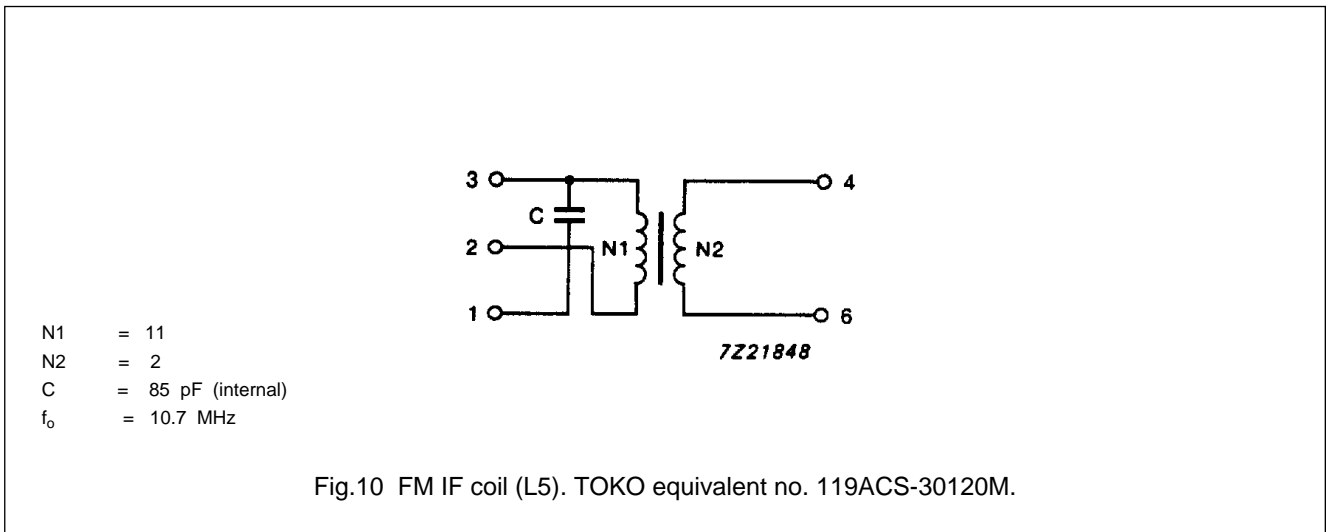


N1 = 86
 N2 = 11
 Lprim = 270 μ H
 Wire = 0.07 mm diameter
 Coil type 7P-TOKO
 Material 7BRS

Fig.9 Oscillator coil (L3). TOKO sample no. 7BRS-7P.

AM/FM radio receiver circuit

TEA5591



AM/FM radio receiver circuit**TEA5591**

FERROCEPTOR COIL

L4: N1 = 105; N2 = 10; L = 625 μ H

CERAMIC FILTERS

AM IF (K1). SFZ468 HL.

FM IF (K2). SFE10 . 7 MS2.

FM detector (K3). CDA10 . 7 MC1.

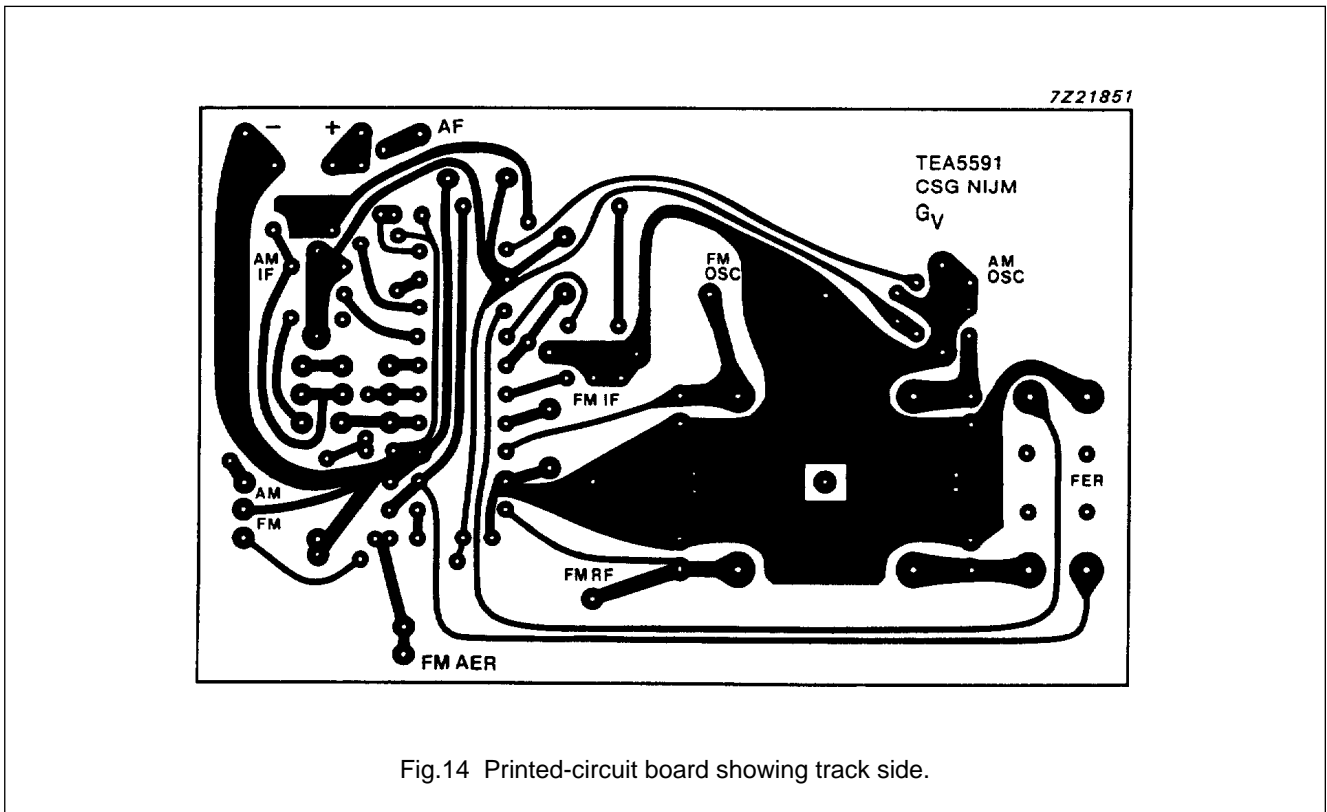
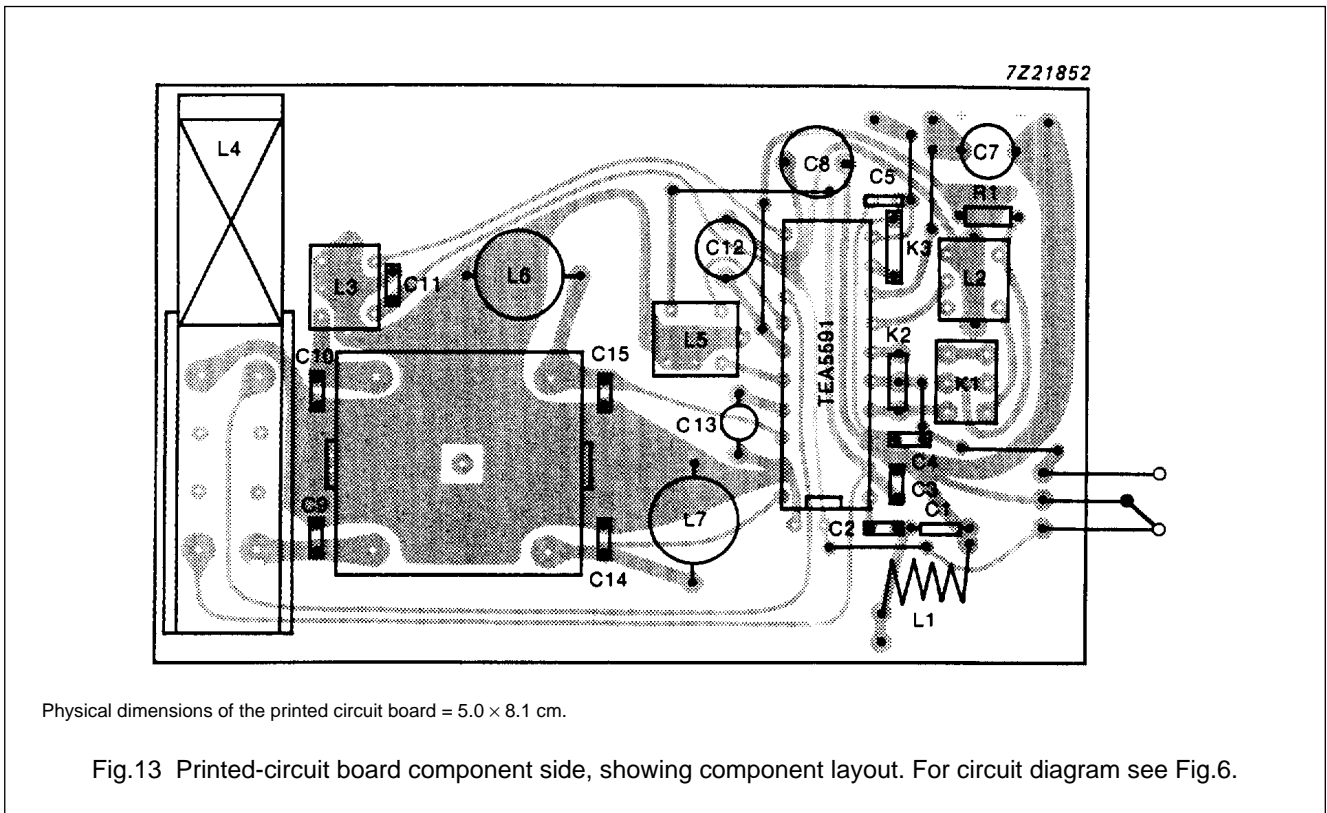
TUNING CAPACITORS

AM 140/82 pF

FM 2 \times 20 pF

AM/FM radio receiver circuit

TEA5591



AM/FM radio receiver circuit

TEA5591

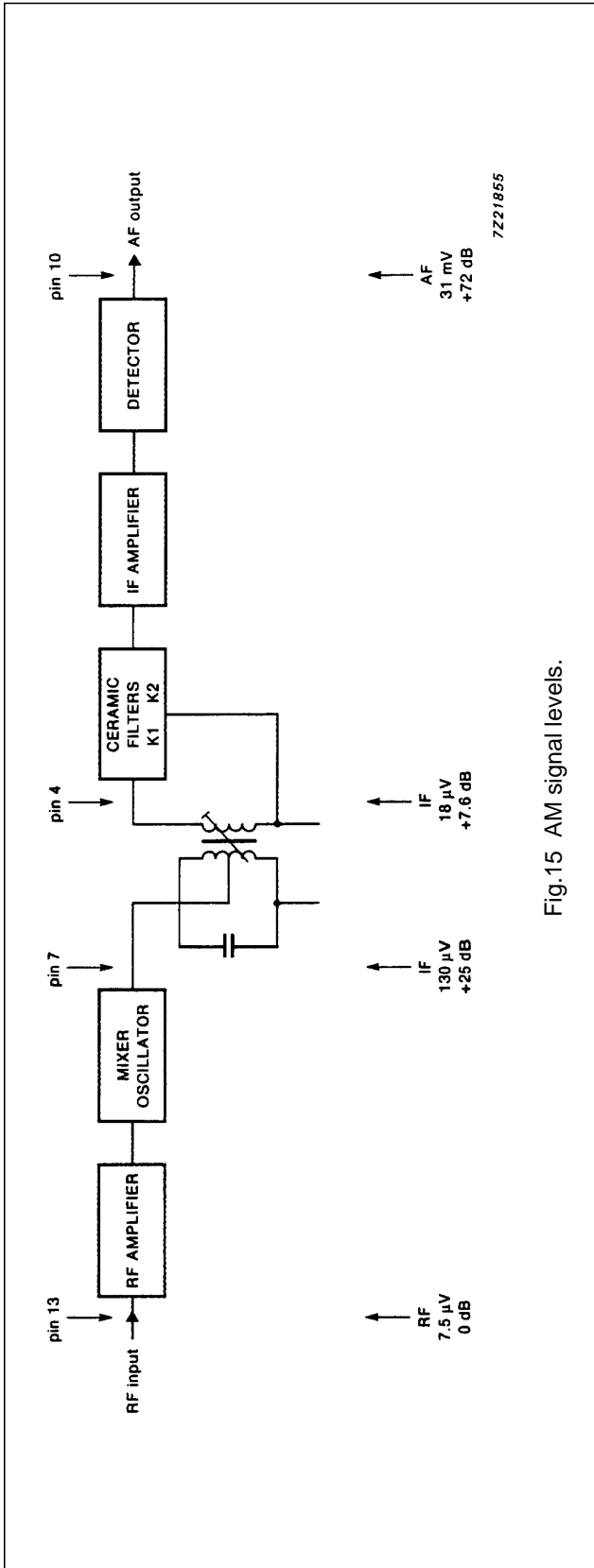


Fig.15 AM signal levels.

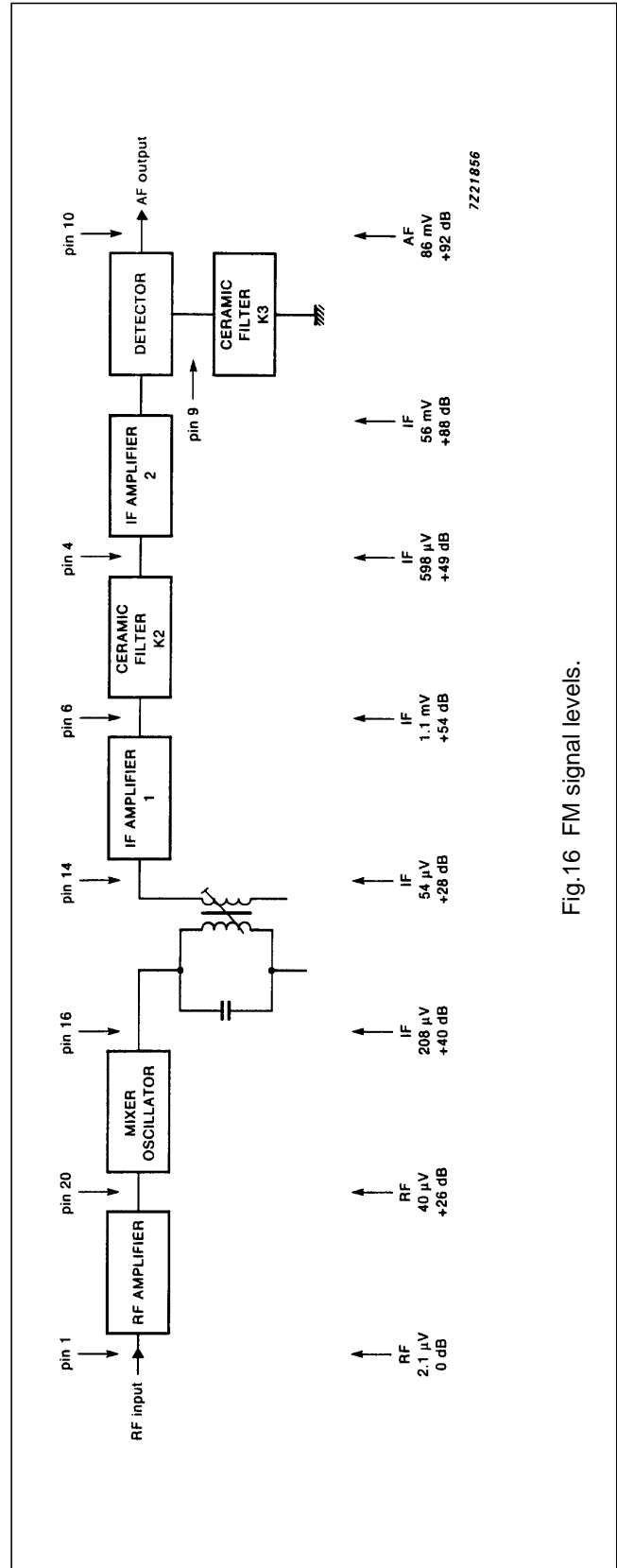


Fig.16 FM signal levels.

AM/FM radio receiver circuit

TEA5591

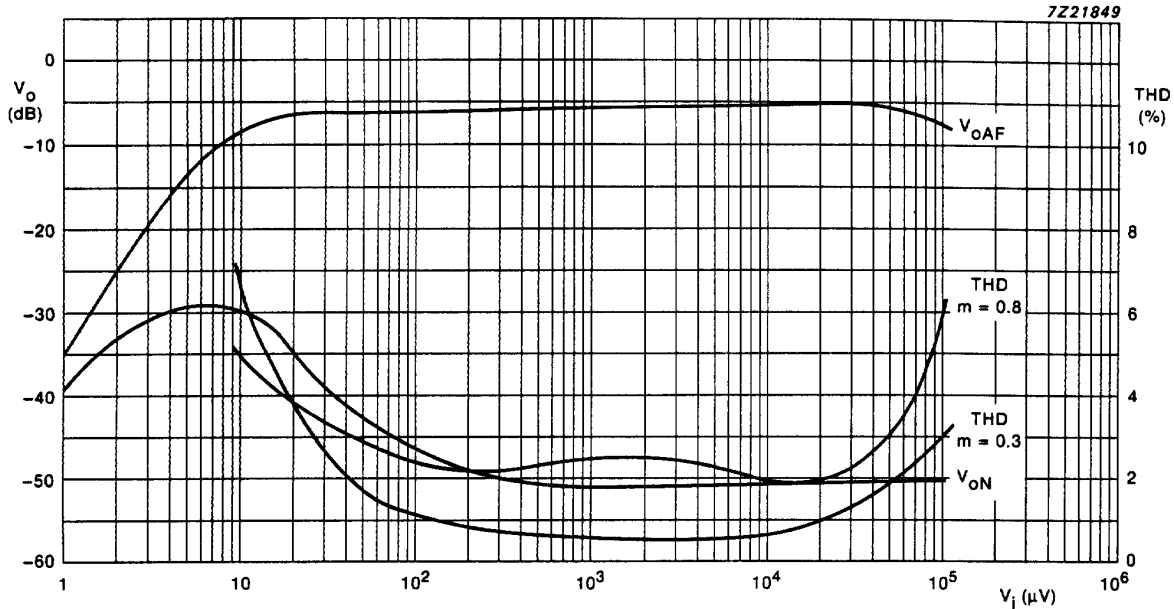


Fig.17 Signal and noise (V_{oAF}), noise (V_{oN}); reference level 0 dB = 100 mV, and total harmonic distortion (THD) as a function of input voltage (V_i) at pin 13. Measured in test circuit Fig.5. AM AGC is measured at $f_i = \text{MHz}$; $f_{\text{mod}} = 1 \text{ kHz}$; $m = 0.3$. AM distortion is measured at $f_i = 1 \text{ MHz}$; $f_{\text{mod}} = 1 \text{ kHz}$.

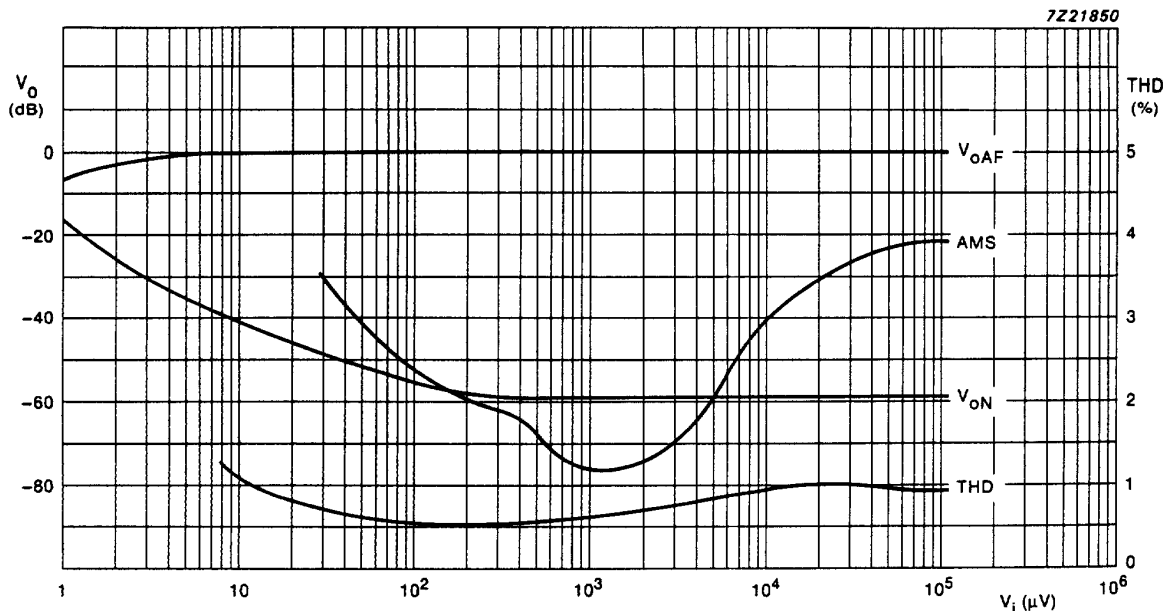


Fig.18 Signal and noise (V_{oAF}), noise (V_{oN}); reference level 0 dB = 100 mV; AM suppression (AMS) and total harmonic distortion (THD) as a function of input voltage (V_i) at pin 1. Measured in test circuit Fig.5 at $f_i = 98 \text{ MHz}$; $f_{\text{mod}} = 1 \text{ kHz}$; $\Delta f = 22.5 \text{ kHz}$. AM suppression is measured at $f_{\text{mod}} = 400 \text{ Hz}$, $m = 0.3$ for AM; $f_{\text{mod}} = 1 \text{ kHz}$, $\Delta f = 75 \text{ kHz}$ for FM.

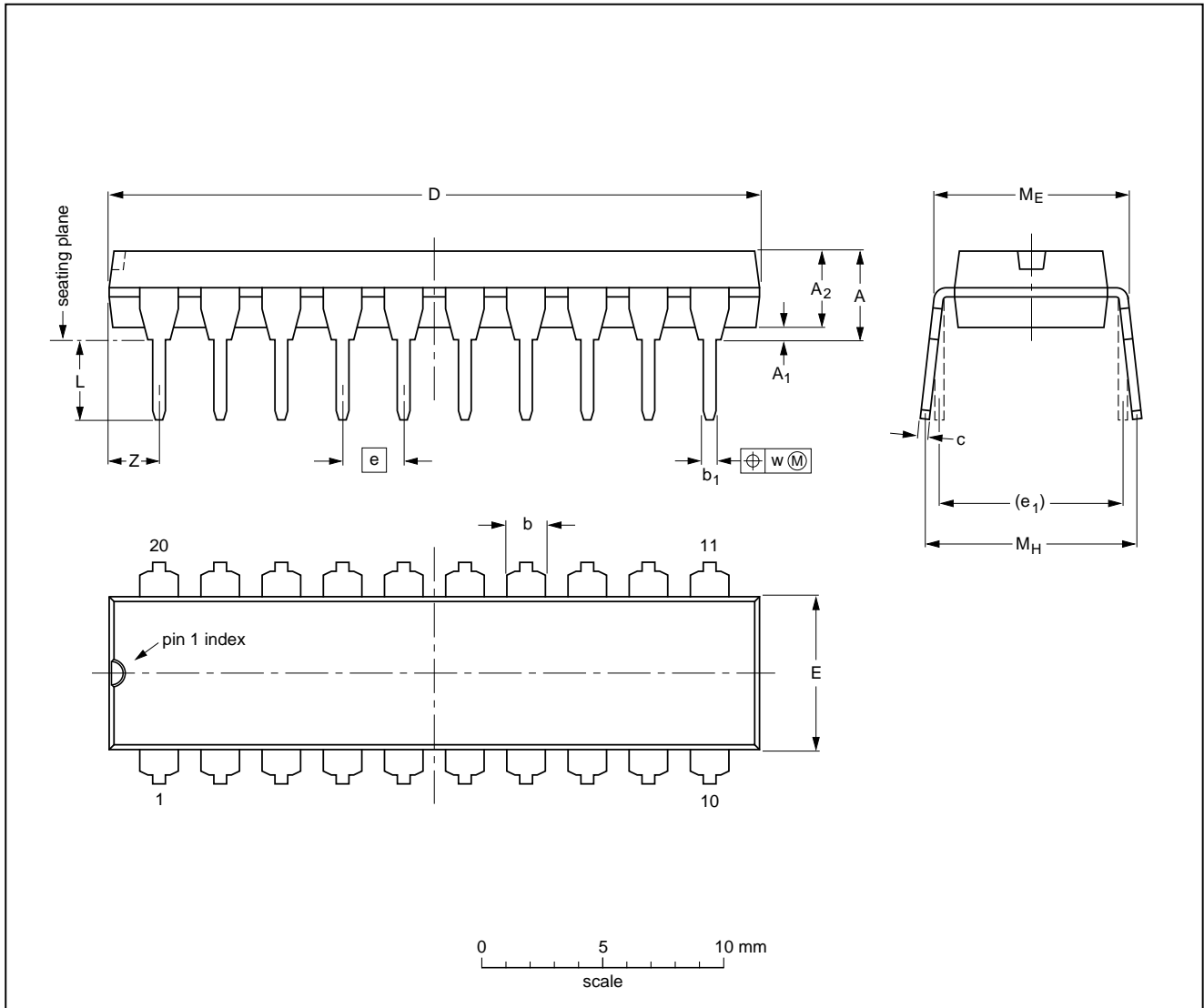
AM/FM radio receiver circuit

TEA5591

PACKAGE OUTLINE

DIP20: plastic dual in-line package; 20 leads (300 mil)

SOT146-1



DIMENSIONS (inch dimensions are derived from the original mm dimensions)

UNIT	A max.	A ₁ min.	A ₂ max.	b	b ₁	c	D ⁽¹⁾	E ⁽¹⁾	e	e ₁	L	M _E	M _H	w	Z ⁽¹⁾ max.
mm	4.2	0.51	3.2	1.73 1.30	0.53 0.38	0.36 0.23	26.92 26.54	6.40 6.22	2.54	7.62	3.60 3.05	8.25 7.80	10.0 8.3	0.254	2.0
inches	0.17	0.020	0.13	0.068 0.051	0.021 0.015	0.014 0.009	1.060 1.045	0.25 0.24	0.10	0.30	0.14 0.12	0.32 0.31	0.39 0.33	0.01	0.078

Note

1. Plastic or metal protrusions of 0.25 mm maximum per side are not included.

OUTLINE VERSION	REFERENCES				EUROPEAN PROJECTION	ISSUE DATE
	IEC	JEDEC	EIAJ			
SOT146-1			SC603			92-11-17 95-05-24

AM/FM radio receiver circuit

TEA5591

SOLDERING**Introduction**

There is no soldering method that is ideal for all IC packages. Wave soldering is often preferred when through-hole and surface mounted components are mixed on one printed-circuit board. However, wave soldering is not always suitable for surface mounted ICs, or for printed-circuits with high population densities. In these situations reflow soldering is often used.

This text gives a very brief insight to a complex technology. A more in-depth account of soldering ICs can be found in our "IC Package Databook" (order code 9398 652 90011).

Soldering by dipping or by wave

The maximum permissible temperature of the solder is 260 °C; solder at this temperature must not be in contact with the joint for more than 5 seconds. The total contact time of successive solder waves must not exceed 5 seconds.

The device may be mounted up to the seating plane, but the temperature of the plastic body must not exceed the specified maximum storage temperature ($T_{stg\ max}$). If the printed-circuit board has been pre-heated, forced cooling may be necessary immediately after soldering to keep the temperature within the permissible limit.

Repairing soldered joints

Apply a low voltage soldering iron (less than 24 V) to the lead(s) of the package, below the seating plane or not more than 2 mm above it. If the temperature of the soldering iron bit is less than 300 °C it may remain in contact for up to 10 seconds. If the bit temperature is between 300 and 400 °C, contact may be up to 5 seconds.

DEFINITIONS

Data sheet status	
Objective specification	This data sheet contains target or goal specifications for product development.
Preliminary specification	This data sheet contains preliminary data; supplementary data may be published later.
Product specification	This data sheet contains final product specifications.
Limiting values	
Limiting values given are in accordance with the Absolute Maximum Rating System (IEC 134). Stress above one or more of the limiting values may cause permanent damage to the device. These are stress ratings only and operation of the device at these or at any other conditions above those given in the Characteristics sections of the specification is not implied. Exposure to limiting values for extended periods may affect device reliability.	
Application information	
Where application information is given, it is advisory and does not form part of the specification.	

LIFE SUPPORT APPLICATIONS

These products are not designed for use in life support appliances, devices, or systems where malfunction of these products can reasonably be expected to result in personal injury. Philips customers using or selling these products for use in such applications do so at their own risk and agree to fully indemnify Philips for any damages resulting from such improper use or sale.