

# 8 - Subplate



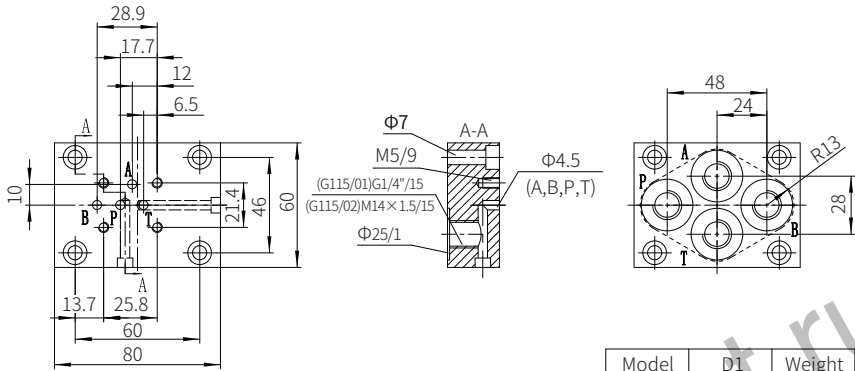
## Contents

## Page

● Model G115, G96 size 5 (ISO4401)	0955
● Model G341, G342, G502 size 6 (ISO4401)	0956
● Model G66, G67, G292, G308, G377, G378 size 10 (ISO4401)	0957
● Model G534, G535, G536, size 10 (ISO4401)	0958
● Model G172 size 16 (ISO4401)	0959
● Model G174 size 16 (ISO4401)	0960
● Model G151, G153 size 25 (ISO4401)	0961
● Model G154, G156 size 25 (ISO4401)	0962
● Model G157 size 32 (ISO4401)	0963
● Model G460, G461 size 10 (ISO5781)	0964
● Model G412, G413 size 25 (ISO5781)	0964
● Model G414, G415 size 32 (ISO5781)	0964
● Model G545, G546 size 10 (ISO6264)	0965
● Model G408, G409 size 25 (ISO6264)	0965
● Model G410, G411 size 32 (ISO6264)	0965
● Model G467, G468 size 10 (ISO6264)	0966
● Model G469, G470 size 25 (ISO6264)	0966
● Model G471, G472 size 32 (ISO6264)	0966
● Model G51, G565 subplate G51/G565	0967
● Model G279, G280 size 10 (ISO6263)	0968
● Model G281, G282 size 16 (ISO6263)	0968

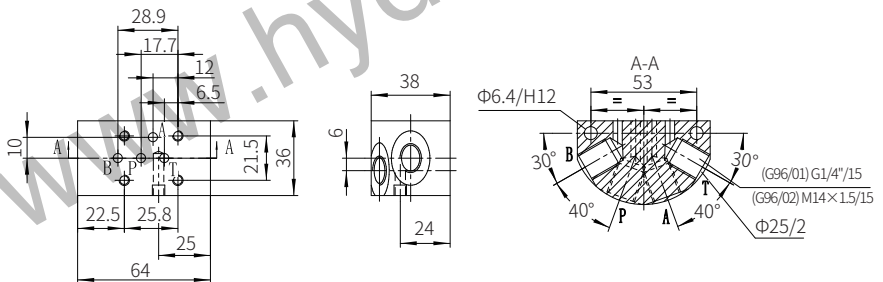


Model G115/01 (G1/4"), Model G115/02 (M14×1.5)



Model	D1	Weight
G115/01	G1/4"	0.7kg
G115/02	M14×1.5	

Model G96/01 (G1/4"), Model G96/02 (M14×1.5)

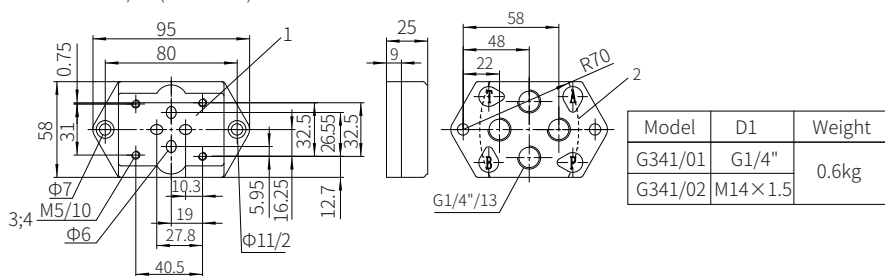


Model	D1	Weight
G96/01	G1/4"	0.7kg
G96/02	M14×1.5	

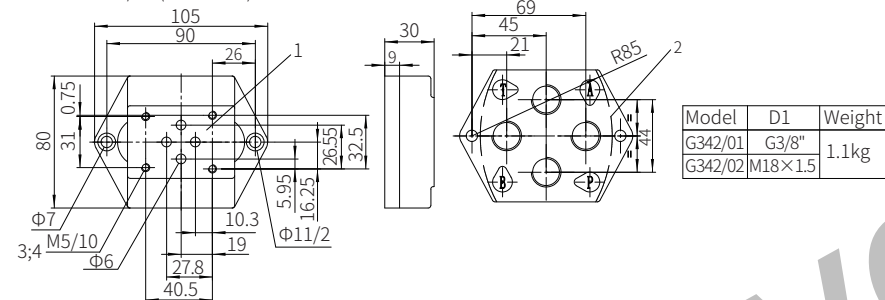
Subplate, Size 6 (ISO4401)

Size unit: mm

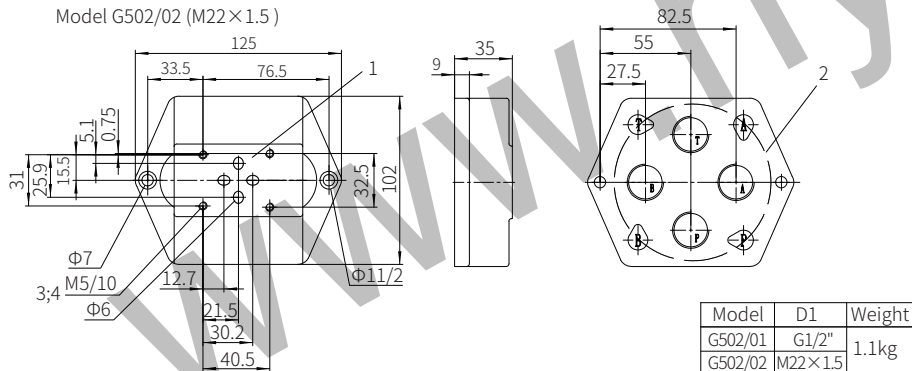
Model G341/01 (G1/4")  
Model G341/02 (M14×1.5)



Model G342/01 (G3/8")  
Model G342/02 (M18×1.5)



Model G502/01 (G1/2")  
Model G502/02 (M22×1.5)

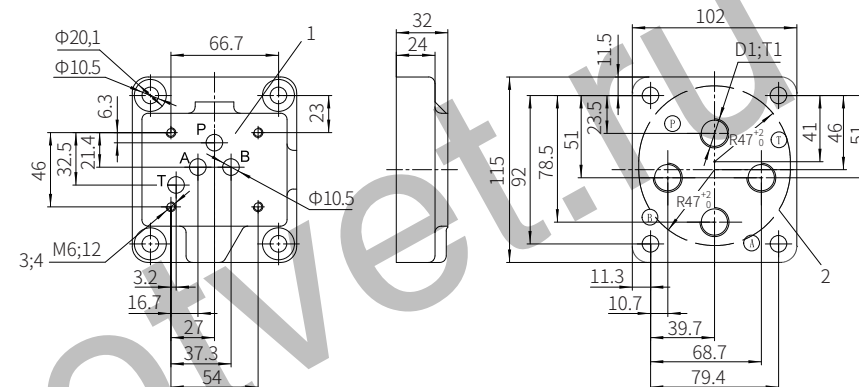


- 1 Valve mounting face grinding
- 2 Front panel opening
- 3 Valve fixing screw holes
- 4 Valve fixing screw: 4pcs hexagon screws M5, GB/T70.1-10.9 grade

Subplate, Size 10 (ISO4401)

Size unit: mm

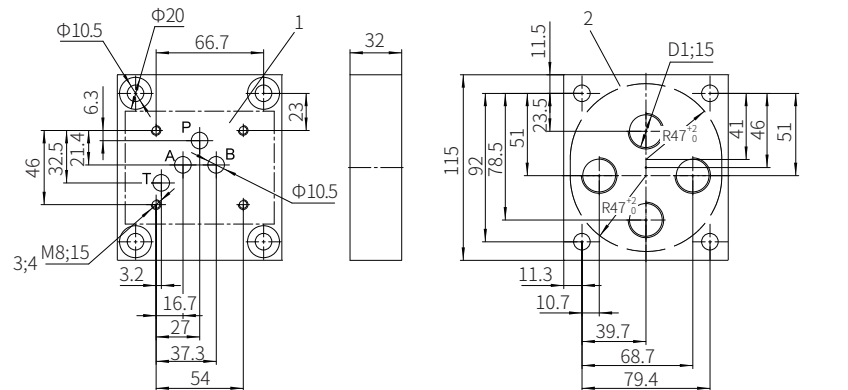
Model G66/01 (G3/8") , Model G67/01 (G1/2")  
Model G66/02 (M18×1.5) , Model G67/02 (M22×1.5)  
For spool and seat directional valve, pressure up to 315bar



- 1 Valve mounting face grinding
- 2 Front panel opening
- 3 Valve fixing screw holes
- 4 Valve fixing screw : 4pcs hexagon screws M6, GB/T70.1-10.9 grade

Model G292/01(02), Model G308/01(02), Model G377/01(02), Model G378/01(02)

For seat directional valve, pressure up to 630bar (not suitable for proportional valves and servo valves)

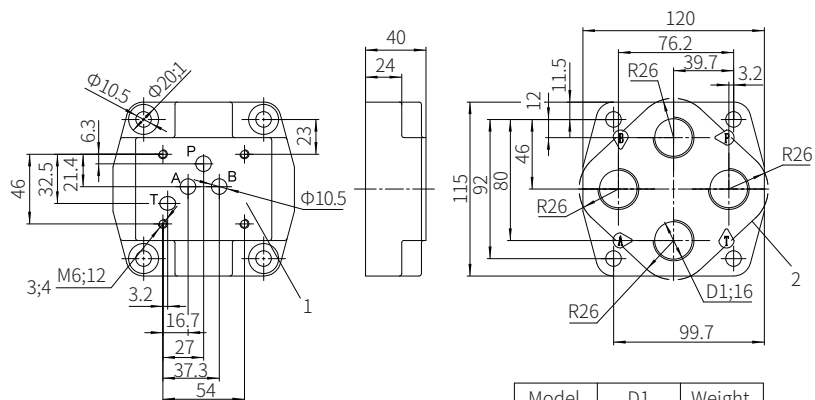


- 1 Valve mounting face grinding
- 2 Front panel opening
- 3 Valve fixing screw holes
- 4 No port B for subplate G292/01(02) and G308/01(02)
- 5 Valve fixing screw: 4pcs hexagon screws M8, GB/T70.1-10.9 grade

Subplate, Size 10 (ISO4401)

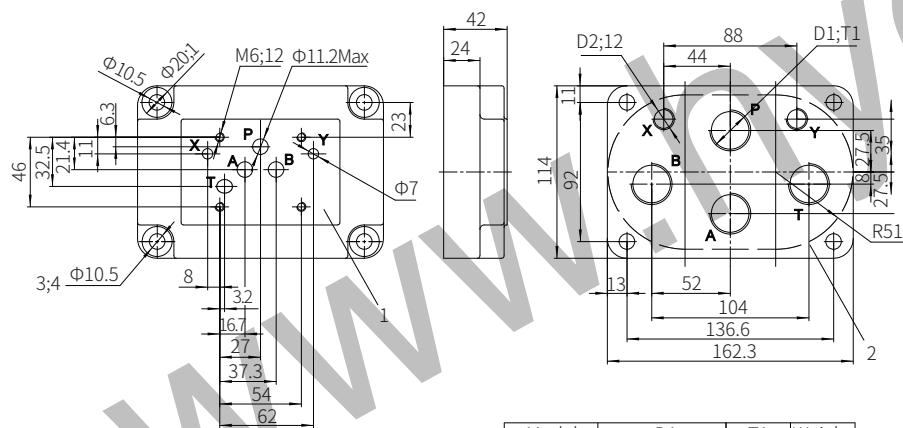
Size unit: mm

Model G534/01 (G3/4"), Model G534/02 (M27×2)  
For spool directional valve



Model	D1	Weight
G534/01	G3/4"	2.5kg
G534/02	M27×1.5	

Model G535/01 (G3/4"), Model G535/02 (M27×2), Model G536/01 (G1"), Model G536/02 (M33×2)  
For spool directional valve



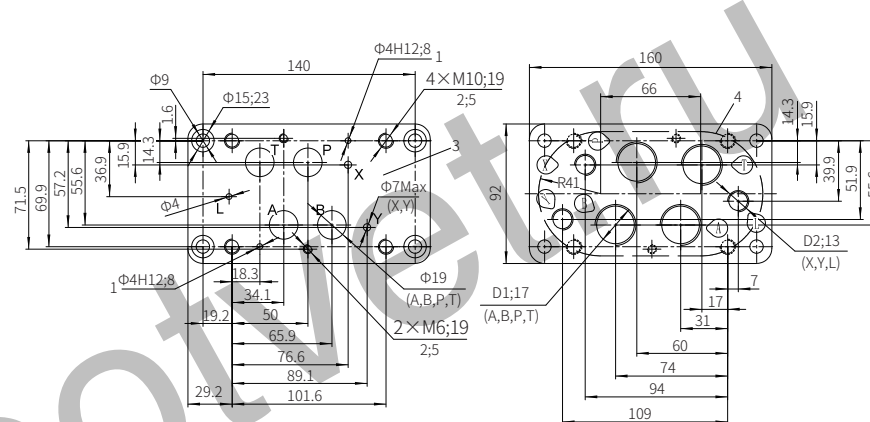
Model	D1	T1	Weight
G535/01(02)	G3/4" (M27×2)	16	3.6kg
G536/01(02)	G1" (M33×2)	18	

- 1 Valve mounting face grinding
- 2 Front panel opening
- 3 Valve fixing screw holes
- 4 Valve fixing screw: 4pcs hexagon screws M6, GB/T70.1-10.9 grade

Subplate, Size 16 (ISO4401)

Size unit: mm

Model G172/01 (G3/4"), Model G172/02 (M27×2)



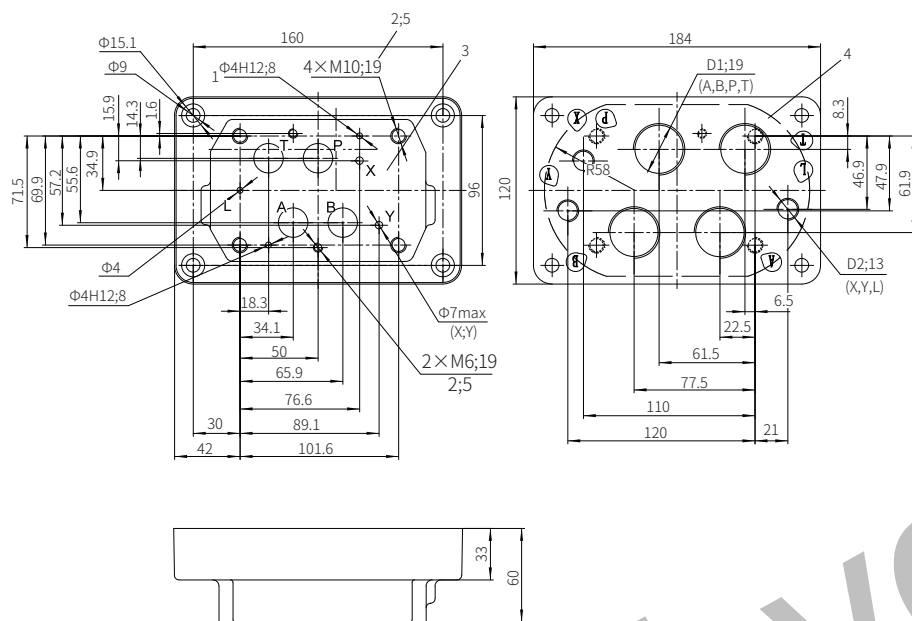
Model	D1	D2	Weight
G172/01	G3/4"	G1/4"	2.8kg
G172/02	M27×1.5	M14×1.5	

- 1 Locating pin hole
- 2 Valve fixing screw holes
- 3 Valve mounting face grinding
- 4 Front panel opening
- 5 Valve fixing screw:
  - 4pcs M10, GB/T70.1-10.9 grade
  - 4pcs M6, GB/T70.1-10.9 grade

Subplate, Size 16 (ISO4401)

Size unit: mm

Model G174/01 (G1"), Model G174/02 (M33×2)



08

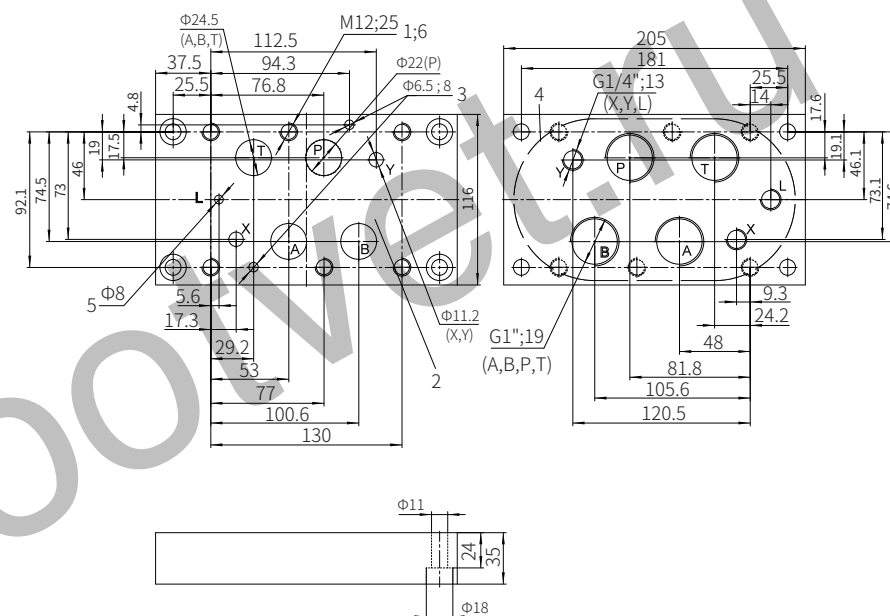
Model	D1	D2	Weight
G174/01	G1"	G1/4"	5.5kg
G174/02	M33×2	M14×1.5	

- 1 Locating pin hole
- 2 Valve fixing screw holes
- 3 Valve mounting face grinding
- 4 Front panel opening
- 5 Valve fixing screw:  
4pcs M10, GB/T70.1-10.9 grade  
4pcs M6, GB/T70.1-10.9 grade

Subplate, Size 25 (ISO4401)

Size unit: mm

Model G151/01 (G1"), Model G151/02 (M33×2); Model G153/01 (G1"), Model G153/02(M33×2)



08

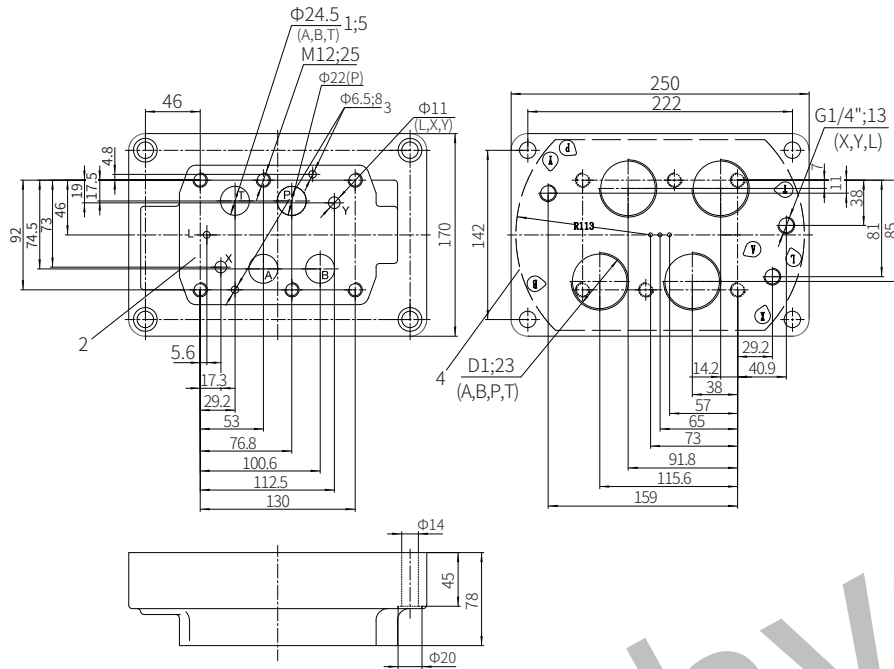
Model	D1	D2	Weight
G151/01	G1"	G1/4"	5.4kg
G151/02	M33×2	M14×1.5	
G153/01	G1"	G1/4"	
G153/02	M33×2	M14×1.5	

- 1 Locating pin hole
- 2 Valve fixing screw holes
- 3 Valve mounting face grinding
- 4 Front panel opening
- 5 Φ8mm connection hole to oil port L only drilled in subplate G153 (for hydraulic centered valves)
- 6 Valve fixing screw:  
6pcs M12, GB/T70.1-10.9 grade

Subplate, Size 25 (ISO4401)

Size unit: mm

Model G154/01, Model G154/02; Model G156/01, Model G156/02



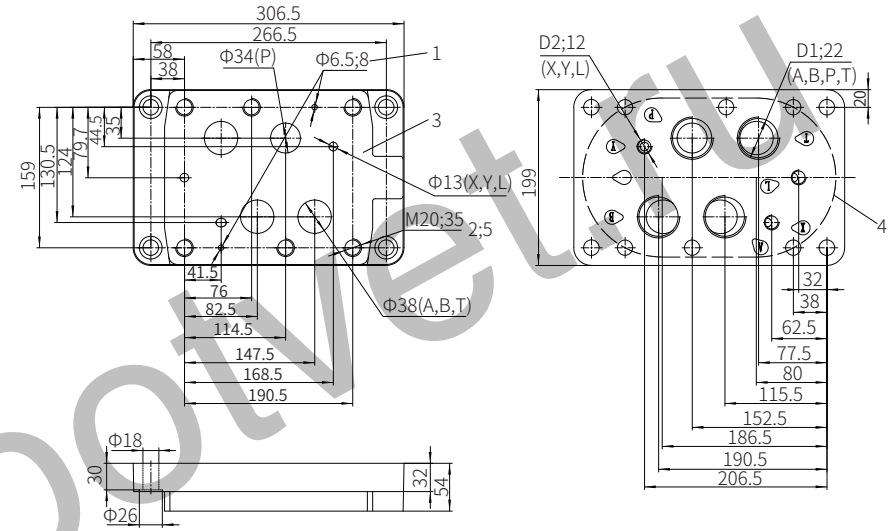
Model	D1	D2	Weight
G154/01	G1 1/4"	1/4"	18.5kg
G154/02	M42×2	M14×1.5	
G156/01	G1 1/2"	G1/4"	
G156/02	M48×2	M14×1.5	

- 1 Valve fixing screw holes
- 2 Valve mounting face grinding
- 3 Locating pin hole
- 4 Front panel opening
- 5 Valve fixing screw:  
6pcs M20, GB/T70.1-10.9 grade

Subplate, Size 32 (ISO4401)

Size unit: mm

Model G157/01 (G1 1/2"), Model G157/02 (M48×2)

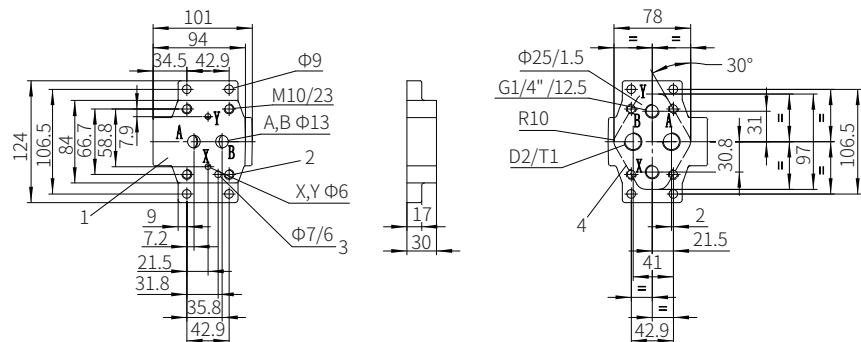


Model	D1	D2	Weight
G157/01	G1 1/2"	G3/8"	18.8kg
G157/02	M48×2	M18×1.5	

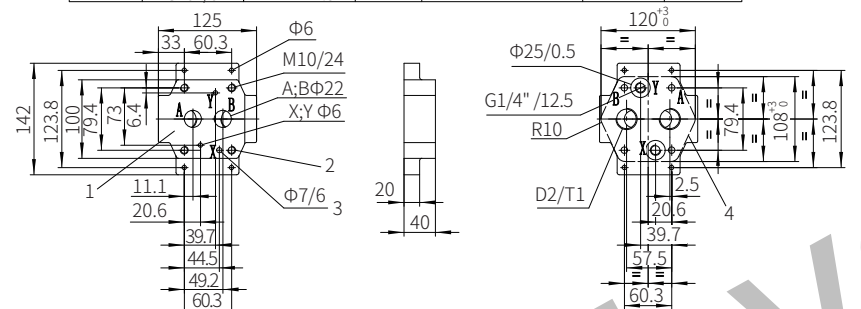
- 1 Locating pin hole
- 2 Valve fixing screw holes
- 3 Valve mounting face grinding
- 4 Front panel opening
- 5 Valve fixing screw:  
6pcs M20, GB/T70.1-10.9 grade

Subplate (ISO5781)

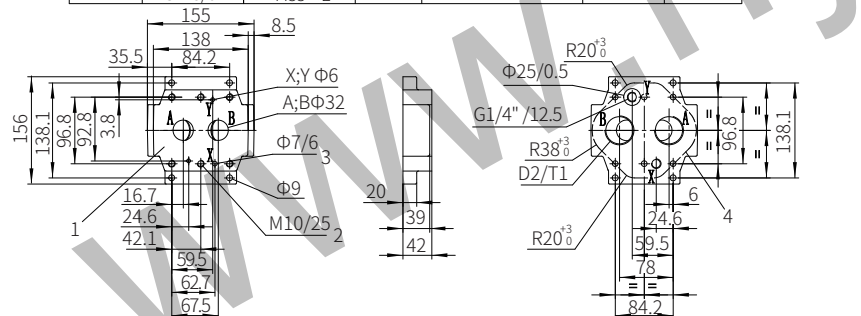
Size unit: mm



Size	Model	D2	T1	Valve fixing screw	Torque	Weight
10	G460/01	G3/8"	13	4pcs M10×40-10.9 (GB/T70.1-2000)	69Nm	1.7kg
	G460/02	M18×1.5				
	G461/01	G1/2"				
	G461/02	M22×1.5				



Size	Model	D2	T1	Valve fixing screw	Torque	Weight
25	G412/01	G3/4"	17	4pcs M10×50-10.9 (GB/T70.1-2000)	69Nm	3.3kg
	G412/02	M27×2				
	G413/01	G1"				
	G413/02	M33×2				



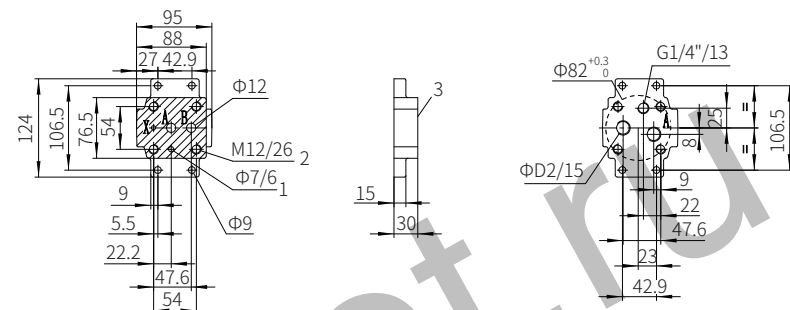
Size	Model	D2	T1	Valve fixing screw	Torque	Weight
32	G414/01	G1 1/4"	20.5	4pcs M10×60-10.9 (GB/T70.1-2000)	69Nm	5.0kg
	G414/02	M42×2				
	G415/01	G1 1/2"				
	G415/02	M48×2				

- 1 Valve mounting face grinding
- 2 Valve fixing screw holes
- 3 Locating pin hole
- 4 Incision outline of subplate

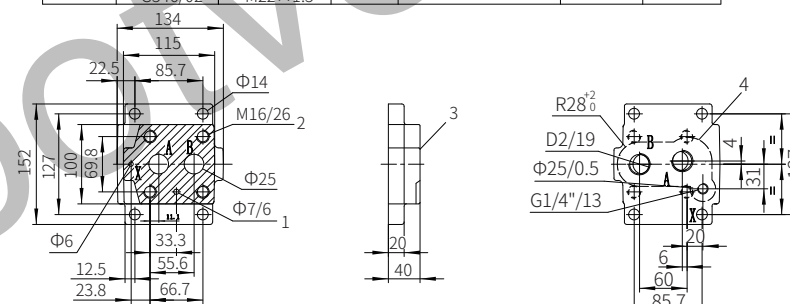
0964

Subplate (ISO6264)

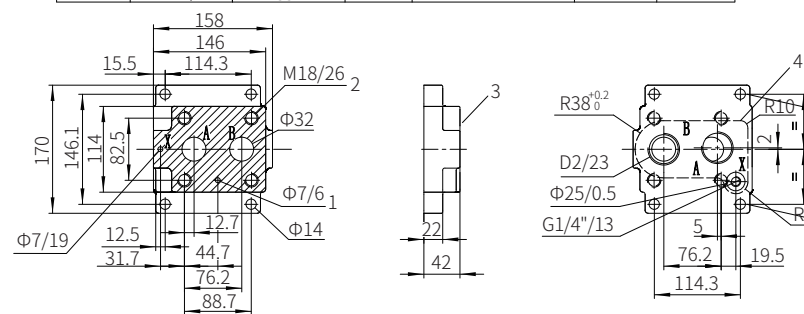
Size unit: mm



Size	Model	D2	T1	Valve fixing screw	Torque	Weight
10	G545/01	G3/8"	13	4pcs M12×50-10.9 (GB/T70.1-2000)	120Nm	1.5kg
	G545/02	M18×1.5				
	G546/01	G1/2"				
	G546/02	M22×1.5				



Size	Model	D2	T1	Valve fixing screw	Torque	Weight
25	G408/01	G3/4"	17	4pcs M16×50-10.9 (GB/T70.1-2000)	295Nm	3.0kg
	G408/02	M27×2				
	G409/01	G1"				
	G409/02	M33×2				



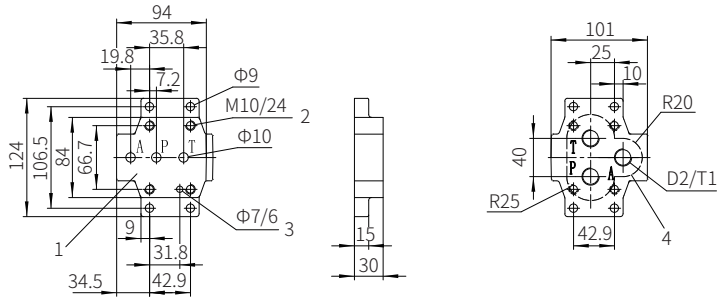
Size	Model	D2	T1	Valve fixing screw	Torque	Weight
32	G410/01	G1 1/4"	20.5	4pcs M18×50-10.9 (GB/T70.1-2000)	405Nm	5.0kg
	G410/02	M42×2				
	G411/01	G1 1/2"				
	G411/02	M48×2				

- 1 Valve mounting face grinding
- 2 Valve fixing screw holes
- 3 Locating pin hole
- 4 Incision outline of subplate

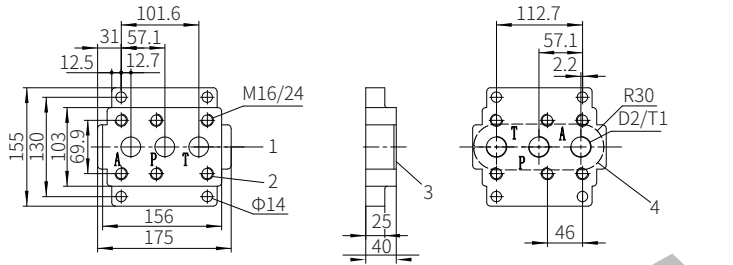
0965

Subplate (ISO6264)

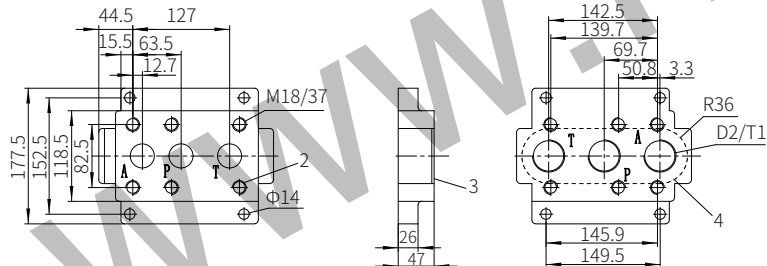
Size unit: mm



Size	Model	D2	T1	Valve fixing screw	Torque	Weight
10	G467/01	G3/8"	12	4pcs M10×80-10.9 (GB/T70.1-2000)	69Nm	1.7kg
	G467/02	M18×1.5				
	G468/01	G1/2"				
	G468/02	M22×1.5				



Size	Model	D2	T1	Valve fixing screw	Torque	Weight
25	G469/01	G3/4"	16	4pcs M16×100-10.9 (GB/T70.1-2000)	295Nm	5.2kg
	G469/02	M27×2				
	G470/01	G1"				
	G470/02	M33×2				



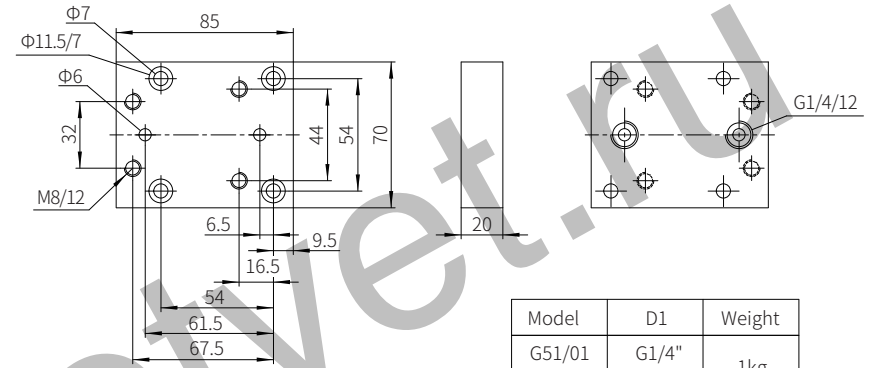
Size	Model	D2	T1	Valve fixing screw	Torque	Weight
32	G471/01	G1 1/4"	20	4pcs M18×120-10.9 (GB/T70.1-2000)	405Nm	8.2kg
	G471/02	M42×2				
	G472/01	G1 1/2"				
	G472/02	M48×2				

- 1 Valve mounting face grinding
- 2 Valve fixing screw holes
- 3 Locating pin hole
- 4 Incision outline of subplate

Subplate (G51、G565)

Size unit: mm

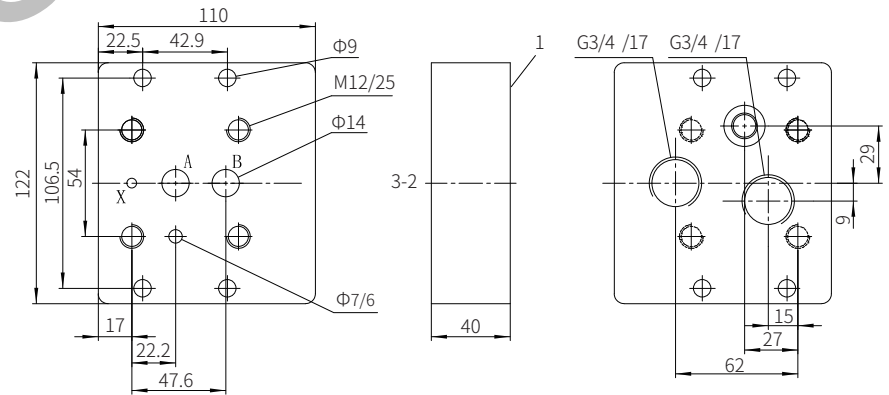
Model G51/01 (G1/4"), Model G51/02 (M14×1.5)



Model	D1	Weight
G51/01	G1/4"	1kg
G51/02	M14×1.5	

Valve fixing screw 4pcs M8, GB/T70.1-10.9 grade

Model G565/01 (G3/4"), Model G565/02 (M27×2)

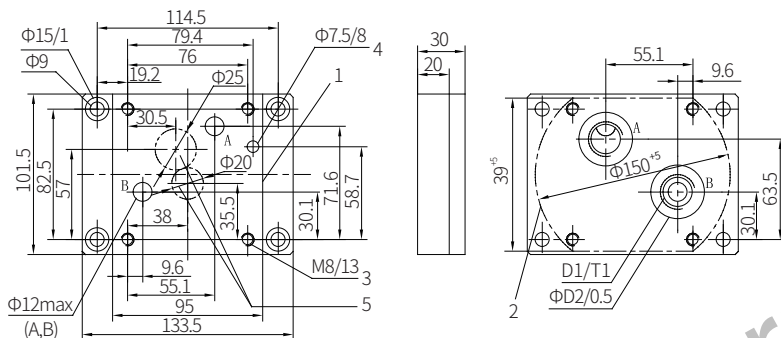


- Valve fixing screw 4pcs M12, GB/T70.1-10.9 grade
- 1 Valve mounting face grinding
- 2 Valve fixing screw holes

Model	D1	Weight
G565/01	G3/4"	1kg
G565/02	M27×2	

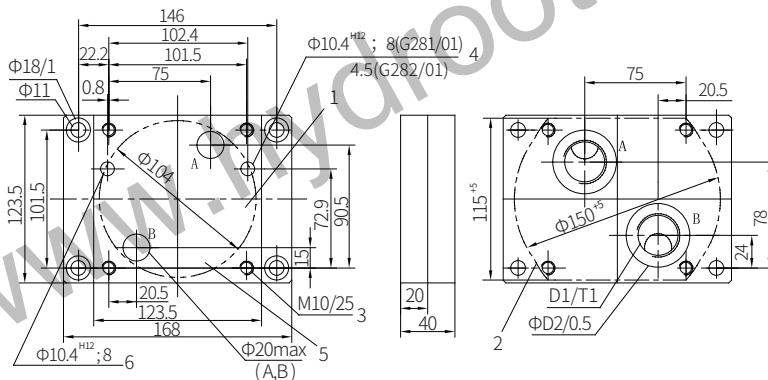


Model G279/01(G1/2), Model G279/02 (M22×1.5); Model G280/01(G3/4), Model G280/02 (M27×2)



Size	Model	Weight	D1	D2	T1	Valve fixing screw
10	G279/01(02)	2.8kg	G1/2(M22×1.5)	34	15	4 pcs hexagon screws M10 GB/T70.1 10.9 grade
	G280/01(02)		G3/4(M27×2)	42	17	

Model G281/01 (G1), Model G281/02(M33×2); Model G282/01(G11/4), Model G282/02 (M42×2)



Size	Model	Weight	D1	D2	T1	Valve fixing screw
16	G281/01(02)	5kg	G1(M33×2)	47	19	4 pcs hexagon screws M10 GB/T70.1 10.9 grade
	G282/01(02)		G11/4(M42×2)	56	21	

- 1 Valve mounting face grinding
- 2 Front panel opening
- 3 Valve fixing screw holes
- 4 Locating pin hole
- 5 Valve fixing screw: GB/T 70.1-M 12-10.9 (size 10)  
GB/T 70.1-M 16-10.9 (size 25)  
GB/T 70.1-M 18-10.9 (size 32)