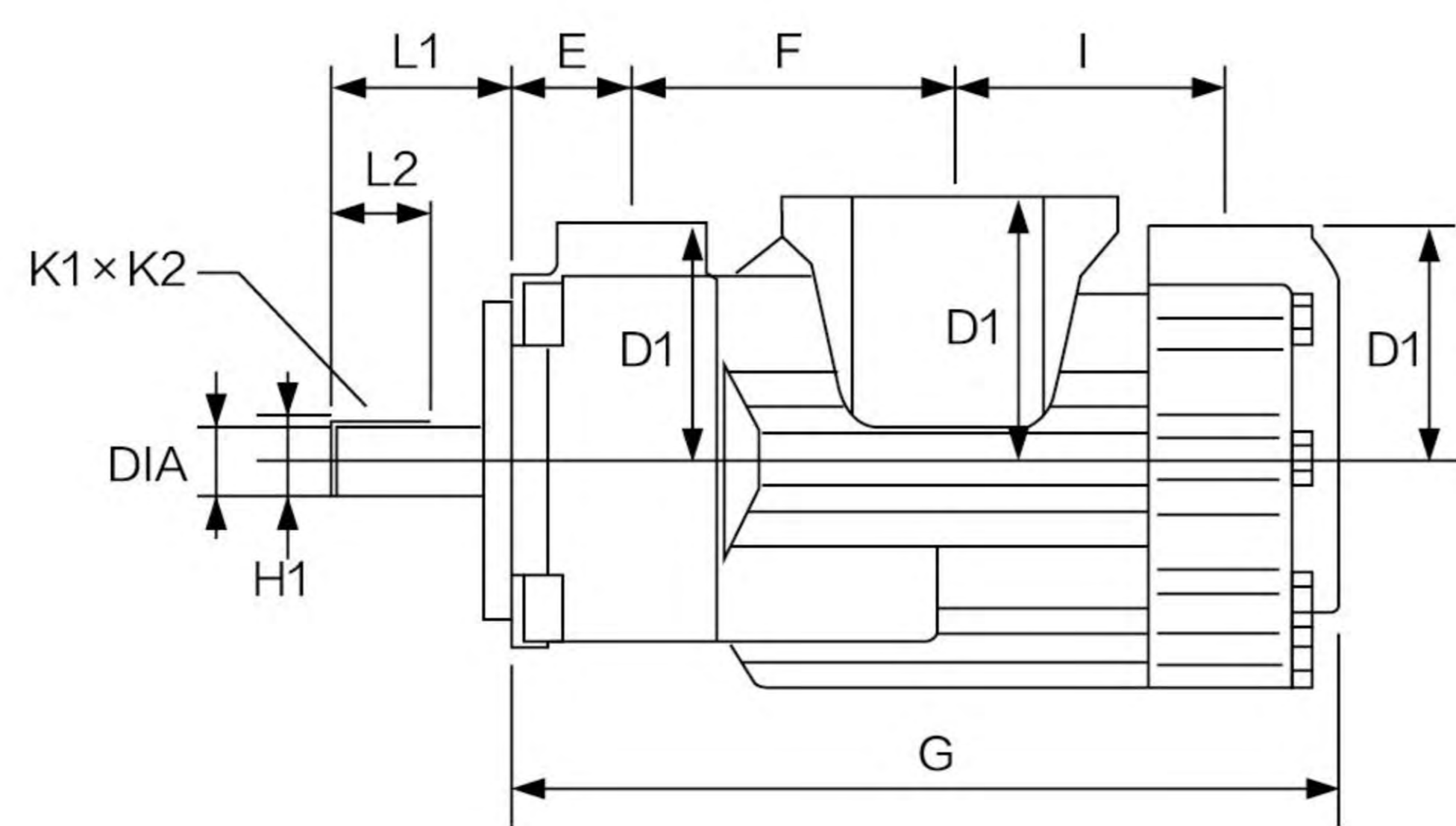
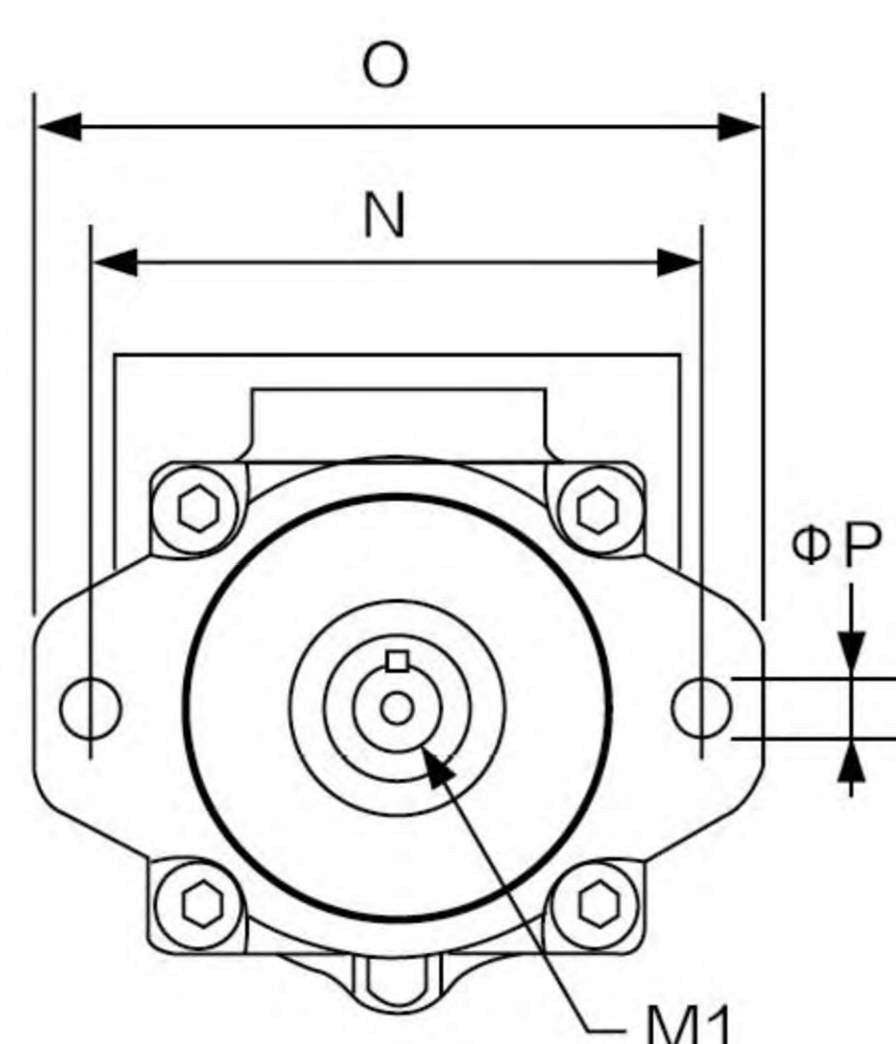
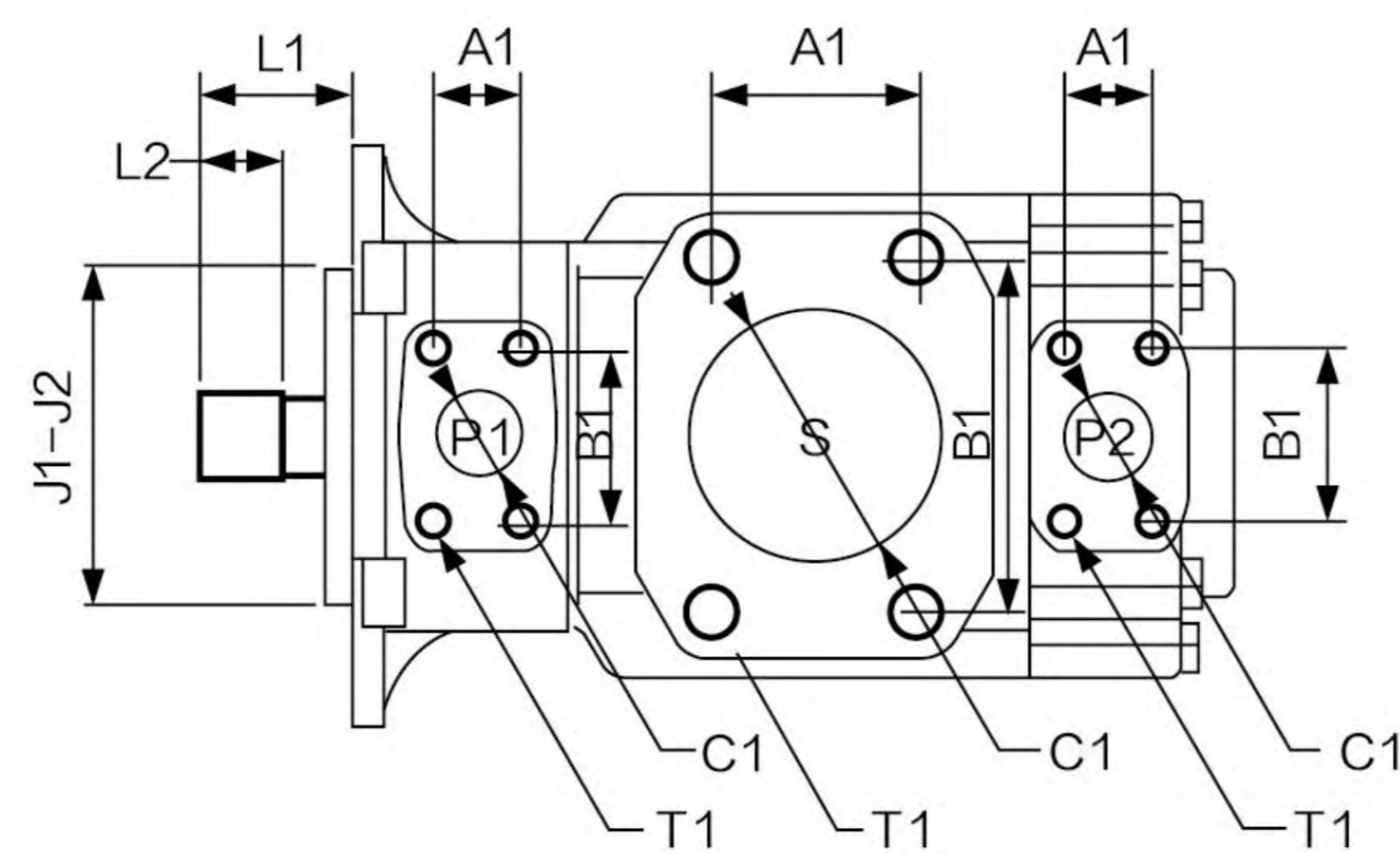


T7DD(S)
T7ED(S)
T7EE(S)
T67DC
T67EC

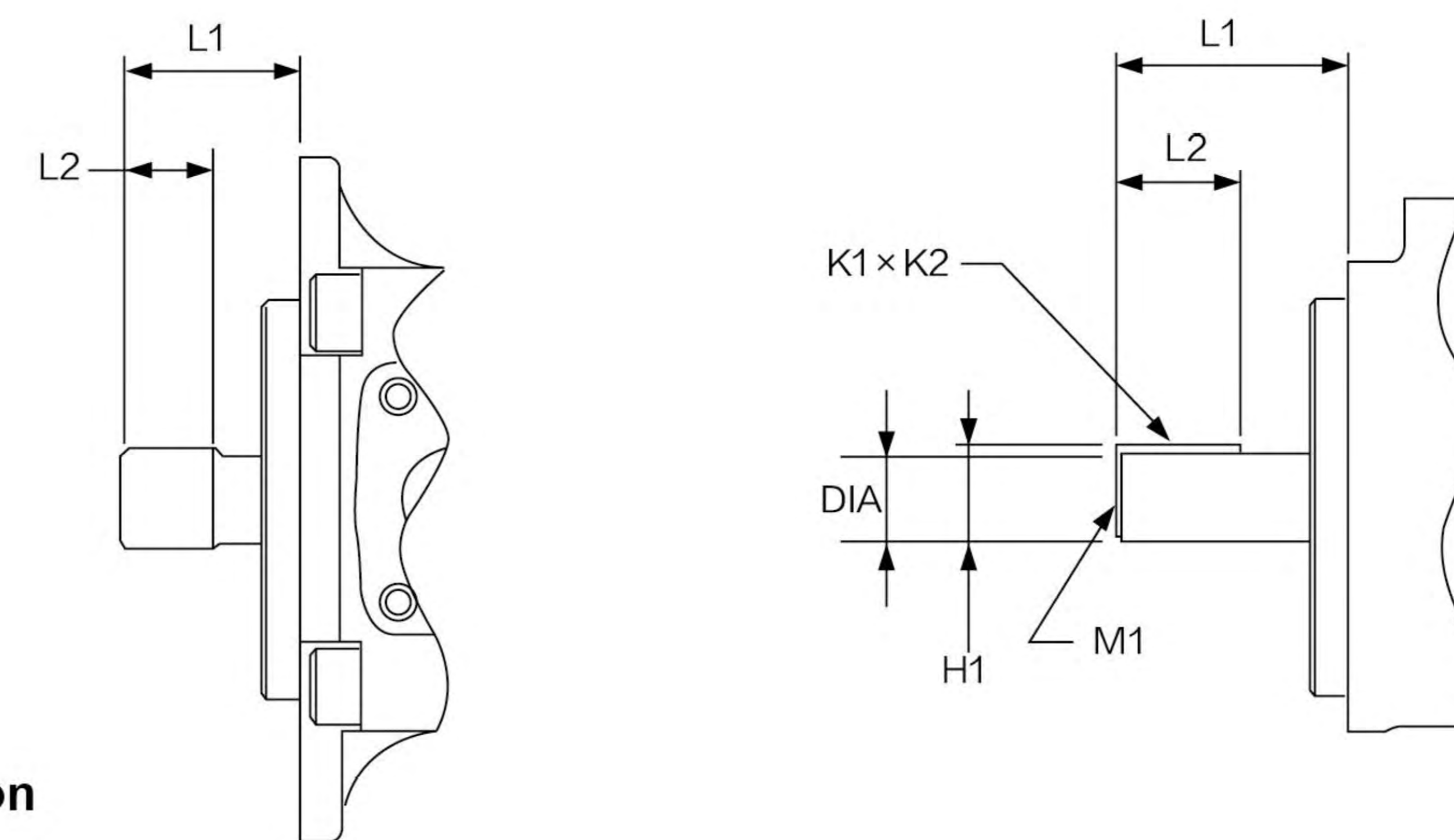


	T7DD	T7DDS	T67DC
E	38.3	38.3	38.1
F	148.3	148.3	114.3
G	347.7	347.7	286.0
I	134.2	134.2	109.5
J1	125.000	127.00	127.00
J2	124.937	126.95	126.95
N	180.0	181.0	181.0
O	213.0	213.0	212.4
ΦP	14.0	14.3	17.5

	T7ED	T7EDS	T67EC
E	52.3	52.3	52.3
F	133.5	133.5	118.5
G	361.0	361.0	331.6
I	148.2	148.2	136.7
J1	125.00	127.00	127.00
J2	124.94	126.95	126.95
N	180.0	181.0	181.0
O	213.0	213.0	213.0
ΦP	18.0	17.5	17.5

	T7EE	T7EES
E	42.9	42.9
F	167.3	167.3
G	406.8	406.8
I	157.9	157.9
J1	250.00	165.10
J2	249.93	165.05
N	224.5x224.5	224.5x224.5
O	273x273	273x273
ΦP	20.6	20.6

油口/Oil port	法兰 Flange	安装尺寸/Install Dimension(mm)						
		A1	B1	ΦC1	D1	T1口螺纹Thread		
T7DD(S)	P1	1-1/4"	F10	30.2	58.7	31.8	101.6	7/16"-14UNCx22.3
	P2	1-1/4"	F10	30.2	58.7	31.8	101.6	7/16"-14UNCx24
	S	4"	F32	77.8	130.2	101.6	114.9	5/8"-11UNCx30
T7ED(S)	P1	1-1/2"	F12	35.7	69.9	37.1	98.6	1/2"-13UNCx23.4
	P2	1-1/4"	F10	30.2	58.7	31.8	101.6	7/16"-14UNCx24
	S	4"	F32	77.8	130.2	101.6	102.4	5/8"-11UNCx30
T7EE(S)	P1	1-1/2"	F12	35.7	69.9	38.1	139.7	1/2"-13UNCx30
	P2	1-1/2"	F12	35.7	69.9	37.1	98.6	1/2"-13UNCx23.4
	S	4"	F32	77.8	130.2	101.6	115	5/8"-11UNCx30
T67DC	P1	1-1/4"	F10	30.2	58.7	31.8	82.6	7/16"-14UNCx22.3
	P2	1"	F08	26.2	52.4	25.4	74.7	3/8"-16UNCx19.0
	S	3"	F24	61.9	106.4	76.2	88.9	5/8"-11UNCx28.5
T67EC	P1	1-1/2"	F12	35.7	69.9	37.1	98.6	1/2"-13UNCx23.4
	P2	1"	F08	26.2	52.4	25.4	74.7	3/8"-16UNCx19.0
	S	3-1/2"	F28	69.9	120.7	88.9	102.4	5/8"-11UNCx29.5



轴伸 Shaft extension

型号 Model	轴伸代号 Shaft code	最大扭矩 Max torque (N.m)	L1	L2	DIA	K1xK2	H1	M1	
T7BB	5	●	70.0	40.0	25.006/24.993	8.00x7.00	28.22	-	
	1	●	58.2	31.7	22.225/22.200	4.76x4.71	24.53	-	
	2	●	71.4	38.1	25.400/25.370	6.35x6.30	28.22	M8x16	
	3	●	40.7	24.5	SAE J498b 1级, 径节 16/32, 13牙	SAE J498b class 1, Diametral pitch 16/32, 13T	-	-	
T7DB	5	●	87.9	50.0	32.018/32.002	10.00x8.00	35.0	M10x20	
	1	●	83.6	49.3	31.75/31.70	7.94x7.89	35.27	M10x20	
T7DBS	2	●	73.2	38.1	31.75/31.70	7.94x7.89	35.27	-	
	3	●	55.2	38.0	SAE J498b 1级, 径节 12/24, 14牙	SAE J498b class 1, Diametral pitch 12/24, 14T	-	-	
	4	●	77.7	48.02	SAE J498b 1级, 径节 12/24, 14牙	SAE J498b class 1, Diametral pitch 12/24, 14T	-	-	
	5	●	68.0	50.0	31.018/32.002	10.00x8.00	35.0	M10x20	
T7DDS	1	●	84.0	49.3	31.75/31.70	7.94x7.89	35.27	M10x20	
	2	●	91.0	50.8	38.10/38.05	9.52x9.47	40.36	M10x20	
	3	●	56.0	38.0	SAE J498b 1级, 径节 12/24, 14牙	SAE J498b class 1, Diametral pitch 12/24, 14T	-	-	
	4	●	46.0	24.5	SAE J498b 1级, 径节 16/32, 15牙	SAE J498b class 1, Diametral pitch 16/32, 15T	-	-	
T7EB、T7ED	5	●	90.0	50.0	38.018/38.002	10.00x8.00	41.3	M10x20	
T7EBS、T7EDS	1	●	90.9	50.8	38.10/38.05	9.52x9.47	42.36	M10x20	
	2	●	61.9	38.1	31.75/31.70	7.94x7.89	35.27	-	
	3	●	55.9	38.1	SAE J498b 1级, 径节 12/24, 14牙	SAE J498b class 1, Diametral pitch 12/24, 14T	-	-	
	4	●	62.2	31.5	SAE J498b 1级, 径节 12/24, 17牙	SAE J498b class 1, Diametral pitch 12/24, 17T	-	-	
T7EE	2	●	92.0	63.0	45.000/44.975	14.00x9.00	48.5	M12x24	
T7EES	1	●	90.9	63.5	38.100/38.075	9.52x9.47	42.36	M10x20	
	3	●	62.2	31.5	SAE J498b 1级, 径节 12/24, 17牙	SAE J498b class 1, Diametral pitch 12/24, 17T	-	-	
	4	●	75.0	48.8	SAE J498b 1级, 径节 8/16, 13牙	SAE J498b class 1, Diametral pitch 8/16, 13T	-	-	
	5	●	238	58.2	22.225/22.200	4.76x4.71	24.53	-	
T67CB、T6CC	2	●	357	71.4	25.400/25.370	6.35x6.30	28.22	M8x16	
	3	●	545	45.5	24.5	SAE J498b 1级, 径节 16/32, 15牙	SAE J498b class 1, Diametral pitch 16/32, 15T	-	
	5	●	343	40.7	24.5	SAE J498b 1级, 径节 16/32, 13牙	SAE J498b class 1, Diametral pitch 16/32, 13T	-	
	1	●	721	83.6	49.3	31.750/31.700	7.94x7.89	35.27	M10x20
T67DB、T67DC、T6DC	2	●	577	73.2	38.1	31.750/31.700	7.94x7.89	35.27	-
	3	●	55.2	38.0	SAE J498b 1级, 径节 12/24, 14牙	SAE J498b class 1, Diametral pitch 12/24, 14T	-	-	
	4	●	77.7	48.0	SAE J498b 1级, 径节 12/24, 14牙	SAE J498b class 1, Diametral pitch 12/24, 14T	-	-	
	5	●	83.4	60.0	34.900/34.875	7.94x7.89	38.42	M8x16	
T67EB、T67EC、T6EC、T6ED	1	●	90.9	50.8	38.100/38.050	9.52x9.47	42.36	M10x20	
	2	●	577	61.9	38.1	31.750/31.700	7.94x7.89	35.27	-
	3	●	55.7	38.0	SAE J498b 1级, 径节 12/24, 14牙	SAE J498b class 1, Diametral pitch 12/24, 14T	-	-	
	4	●	62.2	31.5	SAE J498b 1级, 径节 12/24, 17牙	SAE J498b class 1, Diametral pitch 12/24, 17T	-	-	

● 能在最大流量, 最高压力下工作。 ● work at maximum flow and pressure.