

Z1S...type Modular Check Valve



Z1S...30J...type

Sizes 6, 10, 16
Max. Working Pressure: 315 bar
Max. Flow: 100 L/min

Contents

Function and configuration	02
Specification	02
Symbols	03
Technical data	03
Characteristic curves	03
Unit dimensions:	04-05
· sizes 6 and 10	04
· sizes 16	05

Features

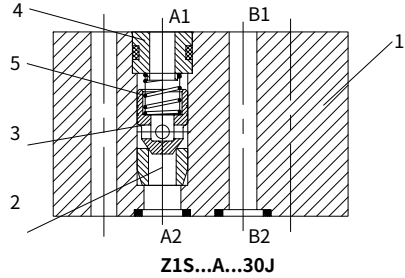
- Sandwich plate valve
for use in vertical sandwich installation
- 8 different checking functions, optional

Function and symbols

Z1S type valve is a direct operated check valve in sandwich plate design. It consists of the valve housing (1) and check valve cartridge (2).

It is used for the leak-free closure in one direction and allows free flow in the opposite direction.

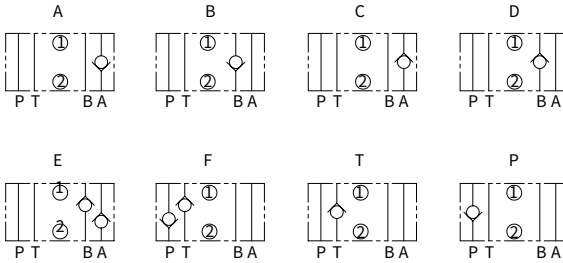
The stroke of the poppet (3) is limited by the spring seat (4). The integrated spring (5) holds the poppet (3) in the closed position.



Specification

Z1S					30J	★
Modular check valve		Further details in clear text				
Nominal size 6	= 6	No code = NBR seals				
Nominal size 10	= 10	V = FKM seals				
Nominal size 16	= 16	30J= 30J series				
Closed in port A (A1 to A2)	=A	1 = Crack pressure 0.5bar				
Closed in port B (B1 to B2)	=B	2 = Crack pressure 3bar				
Closed in port A (A2 to A1)	=C	3 = Crack pressure 5bar				
Closed in port B (B2 to B1)	=D					
Closed in ports A and B (A2 to A1) and (B2 to B1)	=E					
Closed in ports P and T (P1 to P2) and (T2 to T1)	=F					
Closed in port P (P1 to P2)	=P					
Closed in port T (T2 to T1)	=T					

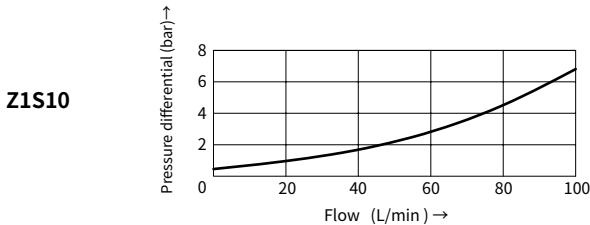
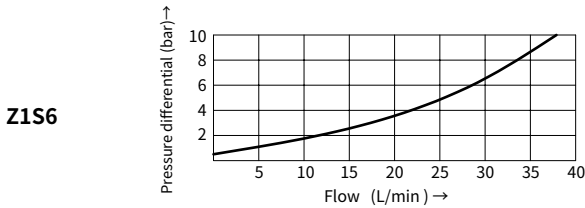
Symbols (① =valve side, ② = sub-plate side)



Technical data

Nominal size		6	10	16
Weight	kg	0.8	2.3	8.5
Max. flow -rate	L/min	42	100	200
Max. operating pressure	bar	To 315		
Crack pressure	bar	0.5, 3, 5		
Viscosity range	mm ² /s	-2.8 to 500		
Fluid temperature range	°C	-20 to +70		
Fluid		Mineral oil suitable for NBR and FKM seal Phosphate ester for FKM seal		
Degree of contamination		Maximum permissible degree of fluid contamination: Class 9. NAS 1638 or 20/18/15, ISO4406		

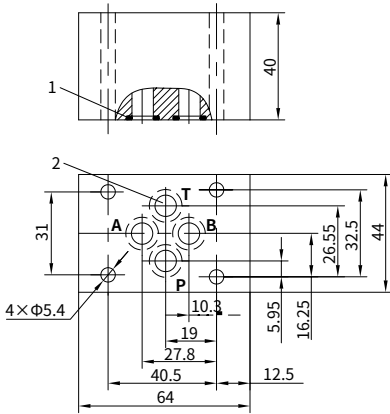
Characteristic curves (Measured at t=40°C ±5°C , using HLP46)



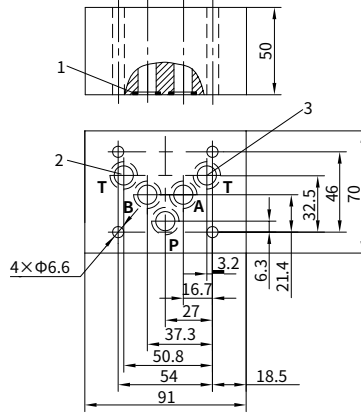
Unit dimensions (Sizes 6 and 10)

(Dimensions in mm)

Z1S6



Z1S10

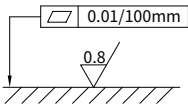
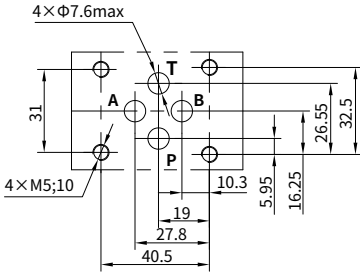


1 O-ring 9.25 x 1.78

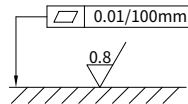
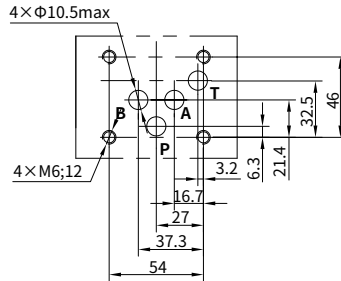
2 Check valve of Z1S6T and Z1S6F are integrated at the line.

1 O-ring 10.82 x 1.78

2 Port T of Z1S10T and Z1S10F is blocked.
3 Check valves of Z1S10T and Z1S10F are integrated at the line.



Requirement for mounting surface

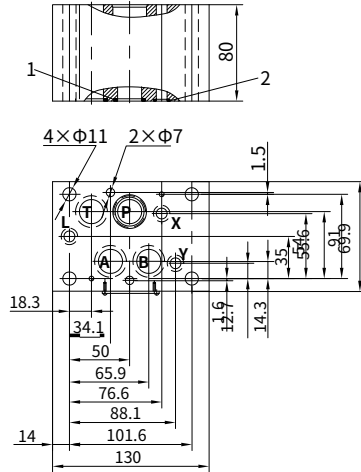


Requirement for mounting surface

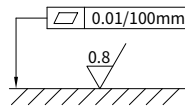
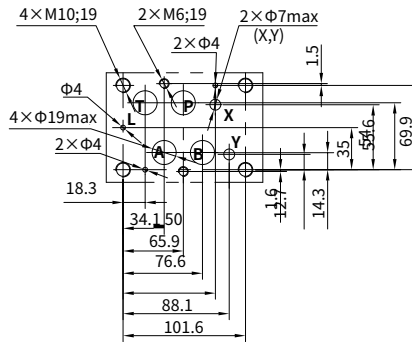
Unit dimensions (Sizes 16)

(Dimensions in mm)

01



- 1 O-rings 22 × 2.5 (Ports A, B, P, T)
- 2 O-rings 10 × 2 (Ports X, Y, L)



Requirement for mounting surface