

Filterelement Filter element

0950R005ON

Material-Nr.:

Material no.:

Bezeichnung:

Designation:

Filterfeinheit¹:

6 µm

Filtration grade¹:

Filtrationsquotient¹:

β7(c) = 200 / β8(c) = 1000 (ISO 16889)

Filtration ratio¹:

Filtermaterial¹:

Glasfasermaterial PWR / H..XL

Filter media¹:

glass fiber material PWR / H..XL

Kollapsdruckbeständigkeit bar [psi]:

30 [435]

Collapse pressure rating bar [psi]:

Temperaturbeständigkeit °C [°F]:

-40...100 [-40...212]

Temperature rating °C [°F]:

Bypass Öffnungsdruck bar [psi]:

3 [43.5]

Bypass cracking pressure bar [psi]:

Dichtungswerkstoff:

NBR

Sealing material:

Abmessungen mm [inch]:

Dimensions mm [inch]:

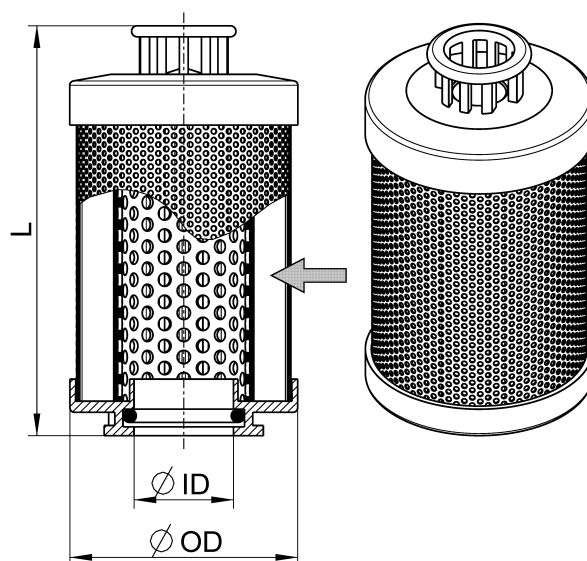
OD = 143,5 [5.7]

ID = 96,5 [3.8]

L = 363,0 [14.3]

Gewicht kg [lbs]: 2,5 [5.5]

Weight kg [lbs]:



Vereinfachte Darstellung
The drawing shown is a simplistic representation