

Reversible motor driver

BA6109

The BA6109 is a monolithic IC used for driving reversible motors. Two control logic inputs allow three output modes : forward, reverse, and stop.

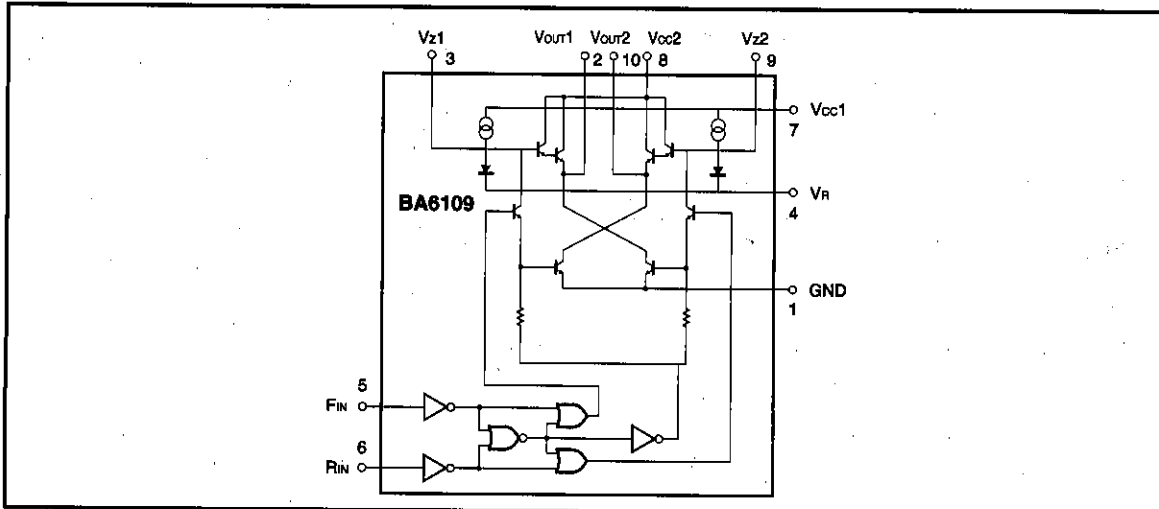
When switching from the forward or reverse mode to the stop mode, a brake is applied by absorbing the counter-electromotive force of the motor. The IC has a built-in function to absorb motor rush currents that occur when switching the output mode.

Output voltage is determined by the external constant voltage diode connected between pin 4 and GND. The motor drive transistor can tolerate a rush current of up to 800mA. The IC can drive motors with various operating voltages. Because the IC operates with a current less than 50 μ A, you can directly connect the IC with CMOSs or other control logic outputs.

●Features

- | | |
|---|--|
| 1) Motor driving power transistors are built in; a rush current up to 800mA is allowable. | 4) Interfaces with MOS LSI devices. |
| 2) Brake is applied when stopping the motor. | 5) Small number of external parts. |
| 3) Built-in function to absorb motor rush currents. | 6) Wide range of operating supply voltage (6 ~ 18V). |
| | 7) Available in a 10-pin SIP package. |

●Block diagram



● Measurement circuit

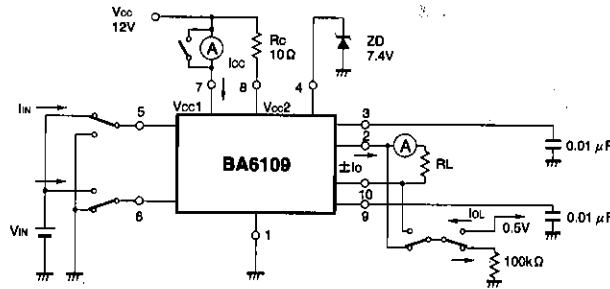


Fig.1

● Absolute maximum ratings (Ta=25°C)

Parameter	Symbol	Limits	Unit	FIN	RIN	Vout1	Vout2
Power supply voltage	Vcc	18	V				
Power dissipation	Pd	2200*1	mW				
Operating temperature	Topr	-25~75	°C	1	1	L	L
Storage temperature	Tstg	-55~125	°C	0	1	L	H
Output current	IOUT	800*2	mA	1	0	H	L
Input voltage	VIN	-0.3~Vcc	V	0	0	L	L

* 1 Refer to the power damping characteristics for details.

* 2 500 μs pulse with a duty ratio of 1%.

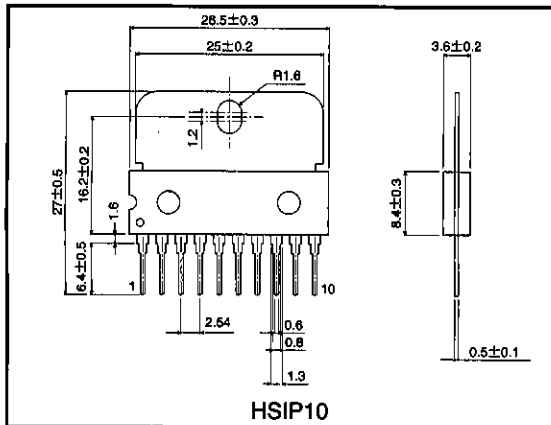
Input level 1 is 2.0 V or more

Input level 2 is 0.7 V or less

● Electrical characteristics (unless otherwise noted, Ta=25°C and Vcc1=12V)

Parameter	Symbol	Min.	Typ.	Max.	Unit	Conditions	Measurement Circuit
Operating supply voltage 1	Vcc1	6.0	—	18.0	V	—	Fig.1
Operating supply voltage 2	Vcc2	—	—	18.0	V	—	Fig.1
Quiescent current	I _o	—	15.0	30.0	mA	5, 6pin : GND, R _L =∞	Fig.1
Minimum input ON current	I _{IN}	—	10.0	50.0	μA	R _L =∞	Fig.1
Input threshold voltage	V _{INT}	0.7	—	2.0	V	R _L =∞	Fig.1
Output leakage current	I _{OL}	—	—	1.0	mA	5, 6pin : GND, R _L =∞	Fig.1
Output voltage	V _O	5.2	5.8	6.9	V	R _L =60Ω, ZD=7.4V	Fig.1

● External dimensions (Units: mm)



Notes

- The contents described in this catalogue are correct as of March 1997.
- No unauthorized transmission or reproduction of this book, either in whole or in part, is permitted.
- The contents of this book are subject to change without notice. Always verify before use that the contents are the latest specifications. If, by any chance, a defect should arise in the equipment as a result of use without verification of the specifications, ROHM CO., LTD., can bear no responsibility whatsoever.
- Application circuit diagrams and circuit constants contained in this data book are shown as examples of standard use and operation. When designing for mass production, please pay careful attention to peripheral conditions.
- Any and all data, including, but not limited to application circuit diagrams, information, and various data, described in this catalogue are intended only as illustrations of such devices and not as the specifications for such devices. ROHM CO., LTD., disclaims any warranty that any use of such device shall be free from infringement of any third party's intellectual property rights or other proprietary rights, and further, assumes absolutely no liability in the event of any such infringement, or arising from or connected with or related to the use of such devices.
- Upon the sale of any such devices; other than for the buyer's right to use such devices itself, resell or otherwise dispose of the same; no express or implied right or license to practice or commercially exploit any intellectual property rights or other proprietary rights owned or controlled by ROHM CO., LTD., is granted to any such buyer.
- The products in this manual are manufactured with silicon as the main material.
- The products in this manual are not of radiation resistant design.

The products listed in this catalogue are designed to be used with ordinary electronic equipment or devices (such as audio-visual equipment, office-automation equipment, communications devices, electrical appliances, and electronic toys). Should you intend to use these products with equipment or devices which require an extremely high level of reliability and the malfunction of which would directly endanger human life (such as medical instruments, transportation equipment, aerospace machinery, nuclear-reactor controllers, fuel controllers, or other safety devices) please be sure to consult with our sales representatives in advance.

- Notes when exporting
 - It is essential to obtain export permission when exporting any of the above products when it falls under the category of strategic material (or labor) as determined by foreign exchange or foreign trade control laws.
 - Please be sure to consult with our sales representatives to ascertain whether any product is classified as a strategic material.