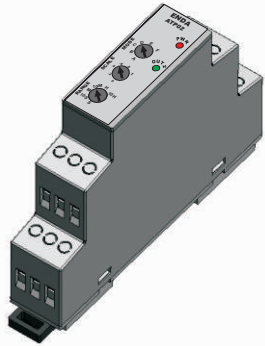




Read this document carefully before using this device. The guarantee will be expired by device damages if you don't attend to the directions in user manual. Also we don't accept any compensations for personal injury, material damage or capital disadvantages.

## ENDA ATP02 Rail Mounted Multi Functional Analog Timer

Thank you for choosing ENDA ATP02 rail mounted multi functional analog timer.



- \* Triggering with supply voltage
- \* Timing function for contact output
- \* 6 Different timing mode (A, B, C, D, E, F)
- \* 6 Different timing units (S, 10S, M, 10 M, H, 10 H)
- \* OFF-Delay with control Input can be selected.
- \* Rail mounted.
- \* Screw-terminal connection.
- \* CE marked according to European Norms



ORDER CODE	
Product Basic Code	ATP02 -xV
Rail mounted multi functional analog timer	
Supply Voltage	
UV	90-250V AC
LV	24V AC/DC

### Technical Specifications

ENVIRONMENTAL CONDITIONS	
Ambient/storage temperature	0 ... +50°C/-25 ... +70°C (in the environment icing and condensation should not be.)
Max. relative humidity	80%, up to 31°C decreasing linearly 50% at 40°C
Rated pollution degree	IP20, According to EN 60529
Height	Max. 2000m

Do not use the device in locations subject to corrosive and flammable gasses.

ELECTRICAL CHARACTERISTICS	
Supply voltage	90-250V AC 50/60Hz ; 24V AC/DC 50/60Hz
Power consumption	Max. 10VA
Connection	Screw-terminal connection.
Scale	0-1 Desired range can be adjusted.
Reset time	Max. 0.04 seconds.
Accuracy	Depending on the effect of voltage: max %0.2 Depending on the set value settings: max %4.5 Depending on the effect of temperature :max %1
EMC	EN 61326-1: 2012
Safety requirements	EN 61010-1: 2010 (pollution degree 2, overvoltage category II)
Insulation test voltage	3kV AC min. 1 minute, 4,2kV DC min. 1 minute.

OUTPUTS	
Control outputs	Relay: 250V AC, 8A (for resistive load), NO+NC
Life expectancy for relays	Without load 10.000.000 operation; 250V AC, 10A resistive load 50.000 operation.
Control output state	LED control output is lights up when device is powered and flashes as long as the timer is running.

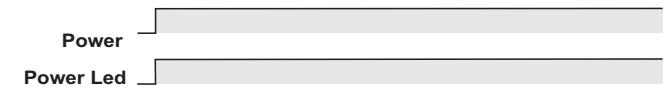
CONTROL	
Timing function	A, B, C, D, E, F Modes can be selected.
Timing unit	Second, 10 seconds, minute, 10 minutes, hour, 10 hours can be selected.

HOUSING	
Mounting	Rail mounted (EN 60715, Th35)
Dimensions	W18xH90xD66mm
Weight	Approx. 90g (after packaging)
Enclosure material	Self extinguishing plastics.

While cleaning the device, solvents (thinner, benzene, acid etc.) or corrosive materials must not be used.

### OUTPUT CONTROL

#### ATP02 - xV



Mode (A,B,C,D,E,F)	Output Graphic ( t : manipulated time)
<b>Mode A :</b> For the relay to trigger delayed timing (ON-Delay)	
<b>Mode B :</b> The relay's beginning to trigger last timing (ON-Power)	
<b>Mode C :</b> Initial periodic timing for the relay's trigger	
<b>Mode D :</b> OFF-Delay With Control Input	
<b>Mode E :</b> For the relay's trigger single pulse delay timing	
<b>Mode F :</b> The relay's trigger for periodic pulse timing	

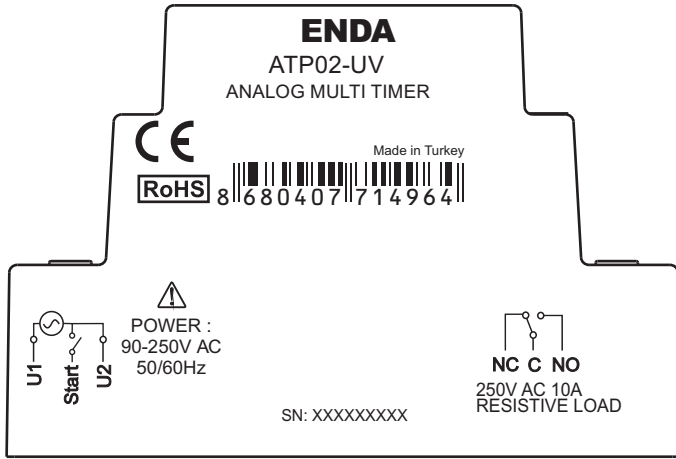


SISEL MÜHENDİSLİK ELEKTRONİK SAN. VE TİC. A.Ş.  
 Şerifali Mah. Barbaros Cad. No:18 Y.Dudullu 34775  
 ÜMRANIYE/İSTANBUL-TURKEY  
 Tel : +90 216 499 46 64 Pbx. Fax : +90 216 365 74 01  
 url : www.enda.com.tr

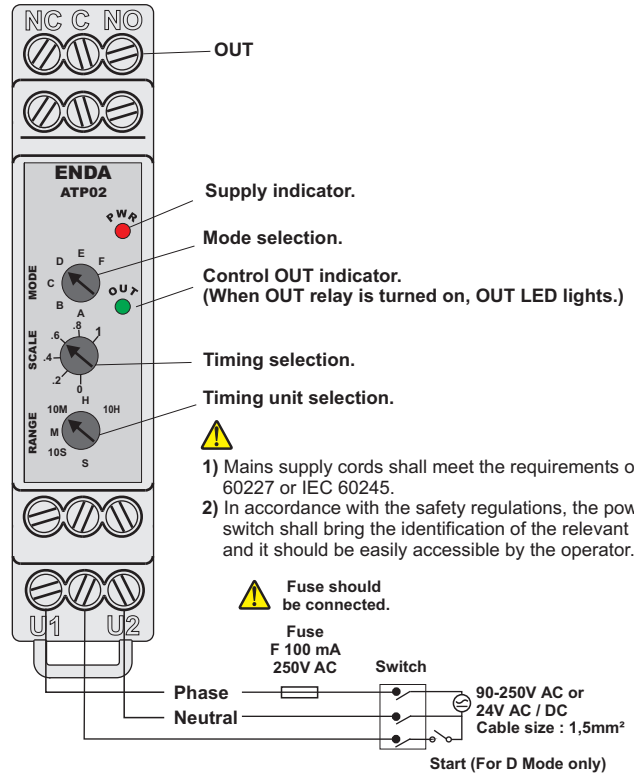


ATP02-EN-02-220103

## CONNECTION DIAGRAM

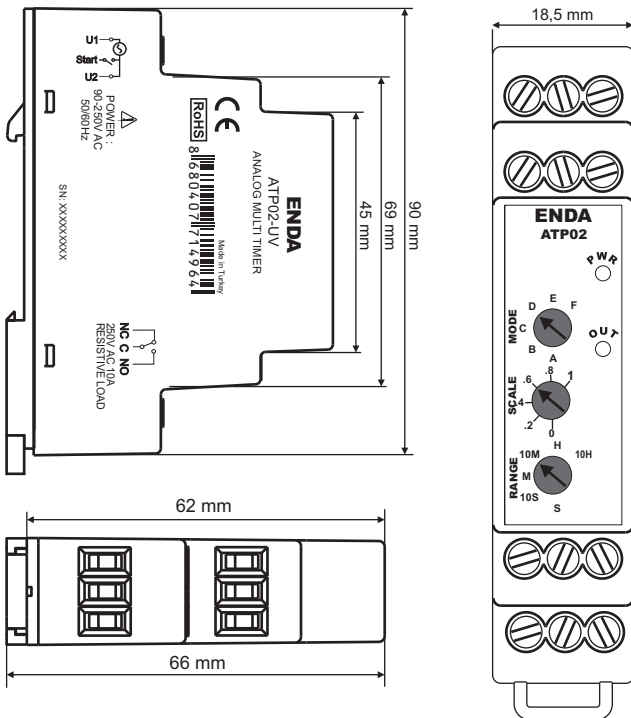


**ENDA ATP02** Series timers are rail mounted devices. Make sure that the device is used only for intended purpose. The shielding must be grounded on the instrument side. During an installation, all of the cables that are connected to the device must be free of energy. The device must be protected against inadmissible humidity, vibrations, severe soiling and make sure that the operation temperature is not exceeded. All input and output lines that are not connected to the supply network must be laid out as shielded and twisted cables. These cables should not be close to the power cables or components. The installation and electrical connections must be carried on by a qualified staff and must be according to the relevant locally applicable regulations.



Holding screw  
0.4-0.5Nm.

## DIMENSIONS



## MONTAGE

