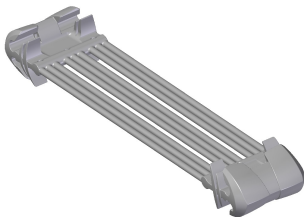
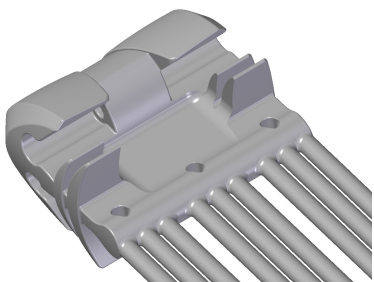
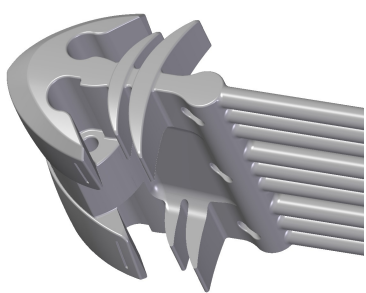
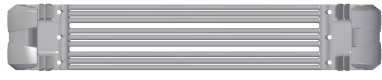
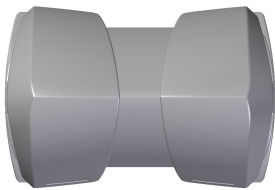
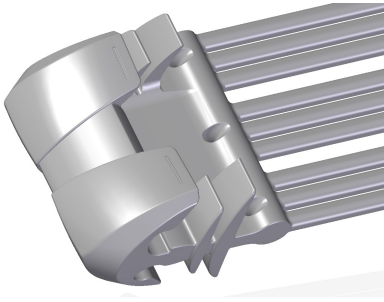


Design

(19) Registration office code	EM
Design number	003001999-0003
(21) Application number	003001999
(25) Application language code	es
Second language code	en
(22) Application date	25-02-2016
(43)/(44) Application published	
Application reference	G-GYM
(11) Registration number	
(15) Registration date	25-02-2016
Publication date	08-03-2016
Design description	No
(46) End of deferment	
(18) Expiry date	25-02-2021
Effective date	25-02-2016
Design current status code	Registered and fully published
Design current status date	04-03-2016
Comment	
(82) Statements contained in the application	

(55) Representation (views of design)





Indication of the product and classification

Language code

⁽⁵⁴⁾ Indication product

bg	Аксесоари за спорт
cs	Sportovní příslušenství
da	Sportstilbehør
de	Sportzubehör
el	Συμπληρώματα (αξεσουάρ) για αθλήματα
en	Sports accessories
es	Accesorios para el deporte
et	Sporditarvikud
fi	Urheiluvälineet
fr	Accessoires de sport
hr	Sportska oprema
hu	Sportkiegészítők
it	Accessori per lo sport
lt	Sportiniai priedai
lv	Sporta piederumi

Language code	(54) Indication product
mt	Aċċessorji ta' l-isports
nl	Sportaccessoires
pl	Akcesoria sportowe
pt	Acessórios de desporto
ro	Accesorii sportive
sk	Športová výstroj
sl	Športna oprema
sv	Sporttillbehör
-	-
(51) Locarno classification	21.02

(71)(73)(78) Owner

Applicant Identifier	698739
Organization name	eXpresio, estudio creativo
LegalForm	S.L.
Applicant legal entity	Legal Entity
Applicant nationality code	ES
Country code	ES
Street	Tossalet, 48
City	La Nucía
Postcode	03530

(74) Representative

Representative identifier	44008
Last name	GARRIGUES IP, S.L.P
Representative nationality code	ES
Country code	ES
Street	C/ San Fernando 57
City	Alicante
Postcode	03001

(72) Designer

Designer identifier	Designer name
26395	Carlos Peydró García

⁽⁷⁵⁰⁾ **Correspondence address**

No entry for the design number EM700000003001999-0003

⁽²³⁾ **Exhibition priority**

No entry for the design number EM700000003001999-0003

⁽³⁰⁾ **Priority**

No entry for the design number EM700000003001999-0003

Publication

Publication identifier	Publication section	Publication date
2016/046	A.1	08-03-2016

Recordals

No entry for the design number EM700000003001999-0003

Renewals

No entry for the design number EM700000003001999-0003