

SPRING RETURN DAMPER ACTUATORS

ACTUATORS

DxFx.03

3 Nm, ON/OFF, FLOATING AND PROPORTIONAL CONTROL

The 3 Nm Series Electric Spring Return Actuators are direct-mount actuators.

These bidirectional actuators do not require a damper linkage, and are easily installed on round shafts or square shafts using the standard shaft clamp included with the actuator.

A single Series Electric Spring Return Actuator provides 3 Nm running and spring return torque.

An integral line voltage auxiliary switch indicates end stop position, or performs switching functions within the selected rotation range.

This Joventa Series Actuators provide 95° of rotation.

A graduated scale from -5° to 90° and a position indicator provide visual indication of stroke.

When power fails during service, the mechanical spring return system provides rated torque to the connected equipment, returning it to the home position.

The series includes the following control options:

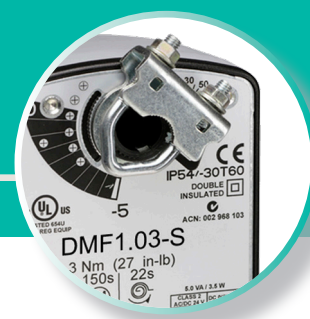
- ON/OFF, 24 V, 100 to 240 VAC power
- ON/OFF and floating point, 24 V power
- Proportional, 24 V power, for 0(2) to 10 VDC or 0(4) to 20 mA control signal

FEATURES

- 3 Nm rated torque
- Direct-coupled design
- Reversible mounting
- Electronic stall detection
- Double-insulated construction
- Microprocessor-controlled brushless DC motor (DBF and DMF types)
- External mode selection switch (DBF and DMF types)
- Integral cables with colored and numbered conductors
- Optional Integrated Auxiliary Switch
- Override control (proportional models only)
- Manufactured under International Standards Organization (ISO) 9001 Quality Control Standards

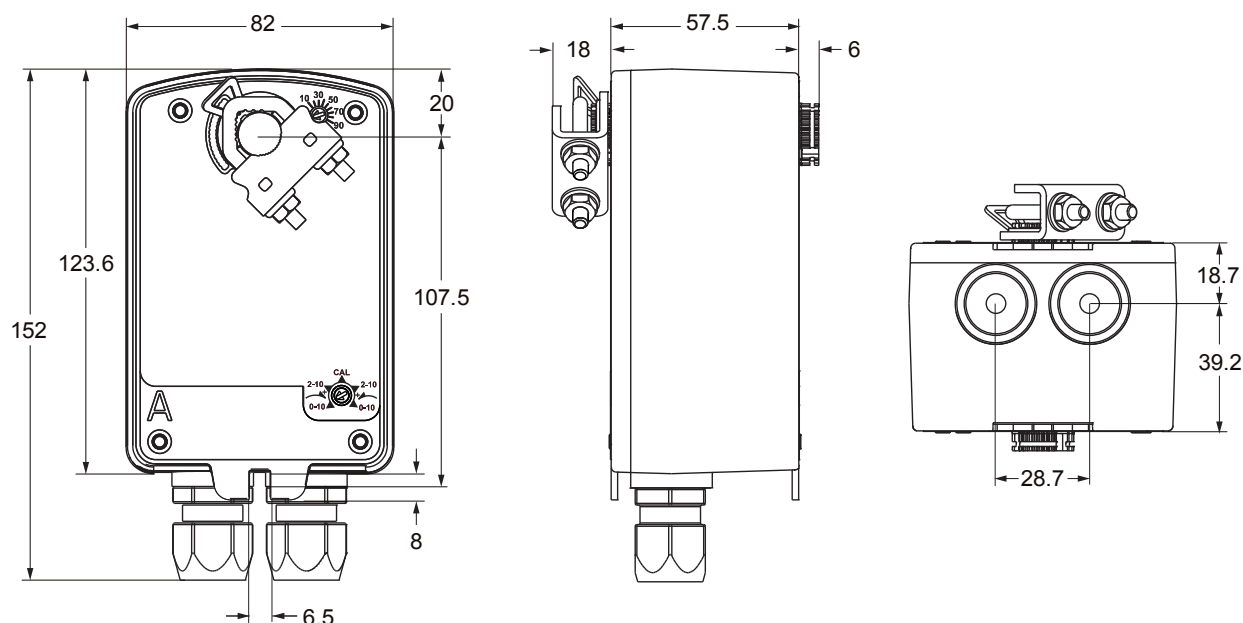


SPRING RETURN DAMPER ACTUATORS



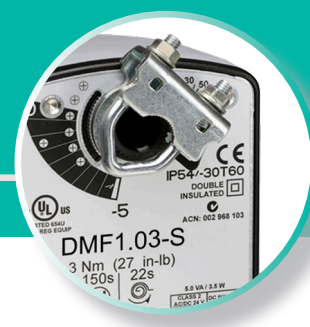
DxFx.03

DIMENSIONS (in mm)



ORDERING INFORMATION

CODES	TORQUE (Nm)	RUNNING TIME (s/mm)	CONTROL SIGNALS	SUPPLY VOLTAGE (50/60 Hz)	1 AUXILIARY SWITCH		
DBF1.03	3	150	ON/OFF and Floating	24 VAC / DC	---		
DBF1.03S					■		
DBF1.03Z		---					
DBF1.03SZ		■					
DAF1.03	3	60	ON/OFF	100 - 240 VAC	---		
DAF1.03S					■		
DAF2.03		27			---		
DAF2.03S					■		
DAF2.03Z	27	90	Proportional	24 VAC/DC	---		
DAF2.03SZ					■		
DMF1.03	3	150			Proportional	24 VAC/DC	---
DMF1.03S							■
DMF1.03Z		90	---				
DMF1.03SZ			■				



DxFx.03

ORDERING INFORMATION

ACCESSORIES (ORDER SEPARATELY)

CODES	DESCRIPTION
M9000-322	Weathershield kit for damper application of 3 and 8 Nm series electric spring return actuators (quantity 1)
M9000-342	Weathershield kit for JVx05 series ball valve application of 4, 3 and 8 Nm series electric spring return actuators (quantity 1)
M9000-400	Jackshaft linkage adapter kit (quantity 1)
M9000-560	Ball valve linkage kit for applying 3 and 8 Nm series electric actuators to ball valves series (quantity 1)
M9000-561	Thermal barrier kit for M9000-560 ball valve linkage. Extends 4, 3 and 8 Nm series electric spring return actuators applications to include low pressure steam (quantity 1)
M9000-604	Replacement anti-rotation bracket kit for 3 Nm, 8 Nm, 10 Nm and 20 Nm series electric spring return actuators (quantity 1)
M9000-606	Position indicator for damper applications (quantity 5)
M9000-607	Position indicator for ball valve applications (quantity 5)
M9203-100	Remote mounting kit with crankarm kit (quantity 1)
M9203-110	Universal mounting kit without Crankarm kit (quantity 1)
M9203-115	Universal mounting kit with crankarm kit (quantity 1)
M9203-150	Crankarm kit (quantity 1)
M9203-250	Remote mounting kit with crankarm kit and damper linkage for D1300 dampers (quantity 1)
M9203-601	Replacement standard coupler kit (with retainer) for mounting 3 Nm series electric spring return actuators (quantity 1)
M9203-602	Replacement retainer for 3 Nm series electric spring return actuators (quantity 5)
M9203-603	Adjustable stop kit for 3 Nm series electric spring return Actuators (quantity 1)