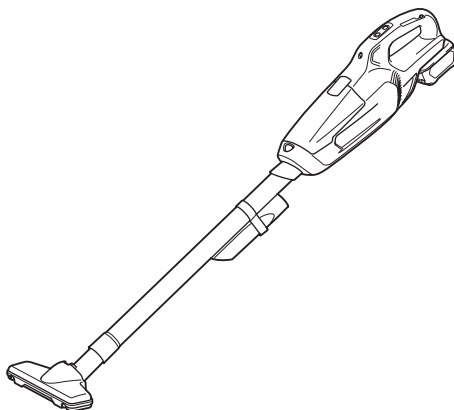
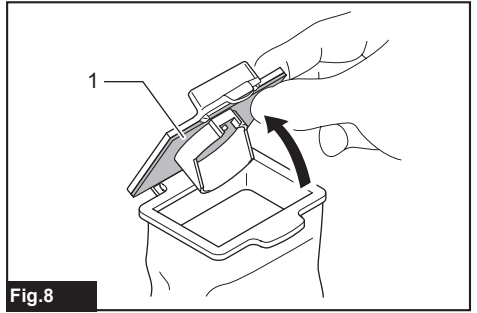
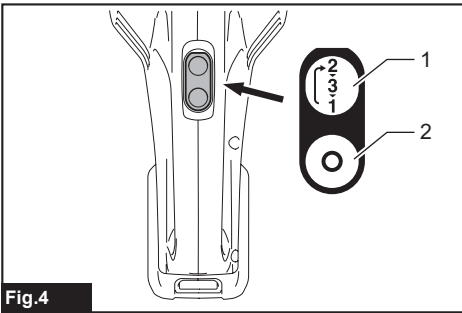
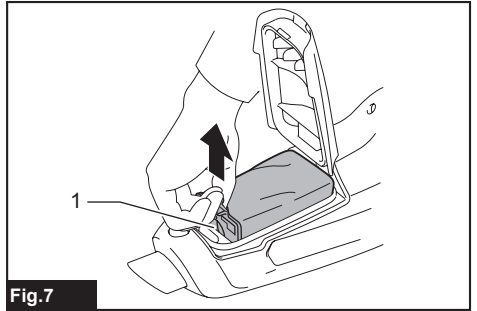
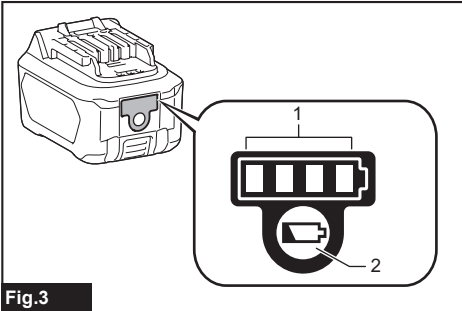
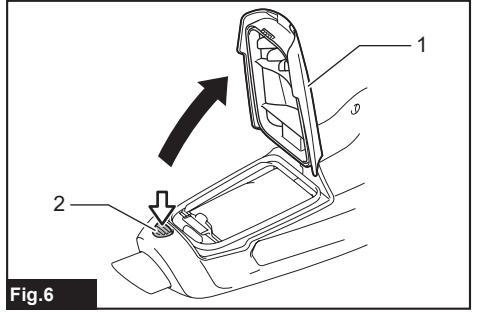
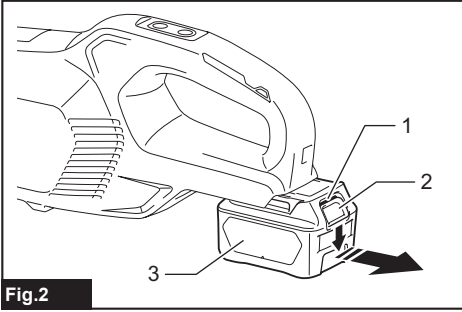
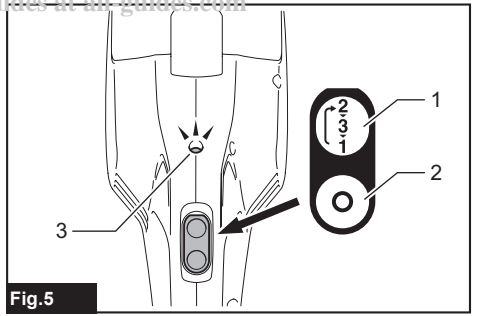
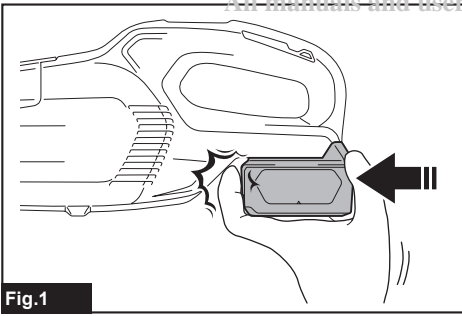




<b>EN</b>	Cordless Cleaner	<b>INSTRUCTION MANUAL</b>	<b>7</b>
<b>SV</b>	Sladdlös dammsugare	<b>BRUKSANVISNING</b>	<b>13</b>
<b>NO</b>	Batteridrevet støvsuger	<b>BRUKSANVISNING</b>	<b>19</b>
<b>FI</b>	Akkukäyttöinen pölynimuri	<b>KÄYTTÖOHJE</b>	<b>25</b>
<b>LV</b>	Bezvadū tīrītājs	<b>LIETOŠANAS INSTRUKCIJA</b>	<b>31</b>
<b>LT</b>	Belaidis siurblys	<b>NAUDOJIMO INSTRUKCIJA</b>	<b>37</b>
<b>ET</b>	Juhtmeta käsitolmuimeja	<b>KASUTUSJUHEND</b>	<b>43</b>
<b>RU</b>	Аккумуляторный пылесос	<b>РУКОВОДСТВО ПО ЭКСПЛУАТАЦИИ</b>	<b>49</b>

## CL107FD





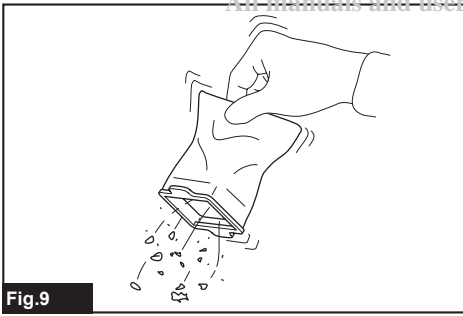


Fig.9

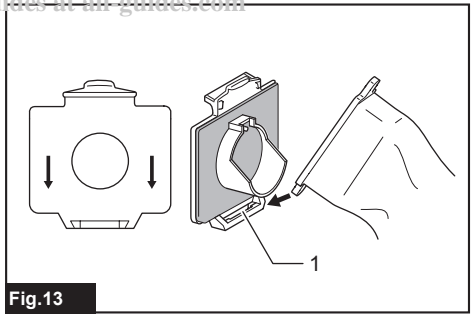


Fig.13

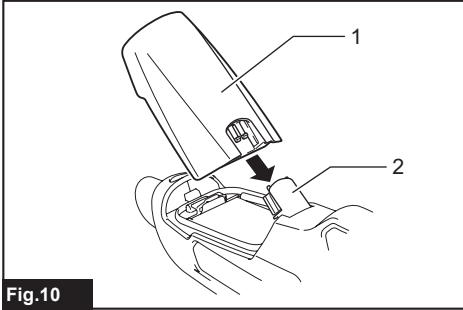


Fig.10

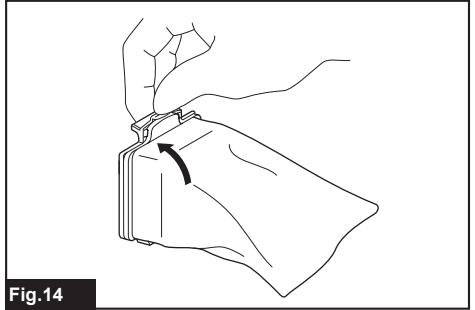


Fig.14

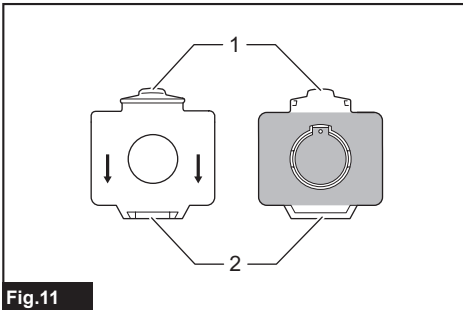


Fig.11



Fig.15

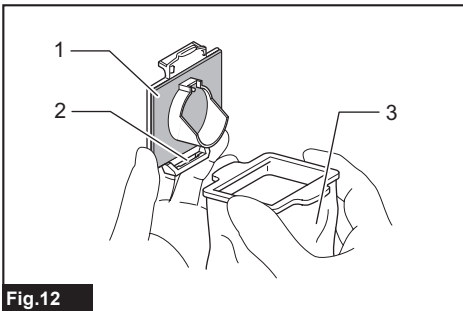


Fig.12

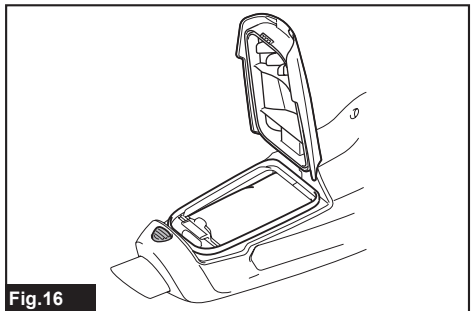
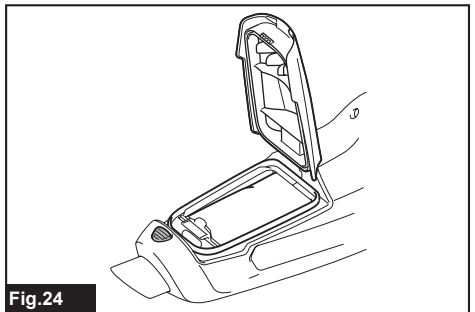
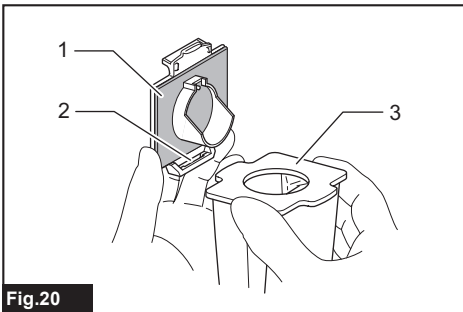
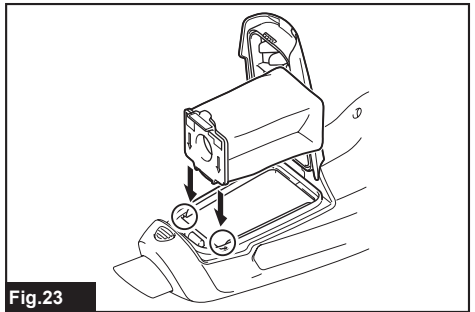
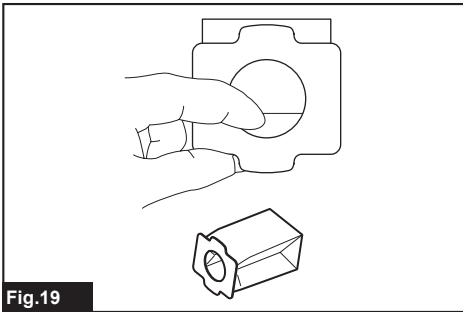
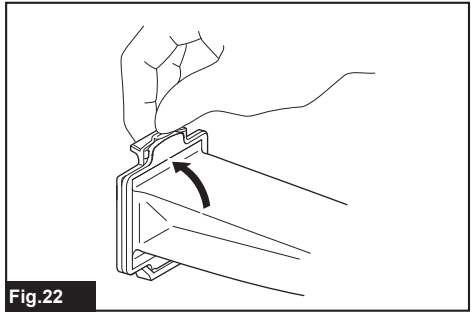
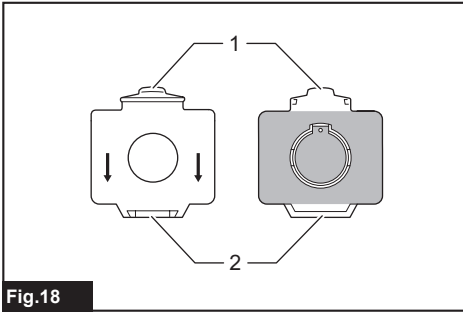
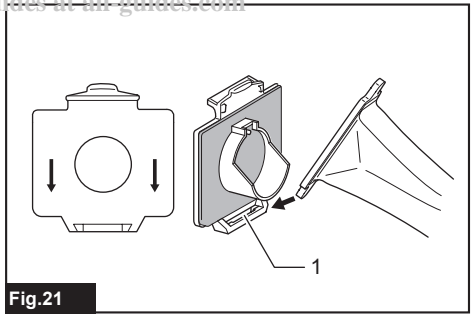
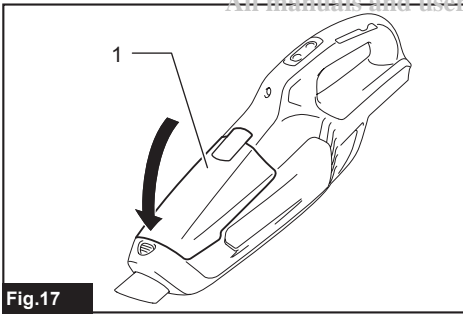


Fig.16



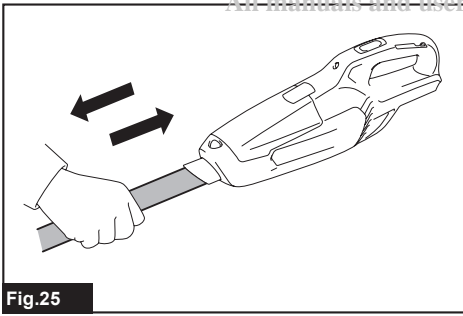


Fig.25

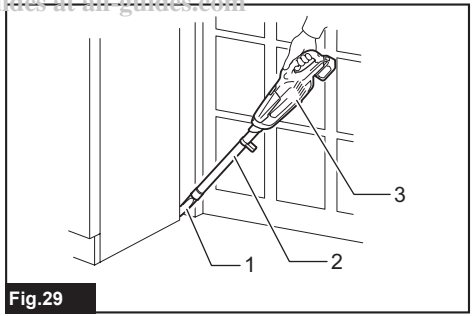


Fig.29

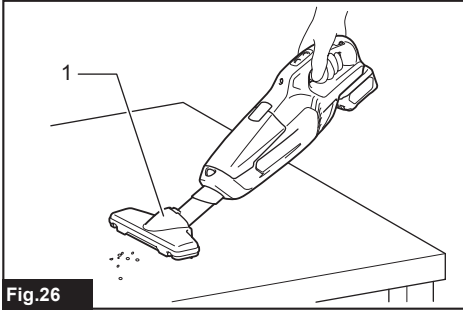


Fig.26

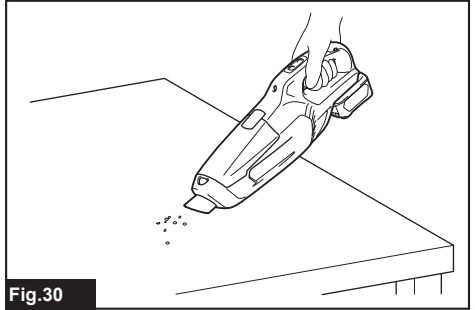


Fig.30

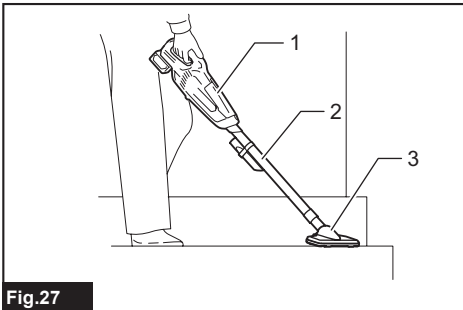


Fig.27

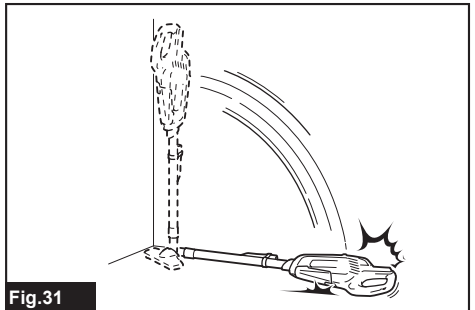


Fig.31

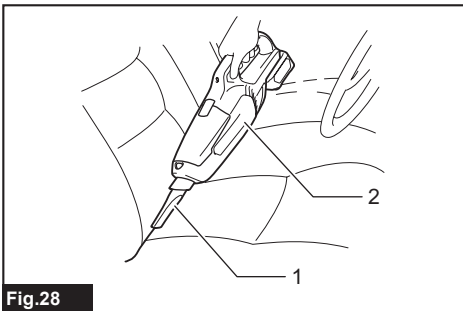


Fig.28

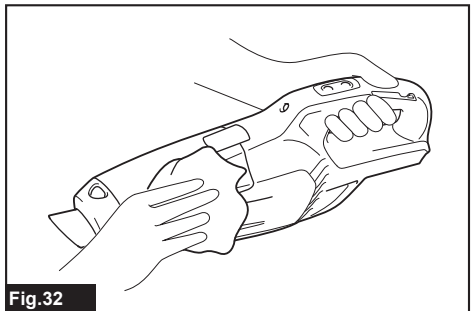
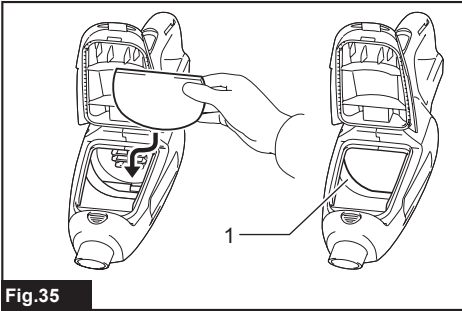
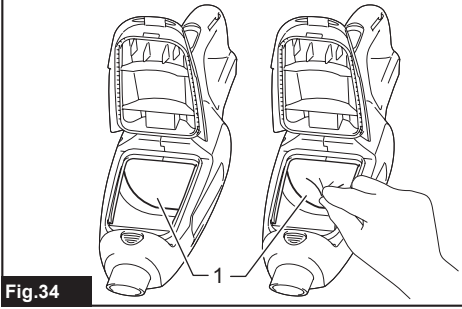
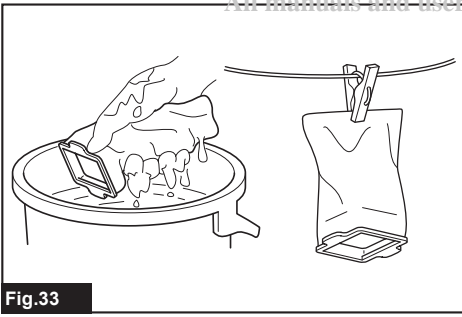


Fig.32



## WARNING

This appliance can be used by children aged from 8 years and above and persons with reduced physical, sensory or mental capabilities or lack of experience and knowledge if they have been given supervision or instruction concerning use of the appliance in a safe way and understand the hazards involved. Children shall not play with the appliance. Cleaning and user maintenance shall not be made by children without supervision.

## SPECIFICATIONS

Model:		CL107FD
Capacity	with a dust bag	500 mL
	with a paper filter	330 mL
Continuous use (with battery BL1016)	1 (Normal speed mode)	Approx. 25 min
	2 (High speed mode)	Approx. 12 min
	3 (Max speed mode)	Approx. 10 min
Overall length	960 mm	
Rated voltage	D.C. 10.8 V - 12 V max	
Battery cartridge	BL1015, BL1016, BL1020B, BL1021B	BL1040B, BL1041B
Net weight	1.1 kg	1.3 kg

- Due to our continuing program of research and development, the specifications herein are subject to change without notice.
- Specifications and battery cartridge may differ from country to country.
- Weight, with battery cartridge, according to EPTA-Procedure 01/2003

## Symbols

The following show the symbols used for the equipment. Be sure that you understand their meaning before use.



Read instruction manual.



Only for EU countries  
Do not dispose of electric equipment or battery pack together with household waste material! In observance of the European Directives, on Waste Electric and Electronic Equipment and Batteries and Accumulators and Waste Batteries and Accumulators and their implementation in accordance with national laws, electric equipment and batteries and battery pack(s) that have reached the end of their life must be collected separately and returned to an environmentally compatible recycling facility.

## Intended use

The tool is intended for collecting dry dust.

## SAFETY WARNINGS

### Cordless cleaner safety warnings

**⚠ WARNING: IMPORTANT! READ CAREFULLY all safety warnings and all instructions BEFORE USE.** Failure to follow the warnings and instructions may result in electric shock, fire and/or serious injury.

1. **Do not expose to rain. Store indoors.**
2. **Do not allow to be used as a toy. Close attention is necessary when used by or near children.**
3. **Use only as described in this manual. Use only manufacturer's recommended attachments.**
4. **Do not use with damaged battery. If appliance is not working as it should, has been dropped, damaged, left outdoors, or dropped into water, return it to a service center.**
5. **Do not handle appliance with wet hands.**
6. **Do not put any object into openings. Do not use with any opening blocked; keep free of dust, lint, hair, and anything that may reduce air flow.**

## Important safety instructions for battery cartridge

7. Keep hair, loose clothing, fingers, and all parts of body away from openings and moving parts.
8. Turn off all controls before removing the battery.
9. Use extra care when cleaning on stairs.
10. Do not use to pick up flammable or combustible liquids, such as gasoline, or use in areas where they may be present.
11. Use only the charger supplied by the manufacturer to recharge.
12. Do not pick up anything that is burning or smoking, such as cigarettes, matches, or hot ashes.
13. Do not use without dust bag and/or filters in place.
14. Do not charge the battery outdoors.
15. Recharge only with the charger specified by the manufacturer. A charger that is suitable for one type of battery pack may create a risk of fire when used with another battery pack.
16. Use power tools only with specifically designated battery packs. Use of any other battery packs may create a risk of injury and fire.
17. When (the) battery pack is not in use, keep it away from other metal objects, like paper clips, coins, keys, nails, screws or other small metal objects, that can make a connection from one terminal to another.
18. Under abusive conditions, liquid may be ejected from the battery; avoid contact. If contact accidentally occurs, flush with water.

### SAVE THESE INSTRUCTIONS.

### ADDITIONAL SAFETY RULES

This appliance is intended for household use.

1. Read this instruction manual and the charger instruction manual carefully before use.
2. Do not pick up the following materials:
  - Hot materials such as lit cigarettes or spark/metal dust generated by grinding/cutting metal
  - Flammable materials such as gasoline, thinner, benzine, kerosene or paint
  - Explosive materials like nitroglycerin
  - Ignitable materials such as Aluminum, zinc, magnesium, titanium, phosphorus or celluloid
  - Wet dirt, water, oil or the like
  - Hard pieces with sharp edges, such as wood chips, metals, stones, glasses, nails, pins or razors
  - Powder to clot such as cement or toner
  - Conductive dust such as metal or carbon
  - Fine particle like concrete dust

Such action may cause fire, injury and/or property damage.
3. Stop operation immediately if you notice anything abnormal.
4. If you drop or strike the cleaner, check it carefully for cracks or damage before operation.
5. Do not bring close to stoves or other heat sources.
6. Do not block the intake hole or vent holes.

### SAVE THESE INSTRUCTIONS.

1. Before using battery cartridge, read all instructions and cautionary markings on (1) battery charger, (2) battery, and (3) product using battery.
2. Do not disassemble battery cartridge.
3. If operating time has become excessively shorter, stop operating immediately. It may result in a risk of overheating, possible burns and even an explosion.
4. If electrolyte gets into your eyes, rinse them out with clear water and seek medical attention right away. It may result in loss of your eyesight.
5. Do not short the battery cartridge:
  - (1) Do not touch the terminals with any conductive material.
  - (2) Avoid storing battery cartridge in a container with other metal objects such as nails, coins, etc.
  - (3) Do not expose battery cartridge to water or rain.

A battery short can cause a large current flow, overheating, possible burns and even a breakdown.

6. Do not store the tool and battery cartridge in locations where the temperature may reach or exceed 50 °C (122 °F).
7. Do not incinerate the battery cartridge even if it is severely damaged or is completely worn out. The battery cartridge can explode in a fire.
8. Be careful not to drop or strike battery.
9. Do not use a damaged battery.
10. The contained lithium-ion batteries are subject to the Dangerous Goods Legislation requirements.
 

For commercial transports e.g. by third parties, forwarding agents, special requirement on packaging and labeling must be observed. For preparation of the item being shipped, consulting an expert for hazardous material is required. Please also observe possibly more detailed national regulations.

Tape or mask off open contacts and pack up the battery in such a manner that it cannot move around in the packaging.
11. Follow your local regulations relating to disposal of battery.
12. Use the batteries only with the products specified by Makita. Installing the batteries to non-compliant products may result in a fire, excessive heat, explosion, or leak of electrolyte.

### SAVE THESE INSTRUCTIONS.

**CAUTION:** Only use genuine Makita batteries. Use of non-genuine Makita batteries, or batteries that have been altered, may result in the battery bursting causing fires, personal injury and damage. It will also void the Makita warranty for the Makita tool and charger.



## Tips for maintaining maximum battery life

1. Charge the battery cartridge before completely discharged. Always stop tool operation and charge the battery cartridge when you notice less tool power.
2. Never recharge a fully charged battery cartridge. Overcharging shortens the battery service life.
3. Charge the battery cartridge with room temperature at 10 °C - 40 °C (50 °F - 104 °F). Let a hot battery cartridge cool down before charging it.

## Battery protection system

The tool is equipped with a battery protection system. This system automatically cuts off power to the motor to extend battery life.

The tool will automatically stop during operation if the tool and/or battery are placed under one of the following conditions:

### Overloaded:

The tool is operated in a manner that causes it to draw an abnormally high current.

In this situation, turn the tool off and stop the application that caused the tool to become overloaded. Then turn the tool on to restart.

### Low battery voltage:

The remaining battery capacity is too low and the tool will not operate. If you turn the tool on, the motor runs again but stops soon. In this situation, remove and recharge the battery.

## FUNCTIONAL DESCRIPTION

**CAUTION:** Always be sure that the tool is switched off and the battery cartridge is removed before adjusting or checking function on the tool.

**CAUTION:** Take care not to trap finger(s) between cleaner and battery as shown in diagram when loading battery. Trapping finger(s) may cause injury.

► Fig.1

## Installing or removing battery cartridge

**CAUTION:** Always switch off the tool before installing or removing of the battery cartridge.

**CAUTION:** Hold the tool and the battery cartridge firmly when installing or removing battery cartridge. Failure to hold the tool and the battery cartridge firmly may cause them to slip off your hands and result in damage to the tool and battery cartridge and a personal injury.

► Fig.2: 1. Red indicator 2. Button 3. Battery cartridge

To remove the battery cartridge, slide it from the tool while sliding the button on the front of the cartridge.

To install the battery cartridge, align the tongue on the battery cartridge with the groove in the housing and slip it into place. Insert it all the way until it locks in place with a little click. If you can see the red indicator on the upper side of the button, it is not locked completely.

**CAUTION:** Always install the battery cartridge fully until the red indicator cannot be seen. If not, it may accidentally fall out of the tool, causing injury to you or someone around you.

**CAUTION:** Do not install the battery cartridge forcibly. If the cartridge does not slide in easily, it is not being inserted correctly.

## Indicating the remaining battery capacity

Only for battery cartridges with the indicator

► Fig.3: 1. Indicator lamps 2. Check button

Press the check button on the battery cartridge to indicate the remaining battery capacity. The indicator lamps light up for a few seconds.

Indicator lamps		Remaining capacity
Lighted	Off	
■ ■ ■ ■	□	75% to 100%
■ ■ ■ □	□	50% to 75%
■ ■ □ □	□ □	25% to 50%
■ □ □ □	□ □ □	0% to 25%

**NOTE:** Depending on the conditions of use and the ambient temperature, the indication may differ slightly from the actual capacity.

## Switch action

► Fig.4: 1. ON/speed change button 2. OFF button

To start the cleaner, simply push the ON/speed change button. To switch off, push the OFF button.

You can change the cleaner speed in three steps by pushing the ON/speed change button.

The first push on this button is for high speed mode, the second push for max speed mode and the third push for normal speed. Each push on this button repeats the high/max/normal speed cycle alternatively.

## Lighting up the lamp

**CAUTION:** Do not look in the light or see the source of light directly.

- **Fig.5:** 1. ON/speed change button 2. OFF button  
3. Lamp

To turn on the lamp, push the ON/speed change button. Push the OFF button to turn off the lamp. During the tool actuating, the lamp turns on.

When the remaining battery capacity gets low, the lamp starts blinking.

**NOTE:** The timing, at which the lamp starts blinking, depends on the temperature at work place and the battery cartridge conditions.

## ASSEMBLY

**CAUTION:** Always be sure that the tool is switched off and the battery cartridge is removed before carrying out any work on the tool.

### Disposing of dust

**CAUTION:** Empty the cleaner before it becomes too full, or the suction force weakens.

**CAUTION:** Be sure to empty the inside of the cleaner itself of dust. Failure to do so may cause the filter to be clogged or the motor to be damaged.

**CAUTION:** Never throw away the dust stopper because it should be used whenever either the dust bag or the paper filter is used.

**CAUTION:** When closing the front cover, be careful not to pinch your fingers.

1. Push the button to open the front cover. Opening it until a click is heard allows a positive stop at that position.

- **Fig.6:** 1. Front cover 2. Button

2. Pull out both the orange-colored dust stopper and dust bag together at the same time.

- **Fig.7:** 1. Dust stopper

3. Remove the dust stopper and empty the cleaner.

- **Fig.8:** 1. Dust stopper

- **Fig.9**

**NOTE:** The cleaner is constructed in such a way that the front cover comes off when trying to force the front cover open at the angle of more than 90°. If the front cover comes off, insert it into the front cover joint in place.

- **Fig.10:** 1. Front cover 2. Front cover joint

## Dust bag and paper filter

Install either dust bag or paper filter before using cleaner.

Use the dust stopper when installing either dust bag or paper filter.

Dust bag are usable many times repeatedly by cleaning it out.

Paper filter is a throw-away type. Throw away the entire paper filter without emptying when it has become full.

**NOTICE:** To prevent dust from getting into the motor:

- Make sure that the dust bag or paper filter is installed before use.
- Insert the dust stopper together with the dust bag or paper filter all the way into the slots when installing them.
- Do not use a broken or ripped bag.

Otherwise the motor may be broken.

**NOTICE:** Do not fold the cardboard at its opening when installing the paper filter.

**NOTICE:** Never throw away the dust stopper because it need to be used repeatedly whenever either the dust bag or the paper filter is used.

**NOTICE:** The paper filter for the cleaner is an important component for maintaining the tool performance. Using other than the genuine paper filter may cause smokes or ignition.

### Installing dust bag

Use the dust stopper when installing dust bag. Be careful not to take the upper side for the lower side by mistake because they are different each other.

- **Fig.11:** 1. Upper side of dust stopper 2. Lower side of dust stopper

1. Insert the protrusion of the dust bag into the groove in the dust stopper as shown in the figure.

- **Fig.12:** 1. Dust stopper 2. Groove 3. Dust bag

2. There is no distinction between the upper and lower sides of the dust bag. You may insert its protrusion of either side into the lower groove of the dust stopper.

- **Fig.13:** 1. Lower groove

3. Overlap the frame of dust stopper with that of the dust bag.

- **Fig.14**

4. Place the dust stopper and the dust bag together into the cleaner cavity in the same direction of arrow on the dust stopper. Insert them all the way into the slots in the cleaner cavity.

- **Fig.15:** 1. Cleaner cavity

5. Place the entire cloth part of the dust bag inside the cleaner itself.

- **Fig.16**

6. Close the front cover completely.

- **Fig.17:** 1. Front cover

## Installing the paper filter

Use the dust stopper also when installing paper filter. Be careful not to take the upper side for the lower side by mistake because they are different each other.

► **Fig.18:** 1. Upper side of dust stopper 2. Lower side of dust stopper

1. Unfold the entrance of the paper filter before setting it on the dust stopper.

► **Fig.19**

2. Insert the protrusion of the paper filter into the groove in the dust stopper as shown in the figure.

► **Fig.20:** 1. Dust stopper 2. Groove 3. Paper filter

3. There is no distinction between the upper and lower sides of the paper filter. You may insert its protrusion of any side into the lower groove of the dust stopper.

► **Fig.21:** 1. Lower groove

4. Overlap the frame of dust stopper with that of the paper filter.

► **Fig.22**

5. Place the dust stopper and the paper filter together into the cleaner cavity in the same direction of arrow on the dust stopper. Insert them all the way into the slots in the cleaner cavity.

► **Fig.23**

6. Place the entire container part of the paper filter inside the tool itself.

► **Fig.24**

7. Close the front cover completely.

## OPERATION

To connect attachments, such as nozzle, twist and insert the attachment securely. To disconnect the attachments, twist and extract it.

► **Fig.25**

## Cleaning (Suction)

### Nozzle

Attach the nozzle to clean off tables, desks, furniture, etc. The nozzle slips on easily.

► **Fig.26:** 1. Nozzle

### Nozzle + Extension wand (Straight pipe)

The extension wand fits in between the nozzle and the cleaner itself. This arrangement is convenient for cleaning a floor in a standing position.

► **Fig.27:** 1. Cleaner body 2. Extension wand  
3. Nozzle

### Corner nozzle

Fit on the corner nozzle for cleaning corners and crevices of a car or furniture.

► **Fig.28:** 1. Corner nozzle 2. Cleaner body

## Corner nozzle +Extension wand (Straight pipe)

In tight quarters where the cleaner itself cannot squeeze in, or in high places hard to reach, use this arrangement.

► **Fig.29:** 1. Corner nozzle 2. Extension wand  
3. Cleaner body

## Cleaning without nozzle

You can pick up powder and dust without nozzle.

► **Fig.30**

## MAINTENANCE

**CAUTION:** Always be sure that the tool is switched off and the battery cartridge is removed before attempting to perform inspection or maintenance.

**NOTICE:** Never use gasoline, benzine, thinner, alcohol or the like. Discoloration, deformation or cracks may result.

### After use

**NOTICE:** Putting the cleaner against the wall without any other support cause the cleaner to fall down and be damaged.

► **Fig.31**

## Cleaning

From time to time wipe off the outside (cleaner body) of the cleaner using a cloth dampened in soapy water. Clean out also the suction opening, dust bag/paper filter mounting area and the dust stopper.

► **Fig.32**

Wash the filter in soapy water when it is clogged with dust and the cleaner power becomes weak. Dry it out thoroughly before use. An insufficiently dried filter may cause poor suction and shorten the service life of the motor.

► **Fig.33**

**NOTE:** Paper filter is a throw-away type.

When the sponge filter is clogged with dust, remove it from the cleaner and then wipe it off or wash in water.

## Removing and installing the sponge filter

**CAUTION:** After cleaning sponge filter, be sure to install it on the cleaner. If washed in water, dry it up before installing. An insufficiently dried sponge filter may shorten the service life of the motor.

To remove the sponge filter, remove the dust bag or paper filter and then pinch and take it out.

► **Fig.34:** 1. Sponge filter

Press in the whole edge of the sponge filter against the recessed wall inside the dust bag/paper filter mounting area.

► **Fig.35:** 1. Recessed wall

## Troubleshooting

Before asking for repairs, check the following points.

Symptom	Area to be investigated	Fixing method
Weak suction power	Is dust bag or paper filter full of dust ?	Empty dust bag or paper filter.
	Is dust bag clogged ?	Dust down or wash the dust bag.
	Is paper filter clogged ?	Replace paper filter.
	Is the battery cartridge exhausted ?	Charge the battery cartridge.
Not working	Is the battery cartridge exhausted ?	Charge the battery cartridge.

**NOTE:** Do not attempt to repair cleaner by yourself.

To maintain product SAFETY and RELIABILITY, repairs, any other maintenance or adjustment should be performed by Makita Authorized or Factory Service Centers, always using Makita replacement parts.

## OPTIONAL ACCESSORIES

**⚠ CAUTION:** These accessories or attachments are recommended for use with your Makita tool specified in this manual. The use of any other accessories or attachments might present a risk of injury to persons. Only use accessory or attachment for its stated purpose.

If you need any assistance for more details regarding these accessories, ask your local Makita Service Center.

- Extension wand (Straight pipe)
- Nozzle
- Nozzle for carpet
- Shelf brush
- Corner nozzle
- Round brush
- Flexible hose
- Paper filter
- Makita genuine battery and charger

**NOTE:** Some items in the list may be included in the tool package as standard accessories. They may differ from country to country.

## VARNING

Denna maskin kan användas av barn från 8 års ålder och äldre samt personer med nedsatt fysisk, sensorisk eller mental kapacitet eller brist på erfarenhet och kunskap förutsatt att de har fått handledning eller instruktioner om hur maskinen används på rätt sätt och förstår riskerna som det medför. Barn ska inte leka med maskinen. Rengöring och användarunderhåll ska inte utföras av barn utan tillsyn.

## SPECIFIKATIONER

Modell:		CL107FD
Kapacitet	utan damppåse	500 mL
	med pappersfilter	330 mL
Kontinuerlig användning (med batteri BL1016)	1 (normalt hastighetsläge)	Ca 25 min
	2 (höghastighetsläge)	Ca 12 min
	3 (maxhastighetsläge)	Ca 10 min
Total längd		960 mm
Märkspänning		10,8 V likström - 12 V max
Batterikassett		BL1015, BL1016, BL1020B, BL1021B BL1040B, BL1041B
Nettovikt		1,1 kg 1,3 kg

- På grund av vårt pågående program för forskning och utveckling kan dessa specifikationer ändras utan föregående meddelande.
- Specifikationer och batterikassett kan variera mellan olika länder.
- Vikt, med batterikassett, i enlighet med EPTA-procedure 01/2003

## Symboler

Följande visar symbolerna som används för utrustningen. Se till att du förstår innebörden innan du använder borrar maskinen.



Läs igenom bruksanvisningen.



Gäller endast EU-länder  
Elektrisk utrustning eller batteripaket får inte kastas i hushållsavfallet! Enligt EU-direktiven som avser förbrukad elektrisk och elektronisk utrustning, batterier, ackumulatörer, förbrukade batterier och ackumulatörer, samt direktivens tillämpning enligt nationell lagstiftning, ska uttjänt elektrisk utrustning, batterier och batteripaket sorteras separat och lämnas till miljövänlig återvinning.

## Avsedd användning

Det här redskapet är avsett för insamling av torrt damm.

## SÄKERHETSVARNINGAR

### Säkerhetsvarningar för sladdlös dammsugare

**⚠ VARNING: VIKTIGT! LÄS NOGGRANT igenom alla säkerhetsvarningar och anvisningar FÖRE ANVÄNDNING.** Underlåtenhet att följa varningar och instruktioner kan leda till elstötar, brand och/eller allvarliga personskador.

1. **Utsätt inte för regn. Förvara maskinen inomhus.**
2. **Tillåt inte att den används som en leksak. Stor uppmärksamhet är nödvändigt när den används i barns närhet.**
3. **Använd den endast enligt beskrivningen i bruksanvisningen. Använd endast tillverkarens rekommenderade tillsatser.**

4. Använd inte maskinen med ett skadat batteri. Om maskinen inte arbetar som den ska, har tappats i marken, skadats, lämnats utomhus eller hamnat i vatten ska den skickas till servicecentret.
5. Var inte blöt om händerna när du handskas med maskinen.
6. Placera inte något föremål i öppningarna. Använd inte dammsugaren om någon av öppningarna är blockerade och håll den ren från damm, trådar, hår samt allt som kan minska luftflödet.
7. Håll hår, löst sittande kläder, fingrar och alla kroppsdelar bort från öppningar och rörliga delar.
8. Stäng av alla kontroller innan batteriet tas bort.
9. Var extra försiktig vid rengöring av trappor.
10. Använd inte maskinen för att plocka upp brännbara eller lättantändliga vätskor, såsom bensin, eller använd inte maskinen på platser där sådana vätskor förvaras.
11. Använd endast den laddare som tillverkaren har skickat med för att ladda batteriet.
12. Plocka inte upp något som brinner eller glöder, såsom cigaretter, tändstickor eller glödande aska.
13. Använd inte utan dammpåse och/eller filtren monterade på plats.
14. Ladda inte batteriet utomhus.
15. Ladda endast med den batteriladdare som angetts av tillverkaren. En laddare som passar en viss typ av batterier kan skapa risk för brand när den används tillsammans med annat batteri.
16. Använd endast maskiner tillsammans med tillhörande batterier. Om andra batterier används kan risken för personskada och brand öka.
17. När batteriet inte används bör det hållas borta från andra metallföremål så som gem, mynt, nycklar, spik, skruv eller andra små metallföremål som kan skapa en anslutning mellan batteripolerna.
18. Under hårda förhållande kan det komma vätska ur batteriet. Undvik kontakt. Spola med vatten om kontakt ändå råkar uppstå.

## SPARA DESSA ANVISNINGAR.

### YTTERLIGARE SÄKERHETSANVISNINGAR

Denna maskin är avsedd för att användas i hushåll.

1. Läs denna bruksanvisning och laddarens bruksanvisning noggrant innan du använder dammsugaren.
2. Plocka inte upp följande material:
  - Varmt material som tända cigaretter eller gnist-/metalldamm som skapas när man slipar/sågar i metall
  - Lättantändliga material som bensin, thinner, fotogen eller färg
  - Explosivt material som nitroglycerin
  - Antändbart material såsom aluminium, zink, magnesium, titan, fosfor eller celluloid

- Blöt smuts, vatten, olja eller liknande
- Hårda bitar med vassa kanter som träflisor, metaller, stenar, glas, spikar, stift eller rakblad
- Pulver som klumpar ihop sig såsom cement eller toner
- Ledande damm som metall eller kol
- Fina korn som betongdamm

Att göra detta kan orsaka brand, skada och/eller skada på egendom.

3. Stanna maskinen omedelbart om du lägger märke till något onormalt.
4. Om du tappat eller stött till dammsugaren, kontrollera att den inte har skadats innan du använder den.
5. Använd inte dammsugaren nära kaminer eller andra värmekällor.
6. Blockera inte intagshålet eller ventilationshålen.

## SPARA DESSA ANVISNINGAR.

### Viktiga säkerhetsanvisningar för batterikassetten

1. Innan batterikassetten används ska alla instruktioner och varningsmärken på (1) batteriladdaren, (2) batteriet och (3) produkten läsas.
2. Montera inte isär batterikassetten.
3. Om drifttiden blivit avsevärt kortare ska användningen avbrytas omedelbart. Det kan uppstå överhettning, brännskador och t o m en explosion.
4. Om du får elektrolyt i ögonen ska de sköljas med rent vatten och läkare uppsökas omedelbart. Det finns risk för att synen förloras.
5. Kortslut inte batterikassetten.
  - (1) Rör inte vid polerna med något strömförande material.
  - (2) Undvik att förvara batterikassetten tillsammans med andra metallobjekt som t.ex. spikar, mynt o.s.v.
  - (3) Skydda batteriet mot vatten och regn. En batterikortslutning kan orsaka ett stort strömflöde, överhettning, brand och maskinhaveri.
6. Förvara inte maskinen och batterikassetten på platser där temperaturen kan nå eller överstiga 50 °C.
7. Bränn inte upp batterikassetten även om den är svårt skadad eller helt utsliten. Batterikassetten kan explodera i öppen eld.
8. Var försiktig så att du inte råkar tappa batteriet och utsatt det inte för stötar.
9. Använd inte ett skadat batteri.
10. De medföljande litiumjonbatterierna är föremål för kraven i gällande lagstiftning för farligt gods. För kommersiella transporter (av t.ex. tredje parter som speditionsfirmor) måste de särskilda transportkrav som anges på emballaget och etiketter iakttas. För att förbereda den produkt som ska avsändas krävs att du konsulterar en expert på riskmaterial. Var också uppmärksam på att det i ditt land kan finnas ytterligare föreskrifter att följa.

Tejpa över eller maskera blottade kontakter och packa batteriet på sådant sätt att det inte kan röra sig fritt i förpackningen.

11. **Följ lokala föreskrifter beträffande avfallshandling av batteriet.**
12. **Använd endast batterierna med de produkter som specificerats av Makita.** Att använda batterierna med ej godkända produkter kan leda till brand, överdriven värme, explosion eller utläckande elektrolyt.

## SPARA DESSA ANVISNINGAR.

**⚠FÖRSIKTIGT:** Använda endast äkta Makita-batterier. Användning av oäkta Makita-batterier eller batterier som har manipulerats kan leda till person- och utrustningsskador eller till att batteriet fattar eld. Det upphäver också Makitas garanti för verktyget och laddaren.

## Tips för att uppnå batteriets maximala livslängd

1. **Ladda batterikassetten innan den är helt urladdad. Stanna alltid maskinen och ladda batterikassetten när du märker att maskinen blir svagare.**
2. **Ladda aldrig en fulladdad batterikassetten. Överladdning förkortar batteriets livslängd.**
3. **Ladda batterikassetten vid en rumstemperatur på 10 °C - 40 °C. Låt en varm batterikassetten svalna innan den laddas.**

## FUNKTIONSBESKRIVNING

**⚠FÖRSIKTIGT:** Se alltid till att maskinen är avstängd och batterikassetten borttagen innan du justerar maskinen eller kontrollerar dess funktioner.

**⚠FÖRSIKTIGT:** Var försiktig så att du inte fastnar med fingret/fingrarna mellan dammsugaren och batteriet, såsom visas på bilden, när batteriet ska laddas. Det kan orsaka skada.

► Fig.1

## Montera eller demontera batterikassetten

**⚠FÖRSIKTIGT:** Stäng alltid av maskinen innan du monterar eller tar bort batterikassetten.

**⚠FÖRSIKTIGT:** Håll stadigt i maskinen och batterikassetten när du monterar eller tar bort batterikassetten. I annat fall kan det leda till att de glider ur dina händer och orsakar skada på maskinen och batterikassetten samt personskada.

► Fig.2: 1. Röd indikator 2. Knapp 3. Batterikassetten

Ta bort batterikassetten genom att skjuta ner knappen på kassetten framsida samtidigt som du drar ut batterikassetten.

Sätt in batterikassetten genom att rikta in tungan på batterikassetten mot spåret i höljet och skjut den på plats. Tryck in batterikassetten ordentligt tills den låser fast med ett klick. Om du kan se den röda indikatorn på knappens ovansida är den inte låst ordentligt.

**⚠FÖRSIKTIGT:** Sätt alltid i batterikassetten helt tills den röda indikatorn inte längre syns. I annat fall kan den oväntat falla ur maskinen och skada dig eller någon annan.

**⚠FÖRSIKTIGT:** Monterar inte batterikassetten med våld. Om kassetten inte lätt glider på plats är den felinsatt.

## Skyddssystem för batteri

Maskinen är utrustad med ett batteriskyddssystem. Detta system bryter automatiskt strömmen till motorn för att förlänga batteriets livslängd. Maskinen stoppas automatiskt under pågående användning om någon av följande situationer uppstår:

### Överbelastning:

Maskinen används på ett sätt som gör att den förbrukar onormalt mycket ström.

När detta sker stänger du av maskinen och upphör med arbetet som gjorde att maskinen överbelastades. Starta därefter upp maskinen igen.

### Batterispänningen faller:

Den kvarvarande batterikapaciteten är för låg och maskinen fungerar inte. Om du trycker in avtryckaren går motorn igång men stannar snart igen. I detta läge tar du bort batteriet och laddar det.

## Indikerar kvarvarande batterikapacitet

Endast för batterikassetter med indikator

► **Fig.3:** 1. Indikatorlampor 2. Kontrollknapp

Tryck på kontrollknappen på batterikassetten för att se kvarvarande batterikapacitet. Indikatorlamporna lyser i ett par sekunder.

Indikatorlampor		Återstående kapacitet
Upplyst	Av	
■ ■ ■ ■	□	75% till 100%
■ ■ ■ □	□	50% till 75%
■ ■ □ □	□ □	25% till 50%
■ □ □ □	□ □ □ □	0% till 25%

**OBS:** Beroende på användningsförhållanden och den omgivande temperaturen kan indikationen skilja sig lätt från den faktiska batterikapaciteten.

## Avtryckarens funktion

► **Fig.4:** 1. ON-/hastighetsknapp 2. OFF-knapp

Tryck på knappen ON-/hastighetsknapp för att starta dammsugaren. För att stänga av den, tryck på knappen OFF.

Du kan ändra dammsugarens hastighet i tre steg genom att trycka på ON-/hastighetsknappen.

Den första tryckningen på denna knapp är för höghastighetsläge. Vid en andra tryckning aktiveras maxhastighetsläge, och en tredje tryckning normal hastighet. Varje tryckning på denna knapp upprepar cyklingen mellan hög/max/normal hastighet.

## Tända lampan

**⚠ FÖRSIKTIGT:** Titta inte in i ljuset eller direkt i ljuskällan.

► **Fig.5:** 1. ON-/hastighetsknapp 2. OFF-knapp 3. Lampa

Tryck på knappen ON-/hastighetsknapp för att tända lampan. Tryck på OFF-knappen för att släcka lampan. När maskinen är aktiverad lyser lampan. När den kvarvarande batterikapaciteten blir låg blinkar lampan.

**OBS:** När lampan börjar blinka beror på temperaturen vid arbetsplatsen och på batterikassetens förhållande.

## MONTERING

**⚠ FÖRSIKTIGT:** Se alltid till att maskinen är avstängd och batterikassetten borttagen innan du underhåller maskinen.

## Borttagning av damm

**⚠ FÖRSIKTIGT:** Töm dammsugaren innan den blir för full, annars försvagas sugstyrkan.

**⚠ FÖRSIKTIGT:** Se till att tömma dammsugarens insida från damm. I annat fall kan filtret bli igensatt eller motorn skadas.

**⚠ FÖRSIKTIGT:** Kasta aldrig bort dammstoppet eftersom det ska användas när dammsugarpåsen eller pappersfiltret används.

**⚠ FÖRSIKTIGT:** Var försiktig när du stänger det främre skyddet så att du inte klämmer dina fingrar.

1. Tryck på knappen för att öppna det främre skyddet. Öppna tills du hör ett klick, där stannar skyddet i läge.

► **Fig.6:** 1. Främre skydd 2. Knapp

2. Dra ut både det orangefärgade dammstoppet och dammsugarpåsen samtidigt.

► **Fig.7:** 1. Dammstopp

3. Ta bort dammstoppet och töm dammsugaren.

► **Fig.8:** 1. Dammstopp

► **Fig.9**

**OBS:** Dammsugaren är konstruerad så att det främre skyddet lossar när du försöker att öppna det mer än i 90° vinkel. Om det främre skyddet lossar, ska det sättas på plats i avsedd anslutning.

► **Fig.10:** 1. Främre skydd 2. Anslutning i främre skydd

## Damppåse och pappersfilter

Sätt dit en damppåse eller en pappersfilter innan du använder dammsugaren.

Använd dammstoppet när du sätter dit dammsugarpåsen eller pappersfilter.

En damppåse kan användas flera gånger efter upprepade tömningar.

Pappersfiltret är av engångstyp. När filtret är fullt slänger du hela filtret inklusive damm.



**OBSERVERA:** För att förhindra damm från att komma in i motorn:

- Se till att dammpåsen eller pappersfiltret är isatt innan du användning.
- Sätt i dammstoppet tillsammans med dammpåsen eller pappersfiltret hela vägen in i öppningen vid montering.
- Använd inte en skadad eller trasig påse.

I annat fall kan motorn skadas.

**OBSERVERA:** Vik inte hårdpappskivan vid dess öppning när du sätter dit pappersfiltret.

**OBSERVERA:** Kasta aldrig bort dammstoppet eftersom det ska användas upprepa gånger när dammpåsen eller pappersfiltret används.

**OBSERVERA:** Dammsugarens pappersfilter är en viktig komponent för att bevara maskinprestandan. Att använda andra pappersfilter än original kan orsaka rök eller antändning.

## Montering av dammpåse

Använd dammstoppet när du sätter dit dammsugarpåsen. Se till att inte förväxla ovan- och undersidan av misstag, eftersom de är olika.

- **Fig.11:** 1. Dammstoppets ovasida  
2. Dammstoppets undersida

1. Sätt i den utskjutande delen på dammpåsen i dammstoppets spår. Se bilden.  
► **Fig.12:** 1. Dammstopp 2. Spår 3. Dammpåse
2. Det är ingen skillnad på dammpåsens ovan- och undersidor. Du kan sätta i dess utskjutande del på endera sidan i dammstoppets undre spår.  
► **Fig.13:** 1. Undre spår
3. Se till att dammstoppets ram överlappar dammpåsens ram.  
► **Fig.14**
4. Sätt dammstoppet och dammpåsen tillsammans i dammsugarfacket i den riktning som pilen på dammstoppet visar. Skjut dem hela vägen in i uttagen i dammsugarfacket.  
► **Fig.15:** 1. Dammsugarfack
5. Placera hela tygdelen på dammpåsen inuti själva dammsugaren.  
► **Fig.16**
6. Stäng det främre skyddet ordentligt.  
► **Fig.17:** 1. Främre skydd

## Montering av pappersfiltret

Använd dammstoppet även när du sätter dit pappersfiltret. Se till att inte förväxla ovan- och undersidan av misstag, eftersom de är olika.

- **Fig.18:** 1. Dammstoppets ovasida  
2. Dammstoppets undersida

1. Veckla ut öppningen på pappersfiltret innan du sätter det på dammstoppet.  
► **Fig.19**
2. Sätt i den utskjutande delen på pappersfiltret i dammstoppets spår. Se bilden.  
► **Fig.20:** 1. Dammstopp 2. Spår 3. Pappersfilter

3. Det är ingen skillnad på pappersfiltrets ovan- och undersidor. Du kan sätta i dess utskjutande del på endera sidan i dammstoppets undre spår.

- **Fig.21:** 1. Undre spår

4. Se till att dammstoppets ram överlappar pappersfiltrets ram.

- **Fig.22**

5. Sätt dammstoppet och pappersfiltret tillsammans i dammsugarfacket i den riktning som pilen på dammstoppet visar. Skjut dem hela vägen in i uttagen i dammsugarfacket.

- **Fig.23**

6. Placera hela behållardelen på pappersfiltret inuti själva redskapet.

- **Fig.24**

7. Stäng det främre skyddet ordentligt.

## ANVÄNDNING

För att ansluta tillbehör, som munstycken, vrid och för in dem ordentligt. Om du vill ta bort tillbehören vrid du dem och tar bort dem.

- **Fig.25**

## Dammsugning

### Munstycke

Använd munstycket när du ska dammsuga bord, bänkar, möbler o.dyl. Munstycket skjuts på enkelt.

- **Fig.26:** 1. Munstycke

### Munstycke + förlängningsrör (rakt rör)

Förlängningsröret sätts mellan munstycket och själva dammsugaren. Med detta arrangemang kan du dammsuga bekvämt i upprätt läge.

- **Fig.27:** 1. Dammsugarkropp 2. Förlängningsrör  
3. Munstycke

### Hörnmunstycke

Sätt på hörnmunstycket när du ska dammsuga hörn och springor i bilsäten.

- **Fig.28:** 1. Hörnmunstycke 2. Dammsugarkropp

### Hörnmunstycke + förlängningsrör (rakt rör)

Använd detta arrangemang i trånga utrymmen där inte själva dammsugaren får plats eller på höga höjder som är svåra att nå.

- **Fig.29:** 1. Hörnmunstycke 2. Förlängningsrör  
3. Dammsugarkropp

### Dammsugning utan munstycke

Du kan suga upp pulver och damm utan att använda munstycket.

- **Fig.30**

## UNDERHÅLL

**⚠ FÖRSIKTIGT:** Se alltid till att maskinen är avstängd och batterikassetten borttagen innan inspektion eller underhåll utförs.

**OBSERVERA:** Använd inte bensin, förtunningsmedel, alkohol eller liknande. Missfärgning, deformation eller sprickor kan uppstå.

### Efter användning

**OBSERVERA:** Om du lutar dammsugaren mot väggen utan annat stöd kan den falla ner och skadas.

► Fig.31

### Rengöring

Torka regelbundet av dammsugarens utsida med en trasa fuktad i tvålatten. Rengör även sugöppningen, dammstoppet och facket för dammpåse/pappersfilter.

► Fig.32

Tvätta filtret i tvålatten när det är igensatt av damm och sugstyrkan avtagit. Torka den ordentligt innan användning. Ett filter som inte är helt torrt kan orsaka dålig sugförmåga och förkorta motorns livslängd.

► Fig.33

**OBS:** Pappersfiltret är av engångstyp.

När filtret är igensatt av damm, tar du bort det från dammsugaren och torkar av det eller tvättar det i vatten.

### Ta bort och sätta dit filtret

**⚠ FÖRSIKTIGT:** Sätt tillbaka filtret när du rengjort det. Låt filtret torka om det rengjordes i vatten, innan du sätter tillbaka det. Ett filter som inte är helt torrt kan förkorta motorns livslängd.

Ta bort svampfiltret genom att först ta bort dammsugarpåsen eller pappersfiltret och därefter fatta tag i filtret för att ta ur det.

► Fig.34: 1. Svampfilter

Tryck in hela kanten på svampfiltret mot den infällda väggen inuti facket för dammpåse/pappersfilter.

► Fig.35: 1. Infälld väg

## Felsökning

Kontrollera följande punkter innan du kontaktar service.

Symptom	Område att kontrollera	Åtgärdsmetod
Svag sugförmåga	Är dammpåsen eller pappersfiltret fulla av damm?	Töm dammpåse eller pappersfilter.
	Är dammpåsen igensatt?	Töm på damm eller tvätta dammpåsen.
	Är pappersfiltret igensatt?	Byt pappersfilter.
	Är batterikassetten tom?	Ladda batterikassetten.
Fungerar inte	Är batterikassetten tom?	Ladda batterikassetten.

**OBS:** Försök inte reparera dammsugaren på egen hand.

För att upprätthålla produktens SÄKERHET och TILLFÖRLITLIGHET bör allt underhålls- och justeringsarbete utföras av ett auktoriserat Makita servicecenter och med reservdelar från Makita.

## VALFRIA TILLBEHÖR

**⚠ FÖRSIKTIGT:** Följande tillbehör eller tillsatser rekommenderas för användning med den Makita-maskin som denna bruksanvisning avser. Om andra tillbehör eller tillsatser används kan det uppstå risk för personskador. Använd endast tillbehören eller tillsatserna för de syften de är avsedda för.

Kontakta ditt lokala Makita servicecenter om du behöver ytterligare information om dessa tillbehör.

- Förlängningsrör (rakt rör)
- Munstycke
- Mattmunstycke
- Hyllborste
- Hörnmunstycke
- Rund borste
- Flexibel slang

- Pappersfilter
- Makitas originalbatteri och -laddare

**OBS:** Några av tillbehören i listan kan vara inkluderade i maskinpaketet som standardtillbehör. De kan variera mellan olika länder.

## ADVARSEL

Dette apparatet kan brukes av barn fra 8 år og oppover og av personer med reduserte fysiske, sensoriske eller mentale evner eller mangel på erfaring og kunnskap, såfremt de holdes under oppsyn, har blitt gitt instruksjoner om sikker bruk av apparatet og forstår farene som er involvert. Barn skal ikke leke med apparatet. Rengjøring og brukervedlikehold skal ikke utføres av barn uten oppsyn.

## TEKNISKE DATA

Modell:		CL107FD
Kapasitet	med en støvpose	500 mL
	med et papirfilter	330 mL
Kontinuerlig bruk (med batteri BL1016)	1 (modus for normal hastighet)	Ca. 25 min
	2 (modus for høy hastighet)	Ca. 12 min
	3 (modus for maks. hastighet)	Ca. 10 min
Total lengde	960 mm	
Nominell spenning	DC 10,8 V - 12 V maks	
Batteriinnsetts	BL1015, BL1016, BL1020B, BL1021B	BL1040B, BL1041B
Nettovekt	1,1 kg	1,3 kg

- På grunn av vårt kontinuerlige forsknings- og utviklingsprogram kan spesifikasjonene som oppgis i dette dokumentet endres uten varsel.
- Spesifikasjoner og batteriinnsetts kan variere fra land til land.
- Vekt, med batteriinnsetts, i henhold til EPTA-prosedyre 01/2003

## Symboler

Nedenfor ser du symbolene som brukes for dette utstyret. Forviss deg om at du forstår hva de betyr, før du begynner å bruke maskinen.



Les bruksanvisningen.



Kun for land i EU  
Kast aldri elektroutstyr eller batteripakker i husholdningsavfallet! I henhold til EU-direktivene om kasserte elektriske og elektroniske produkter og om batterier og akkumulatører og brukte batterier og akkumulatører og direktivenes iverksetting i nasjonal rett, må elektriske produkter og batterier og batteripakker som ikke lenger skal brukes, samles separat og returneres til et miljøvennlig gjenvinningsanlegg.

## Riktig bruk

Innretningen er laget for å samle opp tørt støv.

## SIKKERHETSADVARSEL

### Sikkerhetsadvarslar for trådløs støvsuger

**⚠️ ADVARSEL: VIKTIG. LES NØYE alle sikkerhetsadvarslar og instruksjoner FØR BRUK.** Hvis du ikke følger alle advarslene og instruksjonene som er oppført nedenfor, kan det føre til elektriske støt, brann og/eller alvorlige helseskader.

1. **Må ikke utsettes for regn. Oppbevares innendørs.**
2. **Ikke bruk støvsugeren som leketøy. Vær ekstra oppmerksom når den brukes nær barn.**
3. **Bruk støvsugeren kun som beskrevet i denne håndboken. Bruk kun tilbehør som er anbefalt av produsenten.**

4. Må ikke brukes med skadet batteri. Hvis innretningen ikke virker som den skal, er blitt mistet i bakken, ødelagt, gjenglemt utendørs eller mistet i vann, må du levere den inn til et serviceverksted.
5. Ikke håndter innretningen med våte hender.
6. Ikke putt gjenstander inn i åpningene. Ikke bruk støvsugeren hvis noen av åpningene er blokkert. Hold den fri for støv, lo, hår og annet som kan redusere luftstrømmen.
7. Hold hår, løstsittende klær, fingrene og alle kroppsdelene unna åpninger og bevegelige deler.
8. Slå av alle kontroller før du tar ut batteriet.
9. Vær ekstra forsiktig ved rengjøring av trapper.
10. Må ikke brukes til å ta opp brennbare eller eksplosive væsker som bensin, og må heller ikke brukes i områder der disse kan forekomme.
11. Lading må kun foregå med laderen som fulgte med fra produsenten.
12. Ikke plukk opp noe som brenner eller ryker, som sigaretter, fyrstikker eller varm aske.
13. Må ikke brukes uten at støvpose og/eller filtre er på plass.
14. Ikke lad batteriet utendørs.
15. Batteriet må kun lades opp igjen med en lader spesifisert av produsenten. En lader som passer til én batteritype, kan være brannfarlig når den brukes med en annen batteritype.
16. Elektroverktøy skal kun brukes med spesifikt angitte batterier. Hvis det brukes et hvilket som helst annet batteri, kan dette utgjøre en fare for personskader og brann.
17. Når batteripakken ikke er i bruk, bør du holde den unna metallgjenstander som binders, mynter, nøkler, spiker, skruer og andre små metallgjenstander som kan skape forbindelse mellom én pol og en annen.
18. Hvis batteriet settes for hardhendt bruk, kan det lekke væske fra batteriet. Unngå kontakt med væsken. Hvis du kommer i kontakt med batterivæsken, må du skylle med vann.

## TA VARE PÅ DISSE INSTRUKSJONENE.

### YTTERLIGERE SIKKERHETSREGLER

Denne innretningen er beregnet på å brukes i husholdningen.

1. Les grundig gjennom denne bruksanvisningen og bruksanvisningen for laderen før bruk.
2. Ikke plukk opp følgende materialer:
  - Varme materialer som påtente sigaretter eller gnister/metallstøv fra sliping/kutting av metall
  - Brennbare materialer som bensin, tynner, lettbensin, parafin eller maling
  - Eksplosive materialer som nitroglyserin

— Antennelignende materialer som aluminium, sink, magnesium, titan, fosfor eller celluloid

— Fuktig smuss, vann, olje eller lignende

— Harde gjenstander med skarpe kanter som treflisser, metaller, steiner, glass, spiker, nåler eller barberblader

— Pulver som kan stivne som sement eller toner

— Elektrisk ledende støv fra metall eller karbon

— Fine partikler som betongstøv

Slike handlinger kan forårsake brann, personskader og/eller materielle skader.

3. Hvis du merker at noe er uvanlig, må du stanse arbeidet omgående.
4. Hvis du mister støvsugeren, eller kommer til å slå borti den, må du kontrollere den grundig med tanke på sprekker eller skader før bruk.
5. Ikke plasser innretningen nær ovner eller andre varmekilder.
6. Ikke blokker inntaksåpningen eller ventilasjonsåpningene.

## TA VARE PÅ DISSE INSTRUKSJONENE.

### Viktige sikkerhetsanvisninger for batteriinnsetning

1. Før du begynner å bruke batteriet, må du lese alle anvisninger og forsiktighetsregler på (1) batteriladeren, (2) batteriet og (3) det produktet batteriet skal brukes i.
  2. Ikke ta fra hverandre batteriet.
  3. Hvis driftstiden er blitt vesentlig kortere, må du omgående slutte å bruke maskinen. Hvis ikke kan resultatet bli overoppheting, mulige forbrenninger eller til og med en eksplosjon.
  4. Hvis du får elektrolytt i øynene, må du skylle dem med store mengder rennende vann og oppsøke lege med én gang. Denne typen uhell kan føre til varig blindhet.
  5. Ikke kortslett batteriet:
    - (1) De kan være ekstremt varme og du kan brenne deg.
    - (2) Ikke lagre batteriet i samme beholder som andre metallgjenstander, som for eksempel spiker, mynter osv.
    - (3) Ikke la batteriet komme i kontakt med vann eller regn.
- En kortslutning av batteriet kan føre til et kraftig strømstøt, overoppheting, mulige forbrenninger og til og med til at batteriet går i stykker.
6. Ikke lagre maskinen og batteriet på steder hvor temperaturen kan komme opp i eller overskride 50 °C.
  7. Ikke sett fyr på batteriet, ikke engang om det er sterkt skadet eller helt utslitt. Batteriet kan eksplodere hvis det begynner å brenne.
  8. Vær forsiktig så du ikke mister batteriet eller utsetter det for slag.

9. **Ikke bruk batterier som er skadet.**
10. **Lithium-ion-batteriene som medfølger er gjenstand for krav om spesialavfall.**  
For kommersiell transport, f.eks av tredjeparter eller speditorer, må spesielle krav om pakking og merking følges.  
Før varen blir sendt, må du forhøre deg med en ekspert på farlig materiale. Ta også hensyn til muligheten for mer detaljerte nasjonale bestemmelser.  
Bruk teip eller maskeringsteip for å skjule åpne kontakter og pakk inn batteriet på en slik måte at den ikke kan bevege seg rundt i emballasjen.
11. **Følg lokale bestemmelser for avhending av batterier.**
12. **Bruk batteriene kun med produkter spesifisert av Makita.** Montere batteriene i produkter som ikke er konforme kan føre til brann, overheting eller elektrolyttlekkasje.

## TA VARE PÅ DISSE INSTRUKSENE.

**⚠FORSIKTIG:** Bruk kun originale Makita-batterier. Bruk av batterier som har endret seg, eller som ikke er originale Makita-batterier, kan føre til at batteriet sprekker og forårsaker brann, personskader og andre skader. Det vil også ugyldiggjøre garantien for Makita-verktøyet og -laderen.

## Tips for å opprettholde maksimal batterilevetid

1. **Lad batteriinnsetsen før den er helt utladet. Stopp alltid driften av verktøyet og lad batteriinnsetsen når du merker at effekten reduseres.**
2. **Lad aldri en batteriinnsets som er fulladet. Overopplading forkorter batteriets levetid.**
3. **Lad batteriet i romtemperatur ved 10 °C - 40 °C. Et varmt batteri må kjøles ned før lading.**

## FUNKSJONSBEKRIVELSE

**⚠FORSIKTIG:** Forviss deg alltid om at maskinen er slått av og batteriet tatt ut før du justerer maskinen eller kontrollerer dens mekaniske funksjoner.

**⚠FORSIKTIG:** Vær forsiktig så du ikke klemmer fingeren/fingrene mellom støvsugeren og batteriet, som vist på tegningen, når du setter inn batteriet. Å få en eller flere fingre i klem kan medføre personskader.

► Fig.1

## Sette inn eller ta ut batteri

**⚠FORSIKTIG:** Slå alltid av verktøyet før du setter inn eller fjerner batteriet.

**⚠FORSIKTIG:** Hold verktøyet og batteripatronen i et fast grep når du monterer eller fjerner batteripatronen. Hvis du ikke holder verktøyet og batteripatronen godt fast, kan du miste grepet, og dette kan føre til skader på verktøyet og batteripatronen samt personskader.

► Fig.2: 1. Rød indikator 2. Knapp 3. Batteriinnsets

For å ta ut batteriet må du skyve på knappen foran på batteriet og trekke det ut.

Når du skal sette inn batteriet, må du plassere tungen på batteriet på linje med sporet i huset og skyve batteriet på plass. Skyv det helt inn til det går i inngrep med et lite klikk. Hvis du kan se den røde anviseren på oversiden av knappen, er det ikke fullstendig låst.

**⚠FORSIKTIG:** Batteriet må alltid settes helt inn, så langt at den røde anviseren ikke lenger er synlig. Hvis dette ikke gjøres, kan batteriet komme til å falle ut av maskinen og skade deg eller andre som oppholder seg i nærheten.

**⚠FORSIKTIG:** Ikke bruk makt når du setter i batteriet. Hvis batteriet ikke glir lett inn, er det fordi det ikke settes inn på riktig måte.

## Batteribeskyttelsessystem

Verktøyer er utstyrt med et batterivernsystem. Dette systemet slår automatisk av strømmen til motoren for å forlenge batteriets levetid.

Verktøyet stopper automatisk ved drift hvis det og/eller batteriet utsettes for en av følgende tilstander:

### Overbelastning:

Verktøyet brukes på en måte som gjør at det trekker uvanlig mye strøm.

I dette tilfellet må du slå av verktøyet og avslutte bruken som forårsaket at verktøyet ble overbelastet. Slå deretter verktøyet på for å starte det igjen.

### Lav batterispennning:

Gjenværende batterikapasitet er for lav og verktøyet vil ikke fungere. Når du starter verktøyet, starter motoren, men den stopper like etterpå. I dette tilfellet, fjern og lad batteriet opp igjen.

## Indikere gjenværende batterikapasitet

**Kun for batterier med indikatoren**

► **Fig.3:** 1. Indikatorlamper 2. Kontrollknapp

Trykk på sjekk-knappen på batteriet for vise gjenværende batterikapasitet. Indikatorlampene lyser i et par sekunder.

Indikatorlamper		Gjenværende batterinivå
Tent	Av	
■ ■ ■ ■	□	75% til 100%
■ ■ ■ □	□	50% til 75%
■ ■ □ □	□ □	25% til 50%
■ □ □ □	□ □ □ □	0% til 25%

**MERK:** Det angitte nivået kan avvike noe fra den faktiske kapasiteten alt etter bruksforholdene og den omgivende temperaturen.

## Bryterfunksjon

► **Fig.4:** 1. Knapp for PÅ/hastighetsendring 2. Knapp for AV

Trykk på knappen for PÅ/hastighetsendring for å starte støvsugeren. Trykk knappen for AV for å slå den av. Du kan endre støvsugerens hastighet i tre trinn ved å trykke på knappen for PÅ/hastighetsendring. Det første trykket på knappen gir modus for høy hastighet, det andre trykket modus for maks. hastighet og det tredje trykket normal hastighet. Hvert påfølgende trykk på knappen gjentar syklusen høy/maks./normal hastighet.

## Tenne lampen

**⚠FORSIKTIG:** Ikke se inn i lyset eller se direkte på lyskilden.

► **Fig.5:** 1. Knapp for PÅ/hastighetsendring 2. Knapp for AV 3. Lampe

Trykk på knappen for PÅ/hastighetsendring for å slå av lampen. Trykk på knappen for AV når du vil slå av lampen. Lampen slår seg på når innretningen aktiveres. Når gjenværende batterikapasitet blir lav, begynner lampen å blinke.

**MERK:** Lampen begynner å blinke avhengig av temperaturen på arbeidsplassen, og batteritilstanden.

## MONTERING

**⚠FORSIKTIG:** Forviss deg alltid om at maskinen er slått av og batteriet tatt ut før du utfører noe arbeid på maskinen.

## Kassering av støv

**⚠FORSIKTIG:** Tøm støvsugeren før den blir for full, ellers reduseres sugekraften.

**⚠FORSIKTIG:** Pass på å tømme støv inni selve støvsugeren. Hvis du ikke gjør det, kan filteret tettes eller motoren ødelegges.

**⚠FORSIKTIG:** Støvstopperen må ikke kastes, for den må brukes når du bruker støvposen eller papirfilteret.

**⚠FORSIKTIG:** Når du lukker frontdekslet, må du være forsiktig så du ikke klemmer fingrene.

1. Trykk på knappen for å åpne frontdekslet. Du åpner det til du hører et klikk, og det festes i denne posisjonen.

► **Fig.6:** 1. Frontdeksel 2. Knapp

2. Trekk ut både den oransjefargede støvstopperen og støvposen samtidig.

► **Fig.7:** 1. Støvstopper

3. Fjern støvstopperen, og tøm støvsugeren.

► **Fig.8:** 1. Støvstopper

► **Fig.9**

**MERK:** Støvsugeren er laget slik at frontdekslet løsner når en forsøker å bryte det opp i en vinkel på mer enn 90°. Hvis frontdekslet løsner, setter du det bare på plass i dekselledet.

► **Fig.10:** 1. Frontdeksel 2. Frontdekselled

## Støvpose og papirfilter

Sett inn enten støvposen eller papirfilteret før du bruker støvsugeren.

Bruk støvstopperen når du setter inn støvposen eller papirfilteret. Støvposen kan brukes mange ganger, hvis den tømmes mellom hver gang.

Papirfilteret er til engangsbruk. Kast hele papirfilteret uten å tømme det når det er fullt.

**OBS:** Slik forhindrer du at det kommer støv inn i motoren:

- Forviss deg om at støvposen eller papirfilteret er satt inn før bruk.
- Sett støvstopperen, sammen med støvposen eller papirfilteret, helt inn i sporene.
- Ikke bruk posen hvis den er skadet eller revnet.

Det kan føre til at motoren blir ødelagt.

**OBS:** Ikke brett kartongen ved åpningen når du setter inn papirfilteret.

**OBS:** Støvstopperen må ikke kastes, for den må brukes om igjen, enten du bruker støvpose eller papirfilter.

**OBS:** Papirfilteret er en viktig komponent for støvsugeren for å opprettholde ytelsen. Bruk av et annet filter enn det originale papirfilteret kan forårsake røykdannelse eller brann.

## Sette inn støvpose

Bruk støvstopperen når du setter inn støvposen. Pass på så du ikke forveksler oversiden og undersiden, da de er forskjellige.

- **Fig.11:** 1. Støvstopperens overside  
2. Støvstopperens underside

1. Sett fremspringet på støvposen inn i sporet i støvstopperen som vist i figuren.

- **Fig.12:** 1. Støvstopper 2. Spor 3. Støvpose

2. Det er ingen forskjell på over- og undersiden av støvposen. Du kan sette fremspringet på den ene eller andre siden av posen inn i det nedre sporet til støvstopperen.

- **Fig.13:** 1. Nedre spor

3. La rammen til støvstopperen og rammen til støvposen overlappe hverandre.

- **Fig.14**

4. Plasser støvstopperen og støvposen sammen i hulrommet i støvsugeren, i samme retning som pilen på støvstopperen peker. Sett dem helt inn i sporene i hulrommet i støvsugeren.

- **Fig.15:** 1. Hulrom i støvsugeren

5. Plasser hele tekstildelen av støvposen inn i selve støvsugeren.

- **Fig.16**

6. Lukk frontdekselet helt igjen.

- **Fig.17:** 1. Frontdeksel

## Sette inn papirfilteret

Bruk støvstopperen også når du setter inn papirfilteret. Pass på så du ikke forveksler oversiden og undersiden, da de er forskjellige.

- **Fig.18:** 1. Støvstopperens overside  
2. Støvstopperens underside

1. Brett ut åpningen på papirfilteret før du setter det på støvstopperen.

- **Fig.19**

2. Sett fremspringet på papirfilteret inn i sporet i støvstopperen som vist i figuren.

- **Fig.20:** 1. Støvstopper 2. Spor 3. Papirfilter

3. Det er ingen forskjell på over- og undersiden av papirfilteret. Du kan sette fremspringet på den ene eller andre siden inn i det nedre sporet til støvstopperen.

- **Fig.21:** 1. Nedre spor

4. La rammen til støvstopperen og rammen til papirfilteret overlappe hverandre.

- **Fig.22**

5. Plasser støvstopperen og papirfilteret sammen i hulrommet i støvsugeren, i samme retning som pilen på støvstopperen peker. Sett dem helt inn i sporene i hulrommet i støvsugeren.

- **Fig.23**

6. Plasser hele beholderdelen av papirfilteret inn i selve støvsugeren.

- **Fig.24**

7. Lukk frontdekselet helt igjen.

## BRUK

Hvis du vil koble til tilbehør, for eksempel et munnstykke, må du vri og sette inn tilbehøret slik at det sitter godt fast. Hvis du vil koble fra tilbehør, vrir og trekker du det ut.

- **Fig.25**

## Rengjøring (suging)

### Munnstykke

Fest munnstykket for å støvsuge bord, møbler, osv. Det er lett å sette på munnstykket.

- **Fig.26:** 1. Munnstykke

### Munnstykke + teleskoprør (rett rør)

Teleskoprøret passer inn mellom munnstykket og selve støvsugeren. Denne anordningen er praktisk når du vil gjøre rent på gulvet og samtidig stå oppreist.

- **Fig.27:** 1. Støvsugerhus 2. Teleskoprør  
3. Munnstykke

### Hjørnemunnstykke

Sett på hjørnemunnstykket for rengjøring av hjørner og hulrom i en bil eller i møbler.

- **Fig.28:** 1. Hjørnemunnstykke 2. Støvsugerhus

### Hjørnemunnstykke + teleskoprør (rett rør)

På trange steder der støvsugeren selv ikke får plass, eller på steder som er høyt oppe og vanskelige å nå, bør du bruke denne anordningen.

- **Fig.29:** 1. Hjørnemunnstykke 2. Teleskoprør  
3. Støvsugerhus

### Støvsuge uten munnstykke

Du kan støvsuge pulver og støv uten munnstykke.

- **Fig.30**

## VEDLIKEHOLD

**⚠FORSIKTIG:** Forviss deg alltid om at maskinen er slått av og batteriet tatt ut før du foretar inspeksjon eller vedlikehold.

**OBS:** Aldri bruk gasolin, bensin, tynner alkohol eller lignende. Det kan føre til misfarging, deformering eller sprekke dannelse.

### Etter bruk

**OBS:** Hvis du plasserer støvsugeren mot en vegg uten annen støtte, kan støvsugeren velte og bli skadet.

- **Fig.31**

## Rengjøring

Fra tid til annen må du tørke av utsiden av støvsugerens (støvsugerhuset) med en klut fuktet i såpevann.

Gjør også rent i sugeåpningen, monteringsområdet for støvpose/papirfilter og støvstopperen.

► **Fig.32**

Vask filteret i såpevann når det er tett av støv og sugeeffekten blir dårlig. Tørk det ordentlig før bruk. Et filter som ikke er skikkelig tørt kan føre til dårlig sugeeffekt og forkorte motorens levetid.

► **Fig.33**

**MERK:** Papirfilteret er til engangsbruk.

Når svampfilteret er tilstoppet av støv, må du fjerne det fra støvsugerens og tørke av det eller vaske det med vann.

## Fjerne og sette inn svampfilteret

**⚠FORSIKTIG:** Etter at du har renset svampfilteret, må du passe på å sette det i støvsugerens. Hvis det vaskes med vann, må du tørke det før det settes inn. Et utilstrekkelig tørt svampfilter kan forkorte motorens levetid.

Når du vil fjerne svampfilteret, må du fjerne støvposen eller papirfilteret, klemme det sammen og ta det ut.

► **Fig.34:** 1. Svampfilter

Trykk inn hele kanten av svampfilteret mot den utsparte veggen på innsiden av monteringsområdet for støvposen/papirfilteret.

► **Fig.35:** 1. Utspart vegg

## Feilsøking

Før du bestiller reparasjon, bør du kontrollere følgende punkter.

Symptom	Område som skal undersøkes	Løsning
Dårlig sugeeffekt	Er støvposen eller papirfilteret fullt av støv?	Tøm støvposen eller papirfilteret.
	Er støvposen tilstoppet?	Fjern støvet eller vask støvposen.
	Er papirfilteret tilstoppet?	Bytt papirfilter.
	Er batteriet tomt?	Lad batteriet.
Fungerer ikke	Er batteriet tomt?	Lad batteriet.

**MERK:** Ikke forsøk å reparere støvsugerens selv.

Før å opprettholde produktets SIKKERHET og PÅLITELIGHET, må reparasjoner, vedlikehold og justeringer utføres av autoriserte Makita servicesentre eller fabrikksservicesentre, og det må alltid brukes reservedeler fra Makita.

## VALGFRITT TILBEHØR

**⚠FORSIKTIG:** Det anbefales at du bruker dette tilbehøret eller verktøyet sammen med den Makita-maskinen som er spesifisert i denne håndboken. Bruk av annet tilbehør eller verktøy kan forårsake personskader. Tilbehør og verktøy må kun brukes til det formålet det er beregnet på.

Ta kontakt med ditt lokale Makita-servicesenter hvis du trenger mer informasjon om dette tilbehøret.

- Teleskoprør (rett rør)
- Munnstykke
- Teppemunnstykke
- Hyllebørste
- Hjømemunnstykke
- Rund børste
- Fleksibel slange
- Papirfilter
- Makita originalbatteri og lader

**MERK:** Enkelte elementer i listen kan være inkludert som standardtilbehør i verktøypakken. Elementene kan variere fra land til land.



## VAROITUS

Tätä laitetta voivat käyttää myös 8-vuotiaat tai sitä vanhemmat lapset sekä henkilöt, joiden fyysiset, sensoriset tai henkiset kyvyt ovat rajoittuneet tai joilla ei ole kokemusta tai tietoa laitteen käytöstä, jos he käyttävät laitetta valvotusti tai jos heille annetaan riittävät ohjeet laitteen käyttämiseksi turvallisella tavalla ja he ymmärtävät siihen liittyvät riskit. Lapset eivät saa leikkiä laitteella. Lapset eivät saa puhdistaa tai huoltaa laitetta ilman valvontaa.

## TEKNISET TIEDOT

Malli:	CL107FD	
Kapasiteetti	pölypussilla	500 mL
	paperipussilla	330 mL
Jatkuva käyttö (akulla BL1016)	1 (Normaali nopeustila)	Noin 25 min
	2 (Suurnopeustila)	Noin 12 min
	3 (Maksiminopeustila)	Noin 10 min
Kokonaispituus	960 mm	
Nimellisjännite	DC 10,8 V - 12 V maks.	
Akkupaketti	BL1015, BL1016, BL1020B, BL1021B	BL1040B, BL1041B
Nettopaino	1,1 kg	1,3 kg

- Jatkuvasta tutkimus- ja kehitystyöstämme johtuen esitetyt tekniset tiedot saattavat muuttua ilman erillistä ilmoitusta.
- Tekniset tiedot ja akkupaketti voivat vaihdella maittain.
- Paino akkupaketilla, EPTA-menettelyn 01/2003 mukaan

## Symbolit

Laitteessa on käytetty seuraavia symboleja. Opettele niiden merkitys ennen käyttöä.



Lue käyttöohje.



Ni-MH  
Li-ion

Koskee vain EU-maita  
Älä hävitä sähkölaitteita tai akkuja tavallisen kotitalousjätteen mukana! Sähkö- ja elektroniikkalaiteromua koskevan EU-direktiivin ja paristoja ja akkuja sekä käytettyjä paristoja ja akkuja koskevan direktiivin ja niiden maakohtaisten sovelusten mukaisesti käytetyt sähkölaitteet ja akkupaketti (-paketit) on toimitettava ongelmajätteen keräyspisteeseen ja ohjattava ympäristöystävälliseen kierrätykseen.

## Käyttötarkoitus

Laitte on tarkoitettu kuivan pölyn imuroimiseen.

## TURVAVAROITUKSET

### Akkukäyttöisen pölynimurin turvallisuusohjeet

**VAROITUS: LUE HUOLELLISESTI kaikki turvavaroitukset ja käyttöohjeet ENNEN KÄYTTÖÄ.** Jos varoitusten ja ohjeiden noudattaminen laiminlyödään, seurauksena voi olla sähköisku, tulipalo ja/tai vakava vammautuminen.

1. Älä altista laitetta sateelle. Säilytä laitteita sisätiloissa.
2. Älä anna lasten käyttää laitetta leluksi. Noudata suurta varovaisuutta, jos annat lasten käyttää laitetta tai käytät laitetta lasten läsnäollessa.
3. Käytä laitetta vain tämän käyttöohjeen mukaisella tavalla. Käytä ainoastaan valmistajan suosittelemia lisävarusteita.

4. Älä käytä laitetta viallisen akun kanssa. Jos laite ei toimi asianmukaisesti tai se on pudonnut, vaurioitunut, jätetty ulos tai pudotettu veteen, toimita se huoltoon.
5. Älä käytä laitetta märin käsin.
6. Älä laita mitään kohteita laitteen aukkoihin. Älä käytä laitetta jos joku aukoista on tukossa: pidä aukot puhtaana pölystä, nukasta, hiuksista tai muusta, joka voi haitata ilman virtausta.
7. Pidä hiukset, vaatteet, sormet ja muut kehon osat kaukana laitteen aukoista ja liikkuvista osista.
8. Katkaise virta kaikista säätimistä ennen akun irrottamista.
9. Noudata suurta varovaisuutta portaiden imuroinnin aikana.
10. Älä käytä laitetta syttyvien tai palavien nesteiden, kuten bensiinin, keräämiseen. Älä myöskään käytä sitä tiloissa, joissa voi olla tällaisia nesteitä.
11. Käytä lataamiseen vain valmistajan toimittamaa laturia.
12. Älä kerää mitään palavaa tai savuavaa, kuten savukkeita, tulitikkuja tai kuumaa tuhkaa.
13. Älä käytä laitetta ilman pölypussia ja/tai suodattimia.
14. Älä lataa akkua ulkona.
15. Lataa akkua vain valmistajan määrittämällä laturilla. Tietyille akuille sopiva laturi voi aiheuttaa tulipalovaaran, jos sitä käytetään muuntyyppisen toisen akun kanssa.
16. Käytä sähkötyökaluja vain määritysten mukaisten akkujen kanssa. Muuntyyppisten akkujen käyttäminen voi aiheuttaa loukkaantumista tai tulipalovaaran.
17. Kun akku ei ole käytössä, säilytä se erillään metalliesineistä, kuten paperiliittimistä, kolikoista, avaimista, nauloista, ruuveista ja muista pienistä metallikappaleista, jotka voivat yhdistää akun navat.
18. Akusta voi vuotaa nestettä, jos sitä käsitellään väärin. Vältä kosketusta. Jos nestettä pääsee iholle vahingossa, huuhtele iho vedellä.

## SÄILYÄ NÄMÄ OHJEET.

### LISÄTURVALLISUUSOHJEITA

Tämä laite on tarkoitettu kotikäyttöön.

1. Lue tämä käyttöohje sekä laturin käyttöohje huolellisesti ennen käyttöä.
  2. Älä kerää seuraavia aineita:
    - Kuumia aineita, esimerkiksi palavia savukkeita tai metallin hiomisesta tai työstämisestä syntyneitä kipinöitä tai metallipölyä
    - Tulenarkoja aineita, esimerkiksi moottoritai puhdistusbensiiniä, tinneriä, petrolia tai maalia
    - Räjähäviä aineita, esimerkiksi nitroglyseriiniä
  - Heikosti syttyviä aineita, kuten alumiinia, sinkkiä, magnesiumia, titaania, fosforia tai selluloidia
  - Märkää hiekkaa tai savea, vettä, öljyä tai vastaavia aineita
  - Kovia teräväsärmäisiä esineitä, esimerkiksi puunsäleitä, metallinkappaleita, lasia, nauhoja, neuvoja ja partakoneenteriiä
  - Paakkuuntuvia jauheita, esimerkiksi sementtiä tai väriaineita
  - Sähköä johtavaa pölyä, esimerkiksi metalli- tai hiilipölyä
  - Hienojakoisia aineita, esimerkiksi betonipölyä
- Tämä voi aiheuttaa tulipalon sekä henkilö- ja/ tai omaisuusvahinkoja.
3. Lopeta käyttö heti, jos havaitset mitään epänormaalia.
  4. Jos imuri kolhiintuu tai putoaa maahan, tarkasta, tuliko nauhoja vaurioita, ennen kuin käytät sitä.
  5. Älä käytä imuria uunien tai muiden lämmönlähteiden läheisyydessä.
  6. Älä tuki ilmanottoaukkoa tai tuuletusaukkoja.

## SÄILYÄ NÄMÄ OHJEET.

### Akkupakettia koskevia tärkeitä turvaohjeita

1. Ennen akun käyttöönottoa tutustu kaikkiin laturissa (1), akussa (2) ja akkukäyttöisessä tuotteessa (3) oleviin varoitusteksteihin.
  2. Älä pura akkua.
  3. Jos akun toiminta-aika lyhenee merkittävästi, lopeta akun käyttö. Seurauksena voi olla ylikuumeneminen, palovammoja tai jopa räjähdys.
  4. Jos akkunestettä pääsee silmiin, huuhtele puhtaalla vedellä ja hakeudu välittömästi lääkärin hoitoon. Akkuneste voi aiheuttaa näön menetyksen.
  5. Älä oikosulje akkua.
    - (1) Älä koske akun napoihin millään sähköä johtavalla materiaalilla.
    - (2) Vältä akun oikosulkemista äläkä säilytä akkua yhdessä muiden metalliesineiden, kuten naulojen, kolikoiden ja niin edelleen kanssa.
    - (3) Älä aseta akkua alttiiksi vedelle tai sateelle.
- Oikosulku voi aiheuttaa virtapiikin, ylikuumentumista, palovammoja tai laitteen rikkoontumisen.
6. Älä säilytä työkalua ja akkua paikassa, jossa lämpötila voi nousta 50 °C:een tai sitäkin korkeammaksi.
  7. Älä hävitä akkua polttamalla, vaikka se olisi pahoin vaurioitunut tai täysin loppuun kulunut. Avotuli voi aiheuttaa akun räjähtämisen.
  8. Varo kolhimasta tai pudottamasta akkua.
  9. Älä käytä viallista akkua.

10. **Sisältyviä litium-ioni-akkuja koskevat vaarallisten aineiden lainsäädännön vaatimukset.** Esimerkiksi kolmansien osapuolten huolintaliikkeiden tulee kaupallisissa kuljetuksissa noudattaa pakkaamista ja merkintöjä koskevia erityisvaatimuksia. Lähetettävän tuotteen valmistelu edellyttää vaarallisten aineiden asiantuntijan neuvontaa. Huomioi myös mahdollisesti yksityiskohtaisemmat kansalliset määräykset. Akun avoimet liittimet tulee suojata teipillä tai suojuksella ja pakkaaminen tulee tehdä niin, ettei akku voi liikkua pakkauksessa.
11. **Hävität akku paikallisten määräysten mukaisesti.**
12. **Käytä akkuja vain Makitan ilmoittamien tuotteiden kanssa.** Akkujen asentaminen yhteensopimattomiin tuotteisiin voi aiheuttaa tulipalon, liiallisen ylikuumentumisen, räjähdyksen tai akkunestevuotoja.

## SÄILYTÄ NÄMÄ OHJEET.

**⚠HUOMIO:** Käytä vain alkuperäisiä Makita-akkuja. Muiden kuin aitojen Makita-akkujen, tai mahdollisesti muutettujen akkujen käyttö voi johtaa akun murtumiseen ja aiheuttaa tulipaloja, henkilö- ja omaisuusvahinkoja. Se mitätöi myös Makita-työkalun ja -laturin Makita-takuun.

## Vihjeitä akun käyttöiän pidentämiseksi

1. **Lataa akku ennen kuin se purkautuu täysin. Lopeta aina työkalun käyttö ja lataa akku, jos huomaat työkalun tehon vähenevän.**
2. **Älä koskaan lataa uudestaan täysin ladattua akkuja. Yliilataaminen lyhentää akun käyttöikää.**
3. **Lataa akku huoneen lämpötilassa välillä 10 °C - 40 °C. Anna kuuman akun jäähtyä ennen lataamista.**

## TOIMINTOJEN KUVAUS

**⚠HUOMIO:** Varmista aina ennen säätöjä ja tarkastuksia, että työkalu on sammutettu ja akkupaketti irrotettu.

**⚠HUOMIO:** Varo, että sormesi eivät jää imurin ja akun väliin akkua latauksen aikana kuvan osoittamalla tavalla. Sormien puristuminen voi aiheuttaa tapaturmia.

► Kuva1

## Akun asentaminen tai irrottaminen

**⚠HUOMIO:** Sammuta työkalu aina ennen akun kiinnittämistä tai irrottamista.

**⚠HUOMIO:** Pidä työkalusta ja akusta tiukasti kiinni, kun irrotat tai kiinnität akkuja. Jos akkupaketti tai työkalu putoaa, ne voivat vaurioitua tai aiheuttaa tapaturman.

► **Kuva2:** 1. Punainen merkkivalo 2. Painike 3. Akkupaketti

Irrota akku painamalla akun etupuolella olevaa painiketta ja vetämällä akku ulos työkalusta.

Akku liitetään sovitamalla akun kielekele rungon uraan ja työntämällä se sitten paikoilleen. Työnnä akku pohjaan asti niin, että kuulet sen napsahtavan paikoilleen. Jos painikkeen yläpuolella näkyy punainen ilmaisin, akku ei ole lukkiutunut täysin paikoilleen.

**⚠HUOMIO:** Työnnä akku aina pohjaan asti, niin että punainen ilmaisin ei enää näy. Jos akku ei ole kunnolla paikallaan, se voi pudota työkalusta ja aiheuttaa vammoja joko sinulle tai sivullisille.

**⚠HUOMIO:** Älä käytä voimaa akun asennuksessa. Jos akku ei lii'u paikalleen helposti, se on väärässä asennossa.

## Akun suojausjärjestelmä

Työkalu on varustettu akun suojausjärjestelmällä. Tämä järjestelmä pidentää akun käyttöikää katkaisemalla moottorin virran automaattisesti.

Työkalu pysähtyy automaattisesti kesken käytön, jos työkalussa tai akussa ilmenee jokin seuraavista tilanteista:

### Ylikuormitus:

Työkalua käytetään tavalla, joka saa sen kuluttamaan epätavallisen paljon virtaa.

Katkaise tässä tilanteessa työkalusta virta ja lopeta ylikuormitustilan aiheuttanut käyttö. Käynnistä sitten työkalu uudelleen kytkemällä siihen virta.

### Alhainen akun jännite:

Accun varaus on liian alhainen eikä riitä työkalun käyttämiseen. Jos kytket työkalun päälle, moottori alkaa toimia, mutta pysähtyy pian. Irrota tässä tilanteessa akku ja lataa se.

## Akun jäljellä olevan varaustason ilmaisin

Vain akkupaketeille ilmaisimella

► **Kuva3:** 1. Merkkivalot 2. Tarkistuspainike

Painamalla tarkistuspainiketta saat näkyviin akun jäljellä olevan varauksen. Merkkivalot palavat muutaman sekunnin ajan.

Merkkivalot		Akussa jäljellä olevan varaus
Palaa	Pois päältä	
		75% - 100%
		50% - 75%
		25% - 50%
		0% - 25%

**HUOMAA:** Ilmoitettu varaustaso voi erota hieman todellisesta varaustasosta sen mukaan, millaisissa oloissa ja missä lämpötilassa laitetta käytetään.

## Kytkimen käyttäminen

► **Kuva4:** 1. ON/nopeudenvaihtopainike  
2. OFF-painike

Käynnistä imuri painamalla ON/nopeudenvaihtopainiketta. Sammuta painamalla OFF-painiketta. Voit muuttaa imurin nopeutta kolmivaiheisesti painamalla ON/nopeudenvaihtopainiketta. Ensimmäinen painikkeen painallus siirtää toiminnon suurnopeustilaan, toinen painallus maksiminopeustilaan ja kolmas painallus normaaliin nopeustilaan. Kukin painikkeen painallus vaihtaa käyntinopeutta suur-/maksimi-/normaaliin nopeustilan välillä.

## Lampun sytyttäminen

**HUOMIO:** Älä katso suoraan lamppuun tai valonlähteeseen.

► **Kuva5:** 1. ON/nopeudenvaihtopainike 2. OFF-painike 3. Lamppu

Käynnistä valo painamalla ON/nopeudenvaihtopainiketta. Sammuta painamalla OFF-painiketta. Valo palaa kun laite on toiminnassa. Kun akun varaus on vähissä, merkkivalo alkaa vilkkua.

**HUOMAA:** Merkkivalon vilkkumisajankohta vaihtelee työskentelyalueen lämpötilan ja akkukasetin olosuhteiden mukaan.

## KOKOONPANO

**HUOMIO:** Varmista aina ennen mitään työkalulle tehtäviä toimenpiteitä, että se on sammutettu ja akku irrotettu.

## Pölyn hävittäminen

**HUOMIO:** Tyhjennä imuri ennen sen täyttämistä, jotta imuteho ei heikkene.

**HUOMIO:** Varmista, että puhdistat myös imurin sisäpuolen pölystä. Muussa tapauksessa suodatin voi tukkeutua ja moottori vaurioitua.

**HUOMIO:** Älä heitä pölytiivistettä pois, sillä sitä tulee käyttää, kun käytettäessä pölypussia tai paperipussia.

**HUOMIO:** Varo, etteivät sormesi jää etukannen väliin sulkiessasi sitä.

1. Avaa etukansi painamalla painiketta. Kun käännät kanta siihen saakka, kunnes kuulet napsahduksen, kansi jää auki tähän asentoon.

► **Kuva6:** 1. Etukansi 2. Painike

2. Irrota oranssi pölytiiviste ja pölypussi samanaikaisesti.

► **Kuva7:** 1. Pölytiiviste

3. Irrota pölytiiviste ja tyhjennä imuri.

► **Kuva8:** 1. Pölytiiviste

► **Kuva9**

**HUOMAA:** Imuri on rakennettu siten, että etukansi irtoaa, jos se yritetään kääntää auki yli 90° kulmaan. Jos etukansi irtoaa, työnnä se takaisin paikalleen etukannen saranaan.

► **Kuva10:** 1. Etukansi 2. Etukannen sarana

## Pölypussi ja paperipussi

Asenna imuriin joko pölypussi tai paperipussi ennen imurin käyttöä.

Käytä pölytiivistettä, kun asennat pölypussin tai paperipussin.

Pölypussin voi tyhjentää, joten sitä voi käyttää useita kertoja. Paperipussit ovat kertakäyttöisiä. Heitä täysi paperipussi pois sellaisenaan tyhjentämättä sitä.

**HUOMAUTUS:** Pölyn pääsyn estäminen moottoriin:

- Varmista, että pölypussi tai paperipussi on asennettu oikein paikalleen ennen imurin käyttöä.
- Aseta pölytiiviste yhdessä pölypussin tai paperipussin kanssa sovittamalla ne täysin paikalleen kiinnitysuran.
- Älä käytä rikkinäistä tai viallista pussia.

Muussa tapauksessa seurauksena voi olla moottorivaurio.

**HUOMAUTUS:** Älä taita pahvia sen avauskohdasta paperipussin kiinnityksen aikana.

**HUOMAUTUS:** Älä heitä pölytiivistettä pois sillä sitä tulee käyttää, kun käytössä on pölypussi tai paperipussi.

**HUOMAUTUS:** Pölynimurin paperipussi on tärkeä osa imurin suorituskyvyn säilyttämisen kannalta. Muu kuin alkuperäinen paperipussi voi savuta tai sytyttää tuleen.

## Pölypussin kiinnitys

Käytä pölytiivistettä, kun asennat pölypussin. Varmista, että pölytiiviste tulee oikeinpäin, sillä sen ylä- ja alareunat ovat erilaisia.

► **Kuva11:** 1. Pölytiivisteen yläreuna 2. Pölytiivisteen alareuna

1. Aseta pölypussin uloke pölytiivisteessä olevaan uraan kuvan mukaisesti.

► **Kuva12:** 1. Pölytiiviste 2. Ura 3. Pölypussi

2. Pölypussin ylä- ja alareunat ovat samanlaiset. Paperipussin voi asettaa pölytiivisteen alauraan molemmissa asennoissa.

► **Kuva13:** 1. Alaura

3. Taita pölytiivisteen kehys pölypussin kehysten päälle.

► **Kuva14**

4. Aseta pölytiiviste yhdessä pölypussin kanssa imurin säiliöön pölytiivisteessä olevan nuolen osoittamassa suunnassa. Aseta ne kokonaan paikalleen pölynimurin säiliön uraan.

► **Kuva15:** 1. Pölynimurin säiliö

5. Aseta pölypussin kankainen pussi kokonaan imurin sisään.

► **Kuva16**

6. Sulje etukansi kokonaan.

► **Kuva17:** 1. Etukansi

## Paperipussin kiinnitys

Käytä pölytiivistettä myös paperipussin kanssa. Varmista, että pölytiiviste tulee oikeinpäin, sillä sen ylä- ja alareunat ovat erilaisia.

► **Kuva18:** 1. Pölytiivisteen yläreuna 2. Pölytiivisteen alareuna

1. Avaa paperipussin suuaukko, ennen kuin kiinnität sen pölytiivisteeseen.

► **Kuva19**

2. Aseta pölypussin uloke pölytiivisteessä olevaan uraan kuvan mukaisesti.

► **Kuva20:** 1. Pölytiiviste 2. Ura 3. Paperipussi

3. Paperipussin ylä- ja alareunat ovat samanlaiset. Paperipussin voi asettaa pölytiivisteen alauraan molemmissa asennoissa.

► **Kuva21:** 1. Alaura

4. Taita pölytiivisteen kehys pölypussin kehykseen.

► **Kuva22**

5. Aseta pölytiiviste yhdessä paperisuodattimen kanssa imurin säiliöön pölytiivisteessä olevan nuolen osoittamassa suunnassa. Aseta ne kokonaan paikalleen pölynimurin säiliön uraan.

► **Kuva23**

6. Aseta paperipussi kokonaan imurin sisään.

► **Kuva24**

7. Sulje etukansi kokonaan.

## TYÖSKENTELY

Liitä lisävarusteet, kuten suutin kiertämällä ja liittämällä lisävaruste luotettavasti paikalleen. Lisävaruste irrotetaan kiertämällä ja vetämällä.

► **Kuva25**

## Puhdistus (Imurointi)

### Suutin

Kiinnitä suutin, kun imuroit pöytiä, tasoja, huonekaluja tms. Suutin liikuu helposti.

► **Kuva26:** 1. Suutin

### Suutin + jatkovarsi (suora putki)

Jatkovarsi asetetaan suuttimen ja imurin väliin.

Jatkovarsi on käytännöllinen lattioiden imuroinnissa seisten.

► **Kuva27:** 1. Imurin runko 2. Jatkovarsi 3. Suutin

### Kulmasuutin

Kulmasuuttimen avulla voit imuroida nurkat ja ahtaat paikat autoissa ja huonekaluissa.

► **Kuva28:** 1. Kulmasuutin 2. Imurin runko

### Kulmasuutin + jatkovarsi (suora putki)

Käytä tätä kokoonpanoa, jos imuri ei muutoin mahdu kohteeseen tai jos imuroit korkealta.

► **Kuva29:** 1. Kulmasuutin 2. Jatkovarsi 3. Imurin runko

## Siivous ilman suutinta

Jauhoa ja pölyä voi imuroida myös ilman suutinta.

► **Kuva30**

## KUNNOSSAPITO

**⚠HUOMIO:** Varmista aina ennen tarkastusta tai huoltoa, että työkalu on sammutettu ja akku irrotettu.

**HUOMAUTUS:** Älä koskaan käytä bensiiniä, ohenteita, alkoholia tai tms. aineita. Muutoin pinta voi halkeilla tai sen värit ja muoto voivat muuttua. Muutoin laitteeseen voi tulla värjäytymiä, muodon vääristymiä tai halkeamia.

## Käytön jälkeen

**HUOMAUTUS:** Jos imuri asetetaan seinää vasten ilman tukea, se voi kaatua ja rikkoutua.

► **Kuva31**

## Puhdistus

Pyyhi ajoittain imurin ulkopuoli (laitetekelo) pesuainevedellä kostutetulla liinalla.

Puhdista myös imuaukko, pölypussin/paperipussin kiinnitysalue sekä pölytiiviste.

► **Kuva32**

Pese pölystä tukkeutunut suodatin saippuavedessä jos imurin imuteho on sen vuoksi heikentynyt. Kuivaa suodatin läpikotaisin ennen käyttöä. Jos suodatin ei ole kuiva, se voi heikentää laitteen imutehoa ja lyhentää moottorin käyttöikää.

► **Kuva33**

**HUOMAA:** Paperipussit ovat kertakäyttöisiä.

Kun suodatin on tukossa pölystä, irrota se imurista ja pyyhi se puhtaaksi tai pese se vedellä.

## Suodattimen irrottaminen ja kiinnittäminen

**▲HUOMIO:** Asenna suodatin puhdistuksen jälkeen takaisin imuriin. Anna suodattimen kuivua vesipesun jälkeen, ennen kuin asennat sen takaisin. Jos suodatin ei ole kuiva, se voi lyhentää moottorin käyttöikää.

Irrota suodatin, irrottamalla ensin pölypussi tai paperipussi ja irrota suodatin sitten puristusotteella.

► **Kuva34:** 1. Sienisuodatin

Paina suodattimen reuna koko matkaltaan pölypussin/paperipussin asennuspaikan sisäseinää vasten.

► **Kuva35:** 1. Sisäseinä

## Vianmääritys

Tarkasta seuraavat kohdat ennen korjauspyyntöä.

Oire	Tarkastettava kohta	Kiinnitystapa
Heikko imuteho	Onko pölypussi tai paperipussi täynnä pölyä?	Tyhjennä pölypussi tai paperipussi.
	Onko pölypussi tukossa?	Tyhjennä pöly tai pese pölypussi.
	Onko paperipussi tukossa?	Vaihda paperipussi.
	Onko akun varaus loppunut?	Lataa akku.
Ei toimintaa	Onko akun varaus loppunut?	Lataa akku.

**HUOMAA:** Älä yritä itse korjata imuria.

Tuotteen TURVALLISUUDEN ja LUOTETTAVUUDEN takaamiseksi korjaukset, muut huoltotyöt ja säädöt on teetettävä Makitan valtuutetussa huoltopisteessä Makitan varaosia käyttäen.

## LISÄVARUSTEET

**▲HUOMIO:** Seuraavia lisävarusteita tai laitteita suositellaan käytettäväksi tässä ohjeessa kuvatun Makita-työkalun kanssa. Muiden lisävarusteiden tai laitteiden käyttö voi aiheuttaa henkilövahinkoja. Käytä lisävarusteita ja -laitteita vain niiden käyttötarkoituksen mukaisesti.

Jos tarvitset apua tai yksityiskohtaisempia tietoja seuraavista lisävarusteista, ota yhteys paikalliseen Makitan huoltoon.

- Jatkovarsi (suora putki)
- Suutin
- Mattosuutin
- Hyllyharja
- Kulmasuutin
- Pyöreä harja
- Joustava letku
- Paperipussi
- Aito Makitan akku ja laturi

**HUOMAA:** Jotkin luettelossa mainitut varusteet voivat sisältyä työkalun toimitukseen vakiovarusteina. Ne voivat vaihdella maittain.

## BRĪDINĀJUMS

Šo ierīci drīkst izmantot bērni no 8 gadu vecuma un personas ar samazinātām fiziskām, sensoriskām vai psihiskām spējām, vai kam trūkst pieredzes un zināšanu, ja tām nodrošināta uzraudzība un sniegti norādījumi par ierīces drošu izmantošanu un ja ir izprasti saistītie apdraudējumi. Bērni nedrīkst spēlēt ar ierīci. Ierīces tīrīšanu un apkopi nedrīkst veikt bērni bez uzraudzības.

## SPECIFIKĀCIJAS

<b>Modelis:</b>		<b>CL107FD</b>	
Tilpums	ar putekļu maisu	500 mL	
	ar papīra filtru	330 mL	
Nepārtraukta lietošana (ar akumulatoru BL1016)	1 (parasta ātruma režīms)	Apm. 25 min	
	2 (liela darbības ātruma režīms)	Apm. 12 min	
	3 (maks. darbības ātruma režīms)	Apm. 10 min	
Kopējais garums		960 mm	
Nominālais spriegums		10,8 V - 12 V maks. līdžstrāva	
Akumulatora kasetne		BL1015, BL1016, BL1020B, BL1021B	BL1040B, BL1041B
Tīrsvars		1,1 kg	1,3 kg

- Nepārtrauktās izpētes un izstrādes programmas dēļ šeit uzrādītās specifikācijas var tikt mainītas bez brīdinājuma.
- Specifikācijas un akumulatora kasetne var atšķirties dažādās valstīs.
- Svārs ar akumulatora kasetni saskaņā ar EPTA-Procedure 01/2003

## Simboli

Zemāk ir attēloti simboli, kas attiecas uz iekārtu. Pirms darbarīka izmantošanas pārliecinieties, vai pareizi izprotat to nozīmi.



Izlasiet lietošanas rokasgrāmatu.



Tikai ES valstīs  
Elektroierīces vai akumulatora bloku neizmetiet mājtsaimniecības atkritumos!  
Saskaņā ar Eiropas direktīvām par nolieta-  
tām elektriskām un elektroniskām iekārtām,  
kā arī par baterijām un akumulatoriem,  
nolietotām baterijām un akumulatoriem un  
šo direktīvu ieviešanu saskaņā ar valsts  
likumdošanu, elektriskās iekārtas, baterijas  
un akumulatori, to darbūžam beidzoties,  
jāsavāc atsevišķi un jānogādā vidi saudzē-  
jošā otrreizējās pārstrādes uzņēmumā.

## Paredzētā lietošana

Šis darbarīks ir paredzēts sausu putekļu savākšanai.

## DROŠĪBAS BRĪDINĀJUMI

### Drošības brīdinājumi attiecībā uz bezvadu tīrītāju

**▲BRĪDINĀJUMS: SVARĪGI! PIRMS LIETOŠANAS UZMANĪGI IZLASIET** visus drošības brīdinājumus un visus norādījumus. Brīdinājumu un norādījumu neievērošanas gadījumā var rasties elektrotrauma, aizdegšanās un/vai smagas traumas.

1. Neatstājiet lietū. Uzglabājiet telpās.
2. Neļaujiet izmantot kā rotaļlietu. Īpaša uzmanība jāpievērš, kad darbarīku izmanto bērni vai tas tiek izmantots bērnu tuvumā.
3. Izmantojiet tikai tā, kā norādīts šajā rokasgrāmatā. Lietojiet tikai darbarīka ražotāja ieteiktās papildierīces.
4. Neizmantojiet ar bojātu akumulatoru. Ja ierīce nedarbojas, kā paredzēts, tikusi nomesta, ir bojāta, atstāta ārpus telpām vai iemesta ūdenī, nogādājiet to apkopes centrā.
5. Nelietojiet ierīci ar mitrām rokām.

6. Neievietojiet tās atverēs priekšmetus. Nelietojiet ierīci, ja nosprostota kāda no atverēm — tajās nedrīkst būt putekļu, plūksnu, matu un citu svešķermeņu, kas var ierobežot gaisa plūsmu.
7. Netuviniet matus, valģu apģērbu, pirkstus un ķermeņa daļas atverēm un kustīgajām daļām.
8. Pirms akumulatora izņemšanas izslēdziet visas vadības ierīces.
9. Īpaši uzmanieties, tīrot uz kāpnēm.
10. Neizmantojiet viegli uzliesmojošu vai ugunsnedrošu šķidrums, piemēram, benzīna savākšanai, kā arī nelietojiet ierīci vietās, kur šādi šķidrums var būt.
11. Uzlādei izmantojiet tikai ražotāja nodrošināto lādētāju.
12. Neizmantojiet degošu vai dūmojošu priekšmetu, piemēram, cigarešu, sērkokciņu vai karstu pelnu savākšanai.
13. Nelietojiet ierīci, ja nav uzstādīts putekļu maiss un/vai filtri.
14. Nelādējiet akumulatoru ārpus telpām.
15. Uzlādei izmantojiet tikai ražotāja norādītos lādētājus. Vienam akumulatoru tipam paredzēta lādētāja izmantošana cita tipa akumulatoru uzlādei var radīt aizdegšanās draudus.
16. Mehānizētos darbarīkus izmantojiet tikai ar paredzētajiem akumulatoriem. Cita tipa akumulatoru izmantošana var radīt traumu un aizdegšanās bīstamību.
17. Ja akumulatora bloku neizmantojat, novietojiet to drošā attālumā no metāla priekšmetiem, piemēram, saspraudēm, monētām, atslēgām, naglām, skrūvēm un citiem nelieliem metāla priekšmetiem, kas var savienot spailes.
18. Nepareizas lietošanas gadījumā no akumulatora var iztecēt šķidrums; nepieskarieties tam. Ja jaunausi pieskārties šķidrumam, skarto vietu noskalojiet ar ūdeni.

## SAGLABĀJIET ŠOS NORĀDĪJUMUS.

### PAPILDU DROŠĪBAS NOTEIKUMI

Šī ierīce ir paredzēta lietošanai mājāsaimniecībā.

1. Pirms lietošanas rūpīgi izlasiet šo rokasgrāmatu un lādētāja rokasgrāmatu.
2. Nevāciet šeit nosauktos materiālus.
  - Karstus priekšmetus, piemēram, aizdegta cigaretes vai dzirksteles/metāla putekļus, kas radušies metāla slīpēšanas/zāģēšanas laikā.
  - Ugunsnedrošas vielas, piemēram, benzīnu, šķīdinātāju, petroleju vai krāsu.
  - Sprādzienbīstamas vielas, piemēram, nitroglicerīnu.
  - Uzliesmojošus materiālus, piemēram, alumīniju, cinku, magniju, titānu, fosforu vai celuloīdu.
  - Mitrus netīrumus, ūdeni, eļļu vai līdzīgas vielas.

Cietus priekšmetus ar asām malām, piemēram, koka skaidas, metāla gabalus, akmeņus, stiklu, naglas, saspraudes vai žiletas.

- Pulveri, kas sacietē, piemēram, cementu vai toneri.
- Vadītspējīgus putekļus, piemēram, metāla vai oglekļa putekļus.
- Sīkas daļiņas, piemēram, betona putekļus.

Šāda rīcība var izraisīt aizdegšanos, traumas un/vai materiālos zaudējumus.

3. Nekavējoties pārtrauciet darbu, ja ievērojāt novirzes no normas.
4. Ja tīrītāju nometat vai tas citādi saņem triecienu, pirms tā darbināšanas rūpīgi pārbaudiet, vai tīrītājam nav plaisu vai bojājumu.
5. Nelietojiet to krāsns vai citu karstuma avotu tuvumā.
6. Nenobloķējiet ieplūdes atveri un ventilācijas atveres.

## SAGLABĀJIET ŠOS NORĀDĪJUMUS.

### Svarīgi drošības norādījumi par akumulatora kasetni

1. Pirms akumulatora lietošanas izlasiet visus norādījumus un brīdinājumus, kuri attiecas uz (1) akumulatora lādētāju, (2) akumulatoru un (3) ierīci, kurā tiek izmantots akumulators.
  2. Neizjauciet akumulatoru.
  3. Ja akumulatora darbības laiks kļūva ievērojami īsāks, nekavējoties pārtrauciet to izmantot. Citādi, tas var izraisīt pārkaršējumu, uzliesmojumu vai pat sprādzienu.
  4. Ja elektrolīts nonāk acīs, izskalojiet tās ar tīru ūdeni un nekavējoties griezieties pie ārsta. Tas var izraisīt redzes zaudēšanu.
  5. Neradiet īssavienojumu akumulatora kasetnē:
    - (1) Nepieskarieties spailēm ar elektrību vadošiem materiāliem.
    - (2) Neuzglabājiēt akumulatoru kasetni kopā ar citiem metāla priekšmetiem, tādiem kā naglas, monētas u. c.
    - (3) Nepakļaujiet akumulatora kasetni ūdens vai lietus iedarbībai.
- Akumulatora īssavienojums var radīt spēcīgu strāvas plūsmu, pārkaršanu, uzliesmojumu un pat sabojāt akumulatoru.
6. Neglabājiēt darbarīku un akumulatora kasetni vietās, kur temperatūra var sasniegt vai pārsniegt 50 °C (122 °F).
  7. Nededziniēt akumulatora kasetni, pat ja tā ir stipri bojāta vai pilnībā nolietota. Akumulatora kasetne ugunī var eksplodēt.
  8. Uzmanieties, lai neļautu akumulatoram nokrist un nepakļautu to sitenam.
  9. Neizmantojiēt bojātu akumulatoru.



10. **Uz izmantotajiem litija jonu akumulatoriem attiecas likumdošanas prasības par bīstamiem izstrādājumiem.**  
Komerציālā transportēšanā, ko veic, piemēram, trešās puses, transporta uzņēmumi, jāievēro uz iesaiņojuma un marķējuma norādītās īpašās prasības.  
Lai izstrādājumu sagatavotu nosūtīšanai, jāsažinās ar bīstamo materiālu speciālistu. Ievērojiet arī citus attiecināmos valsts normatīvus.  
Valējus kontaktus nosedziet ar līmlenti vai citādi pārklājiet, bet akumulatoru iesaiņojiet tā, lai sainītas nevarētu izkustēties.
11. **Ievērojiet vietējos noteikumus par akumulatora likvidēšanu.**
12. **Izmantojiet šos akumulatorus tikai ar izstrādājumiem, kurus norādījis Makita.** Ievietojot šos akumulatorus nesaderīgos izstrādājumos, var rasties ugunsgrēks, pārmērīgs karstums, tie var uzsprāgt vai no tiem var izteciēt elektrolīts.

## SAGLABĀJIET ŠOS NORĀDĪJUMUS.

**⚠UZMANĪBU:** Lietojiet tikai oriģinālos Makita akumulatorus. Ja lietojat neoriģinālus Makita akumulatorus vai pārveidotus akumulatorus, tie var uzsprāgt un izraisīt aizdegšanos, traumas un materiālos zaudējumus. Tiks anulēta arī Makita darbarīka un lādētāja garantija.

## Ieteikumi akumulatora kalpošanas laika pagarināšanai

1. **Uzlādējiet akumulatora kasetni, pirms tā ir pilnībā uzlādējusies.** Vienmēr, kad ievērojat, ka darbarīka darba jauda zudusi, apturiet darbarīku un uzlādējiet akumulatora kasetni.
2. **Nekad neuzlādējiet pilnībā uzlādētu akumulatora kasetni.** Pārmērīga uzlāde saīsina akumulatora kalpošanas laiku.
3. **Uzlādējiet akumulatora kasetni istabas temperatūrā 10 °C - 40 °C.** Karstai akumulatora kasetnei pirms uzlādes ļaujiet atdzist.

## FUNKCIJU APRAKSTS

**⚠UZMANĪBU:** Pirms darbarīka regulēšanas vai tā darbības pārbaudes vienmēr pārliecinieties, ka darbarīks ir izslēgts un akumulatora kasetne ir izņemta.

**⚠UZMANĪBU:** Uzmanieties, lai, ievietojot akumulatoru, pirksts(-i) nenokļūtu starp tīrītāju un akumulatoru, kā parādīts attēlā. Iespēstus pirkstus var traumēt.

► Att.1

## Akumulatora kasetnes uzstādīšana un izņemšana

**⚠UZMANĪBU:** Vienmēr pirms akumulatora kasetnes uzstādīšanas vai noņemšanas izslēdziet darbarīku.

**⚠UZMANĪBU:** Uzstādot vai izņemot akumulatora kasetni, darbarīku un akumulatora kasetni turiet cieši. Ja darbarīku un akumulatora kasetni netur cieši, tie var izkrist no rokām un radīt bojājumus darbarīkam un akumulatora kasetnei, kā arī izraisīt ievainojumus.

► Att.2: 1. Sarkanās krāsas indikators 2. Poga 3. Akumulatora kasetne

Lai izņemtu akumulatora kasetni, izvelciet to no darbarīka, pārbīdot kasetnes priekšpusē esošo pogu.

Lai uzstādītu akumulatora kasetni, salāgojiet mēlīti uz akumulatora kasetnes ar rievu ietvarā un iebīdīet to vietā. Ievietojiet to līdz galam, līdz tā ar klikšķi nokļūst vietā. Ja pogas augšējā daļā redzams sarkanās krāsas indikators, tas nozīmē, ka tā nav pilnīgi fiksēta.

**⚠UZMANĪBU:** Vienmēr ievietojiet akumulatora kasetni tā, lai sarkanais indikators nebūtu redzams. Pretēja gadījumā tā var nejauši izkrist no darbarīka un izraisīt jums vai apkārtējiem traumas.

**⚠UZMANĪBU:** Neievietojiet akumulatora kasetni ar spēku. Ja kasetne neslīd ietvarā viegli, tā nav pareizi ielikta.

## Akumulatora aizsardzības sistēma

Darbarīks ir aprīkots ar akumulatora aizsardzības sistēmu. Šī sistēma automātiski izslēdz jaudas padevi motoram, lai pagarinātu akumulatora kalpošanas laiku. Darbarīks automātiski pārstās darboties ekspluatācijas laikā, ja darbarīku un/vai akumulatoru pakļaus kādam no tālāk minētajiem apstākļiem:

### Pārslodze:

Darbarīku ekspluatācijas laikā lieto tādā veidā, ka tas saista pārmērīgu strāvu.

Šādā gadījumā izslēdziet darbarīku un pārtrauciet darbarīka pārslodzi izraisījušo darbu. Tad ieslēdziet darbarīku, lai atsāktu darbu.

### Zema akumulatora jauda:

Akumulatora uzlādes līmenis ir pārāk zems, un darbarīks nedarbosies. Ja ieslēgsit darbarīku, motors vēlreiz sāks darboties, taču drīz apstāsies. Šādā gadījumā noņemiet akumulatoru un uzlādējiet.

## Atlikušās akumulatora jaudas indikators

*Tikai akumulatora kasetnēm ar indikatoru*

► **Att.3:** 1. Indikatora lampas 2. Pārbaudes poga

Nospiediet akumulatora kasetnes pārbaudes pogu, lai pārbaudītu akumulatora atlikušo uzlādes līmeni. Indikatoru iedegsies uz dažām sekundēm.

Indikatora lampas		Atlikusī jauda
Iededzies	Izslēgts	
		No 75% līdz 100%
		No 50% līdz 75%
		No 25% līdz 50%
		No 0% līdz 25%

**PIEZĪME:** Reālā jauda var nedaudz atšķirties no norādītās atkarībā no lietošanas apstākļiem un apkārtējās temperatūras.

## Slēdža darbība

► **Att.4:** 1. Ieslēgšanas/ātruma maiņas poga  
2. Izslēgšanas poga

Lai ieslēgtu tīrītāju, nospiediet ieslēgšanas/ātruma maiņas pogu. Lai izslēgtu tīrītāju, nospiediet izslēgšanas pogu.

Tīrītāja darbības ātrumu var mainīt trīs režīmos, nospiežot ieslēgšanas/ātruma maiņas pogu.

Pirmā šīs pogas nospiešana iestata liela ātruma režīmu, otrā — maks. darbības ātruma režīmu, bet, nospiežot šo pogu trešo reizi, tiks iestatīts parastās darbības režīms. Katra šīs pogas nospiešana pārslēdz liela/maks./parasta ātruma režīmu norādītajā secībā.

## Lampas ieslēgšana

**UZMANĪBU:** Neskatieties gaismā, neļaujiet tās avotam iespīdēt acīs.

► **Att.5:** 1. Ieslēgšanas/ātruma maiņas poga  
2. Izslēgšanas poga 3. Lampa

Lai ieslēgtu lampu, nospiediet ieslēgšanas/ātruma maiņas pogu. Nospiediet izslēgšanas pogu, lai izslēgtu lampu. Ieslēdzot darbarīku, ieslēdzas arī lampa.

Kad akumulatorā ir atlicis maz enerģijas, lampa sāk mirgot.

**PIEZĪME:** Laiks, kad tieši lampa sāk mirgot, ir atkarīgs no temperatūras darba vietā un akumulatora kasetnes stāvokļa.

## MONTĀŽA

**UZMANĪBU:** Pirms darbarīka regulēšanas vai apkopes vienmēr pārlicinieties, ka darbarīks ir izslēgts un akumulatora kasetne ir izņemta.

## Atbrīvošanās no putekļiem

**UZMANĪBU:** Tīrītāju iztukšojiet pirms tā pārplīdes, jo vājinās iesūkšana.

**UZMANĪBU:** No putekļiem noteikti iztīriet arī tīrītāja iekšpusi. Ja to neizdara, var aizsērēt filtrs vai sabojāties motors.

**UZMANĪBU:** Nekādā gadījumā neizmetiet putekļu aizturi, jo tas jāizmanto vienmēr, kad tiek lietots putekļu maiss vai papīra filtrs.

**UZMANĪBU:** Aizverot priekšējo pārsegu, neiespiediet pirkstus.

1. Nospiediet pogu, lai atvērtu priekšējo pārsegu. Atveriet to, līdz atskan klikšķis — šajā stāvoklī tiek nodrošināta fiksēta aizture.

► **Att.6:** 1. Priekšējais pārsegs 2. Poga

2. Vienlaikus izvelciet gan oranžo putekļu aizturi, gan putekļu maisu.

► **Att.7:** 1. Putekļu aizturi

3. Noņemiet putekļu aizturi un iztukšojiet tīrītāju.

► **Att.8:** 1. Putekļu aizturi

► **Att.9**

**PIEZĪME:** Tīrītājs konstruēts tā, lai priekšējais pārsegs atdalītos, ja to mēģina ar spēku atvērt leņķī, kas lielāks par 90°. Ja priekšējais pārsegs atdalās, ievietojiet to atpakaļ priekšējā pārsega savienojumā.

► **Att.10:** 1. Priekšējais pārsegs 2. Priekšējā pārsega savienojums

## Putekļu maiss un papīra filtrs

Pirms tīrītāja lietošanas uzstādiet putekļu maisu vai papīra filtru.

Kad uzstādāt putekļu maisu vai papīra filtru, izmantojiet putekļu aizturi.

Putekļu maisu pēc iztīrīšanas var izmantot atkārtoti.

Papīra filtrs ir vienreiz lietojams. Kad papīra filtrs ir pilns, izmetiet to neiztukšotu.

**IEVĒRĪBAI:** Lai putekļi neiekļūtu motorā, rīkojieties pēc šiem norādījumiem.

- Pirms lietošanas pārliecinieties, ka ir uzstādīts putekļu maiss vai papīra filtrs.
- Uzstādot putekļu aizturi kopā ar putekļu maisu vai papīra filtru, atverēs to ievietojiet līdz galam.
- Nelietojiet bojātu vai saplēstu filtra maisu.

Lietojot bojātu maisu, var sabojāt motoru.

**IEVĒRĪBAI:** Uzstādot papīra filtru, nesalokiet kartonu pie tā atveres.

**IEVĒRĪBAI:** Neizmētiēt putekļu aizturi, jo tas jāizmanto vienmēr, kad tiek lietots putekļu maiss vai papīra filtrs.

**IEVĒRĪBAI:** Papīra filtrs ir svarīga tīrītāja sastāvdaļa, kas nepieciešama darbarīka veikspējai. Ja izmantosit neoriģinālo papīra filtru, ierīce var dūmot vai aizdegties.

## Putekļu maisa uzstādīšana

Uzstādot putekļu maisu, izmantojiet putekļu aizturi. Uzmanieties, lai kļūdas dēļ nesajauktu apakšpusi ar augšpusi, jo tās atšķiras viena no otras.

► **Att.11:** 1. Putekļu aiztura augšpuse 2. Putekļu aiztura apakšpuse

1. Putekļu maisa izvirkājumu ievietojiet putekļu aiztura rievā, kā parādīts attēlā.  
► **Att.12:** 1. Putekļu aizturis 2. Rieva 3. Putekļu maiss
2. Putekļu maisa apakšējā un augšējā daļa ir iden-tiska. Šo izvirkājumu putekļu aiztura apakšējā rievā varat ievietot no jebkuras puses.  
► **Att.13:** 1. Apakšējā rievā
3. Pāri putekļu aiztura ietvaram uzlieciet putekļu maisa ietvaru.  
► **Att.14**
4. Putekļu aizturi ar putekļu maisu tīrītāja nodalījumā ielieciet tādā pašā bultiņas virzienā, kāds norādīts uz putekļu aiztura. Šīs detaļas līdz galam ievietojiet tīrītāja nodalījuma atverēs.  
► **Att.15:** 1. Tīrītāja nodalījums
5. Visu putekļu maisa auduma daļu ievietojiet tīrītājā.  
► **Att.16**
6. Pilnībā aizveriet priekšējo pārsegu.  
► **Att.17:** 1. Priekšējais pārsegs

## Papīra filtra uzstādīšana

Putekļu aizturi izmantojiet arī tad, kad liekat papīra filtru. Uzmanieties, lai kļūdas dēļ nesajauktu apakšpusi ar augšpusi, jo tās atšķiras viena no otras.

► **Att.18:** 1. Putekļu aiztura augšpuse 2. Putekļu aiztura apakšpuse

1. Pirms papīra filtra uzstādīšanas uz putekļu aiztura atveriet papīra filtra ieeju.  
► **Att.19**
2. Papīra filtra izvirkājumu ievietojiet putekļu aiztura rievā, kā parādīts attēlā.  
► **Att.20:** 1. Putekļu aizturis 2. Rieva 3. Papīra filtrs

3. Papīra filtra apakšējā un augšējā daļa ir iden-tiskas. Šo izvirkājumu putekļu aiztura apakšējā rievā iespējams ievietot no jebkuras puses.  
► **Att.21:** 1. Apakšējā rievā

4. Putekļu aiztura ietvaru uzlieciet pāri papīra filtra ietvaram.  
► **Att.22**

5. Putekļu aizturi ar papīra filtru tīrītāja nodalījumā ielieciet tādā pašā bultiņas virzienā, kāds norādīts uz putekļu aiztura. Šīs detaļas līdz galam ievietojiet tīrītāja nodalījuma atverēs.  
► **Att.23**

6. Visu papīra filtra maisa daļu ievietojiet pašā ierīcē.  
► **Att.24**

7. Pilnībā aizveriet priekšējo pārsegu.

## EKSPLUATĀCIJA

Lai pievienotu papildaprīkojumu, piemēram, uzgali, pagrieziet to un stingri nostipriniet. Lai atvienotu papildaprīkojumu, pagrieziet un izņemiet to.

► **Att.25**

## Tīrīšana (iesūkšana)

### Uzgalis

Piestipriniet uzgali, lai notīrītu galdus, solus, mēbeles u. c. Uzgali piestiprināt ir vienkārši.

► **Att.26:** 1. Uzgalis

### Uzgalis un pagarinājuma caurule (taisna caurule)

Pagarinājuma caurule iestiprināma starp uzgali un tīrītāju. Šis izkārtojums ir ērts grīdas tīrīšanai stāvus pozīcijā.

► **Att.27:** 1. Tīrītāja korpus 2. Pagarinājuma caurule 3. Uzgalis

### Stūru uzgalis

Stūru uzgali izmantojiet stūru un automobija vai mēbeļu iedobumu tīrīšanai.

► **Att.28:** 1. Stūru uzgalis 2. Tīrītāja korpus

### Stūru uzgalis un pagarinājuma caurule (taisna caurule)

Izmantojiet šo konfigurāciju, lai iztīrītu stūrus, kur nav iespējams piekļūt ar tīrītāju, vai augstas, grūti aizsniedzamas vietas.

► **Att.29:** 1. Stūru uzgalis 2. Pagarinājuma caurule 3. Tīrītāja korpus

### Tīrīšana bez uzgaļa

Pulveri un putekļus var savākt bez uzgaļa.

► **Att.30**

## APKOPE

**⚠ UZMANĪBU:** Pirms darbarīka pārbaudes vai apkopes vienmēr pārlicinieties, ka darbarīks ir izslēgts un akumulatora kasetne ir izņemta.

**IEVĒRĪBAI:** Nekad neizmantojiet gazolinu, benzīnu, atšķaidītāju, spirtu vai līdzīgus šķidrums. Tas var radīt izbalēšanu, deformāciju vai plaisas.

### Pēc lietošanas

**IEVĒRĪBAI:** Ja tīrītāju novieto pie sienas bez papildu balsta, tīrītājs var nokrist un tikt bojāts.

► Att.31

### Tīrīšana

Tīrītāja ārpusi (korpusu) ik pa laikam notīriet ar ziepju ūdeni samitrinātā drānā.

Iztīriet arī iesūces atveri, putekļu maisa/papīra filtra stiprinājuma vietu un putekļu auzturi.

► Att.32

## Kļūmju novēršana

Pirms vienoties par ierīces remontu, izvērtējiet šādas iespējas.

Pazīme	Pārbaudāmā daļa	Risinājums
Maza iesūces jauda	Vai putekļu maisis vai papīra filtrs nav pilns ar putekļiem?	Iztukšojiet putekļu maisu vai papīra filtru.
	Vai putekļu maisis nav aizsērējis?	Putekļu maisu attīriet no putekļiem vai izmazgājiet.
	Vai papīra filtrs nav aizsērējis?	Nomainiet papīra filtru.
	Vai nav izlādējies akumulators?	Uzlādējiet akumulatora kasetni.
Nedarbojas	Vai nav izlādējies akumulators?	Uzlādējiet akumulatora kasetni.

**PIEZĪME:** Nemēģiniet patstāvīgi remontēt tīrītāju.

Lai saglabātu izstrādājuma DROŠU un UZTICAMU darbību, remontdarbus, apkopi un regulēšanu uzticiet veikt tikai Makita pilnvarotam vai rūpnīcas apkopes centram, un vienmēr izmantojiet tikai Makita rezerves daļas.

## PAPILDU PIEDERUMI

**⚠ UZMANĪBU:** Šādi piederumi un papildierīces tiek ieteiktas lietošanai ar šajā rokasgrāmatā aprakstīto Makita darbarīku. Izmantojot citus piederumus vai papildierīces, var tikt radīta trauma gūšanas bīstamība. Piederumu vai papildierīci izmantojiet tikai paredzētajam mērķim.

Ja jums vajadzīga palīdzība vai precīzāka informācija par šiem piederumiem, vērsieties savā tuvākajā Makita apkopes centrā.

- Pagarinājuma caurule (taisna caurule)
- Uzgalis
- Uzgalis paklājam
- Plauktu suka
- Stūru uzgalis
- Apaļā suka

izmazgājiet filtru ziepjūdenī, kad tas ir aizsērējis ar putekļiem un tīrītāja jauda samazinās. Pirms lietošanas rūpīgi nosusiniet. Nepietiekami nosusināts filtrs var pasliktināt iesūci un saīsināt motora darbību.

► Att.33

**PIEZĪME:** Papīra filtrs ir vienreiz lietojams.

Ja sūkļa filtrs ir aizsērējis ar putekļiem, izņemiet to no tīrītāja un izslaukiet vai izmazgājiet ūdenī.

## Sūkļa filtra izņemšana un uzstādīšana

**⚠ UZMANĪBU:** Pēc sūkļa filtra iztīrīšanas neaizmirstiet to ievietot tīrītājā. Ja filtru mazgājat ūdenī, pirms ievietošanas nosusiniet to. Ja sūkļa filtrs nav pietiekami sauss, var saīsināties motora darbību.

Lai izņemtu sūkļa filtru, izņemiet putekļu maisu vai papīra filtru, tad saspiediet to un izņemiet.

► Att.34: 1. Sūkļa filtrs

Visu sūkļa filtra malu piespiediet pret iedzilnāto sienu putekļu maisa/papīra filtra stiprinājuma vietā.

► Att.35: 1. Iedzilnātā siena

- Lokanā šļūtene
- Papīra filtrs
- Makita oriģinālais akumulators un lādētājs

**PIEZĪME:** Daži sarakstā norādītie izstrādājumi var būt iekļauti instrumenta komplektācijā kā standarta piederumi. Tie dažādās valstīs var būt atšķirīgi.

## ĮSPĖJIMAS

Šį prietaisą leidžiama naudoti vaikams nuo 8 metų amžiaus ir asmenims, turintiems psichinių, jutiminių ar protinių negalių, arba žmonėms, neturintiems patirties bei žinių, su sąlyga, kad jie bus prižiūrimi arba instruojami apie tai, kaip saugiai naudoti šį prietaisą, ir supras atitinkamus pavojus. Neleiskite vaikams žaisti su šiuo prietaisu. Be suaugusiųjų priežiūros vaikams draudžiama valyti ir techniškai prižiūrėti šį prietaisą.

## SPECIFIKACIJOS

Modelis:		CL107FD
Pajėgumas	su dulkių maišeliu	500 mL
	su popieriniu filtru	330 mL
Nepertraukiamas naudojimas (su akumuliatoriumi BL1016)	1 (įprasto greičio režimas)	Maždaug 25 min.
	2 (didelio greičio režimas)	Maždaug 12 min.
	3 (maksimalaus greičio režimas)	Maždaug 10 min.
Bendrasis ilgis	960 mm	
Vardinė įtampa	Nuolatinė srovė 10,8 V – 12 V (daugiausiai)	
Akumuliatoriaus kasetė	BL1015, BL1016, BL1020B, BL1021B	BL1040B, BL1041B
Grynasis svoris	1,1 kg	1,3 kg

- Atliktame tęsiniuose tyrimuose ir nuolat tobuliname savo gaminius, todėl čia pateikiamos specifikacijos gali būti keičiamos be įspėjimo.
- Įvairiose šalyse specifikacijos ir akumuliatoriaus kasetė gali skirtis.
- Svoris su akumuliatoriaus kasete pagal 2003-01 EPTA procedūrą

## Simboliai

Toliau yra nurodyti įrangai naudojami simboliai. Prieš naudodami įsitikinkite, ar suprantate jų reikšmę.



Perskaitykite instrukcijų vadovą.



Nurodymas tik ES šalims  
Neišmeskite elektros įrangos arba akumuliatoriaus bloko į buitinius šiukšlynus! Atsižvelgiant į ES direktyvas dėl elektros ir elektroninės įrangos atliekų, dėl baterijų ir akumuliatorių bei baterijų ir akumuliatorių atliekų ir šių direktyvų siekių įgyvendinimą pagal nacionalinius įstatymus, elektros įrangos ir baterijų bei akumuliatorių atliekas būtina surinkti atskirai nuo kitų buitinių atliekų ir atiduoti į antrinių žaliavų perdirbimo aplinkai nekenksmingu būdu punktą.

## Numatytoji naudojimo paskirtis

Šis įrankis skirtas sausoms dulkėms surinkti.

## SAUGOS ĮSPĖJIMAI

### Saugos įspėjimai dėl belaidžio siurblio naudojimo

**⚠️ ĮSPĖJIMAS: SVARBU: PRIEŠ PRADĖDAMI NAUDOTI, ATIDŽIAI PERSKAITYKITE visus saugos įspėjimus ir nurodymus.** Nesilaikydami toliau pateiktų įspėjimų ir instrukcijų, galite patirti elektros smūgį, gaisrą ir (arba) sunkų sužeidimą.

1. **Saugokite įrankį nuo lietaus. Laikykite įrankį patalpoje.**
2. **Neleiskite vaikams naudoti šį gaminį kaip žaislą. Būtina atidžiai stebėti šį gaminį naudojančius vaikus arba jį naudojant šalia vaikų.**
3. **Naudokite tik taip, kaip aprašyta šiame vadove. Naudokite tik gamintojo rekomenduojamus priedus.**

4. Nenaudokite su sugadintu akumuliatoriumi. Jeigu prietaisas veikia netinkamai, buvo numestas, pažeistas, paliktas lauke arba įkritęs į vandenį, atiduokite jį į techninės priežiūros centrą.
  5. Nenaudokite prietaiso, jeigu jūsų rankos drėgnos.
  6. Nekiškite jokių daiktų į angas. Nenaudokite, jeigu kuri nors anga yra užkimšta; angose neturi būti dulkių, pūkelių, plaukų ir jokių kitų daiktų, kurie galėtų sutrikdyti oro srautą.
  7. Plaukus, laisvus drabužius, pirštus ir kitas kūno dalis laikykite kuo toliau nuo angų ir judamųjų dalių.
  8. Prieš išimdami akumuliatorių, išjunkite visus valdiklius.
  9. Būkite itin atsargūs, valydami laiptus.
  10. Nenaudokite degiems arba sprogiems skysčiams, pavyzdžiui, gazolinui, surinkti ir nenaudokite tose vietose, kuriose gali būti šių medžiagų.
  11. Kraukite tik gamintojo pateiktu krovikliu.
  12. Nesiurbkite jokių degančių arba rūkstančių daiktų, pavyzdžiui, cigarečių, degtukų arba karštų pelenų.
  13. Nenaudokite neįdėję dulkių maišelio ir (arba) filtrų.
  14. Nekraukite akumuliatoriaus lauke.
  15. Įkraukite naudodami tik gamintojo nurodytą įkroviklį. Įkroviklis, kuris tinka vienam akumuliatorių tipui įkrauti, gali kelti gaisro pavojų, jei bus naudojamas su kitų tipų akumuliatoriais.
  16. Elektrinius įrankius naudokite tik su specialiai jiems skirtais akumuliatoriais. Naudojant bet kurį kitą akumuliatorių, gali kilti sužeidimo ir gaisro pavojus.
  17. Kai akumuliatorių blokas nėra naudojamas, laikykite jį toliau nuo kitų metalinių daiktų, pavyzdžiui, popieriaus sąvaržėlių, monetų, raktų, vinių, varžtų ir kitų mažų metalinių daiktų, dėl kurių gali kilti trumpasis jungimas tarp kontaktų.
  18. Netinkamai naudojant iš akumuliatoriaus gali ištekėti skysčio. Venkite sąlyčio su juo. Jei sąlytis atsitiktinai įvyko, gausiai nuplaukite vandeniu.
- Sprogių medžiagų, pavyzdžiui, nitroglicerino
  - Degių medžiagų, pavyzdžiui, aliuminio, cinko, magnio, titano, fosforo arba celiulioido
  - Šlapio purvo, vandens, alyvos, tepalo arba panašių medžiagų
  - Kietų daiktų aštriais kraštais, pavyzdžiui, medžio skiedrų, metalų, akmenų, stiklų, vinių, smeigtukų arba skutimo peiliukų
  - Miltelių, kurie gali sukietėti, pavyzdžiui, cemento arba spausdintuvų dažų
  - Laidžių dulkių, pavyzdžiui, metalo arba anglies
  - Smulkių dalelių, pavyzdžiui, betono dulkių
- Tokie veiksmai gali sukelti gaisrą, sužeisti ir (arba) padaryti žalos turtui.
3. Pastebėję ką nors neįprasto, tučtuoju nutraukite darbą.
  4. Jei numesite ar sutrenksite siurblių, prieš naudojimą atidžiai patikrinkite, ar jis neįskilo ir nesugedo.
  5. Nenaudokite įrankio arti viryklės ar kitų šilumos šaltinių.
  6. Neuzblokuokite įsiurbimo ar ventiliacijos angų.

## SAUGOKITE ŠIAS INSTRUKCIJAS.

### Svarbios saugos instrukcijos, taikomos akumuliatoriaus kasetei

1. Prieš naudodami akumuliatoriaus kasetę, perskaitykite visas instrukcijas ir perspėjimus ant (1) akumuliatorių įkroviklio, (2) akumuliatorių ir (3) akumuliatorių naudojančio gaminio.
2. Nearydinkite akumuliatoriaus kasetės.
3. Jei įrankio darbo laikas žymiai sutrumpėjo, nedelsdami nutraukite darbą su įrankiu. Tai gali kelti perkaitimo, nudegimų ar net sprogdimo pavojų.
4. Jei elektrolitas pateko į akis, plaukite jas tyru vandeniu ir nedelsdami kreipkitės į gydytoją. Gali kilti regėjimo praradimo pavojus.
5. Neuztrumpinkite akumuliatoriaus kasetės:
  - (1) Nelieskite kontaktų degiomis medžiagomis.
  - (2) Venkite laikyti akumuliatoriaus kasetę kartu su kitais metaliniais daiktais, pavyzdžiui, vinimis, monetomis ir pan.
  - (3) Saugokite akumuliatoriaus kasetę nuo vandens ir lietaus.
 Trumpasis jungimas akumuliatoriuje gali sukelti stiprią srovę, perkaitimą, galimus nudegimus ar net akumuliatoriaus gedimą.
6. Nelaikykite įrankio ir akumuliatoriaus kasetės vietoje, kur temperatūra gali pasiekti ar viršyti 50 °C.
7. Nedeginkite akumuliatoriaus kasetės, net jei yra stipriai pažeista ar visiškai susidėvėjusi. Ugnyje akumuliatoriaus kasetė gali sprogti.
8. Saugokite akumuliatorių nuo kritimo ir smūgių.

## SAUGOKITE ŠIAS INSTRUKCIJAS.

### PAPILDOMOS SAUGOS TAISYKLĖS

Šis prietaisas skirtas naudoti tik namų ūkyje.

1. Prieš naudodami įrankį pirmą kartą, įdėdami perskaitykite šias ir įkroviklio vartotojo instrukcijas.
2. Nesiurbkite šių medžiagų:
  - Karštų medžiagų, pavyzdžiui, degančių cigarečių arba kibirkščių / metalo dulkių, susidariusių šlifuojant / pjaunant metalą
  - Degių medžiagų, pavyzdžiui, gazolino, skiediklio, benzino, žibalo arba dažų

9. **Nenaudokite pažeisto akumulatoriaus.**
10. **Įdėtoms ličio jonų akumulatoriams taikomi Pavojingų prekių teisės akto reikalavimai.**  
Komeracinis transportas, pvz., trečiųjų šalių, prekių vežimo atstovų, turi laikytis specialaus reikalavimo ant pakuotės ir ženklavimo.  
Norėdami paruošti siųstiną prekę, pasitarkite su pavojingų medžiagų specialistu. Be to, laikykitės galimai išsamesnių nacionalinių reglamentų.  
Užklijuokite juosta arba padenkite atvirus kontaktus ir supakuokite akumuliatorių taip, kad ji pakuotėje nejudėtų.
11. **Vadovaukitės vietos įstatymais dėl akumuliatorių išmetimo.**
12. **Baterijas naudokite tik su „Makita“ nurodytais gaminiais.** Baterijas įdėjus į netinkamus gaminius gali kilti gaisras, gaminyje pernelyg kaisti, kilti sprogimas arba pratekėti elektrolitas.

## SAUGOKITE ŠIAS INSTRUKCIJAS.

**▲PERSPĖJIMAS:** Naudokite tik originalų „Makita“ akumuliatorių. Neoriginalaus „Makita“ arba pakeisto akumulatoriaus naudojimas gali nulemti gaisrą, asmens sužalojimą ir pažeidimą. Tai taip pat panaikina „Makita“ suteikiamą „Makita“ įrankio ir įkroviklio garantiją.

## Patarimai, ką daryti, kad akumulatorius veiktų kuo ilgiau

1. **Pakraukite akumulatoriaus kasetę prieš jai visiškai išsikraunant. Visuomet nustokite naudoti įrankį ir pakraukite akumulatoriaus kasetę, kai pastebite, kad įrankio galia sumažėjo.**
2. **Niekada nekraukite iki galo įkrautos akumulatoriaus kasetės. Perkraunant trumpėja akumulatoriaus eksploatacijos laikas.**
3. **Akumulatoriaus kasetę kraukite esant kambario temperatūrai 10 - 40 °C. Prieš pradėdami krauti, leiskite įkaitusiai akumulatoriaus kasetei atvėsti.**

## VEIKIMO APRAŠYMAS

**▲PERSPĖJIMAS:** Prieš pradėdami reguliuoti arba tikrinti įrankio veikimą, visuomet būtinai išjunkite įrankį ir išimkite akumulatoriaus kasetę.

**▲PERSPĖJIMAS:** Įkraudami akumuliatorių, būkite atsargūs, kad jūsų pirštas (-ai) neužstrigtų tarp siurblio ir akumulatoriaus, kaip parodyta paveikslėlyje. Įstrigus pirštui (-ams), galite susižeisti.

► Pav.1

## Akumulatoriaus kasetės uždėjimas ir nuėmimas

**▲PERSPĖJIMAS:** Prieš įdėdami arba išimdami akumulatoriaus kasetę, visada išjunkite įrankį.

**▲PERSPĖJIMAS:** Įdėdami arba išimdami akumulatoriaus kasetę, tvirtai laikykite įrankį ir akumulatoriaus kasetę. Jeigu įrankį ir akumulatoriaus kasetę laikysite netvirtai, jie gali išlysti iš jūsų rankų, todėl įrankis ir akumulatoriaus kasetė gali būti sugadinti, o naudotojas sužalotas.

► Pav.2: 1. Raudonas indikatorius 2. Mygtukas 3. Akumulatoriaus kasetė

Jei norite išimti akumulatoriaus kasetę, ištraukite ją iš įrankio, stumdami mygtuką, esantį kasetės priekyje.

Jei norite įdėti akumulatoriaus kasetę, sulygiuokite liežuvelį ant akumulatoriaus kasetės su grioveliu korpuso ir įstumkite į jai skirtą vietą. Įdėkite iki galo, kol spragtelėdama užsifiksuos. Jeigu matote raudoną indikatorių viršutinėje mygtuko pusėje, ji nėra visiškai užfiksuota.

**▲PERSPĖJIMAS:** Akumulatoriaus kasetę visada įkiškite iki galo, kol nebematysite raudono indikatoriaus. Priešingu atveju ji gali atsitiktinai iškristi iš įrankio, sužeisti jus arba aplinkinius.

**▲PERSPĖJIMAS:** Nekiškite akumulatoriaus kasetės jėga. Jeigu kasetė sunkiai lenda, ją kišate netinkamai.

## Akumulatoriaus apsaugos sistema

Įrankyje įrengta akumulatoriaus apsaugos sistema. Ši sistema automatiškai atjungia variklio maitinimą, kad pailgėtų akumulatoriaus naudojimo laikas. Įrankis automatiškai išsijungs darbo metu, esant vienai iš šių įrankio ir (arba) akumulatoriaus darbo sąlygų:

### Perkrautas:

Įrankis naudojamas taip, kad jame neįprastai padidėja elektros srovė.

Tokiu atveju atleiskite įrankio gaiduką ir nutraukite darbą, dėl kurio kilo įrankio perkrova. Po to vėl įjunkite įrankį.

### Žema akumulatoriaus įtampa:









Likęs akumulatoriaus įkrovos lygis per žemas, todėl įrankis neveiks. Įjungus įrankį, variklis pradeda veikti, bet netrukus vėl išsijungia. Tokiu atveju išimkite akumuliatorių ir jį įkraukite.

## Likusios akumulatoriaus galios rodymas

Tik akumulatoriaus kasetėms su indikatoriumi

► **Pav.3:** 1. Indikatorių lemputės 2. Tikrinimo mygtukas

Paspauskite akumulatoriaus kasetės tikrinimo mygtuką, kad būtų rodoma likusi akumulatoriaus energija. Maždaug trims sekundėms užsidegs indikatorių lemputės.

Indikatorių lemputės		Likusi galia
Šviečia	Nešviečia	
		75% - 100%
		50% - 75%
		25% - 50%
		0% - 25%

**PASTABA:** Rodmuo gali šiek tiek skirtis nuo faktinės energijos lygio – tai priklauso nuo naudojimo sąlygų ir aplinkos temperatūros.

## Jungiklio veikimas

► **Pav.4:** 1. „ON“ (įjungti) / greičio keitimo mygtukas 2. Mygtukas „OFF“ (išjungti)

Norėdami įjungti siurbį, tiesiog paspauskite „ON“ (įjungti) / greičio keitimo mygtuką. Norėdami išjungti, paspauskite mygtuką „OFF“ (išjungti). Siurblio veikimo greitį galite keisti trimis pakopomis, paspausdami „ON“ (įjungti) / greičio keitimo mygtuką. Pirmasis šio mygtuko paspaudimas atitinka didelio greičio režimą, antrasis – maksimalaus greičio režimą, o trečiasis – įprasto greičio. Kiekvieną kartą paspaudus šį mygtuką, pakaitomis įjungiamas didelis / maksimalus / įprastas veikimo greitis.

## Lemputės uždegimas

**▲PERSPĖJIMAS:** Nežiūrėkite tiesiai į šviesą arba šviesos šaltinį.

► **Pav.5:** 1. „ON“ (įjungti) / greičio keitimo mygtukas 2. Mygtukas „OFF“ (išjungti) 3. Lempūtė

Norėdami įjungti lemputę, paspauskite „ON“ (įjungti) / greičio keitimo mygtuką. Paspauskite mygtuką „OFF“ (išjungti) ir išjunkite lemputę. Suaktyvinant įrankį, įsijungia lempūtė.

Kai likusi akumulatoriaus galia pradeda sekti, pradeda žybcioti lempūtė.

**PASTABA:** Laikas, kuriam praėjus lempūtė pradeda žybcioti, priklauso nuo darbo vietoje esančios temperatūros ir akumulatoriaus kasetės būklės.

## SURINKIMAS

**▲PERSPĖJIMAS:** Prieš darydami ką nors įrankiui visada patikrinkite, ar įrenginys išjungtas, o akumulatorių kasetė – nuimta.

## Dulkių išmetimas

**▲PERSPĖJIMAS:** Prieš siurblyje susikaupiant per daug dulkių, ištuštinkite jas, nes įsiurbimo galia susilpnės.

**▲PERSPĖJIMAS:** Būtinai pašalinkite dulkes iš siurblio vidinės dalies. Jeigu to nepadarysite, gali užsikšti filtras arba gali sugesti variklis.

**▲PERSPĖJIMAS:** Niekada neišmeskite dulkių stabdiklio, nes jis turi būti naudojamas kartu su dulkių maišeliu ar popieriniu filtru.

**▲PERSPĖJIMAS:** Uždarydami priekinį dangtį, būkite atsargūs, kad neprisispaustumėte pirštų.

1. Paspauskite mygtuką ir atidarykite priekinį dangtį. Atidarant jį tol, kol pasigirsta spragtelėjimas, jį galima sustabdyti į tą padėtį.

► **Pav.6:** 1. Priekinis dangtis 2. Mygtukas

2. Vienu metu patraukite už oranžinės spalvos dulkių stabdiklio ir dulkių maišelio.

► **Pav.7:** 1. Dulkių stabdiklis

3. Išimkite dulkių stabdiklį ir išvalykite siurbį.

► **Pav.8:** 1. Dulkių stabdiklis

► **Pav.9**

**PASTABA:** Siurblys sukonstruotas taip, kad priekinis dangtis nuimamas bandant atidaryti jį didesniu nei 90° kampu. Jeigu priekinis dangtis būtų nuimtas, įtaisykite jį ant priekinio dangčio sujungimo.

► **Pav.10:** 1. Priekinis dangtis 2. Priekinio dangčio sujungimas

## Dulkių maišelis ir popierinis filtras

Prieš naudodamiesi siurbliu įtaisykite dulkių maišelį ar popierinį filtrą.

Įtaisydami dulkių maišelį ar popierinį filtrą naudokite ir dulkių stabdiklį.

Pakartotinai išvalę dulkių maišelį, galite jį naudoti daug kartų.

Popierinis filtras yra vienkartinis. Popieriniam filtrui prispildžius, išmeskite jį neištuštinę.



**PASTABA:** Kad į variklį nepatektų dulkių:

- įsitikinkite, kad prieš naudojimą buvo įdėtas dulkių maišelis arba popierinis filtras.
- Tvirtindami, į angas iki pat galo įdėkite dulkių stabdiklį kartu su dulkių maišeliu ar popieriniu filtru.
- Nenaudokite sugadinto ar suplėšyto maišelio.

Priešingu atveju variklis gali būti pažeistas.

**PASTABA:** Įdėdami popierinį filtrą, neužlenkite kartono ties jo angą.

**PASTABA:** Neišmeskite dulkių stabdiklio, nes jis turi būti pakartotinai naudojamas kartu su dulkių maišeliu ar dulkių filtru.

**PASTABA:** Popierinis siurblio filtras yra svarbi, įrankio veikimą palaikanti sudedamoji dalis. Naudojant ne originalų popierinį filtrą, gali kilti dūmai arba liepsna.

## Dulkių maišelio uždėjimas

Įtaisydami dulkių maišelį naudokite ir dulkių stabdiklį. Būkite atidūs, nepaimkite už viršutinio krašto vietoje apatinio, nes jie skiriasi.

- **Pav.11:** 1. Dulkių stabdiklio viršutinis kraštas  
2. Dulkių stabdiklio apatinis kraštas

1. Įdėkite dulkių maišelio išsikišimą į dulkių stabdiklio griovelį, kaip parodyta paveikslėlyje.

- **Pav.12:** 1. Dulkių stabdiklis 2. Griovelis 3. Dulkių maišelis

2. Dulkių maišelio viršutinis ir apatinis kraštai nesiskiria. Į apatinį dulkių stabdiklio griovelį galite įdėti bet kurio krašto išsikišimą.

- **Pav.13:** 1. Apatinis griovelis

3. Perdenkite dulkių stabdiklio rėmelį dulkių maišelio rėmeliu.

- **Pav.14**

4. Įstatykite dulkių stabdiklį ir dulkių maišelį kartu į siurblio ertmę ta pačia ant dulkių stabdiklio esančios rodyklės kryptimi. Įstatykite juos iki galo į angas, siurblio ertmėje.

- **Pav.15:** 1. Siurblio ertmė

5. Įdėkite visą dulkių maišelio audeklą į siurblių.

- **Pav.16**

6. Visiškai uždarykite priekinį dangtį.

- **Pav.17:** 1. Priekinis dangtis

## Popierinio filtro įdėjimas

Įdėdami popierinį filtrą naudokite dulkių stabdiklį. Būkite atidūs, nepaimkite už viršutinio krašto vietoje apatinio, nes jie skiriasi.

- **Pav.18:** 1. Dulkių stabdiklio viršutinis kraštas  
2. Dulkių stabdiklio apatinis kraštas

1. Prieš dėdami popierinį filtrą ant dulkių stabdiklio, atlenkite popierinio filtro priekį.

- **Pav.19**

2. Įdėkite popierinio filtro išsikišimą į dulkių stabdiklio griovelį, kaip parodyta paveikslėlyje.

- **Pav.20:** 1. Dulkių stabdiklis 2. Griovelis 3. Popierinis filtras

3. Popierinio filtro viršutinis ir apatinis kraštai nesiskiria. Į apatinį dulkių stabdiklio griovelį galite įdėti bet kurio krašto išsikišimą.

- **Pav.21:** 1. Apatinis griovelis

4. Perdenkite dulkių stabdiklio rėmelį popierinio filtro rėmeliu.

- **Pav.22**

5. Įstatykite dulkių stabdiklį ir popierinį filtrą į siurblio ertmę ta pačia ant dulkių stabdiklio esančios rodyklės kryptimi. Įstatykite juos iki galo į angas, siurblio ertmėje.

- **Pav.23**

6. Įdėkite popierinio filtro konteinerio dalį į siurblių.

- **Pav.24**

7. Visiškai uždarykite priekinį dangtį.

## NAUDOJIMAS

Norėdami prijungti priedus, pvz., antgalį, sukite ir saugiai įkiškite priedą. Norėdami priedus nuimti, sukite ir juos ištraukite.

- **Pav.25**

## Valymas (siurbimas)

### Antgalis

Norėdami išvalyti stalus, suolus, baldus ir t. t., pritvirtinkite antgalį. Antgalį galima lengvai užmauti.

- **Pav.26:** 1. Antgalis

### Antgalis bei ilginamasis vamzdis (tiesus vamzdis)

Ilginamasis vamzdis tvirtinamas prie siurblio ir prie antgalio. Jis yra labai patogus grindims valyti stovint.

- **Pav.27:** 1. Siurblio korpusas 2. Ilginimo lazdelė 3. Antgalis

### Kampinis antgalis

Norėdami valyti kampus ir siaurus automobilio ar baldų plyšius, uždėkite kampinį antgalį.

- **Pav.28:** 1. Kampinis antgalis 2. Siurblio korpusas

### Kampinis antgalis bei ilginamasis vamzdis (tiesus vamzdis)

Siauros vietoms, kur siurblys negali įsisprausti, ar aukštomis vietoms, kur sunku pasiekti, naudokite šį ilginamąjį vamzdį.

- **Pav.29:** 1. Kampinis antgalis 2. Ilginimo lazdelė 3. Siurblio korpusas

### Valymas nenaudojant antgalio

Galite surinkti mitelius ir dulkes nenaudodami antgalio.

- **Pav.30**

## TECHNINĖ PRIEŽIŪRA

**⚠ PERSPĖJIMAS:** Visuomet įsitikinkite, ar įrankis yra išjungtas ir akumulatoriaus kasetė yra nuimta prieš atlikdami apžiūrą ir priežiūrą.

**PASTABA:** Niekada nenaudokite gazolino, benzino, tirpiklio, spirito arba panašių medžiagų. Gali atsirasti išblukimų, deformacijų arba įtrūkimų.

### Po naudojimo

**PASTABA:** Pastačius siurbį prie sienos be jokios kitos atramos, siurblys gali nukristi ir būti sugadintas.

► Pav.31

### Valymas

Retkarčiais nuvalykite siurblio išorę (siurblio korpusą), naudodami muiliname vandenyje sudrėkintą šluostę. Taip pat išvalykite įsiurbimo angą, dulkių maišelio / popierinio filtro tvirtinimo vietą ir dulkių stabdiklį.

► Pav.32

## Trikčių šalinimas

Prieš kreipdamiesi dėl remonto, patikrinkite šiuos punktus.

Požymis	Tikrintina sritis	Ištaisymo būdas
Silpna įsiurbimo galia	Ar dulkių maišelis arba popierinis filtras pilnas dulkių?	Ištuštinkite dulkių maišelį ir popierinį filtrą.
	Ar užsikimšęs dulkių maišelis?	Pašalinkite dulkes arba išplaukite dulkių maišelį.
	Ar užsikimšęs popierinis filtras?	Pakeiskite popierinį filtrą.
	Ar išsikrovė akumulatoriaus kasetė?	Įkraukite akumulatoriaus kasetę.
Neveikia	Ar išsikrovė akumulatoriaus kasetė?	Įkraukite akumulatoriaus kasetę.

**PASTABA:** Nebandykite taisyti siurblio patys.

Kad gaminys būtų SAUGUS ir PATIKIMAS, jį taisyti, apžiūrėti ar vykdyti bet kokią kitą priežiūrą ar derinimą turi įgaliotasis kompanijos „Makita“ techninės priežiūros centras; reikia naudoti tik kompanijos „Makita“ pagamintas atsargines dalis.

## PASIRENKAMI PRIEDAI

**⚠ PERSPĖJIMAS:** Šiuos papildomus priedus arba įtaisus rekomenduojama naudoti su šioje instrukcijoje nurodytu „Makita“ bendrovės įrankiu. Naudojant bet kokius kitus papildomus priedus arba įtaisus, gali kilti pavojus sužeisti žmones. Naudokite tik nurodytam tikslui skirtus papildomus priedus arba įtaisus.

Jeigu norite daugiau sužinoti apie tuos priedus, kreipkitės į artimiausią „Makita“ techninės priežiūros centrą.

- Ilginamasis vamzdis (tiesus vamzdis)
- Antgalis
- Antgalis kilimams valyti

Kai filtras užkemšamas dulėmis ir siurbimo galia sumažėja, išplaukite filtrą muiluotame vandenyje. Prieš naudodami, visiškai jį išdžiovinkite. Jei filtras bus nepakankamai sausas, gali sumažėti įsiurbimo galia ir gali sutrumpėti variklio naudojimo laikas.

► Pav.33

**PASTABA:** Popierinis filtras yra vienkartinis.

Jei kempininis filtras užsikimšęs nuo dulkių, išimkite jį iš siurblio ir išvalykite arba išplaukite vandeniu.

## Kempininio filtro išėmimas ir įdėjimas

**⚠ PERSPĖJIMAS:** Išvalę kempininį filtrą, būtinai įtaisykite jį į siurbį. Jei plovėte jį vandeniu, prieš įtaisydami išdžiovinkite jį. Dėl nepakankamai išdžiūvusio filtro gali sutrumpėti variklio eksploataavimo laikas.

Norėdami išimti kempininį filtrą, išimkite dulkių maišelį arba popierinį filtrą, tada suspauskite filtrą ir išimkite.

► Pav.34: 1. Kempininis filtras

Prispauskite visą kempininio filtro kraštą prie įtaisytos dulkių maišelio / popierinio filtro tvirtinimo vietos sienelės.

► Pav.35: 1. Tvirtinimo vietos sienelė

- Šepetėlis lentynoms valyti
- Kampinis antgalis
- Apvalus šepetėlis
- Lanksti žarna
- Popierinis filtras
- Originalus „Makita“ akumulatorius ir įkroviklis

**PASTABA:** Kai kurie sąrašė esantys priedai gali būti pateikti įrankio pakuotėje kaip standartiniai priedai. Jie įvairiose šalyse gali skirtis.

## HOIATUS

Seda seadet võivad kasutada 8-aastased ja vanemad lapsed ning füüsiliste, sensorsete või vaimsete puuetega või puudulike kogemuste ja teadmistega isikud, juhul kui nad töötavad järelevalve all või kui neid on õpetatud seadet ohutult kasutama ja nad mõistavad seadme kasutamiseiga kaasnevaid ohtusid. Lapsed ei tohi seadmega mängida. Lapsed ei tohi seadet puhastada ega hooldada ilma järelevalveta.

## TEHNILISED ANDMED

Mudel:		CL107FD
Mahutavus	tolmukotiga	500 ml
	paberfiltriga	330 ml
Pidev kasutamine (akuga BL1016)	1 (tavalise kiiruse režiim)	Ligik. 25 min
	2 (suure kiiruse režiim)	Ligik. 12 min
	3 (max kiiruse režiim)	Ligik. 10 min
Üldpikkus	960 mm	
Nimipinge	Alalisvool 10,8 V - 12 V max	
Akukassett	BL 1015, BL 1016, BL 1020B, BL 1021B	BL 1040B, BL 1041B
Netokaal	1,1 kg	1,3 kg

- Meie pideva uuringu- ja arendusprogrammi tõttu võidakse tehnilisi andmeid muuta ilma sellest ette teatamata.
- Tehnilised andmed ja akukassett võivad riigiti erineda.
- Kaal koos akukassetiga, EPTA-protseduuri 01/2003 kohaselt

## Sümbolid

Alljärgnevalt kirjeldatakse seadmetel kasutatavaid tingimärke. Veenduge, et olete nende tähendusest aru saanud enne seadme kasutamist.



Lugege juhendit.



Ainult Euroopa riigid  
Ärge visake elektriseadmeid ja akusid ära koos majapidamisprügiga! Kooskõlas Euroopa Parlamendi ja nõukogu direktiividega elektri- ja elektroonikaseadmete jäätmete, patareide ja akude, patareij- ja akujäätmete kohta ning liikmesriikide seadustega tuleb kasutuskõlbmatuks muutunud elektriseadmed ja akud koguda eraldi ning keskkonnasäästlikult ringlusse võtta.

## Kavandatud kasutus

Tööriist on ette nähtud tolmu kogumiseks.

## OHUTUSHOIATUSED

### Juhtmeta tolmuimeja ohutusnõuded

**⚠ HOIATUS: ÄÄRMISELT OLULINE ON ENNE KASUTAMIST lugeda tähelepanelikult läbi kõik ohutushoiatused ja juhised.** Hoiatuste ja juhtnõude mittejärgmine võib põhjustada elektrišokki, tulekahju ja/või tõsiseid vigastusi.

1. Ärge jätke vihma kätte. Hoidke siseruumides.
2. Ärge lubage kasutada mänguasjana. Olge tähelepanelik, kui seadet kasutavad lapsed või kasutatakse laste lähedal.
3. Kasutage ainult vastavalt antud kasutusjuhendis toodud juhiste. Kasutage ainult tootja soovitatud lisatarvikuid.
4. Ärge kasutage seadet kahjustatud akuga. Kui seade ei tööta korralikult, on maha kukkunud, kahjustatud, välistingimustesse jäetud või vette kukkunud, viige see remondikeskusse.
5. Ärge käsitsege seadet märgade kätega.

6. Ärge asetage esemeid avadesse. Blokeeritud avade korral ei tohi tolmuimejat kasutada; hoidke puhas tolmust, kiududest, karvadest ja muust, mis võiks blokeerida õhuvoolu.
7. Hoidke juuksed, lahtised riidesemed, sõrmed ja kõik kehaosad avadest ning liikuvatest osadest eemal.
8. Enne aku eemaldamist lülitage kõik juhtseadised väljalülitatud asendisse.
9. Treppide puhastamisel olge eriti ettevaatlik.
10. Ärge imege seadmesse kergestiühtivaid vedelikke (nt bensiin) ega töötage nende läheduses.
11. Kasutage laadimiseks ainult komplektis olevat laadijat.
12. Ärge imege seadmesse põlevaid ega suitsevaid esemeid, nt sigarette, tikke või kuumat tuhka.
13. Ärge kasutage tolmuimikuga filtriteta.
14. Ärge laadige akut välisliitumustega.
15. Kasutage laadimiseks ainult tootja heaks kiidetud laadijat. Üht tüüpi akuga kasutamiseks sobiv laadija võib mõnda teist tüüpi akuga kasutamisel tuua kaasa süttimisohu.
16. Kasutage elektritööriistu üksnes spetsiaalselt neile toodetud akudega. Muude akude kasutamine võib tekitada tervisekahjustusi või tulekahju.
17. Kui akut ei kasutata, ärge hoidke seda koos muude metalliesemetega, nagu kirjaklambrid, mündid, võtmed, naelad, kruvid jm väikesed metallesemed, mis võivad tekitada ühenduse klemmide vahel.
18. Väärkasutamise tagajärjel võib akut valguda välja vedelikku; ärge seda puudutage. Kui olete selle vedelikuga siiski kogemata kokku puutunud, uhtke kohta veega.

## HOIDKE JUHEND ALLES.

### OHUTUSE LISAEESKIRJAD

Seade on mõeldud kasutamiseks majapidamistöodes.

1. Lugege enne kasutamist hoolikalt seda kasutusjuhendit ja laadija kasutusjuhendit.
2. Ärge korjake üles järgmisi asju:
  - kuumad asjad, nagu põlevad sigaretid või metalli lihvimise/loikamise käigus tekkinud kuumad osakesed/metallipuru;
  - tuleohtlikud materjalid, nagu bensiin, lahusti, petrooleum või värv;
  - plahvatusohtlikud materjalid, nagu nitroglütseriin;
  - süttisoohtlikud materjalid, nagu alumiinium, tsink, magneesium, titaan, fosfor või tselluloid;
  - märg praht, vesi, õli vms;
  - teravate servadega kõvad tükid, nagu puulaastud, metallid, kivid, klaas, naelad, klambrid või lõiketerad;
  - kivistav pulber, nagu tsemend või savimuda;
  - elektrit juhtiv tolm, nagu metall või süsinik;
  - peenosakesed, nagu betoonitolm; selline tegevus võib põhjustada tulekahju, vigastusi ja/või varalist kahju.

3. Kui märkate midagi ebaharilikku, peatage töö viivitamatult.
4. Kui tolmuimeja kukub või saab löögi, kontrollige enne kasutamist hoolikalt, et sellel ei oleks mörasid ega vigastusi.
5. Hoidke tööriist eemal ahjustest jm kuumusallikatest.
6. Ärge blokeeri sisselaskeava ega ventilatsioonivärsid.

## HOIDKE JUHEND ALLES.

### Akukassetiga seotud olulised ohutusjuhised

1. Enne akukassetti kasutamist lugege (1) akulaadiljal, (2) akul ja (3) seadmel olevast juhtnõordid ja hoiatused läbi.
2. Ärge võtke akukassetti lahti.
3. Kui tööaeg järsult lüheneb, siis lõpetage kohe kasutamine. Edasise kasutamise tulemuseks võib olla ülekuumenemisoht, võimalikud põletused või isegi plahvatus.
4. Kui elektrolüüti satub silma, siis loputage silma puhta veega ja pöörduge koheselt arsti poole. Selline õnnetus võib põhjustada pimedaksjäämist.
5. Ärge tekitage akukassetis lühis:
  - (1) Ärge puutuge klemme elektrijuhtidega.
  - (2) Ärge hoidke akukassetti tööriistakastis koos metalliesemetega, nagu naelad, mündid jne.
  - (3) Ärge tehke akukassetti märjaks ega jätke seda vihma kätte.
 Aku lühis võib põhjustada tugevat elektrivoolu, ülekuumenemist, põletusi ning ka seadet tõsiselt kahjustada.
6. Ärge hoidke tööriista ja akukassetti kohtades, kus temperatuur võib tõusta üle 50 °C.
7. Ärge põletage akukassetti isegi siis, kui see on saanud tõsiselt vigastada või on täiesti kulumud. Akukassett võib tules plahvatada.
8. Olge ettevaatlik, ärge laske akul maha kukkuda ja vältige lööke.
9. Ärge kasutage kahjustatud akut.
10. Sisalduvatele liitium-ioonakudele võivad kohalduda ohtlike kaupade õigusaktide nõuded. Kaubanduslikul transportimisel, näiteks kolmanda poolde või transpordiettevõtete poolt, tuleb järgida pakendil ja siltidel toodud erinõudeid. Transportimiseks ettevalmistamisel on vajalik pidada nõu ohtliku materjali eksperdigaga. Samuti tuleb järgida võimalike riiklike regulatsioonide üksikasjalikumaid nõudeid. Katke teibiga või varjake avatud kontaktid ja pakendage aku selliselt, et see ei saaks pakendis liikuda.
11. Järgige kasutusõhumatuks muutunud aku käitlemisel kohalikke eeskirju.
12. Kasutage akusid ainult Makita heaks kiidetud toodetega. Akude paigaldamine selleks mitte ettenähtud toodetele võib põhjustada süttimist, ülemäärast kuumust, plahvatamist või elektrolüüdi lekkimist.

## HOIDKE JUHEND ALLES.

**⚠ETTEVAATUST:** Kasutage ainult Makita originaalakusid. Mitte Makita originaalakude või muudetud akude kasutamine võib põhjustada akude süttimise, kehavigastuse ja kahjustuse. Samuti muudab see kehtetuks Makita tööriista ja laadija Makita garantii.

## Vihjeid aku maksimaalse kasutusaja tagamise kohta

1. Laadige akukassetti enne selle täieliku tühjenemist. Kui märkate, et tööriist töötab väiksema võimsusega, peatage töö ja laadige akukassetti.
2. Ärge laadige täielikult laetud akukassetti. Ülelaadimine lühendab akude kasutusiga.
3. Laadige akukassetti toatemperatuuril 10 °C - 40 °C. Enne laadimist laske kuumenenud akukassetil maha jahtuda.

## FUNKSIONAALNE KIRJELDUS

**⚠ETTEVAATUST:** Kandke alati hoolt selle eest, et tööriist oleks enne reguleerimist ja kontrollimist välja lülitatud ja akukassett eemaldatud.

**⚠ETTEVAATUST:** Olge ettevaatlik ja ärge jätkake aku paigaldamise ajal sõrme/sõrmi tolmuimeja ja aku vahele, nagu joonisel näidatud. Sõrmede vigastamise oht.

► Joon.1

## Akukasseti paigaldamine või eemaldamine

**⚠ETTEVAATUST:** Lülitage tööriist alati enne akukasseti paigaldamist või eemaldamist välja.

**⚠ETTEVAATUST:** Akukasseti paigaldamisel või eemaldamisel tuleb tööriista ja akukassetti kindlalt paigal hoida. Kui tööriista ja akukassetti ei hoita kindlalt paigal, võivad need käest libiseda ning kahjustada tööriista ja akukassetti või põhjustada kehavigastusi.

► Joon.2: 1. Punane näidik 2. Nupp 3. Akukassett

Akukasseti eemaldamiseks libistage see tööriista küljest lahti, vajutades kassetti esiküljel paiknevat nuppu alla.

Akukasseti paigaldamiseks joondage akukasseti keel korpuse soonega ja libistage kassett oma kohale.

Paigaldage akuadapter alati nii kaugemale, et see lukustuks klõpsatusega oma kohale. Kui näete nupu ülaosas punast osa, pole kassett täielikult lukustunud.

**⚠ETTEVAATUST:** Paigaldage akukassett alati täies ulatuses nii, et punast osa ei jääks näha. Muidu võib adapter juhulikult tööriistast välja kukkuda ning põhjustada teile või läheduses viibivatele isikutele vigastusi.

**⚠ETTEVAATUST:** Ärge rakendage akukasseti paigaldamisel jõudu. Kui kassett ei lähe kergesti sisse, pole see õigesti paigaldatud.

## Aku kaitsesüsteem

Tööriist on varustatud aku kaitsesüsteemiga. Süsteem lülitab mootori automaatselt välja, et pikendada aku tööiga.

Tööriist seiskub käitamise ajal automaatselt, kui tööriista ja/või aku kohta kehtivad järgmised tingimused:

### Ülekoormus:

Tööriista kasutatakse viisil, mis põhjustab toitevoolu tugevuse tõusu lubatust kõrgemale. Sellisel juhul lülitage tööriist välja ning lõpetage tööriista ülekoormuse põhjustanud tegevus. Pärast seda käivitage tööriist uuesti.

### Madal akupinge:









Järelejäädud aku voolutugevus on liiga väike ja tööriist ei tööta. Tööriista sisse lülitades hakkab mootor tööle, kuid seiskub peatselt. Sellisel juhul eemaldage aku ja laadige seda.

## Aku jääkmahutavuse näit

### Ainult näidikuga akukassettidele

► Joon.3: 1. Märgulambid 2. Kontrollimise nupp

Akukasseti järelejäädud mahutavuse kontrollimiseks vajutage kontrollimise nuppu. Märgulambid süttivad mõneks sekundiks.

Märgulambid		Jääkmahutavus
Põleb	Ei põle	
		75–100%
		50–75%
		25–50%
		0–25%

**MÄRKUS:** Näidatud mahutavus võib veidi erineda tegelikust mahutavusest olenevalt kasutustingimustest ja ümbritseva keskkonna temperatuurist.

## Lüliti funktsioneerimine

► Joon.4: 1. Nupp SEES / kiiruse valimine 2. Nupp VÄLJAS

Tolmuimeja sisselülitamiseks vajutage lihtsalt nuppu SEES / kiiruse valimine. Väljalülitamiseks vajutage nuppu VÄLJAS.

Nuppu SEES / kiiruse valimine vajutades saate valida tolmuimeja kolme kiiruse vahel.

Esimest korda seda nuppu vajutades lülitub sisse suure kiiruse režiim, teine vajutus aktiveerib max kiiruse režiimi ja kolmas vajutus tavalise kiiruse. Uuesti sama nuppu vajutades kordub suure/max/tavalise kiiruse tsükkel.

## Lambi süütamine

**⚠ETTEVAATUST:** Ärge vaadake otse valgusse ega valgusallikat.

- **Joon.5:** 1. Nupp SEES / kiiruse valimine 2. Nupp VÄLJAS 3. Lamp

Lambi sisselülitamiseks vajutage lihtsalt nuppu SEES / kiiruse valimine. Lambi väljalülitamiseks nuppu VÄLJAS. Tööriista käivitamisel lülitub lamp sisse. Aku tühjenemisel hakkab lamp vilkuma.

**MÄRKUS:** Aeg, millal lamp vilkuma hakkab, sõltub töökoha temperatuurist ja akukasseti seisundist.

## KOKKUPANEK

**⚠ETTEVAATUST:** Kandke alati hoolt selle eest, et tööriist oleks enne igasuguseid hooldustöid välja lülitatud ja akukasseti eemaldatud.

## Tolmu eemaldamine

**⚠ETTEVAATUST:** Tühjendage tolmuimeja enne, kui see liigselt täitub, või enne, kui imemisjõud väheneb.

**⚠ETTEVAATUST:** Puhastage ka tolmuimeja sisemus tolmust. Vastasel juhul ummistab tolmu filtri või kahjustab mootorit.

**⚠ETTEVAATUST:** Ärge tolmustopperit minema visake, seda peab kasutama alati koos tolmu koti või paberfiltriga.

**⚠ETTEVAATUST:** Olge esikatte sulgemisel ettevaatlik, et te ei jätaks sõrmi katte ja seadme vahele.

1. Esikatte avamiseks vajutage nuppu. Kate jääb avanemisel õigesse asendisse, kui kuulete klõpsatust.
 

► **Joon.6:** 1. Esikate 2. Nupp
2. Tõmmake oranž tolmu koti sulgur ja tolmu kott välja üheskoos, samaaegselt.
 

► **Joon.7:** 1. Tolmustopper
3. Eemaldage tolmustopper ja tühjendage tolmuimeja.
 

► **Joon.8:** 1. Tolmustopper

► **Joon.9**

**MÄRKUS:** Tolmuimeja on konstrueeritud sellisel viisil, et esikate tuleks seadme küljest lahti, kui püüate seda avada suurema nurga all kui 90°. Kui esikate on seadme küljest lahti tulnud, siis pange see seadme ja katte vahelise liigendi külge tagasi.

- **Joon.10:** 1. Esikate 2. Esikatte liigend

## Tolmu kott ja paberfilter

Enne tolmuimeja kasutamist paigaldage tolmu kott või paberfilter.

Kasutage tolmu kotti või paberfiltrit paigaldades tolmustopperit.

Tolmu kotti saab tühjendada ja korduvalt kasutada.

Paberfilter on mõeldud ühekordseks kasutamiseks. Kui paberfilter saab täis, visake see ilma eelnevalt tühjendamata välja.

**TÄHELEPANU:** Mootori kaitsmine tolmu sissetungimise eest.

- Veenduge, et enne kasutamist oleksid paigaldatud tolmu kott ja paberfilter.
- Paigaldamisel sisestage tolmustopper tolmu koti või paberfiltriga lõpuni piludesse.
- Ärge kasutage purunenud ega rebenenud filtrikotti.

Muidu võib mootor puruneda.

**TÄHELEPANU:** Ärge voltige paberfiltrit paigaldamise ajal kartongi selle avas kokku.

**TÄHELEPANU:** Ärge tolmustopperit minema visake, seda peab alati kasutama koos tolmu koti või paberfiltriga.

**TÄHELEPANU:** Nõuetekohane paberfilter on tähtis komponent tolmuimeja jõudluse tagamise seisukohast. Mitteoriginaalse paberfiltrit kasutamine võib põhjustada suitsemist või süttimist.

## Tolmu koti paigaldamine

Kasutage tolmu koti paigaldamisel tolmustopperit.

Jälgige, et ei ajaks kogemata segamini tolmustopperi alumist ja ülemist poolt – need on erinevad.

- **Joon.11:** 1. Tolmustopperi ülemine pool  
2. Tolmustopperi alumine pool

1. Lükake tolmu koti väljaulatav serv tolmustopperi soonde nii, nagu joonisel kujutatud.
 

► **Joon.12:** 1. Tolmustopper 2. Soon 3. Tolmu kott
2. Tolmu koti ülemine ja alumine serv on ühesugused. Kotti väljaulatava serva võib tolmustopperi alumisse soonde lükata mõlemalt poolt.
 

► **Joon.13:** 1. Alumine soon
3. Tolmu koti raam peab katma tolmustopperi raami.
 

► **Joon.14**
4. Asetage tolmustopper ja tolmu kott üheskoos tolmuimeja tühimikku tolmustopperil oleva noole suunas. Lükake mõlemad tolmuimeja tühimiku piludesse lõpuni välja.
 

► **Joon.15:** 1. Tolmuimeja tühimik
5. Paigutage tolmu koti kogu riidest osa tolmuimeja sisse.
 

► **Joon.16**
6. Sulgege korralikult esikate.
 

► **Joon.17:** 1. Esikate

## Paberfiltri paigaldamine

Kasutage paberfiltri paigaldamisel tolmustopperit. Jälgige, et ei ajaks kogemata segamini tolmustopperi alumist ja ülemist poolt – need on erinevad.

- **Joon.18:** 1. Tolmustopperi ülemine pool  
2. Tolmustopperi alumine pool

1. Enne tolmustopperisse paigutamist voltige paberfiltri suu lahti.  
► **Joon.19**

2. Lükake paberfiltri väljaulatuv serv tolmustopperi soonde nii, nagu joonisel kujutatud.

- **Joon.20:** 1. Tolmustopper 2. Soon 3. Paberfilter

3. Paberfiltri ülemine ja alumine serv on ühesugused. Filtri väljaulatava serva võib tolmustopperi alumisse soonde lükata ükskõik kummalt poolt.

- **Joon.21:** 1. Alumine soon

4. Paberfiltri raam peab katma tolmustopperi raami.

- **Joon.22**

5. Asetage tolmustopper ja paberfilter üheskoos tolmumeija tühimikku tolmustopperil oleva noole suunas. Lükake mõlemad tolmumeija tühimiku piludesse lõpuni välja.

- **Joon.23**

6. Paigutage paberfiltri kogumisosa täielikult tööriista sisse.

- **Joon.24**

7. Sulgege korralikult esikate.

## TÖÖRIISTA KASUTAMINE

Lisaseadiste (nt otsaku) ühendamiseks pöörake lisaseadist ja sisestage see kindlalt. Lisaseadiste lahutamiseks pöörake neid ja tõmmake välja.

- **Joon.25**

## Puhastamine (imemine)

### Otsak

Laudade, mööbli jm puhastamiseks kinnitage tolmumeija otsak. Otsak kinnitub lihtsalt.

- **Joon.26:** 1. Otsak

### Otsak + teleskooporu (sirge toru)

Teleskooporu saab paigutada otsaku ja aparadi vahele. See muudab seistes pööranda puhastamise mugavaks.

- **Joon.27:** 1. Tolmumeija korpus 2. Pikendustoru  
3. Otsak

### Nurgaotsak

Kinnitage auto või mööbli nurkade ja pragude puhastamiseks nurgaotsak.

- **Joon.28:** 1. Nurgaotsak 2. Tolmumeija korpus

## Nurgaotsak + teleskooporu (sirge toru)

Kasutage seda võimalust piiratud ruumis, kuhu tolmumeija ei mahu, või kõrgete kohtade puhul, kuhu on raske ulatuda.

- **Joon.29:** 1. Nurgaotsak 2. Pikendustoru  
3. Tolmumeija korpus

## Puhastamine ilma otsakuta

Pulbrit ja tolmu saate koguda ilma otsakuta.

- **Joon.30**

## HOOLDUS

**⚠ETTEVAATUST:** Enne kontroll- või hooldustoimingute tegemist kandke alati hoolt selle eest, et tööriist oleks välja lülitatud ja akukassett korpuse küljest eemaldatud.

**TÄHELEPANU:** Ärge kunagi kasutage bensiini, vedeldit, alkoholi ega midagi muud sarnast. Selle tulemuseks võib olla luitumine, deformatsioon või pragunemine.

## Pärast kasutamist

**TÄHELEPANU:** Tolmumeija asetamine vastu seinu ilma abitoeta võib põhjustada seadme mahakukkumise ja kahjustumise.

- **Joon.31**

## Puhastamine

Puhastage tolmumeija korpuse välispinda aeg-ajalt seebivees niisutatud lapiga.

Puhastage ka imiava, tolmukoti/paberfiltri paigaldamisala ja tolmustopperit.

- **Joon.32**

Peske filtrit seebivees, kui filter on tolmust ummistunud ja tolmumeija võimsus langenud. Enne kasutamist laske korralikult kuivada. Halvasti kuivatatud filter vähendab imemisvõimsust ja lühendab mootori eluiga.

- **Joon.33**

**MÄRKUS:** Paberfilter on mõeldud ühekordseks kasutamiseks.

Kui tolmufilter on tolmust ummistunud, eemaldage see aparaadist ja puhastage või peske seda.

## Tolmufiltri paigaldamine ja eemaldamine

**⚠ETTEVAATUST:** Ärge unustage tolmufiltrit pärast puhastamist tolmumeijasse paigaldada. Kui te filtrit pesite, laske sel enne tagasipanekut ära kuivada. Korralikult kuivamata tolmufilter võib lühendada mootori kasutusiga.

Tolmufiltri eemaldamiseks eemaldage tolmukott või paberfilter, seejärel pitsitage kokku ja tõmmake välja.

- **Joon.34:** 1. Tolmufilter

Vajutage kogu tolmufiltri serv tolmukoti/paberfiltri paigaldusala süvitatud siseseina vastu.

- **Joon.35:** 1. Süvitatud sein

## Törkeotsing

Enne seadme remonti viimist kontrollige järgmisi punkte.

Probleemi kirjeldus	Mida tuleks uurida?	Kuidas parandada?
Nõrk imemisjõud	Kas tolmukott või paberfilter on tolmuga täis?	Tühjendage tolmukott või paberfilter.
	Kas tolmukott on ummistunud?	Tühjendage või peske tolmukott.
	Kas paberfilter on ummistunud?	Vahetage paberfilter.
	Kas akukassett on tühi?	Laadige akukassett.
Ei tööta.	Kas akukassett on tühi?	Laadige akukassett.

**MÄRKUS:** Ärge püüdke tolmuimejat ise parandada.

Toote OHUTUSE ja TÖÖKINDLUSE tagamiseks tuleb vajalikud remonttööd ning muud hooldus- ja reguleerimistööd lasta teha Makita volitatud teeninduskeskustes või tehase teeninduskeskustes. Alati tuleb kasutada Makita varuosi.

## VALIKULISED TARVIKUD

**⚠ETTEVAATUST:** Neid tarvikuid ja lisaseadiseid on soovitatav kasutada koos Makita tööriistaga, mille kasutamist selles kasutusjuhendis kirjeldatakse. Muude tarvikute ja lisaseadiste kasutamisega kaasneb vigastada saamise oht. Kasutage tarvikuid ja lisaseadiseid ainult otstarbekohaselt.

Saate vajaduse korral kohalikust Makita teeninduskeskusest lisateavet nende tarvikute kohta.

- Teleskooptoru (sirge toru)
- Otsak
- Vaibaotsak
- Riiulihari
- Nurgaotsak
- Ümmargune hari
- Elastne voolik
- Paberfilter
- Makita algupärane aku ja laadija

**MÄRKUS:** Mõned nimekirjas loetletud tarvikud võivad kuuluda standardvarustusse ning need on lisatud tööriista pakendisse. Need võivad riigiti erineda.



## ОСТОРОЖНО

Данный инструмент могут использовать дети с 8 лет и лица с ограниченными физическими, сенсорными или умственными способностями, а также не имеющие надлежащего опыта и знаний, только в случаях, когда они действуют под руководством или после надлежащего инструктажа по безопасному использованию инструмента и осознают возможные опасности. Не разрешайте детям играть с инструментом. Детям запрещается проводить чистку и обслуживание без контроля со стороны взрослых.

## ТЕХНИЧЕСКИЕ ХАРАКТЕРИСТИКИ

<b>Модель:</b>		<b>CL107FD</b>
Производительность	с пылесборным мешком	500 мл
	с бумажным фильтром	330 мл
Продолжительное использование (с аккумулятором BL1016)	1 (Режим нормальной скорости)	Приблизительно 25 мин
	2 (Режим высокой скорости)	Приблизительно 12 мин
	3 (Режим максимальной скорости)	Приблизительно 10 мин
Общая длина		960 мм
Номинальное напряжение		10,8 - 12 В пост. тока, макс.
Блок аккумулятора		BL 1015, BL 1016, BL 1020B, BL 1021B BL 1040B, BL 1041B
Масса нетто		1,1 кг 1,3 кг

- Благодаря нашей постоянно действующей программе исследований и разработок указанные здесь технические характеристики могут быть изменены без предварительного уведомления.
- Технические характеристики и аккумуляторный блок могут отличаться в зависимости от страны.
- Масса (с аккумуляторным блоком) в соответствии с процедурой EPTA 01.2003

### Символы

Ниже приведены символы, используемые для обозначения. Перед использованием убедитесь, что вы понимаете их значение.



Прочитайте руководство по эксплуатации.



Только для стран ЕС  
Не выбрасывайте электрооборудование или аккумуляторы вместе с бытовым мусором! В соответствии с европейскими директивами об утилизации электрического и электронного оборудования, о батареях и аккумуляторах, а также использованных батареях и аккумуляторах и их применении в соответствии с местными законами электрооборудование, батареи и аккумуляторы, срок эксплуатации которых истек, должны утилизироваться отдельно и передаваться для утилизации на предприятие, соответствующее применяемым правилам охраны окружающей среды.

### Назначение

Данный инструмент предназначен для сбора сухой пыли.

# МЕРЫ БЕЗОПАСНОСТИ

## Правила техники безопасности при эксплуатации аккумулятора пылесоса

**⚠ ОСТОРОЖНО: ВАЖНО! ВНИМАТЕЛЬНО ОЗНАКОМЬТЕСЬ** со всеми инструкциями и рекомендациями по технике безопасности **ДО НАЧАЛА РАБОТЫ**. Невыполнение инструкций и рекомендаций может привести к поражению электротоком, пожару и/или тяжелым травмам.

1. Берегите от дождя. Храните в помещении.
2. Не позволяйте использовать в качестве игрушки. Если инструмент используют дети или инструмент используется рядом с детьми, соблюдайте особую осторожность.
3. Используйте только так, как описано в настоящем руководстве. Используйте только принадлежности, рекомендованные производителем.
4. Не используйте с поврежденным аккумулятором. Если инструмент не работает должным образом, был уронен, поврежден, забыт на улице или попал в воду, отнесите его в сервисный центр.
5. Не берите инструмент мокрыми руками.
6. Не помещайте какие-либо предметы в отверстия. Не используйте, если какое-либо отверстие заблокировано. Предотвращайте попадание пыли, пуха, волос и других материалов, способных уменьшить поток воздуха.
7. Держите волосы, свободную одежду, пальцы и другие части тела подальше от отверстий и движущихся деталей.
8. Перед снятием аккумулятора выключите все регуляторы.
9. Проявляйте особую осторожность при чистке на лестницах.
10. Не используйте для сбора огнеопасных или воспламеняющихся жидкостей, например бензина, и не используйте там, где они могут присутствовать.
11. Для зарядки используйте только зарядное устройство, поставляемое производителем.
12. Не собирайте ничего, что горит или дымится, например, окурки, спички или горячий пепел.
13. Не используйте без установленных фильтров и/или пылесборного мешка.
14. Не заряжайте аккумулятор на улице.
15. Заряжайте аккумулятор только зарядным устройством, указанным изготовителем. Зарядное устройство, подходящее для одного типа аккумуляторных блоков, может привести к пожару при его использовании с другим аккумуляторным блоком.

16. Используйте электроинструмент только с указанными аккумуляторными блоками. Использование других аккумуляторных блоков может привести к травме или пожару.
17. Когда аккумуляторный блок не используется, храните его отдельно от металлических предметов, таких как скрепки, монеты, ключи, гвозди, шурупы или другие небольшие металлические предметы, которые могут привести к короткому замыканию контактов аккумуляторного блока.
18. При неправильном обращении из аккумуляторного блока может потечь жидкость. Избегайте контакта с ней. В случае контакта с кожей промойте место контакта обильным количеством воды.

## СОХРАНИТЕ ДАННЫЕ ИНСТРУКЦИИ.

## ДОПОЛНИТЕЛЬНЫЕ ПРАВИЛА ТЕХНИКИ БЕЗОПАСНОСТИ

Этот инструмент предназначен для домашнего использования.

1. Перед использованием внимательно прочитайте это руководство по эксплуатации и руководство по эксплуатации зарядного устройства.
2. Запрещается собирать следующие материалы:
  - горячие материалы (напр., зажженные сигареты) или искры/стружку при шлифовке/резании металла
  - горючие материалы (например, бензин, растворитель, бензол, керосин или краска)
  - взрывоопасные материалы (например, нитроглицерин)
  - воспламеняющиеся материалы (например, алюминий, цинк, магний, титан, фосфор или целлулоид)
  - жидкую грязь, воду, масло и подобные материалы
  - твердые частицы с острыми краями (например, древесные стружки, металлы, камни, стекло, гвозди, штифты или бритвы)
  - пыль от цемента или тонера
  - электропроводящую пыль (например, металлов или угля)
  - тонкодисперсные частицы (например, пыль от бетона)
 Подобные действия могут привести к пожару, травмам и/или повреждению имущества.
3. Немедленно прекратите работу, если вы заметили какие-либо отклонения.
4. Тщательно проверьте пылесос перед началом эксплуатации на предмет наличия трещин и повреждений, если вы уронили или ударили его.
5. Не подносите близко к печам и источникам тепла.

6. Не блокируйте входные и вентиляционные отверстия.

## СОХРАНИТЕ ДАННЫЕ ИНСТРУКЦИИ.

### Важные правила техники безопасности для работы с аккумуляторным блоком

1. Перед использованием аккумуляторного блока прочитайте все инструкции и предупреждающие надписи на (1) зарядном устройстве, (2) аккумуляторном блоке и (3) инструменте, работающем от аккумуляторного блока.
2. Не разбирайте аккумуляторный блок.
3. Если время работы аккумуляторного блока значительно сократилось, немедленно прекратите работу. В противном случае, может возникнуть перегрев блока, что приведет к ожогам и даже к взрыву.
4. В случае попадания электролита в глаза промойте их обильным количеством чистой воды и немедленно обратитесь к врачу. Это может привести к потере зрения.
5. Не замыкайте контакты аккумуляторного блока между собой:
  - (1) Не прикасайтесь к контактам какими-либо токопроводящими предметами.
  - (2) Не храните аккумуляторный блок в кейсе вместе с другими металлическими предметами, такими как гвозди, монеты и т. п.
  - (3) Не допускайте попадания на аккумуляторный блок воды или дождя.

Замыкание контактов аккумуляторного блока между собой может привести к возникновению большого тока, перегреву, возможному ожогу и даже поломке блока.

6. Не храните инструмент и аккумуляторный блок в местах, где температура может достигать или превышать 50 °C (122 °F).
7. Не бросайте аккумуляторный блок в огонь, даже если он сильно поврежден или полностью вышел из строя. Аккумуляторный блок может взорваться под действием огня.
8. Не роняйте и не ударяйте аккумуляторный блок.
9. Не используйте поврежденный аккумуляторный блок.
10. Входящие в комплект литий-ионные аккумуляторы должны эксплуатироваться в соответствии с требованиями законодательства об опасных товарах.

При коммерческой транспортировке, например, третьей стороной или экспедитором, необходимо нанести на упаковку специальные предупреждения и маркировку.

В процессе подготовки устройства к отправке обязательно проконсультируйтесь со специалистом по опасным материалам. Также соблюдайте местные требования и нормы. Они могут быть строже.

Закройте или закрепите разомкнутые контакты и упакуйте аккумулятор так, чтобы он не перемещался по упаковке.

11. Выполняйте требования местного законодательства относительно утилизации аккумуляторного блока.
12. Используйте аккумуляторы только с продукцией, указанной Makita. Установка аккумуляторов на продукцию, не соответствующую требованиям, может привести к пожару, перегреву, взрыву или утечке электролита.

## СОХРАНИТЕ ДАННЫЕ ИНСТРУКЦИИ.

**▲ВНИМАНИЕ:** Используйте только фирменные аккумуляторные батареи Makita. Использование аккумуляторных батарей, не произведенных Makita, или батарей, которые были подвергнуты модификациям, может привести к взрыву аккумулятора, пожару, травмам и повреждению имущества. Это также автоматически аннулирует гарантию Makita на инструмент и зарядное устройство Makita.

## Советы по обеспечению максимального срока службы аккумулятора

1. Заряжайте блок аккумуляторов перед его полной разрядкой. Обязательно прекратите работу с инструментом и зарядите блок аккумуляторов, если вы заметили снижение мощности инструмента.
2. Никогда не подзаряжайте полностью заряженный блок аккумуляторов. Перезарядка сокращает срок службы аккумулятора.
3. Заряжайте блок аккумуляторов при комнатной температуре в 10 - 40 °C (50 - 104 °F). Перед зарядкой горячего блока аккумуляторов дайте ему остыть.

## ОПИСАНИЕ РАБОТЫ

**ВНИМАНИЕ:** Перед регулировкой или проверкой функций инструмента обязательно убедитесь, что он выключен и его аккумуляторный блок снят.

**ВНИМАНИЕ:** Соблюдайте осторожность, чтобы при установке аккумулятора не защемили пальцы между пылесосом и аккумулятором, как показано на рисунке. Защемление пальцев может привести к травме.

► Рис.1

## Установка или снятие блока аккумулятора

**ВНИМАНИЕ:** Обязательно выключайте инструмент перед установкой и извлечением аккумуляторного блока.

**ВНИМАНИЕ:** При установке и извлечении аккумуляторного блока крепко удерживайте инструмент и аккумуляторный блок. Если не соблюдать это требование, они могут выскользнуть из рук, что приведет к повреждению инструмента, аккумуляторного блока и травмированию оператора.

► Рис.2: 1. Красный индикатор 2. Кнопка 3. Блок аккумулятора

Для снятия аккумуляторного блока нажмите кнопку на лицевой стороне и извлеките блок.

Для установки аккумуляторного блока совместите выступ аккумуляторного блока с пазом в корпусе и задвиньте его на место. Устанавливайте блок до упора так, чтобы он зафиксировался на месте с небольшим щелчком. Если вы можете видеть красный индикатор на верхней части клавиши, адаптер аккумулятора не полностью установлен на месте.

**ВНИМАНИЕ:** Обязательно устанавливайте аккумуляторный блок до конца, чтобы красный индикатор не был виден. В противном случае аккумуляторный блок может выпасть из инструмента и нанести травму вам или другим людям.

**ВНИМАНИЕ:** Не прилагайте чрезмерных усилий при установке аккумуляторного блока. Если блок не двигается свободно, значит он вставлен неправильно.

## Система защиты аккумулятора

На инструменте предусмотрена система защиты аккумулятора. Она автоматически отключает питание двигателя для продления срока службы аккумулятора. Инструмент автоматически остановится во время работы при возникновении указанных ниже ситуаций.

### Перегрузка:

Из-за способа эксплуатации инструмент потребляет очень большое количество тока.

В этом случае выключите инструмент и прекратите работу, повлекшую перегрузку инструмента. Затем включите инструмент для перезапуска.

## Низкое напряжение аккумулятора:

Уровень оставшейся емкости аккумулятора слишком низкий, и инструмент не работает. При включении инструмента электродвигатель запускается и вскоре останавливается. В этом случае снимите и зарядите аккумулятор.

## Индикация оставшегося заряда аккумулятора

**Только для блоков аккумулятора с индикатором**

► Рис.3: 1. Индикаторы 2. Кнопка проверки

Нажмите кнопку проверки на аккумуляторном блоке для проверки заряда. Индикаторы загорятся на несколько секунд.

Индикаторы		Уровень заряда
Горит	Выкл.	
■ ■ ■ ■	□	от 75 до 100%
■ ■ ■ □	□	от 50 до 75%
■ ■ □ □	□	от 25 до 50%
■ □ □ □	□	от 0 до 25%

**ПРИМЕЧАНИЕ:** В зависимости от условий эксплуатации и температуры окружающего воздуха индикация может незначительно отличаться от фактического значения.

## Действие выключателя

► Рис.4: 1. Кнопка "Вкл./изменения скорости  
2. Кнопка "Выкл."

Для включения пылесоса просто нажмите кнопку "Вкл./изменения скорости. Чтобы выключить инструмент, нажмите кнопку "Выкл.". Вы можете изменить скорость пылесоса за три шага путем нажатия кнопки "Вкл./изменения скорости. Первое нажатие на эту кнопку включает режим высокой скорости, второе — режим максимальной скорости, а третье — нормальной. Каждое последующее нажатие попеременно повторяет цикл высокой//максимальной/нормальной скорости.

## Включение лампы

**ВНИМАНИЕ:** Не смотрите непосредственно на свет или источник света.

► Рис.5: 1. Кнопка "Вкл./изменения скорости  
2. Кнопка "Выкл." 3. Лампа

Для включения подсветки просто нажмите кнопку "Вкл./изменения скорости. Нажмите на кнопку "Выкл." для отключения подсветки. При включении инструмента загорается световой индикатор. При низком заряде аккумулятора индикатор начинает мигать.

**ПРИМЕЧАНИЕ:** Время, по истечении которого индикатор загорается, зависит от температуры на рабочем месте и состояния блока аккумулятора.

## СБОРКА

**▲ВНИМАНИЕ:** Перед проведением каких-либо работ с инструментом обязательно убедитесь, что инструмент отключен, а блок аккумулятора снят.

### Удаление пыли

**▲ВНИМАНИЕ:** Опорожните пылесос до того, как он заполнится, или сила всасывания уменьшится.

**▲ВНИМАНИЕ:** Обязательно удалите пыль с внутренних поверхностей пылесоса. Невыполнение этого условия может привести загрязнению фильтра или к повреждению мотора.

**▲ВНИМАНИЕ:** Никогда не выбрасывайте заглушку для пыли, потому что она должна использоваться как с пылесборным мешком, так и с бумажным фильтром.

**▲ВНИМАНИЕ:** Закрывая переднюю крышку, соблюдайте осторожность, чтобы не защемить пальцы.

1. Нажмите кнопку, чтобы открыть переднюю крышку. Если открыть крышку до щелчка, она зафиксируется в этом положении.

► **Рис.6:** 1. Передняя крышка 2. Кнопка

2. Вытяните одновременно оранжевую крышку пылесборного мешка и пылесборный мешок.

► **Рис.7:** 1. Заглушка для пыли

3. Удалите заглушку для пыли и опорожните пылесос.

► **Рис.8:** 1. Заглушка для пыли

► **Рис.9**

**ПРИМЕЧАНИЕ:** Если продолжить открывать крышку, когда угол открытия превысит 90°, крышка отсоединится. Если передняя крышка отсоединилась, вставьте ее обратно в разъем.

► **Рис.10:** 1. Передняя крышка 2. Стык передней крышки

### Пылесборный мешок и бумажный фильтр

Перед использованием пылесоса установите либо пылесборный мешок, либо бумажный фильтр. При установке пылесборного мешка или бумажного фильтра используйте заглушку для пыли.

Пылесборный мешок можно использовать повторно много раз, очищая его.

Бумажный фильтр необходимо выбрасывать после использования. Выбросьте бумажный фильтр, когда он заполнится, не опорожняя его.

**ПРИМЕЧАНИЕ:** Во избежание попадания пыли в мотор:

- Перед использованием инструмента убедитесь в наличии установленного пылесборного мешка или бумажного фильтра.
- При установке пылесборного мешка или бумажного фильтра также установите заглушку для пыли в слоты до фиксации.
- Не используйте поврежденный или разорванный мешок.

Несоблюдение данной инструкции может привести к повреждению двигателя.

**ПРИМЕЧАНИЕ:** При установке бумажного фильтра не сгибайте картонные части на его отверстии.

**ПРИМЕЧАНИЕ:** Никогда не выбрасывайте заглушку для пыли, потому что она предназначена для повторного использования с пылесборным мешком и с бумажным фильтром.

**ПРИМЕЧАНИЕ:** Бумажный фильтр пылесоса — это важный компонент для сохранения работоспособности инструмента. Использование бумажных фильтров других производителей может привести к появлению дыма или возгоранию.

### Установка пылесборного мешка

При установке пылесборного мешка используйте заглушку для пыли. Будьте внимательны, чтобы не перепутать верхнюю и нижнюю части, потому что они отличаются друг от друга.

► **Рис.11:** 1. Верхняя часть заглушки для пыли  
2. Нижняя часть заглушки для пыли

1. Вставьте выступ на пылесборном мешке в паз на заглушке для пыли, как показано на рисунке.

► **Рис.12:** 1. Заглушка для пыли 2. Паз  
3. Пылесборный мешок

2. Между нижней и верхней сторонами пылесборного мешка нет разницы. Вы можете вставить его выступ любой стороной в нижний паз на заглушке для пыли.

► **Рис.13:** 1. Нижний паз

3. Перекройте рамку заглушки для пыли рамкой пылесборного мешка.

► **Рис.14**

4. Поместите одновременно заглушку для пыли и пылесборный мешок в углубление в пылесосе в направлении стрелки на заглушке для пыли. Вставьте их до упора в слоты углубления в пылесосе.

► **Рис.15:** 1. Углубление в пылесосе

5. Поместите всю тканевую часть пылесборного мешка внутрь самого устройства.

► **Рис.16**

6. Полностью закройте переднюю крышку.

► **Рис.17:** 1. Передняя крышка

## Установка бумажного фильтра

При установке бумажного фильтра используйте также заглушку для пыли. Будьте внимательны, чтобы не перепутать верхнюю и нижнюю части, потому что они отличаются друг от друга.

► **Рис.18:** 1. Верхняя часть заглушки для пыли  
2. Нижняя часть заглушки для пыли

1. Разверните входную часть бумажного фильтра перед тем, как устанавливать его на заглушку для пыли.

► **Рис.19**

2. Вставьте выступ на бумажном фильтре в паз на заглушке для пыли, как показано на рисунке.

► **Рис.20:** 1. Заглушка для пыли 2. Паз  
3. Бумажный фильтр

3. Между нижней и верхней сторонами бумажного фильтра нет разницы. Вы можете вставить его выступ любой стороной в нижний паз на заглушке для пыли.

► **Рис.21:** 1. Нижний паз

4. Перекройте рамку заглушки для пыли рамкой бумажного фильтра.

► **Рис.22**

5. Поместите одновременно заглушку для пыли и бумажный фильтр в углубление в пылесосе в направлении стрелки на заглушке для пыли. Вставьте их до упора в слоты углубления в пылесосе.

► **Рис.23**

6. Поместите всю тканевую часть бумажного мешка внутрь самого устройства.

► **Рис.24**

7. Полностью закройте переднюю крышку.

## ЭКСПЛУАТАЦИЯ

Для подсоединения дополнительного оборудования, например насадок, поверните насадку и зафиксируйте ее. Для отсоединения дополнительного оборудования поверните его и снимите.

► **Рис.25**

## Чистка (всасывание)

### Насадка

Прикрепите насадку для чистки столов, письменных столов, мебели и т. д. Насадка легко скользит.

► **Рис.26:** 1. Насадка

### Насадка + удлиняющая труба (прямая труба)

Удлиняющая труба вставляется между насадкой и самим пылесосом. С помощью такого приспособления удобно чистить полы стоя.

► **Рис.27:** 1. Корпус пылесоса 2. Удлиняющая труба 3. Насадка

## Угловая насадка

Прикрепите угловую насадку для чистки углов и щелей автомобилей или мебели.

► **Рис.28:** 1. Угловая насадка 2. Корпус пылесоса

### Угловая насадка + удлиняющая труба (прямая труба)

Используйте это приспособление в тесных углах, где невозможно поместить сам пылесос, или в труднодоступных высоких местах.

► **Рис.29:** 1. Угловая насадка 2. Удлиняющая труба  
3. Корпус пылесоса

## Чистка без насадки

Мелкие частицы и пыль можно собирать без насадки.

► **Рис.30**

## ОБСЛУЖИВАНИЕ

**ВНИМАНИЕ:** Перед проведением проверки или работ по техобслуживанию всегда проверяйте, что инструмент выключен, а блок аккумуляторов снят.

**ПРИМЕЧАНИЕ:** Запрещается использовать бензин, растворители, спирт и другие подобные жидкости. Это может привести к обесцвечиванию, деформации и трещинам.

## После использования

**ПРИМЕЧАНИЕ:** Если прислонить пылесос к стене без дополнительных опор, он упадет и будет поврежден.

► **Рис.31**

## Очистка

Время от времени протирайте внешнюю часть (корпус) пылесоса с помощью тряпки, смоченной мыльной водой.

Также очищайте всасывающее отверстие, область крепления пылесборного мешка/бумажного фильтра и заглушку для пыли.

► **Рис.32**

Когда в фильтре скопится пыль и мощность пылесоса уменьшится, промойте фильтр в мыльной воде. Тщательно высушите его перед использованием. Неполностью высушенный фильтр может привести к плохому всасыванию и уменьшить срок службы мотора.

► **Рис.33**

**ПРИМЕЧАНИЕ:** Бумажный фильтр необходимо выбрасывать после использования.

Когда губчатый фильтр загрязнится пылью, извлеките его из пылесоса, а затем вытряхните его или промойте водой.

## Снятие и установка губчатого фильтра

**ВНИМАНИЕ:** После очистки губчатого фильтра обязательно установите его в пылесос. Если вы промывали его водой, перед установкой высушите его. Неполностью высушенный губчатый фильтр может сократить срок службы мотора.

Для удаления губчатого фильтра извлеките пылесборный мешок или бумажный фильтр, а затем зажмите и вытащите его.

► **Рис.34:** 1. Губчатый фильтр

Нажмите по всей кромке губчатого фильтра вдоль утопленной панели внутри области установки пылесборного мешка/бумажного фильтра.

► **Рис.35:** 1. Стенка с углублением

## Устранение неполадок

Перед ремонтом проверьте следующее:

Признак	Что проверить	Способ крепления
Недостаточная сила всасывания	Пылесборный мешок или бумажный фильтр заполнены пылью?	Опорожните пылесборный мешок или бумажный фильтр.
	Пылесборный мешок засорен?	Вытряхните или промойте пылесборный мешок.
	Бумажный фильтр засорен?	Замените бумажный фильтр.
	Недостаточный заряд блока аккумулятора?	Зарядите блок аккумулятора.
Не работает	Недостаточный заряд блока аккумулятора?	Зарядите блок аккумулятора.

**ПРИМЕЧАНИЕ:** Не пытайтесь чинить пылесос самостоятельно.

Для обеспечения БЕЗОПАСНОСТИ и НАДЕЖНОСТИ оборудования ремонт, любое другое техобслуживание или регулировку необходимо производить в уполномоченных сервис-центрах Makita или сервис-центрах предприятия с использованием только сменных частей производства Makita.

## ДОПОЛНИТЕЛЬНЫЕ ПРИНАДЛЕЖНОСТИ

**ВНИМАНИЕ:** Данные принадлежности или приспособления рекомендуются для использования с инструментом Makita, указанным в настоящем руководстве. Использование других принадлежностей или приспособлений может привести к получению травмы. Используйте принадлежность или приспособление только по указанному назначению.

**ПРИМЕЧАНИЕ:** Некоторые элементы списка могут входить в комплект инструмента в качестве стандартных приспособлений. Они могут отличаться в зависимости от страны.

Если вам необходимо содействие в получении дополнительной информации по этим принадлежностям, свяжитесь с вашим сервис-центром Makita.

- Удлиняющая труба (прямая труба)
- Насадка
- Насадка для чистки ковра
- Щетка для чистки полок
- Угловая насадка
- Круглая щетка
- Гибкий шланг
- Бумажный фильтр
- Оригинальный аккумулятор и зарядное устройство Makita

**Makita Europe N.V.** Jan-Baptist Vinkstraat 2,  
3070 Kortenberg, Belgium

**Makita Corporation** 3-11-8, Sumiyoshi-cho,  
Anjo, Aichi 446-8502 Japan

[www.makita.com](http://www.makita.com)

885526A986 EN, SV, NO, FI, LV, LT, ET, RU 20171101
---