

NON-SPRING RETURN PLANT VALVE ACTUATORS

ACTUATORS

BAS / BMS

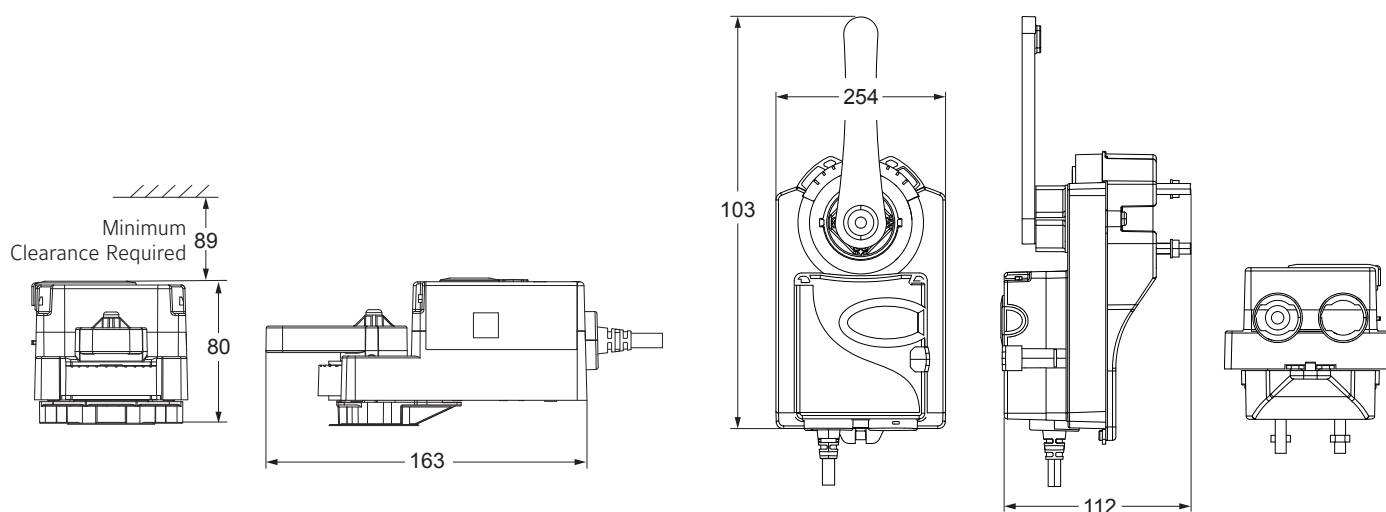
8, 10, 20 AND 35 Nm, ON/OFF, FLOATING
AND PROPORTIONAL CONTROL ROTARY ACTUATORS
FOR BALL VALVES

The Non Spring Return Actuators for Ball Valves are used to provide accurate positioning on Joventa JVx05 Series DN15 up to DN150 ball valves in Heating, Ventilating and Air Conditioning (HVAC) applications.

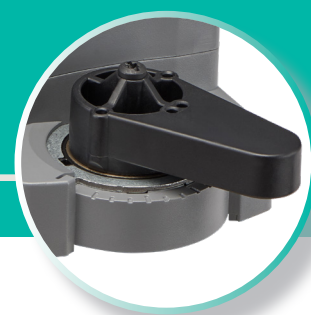
FEATURES

- Automatic models with signal input detection model: ON/OFF, Floating and Proportional control
- High speed actuator models
- Line voltage models
- Optional auxiliary switch & potentiometer feedback
- Direct-Coupled Design
- Rugged IP54 Rated Enclosure
- Electronic stall detection
- Microprocessor-controlled Brushless DC Motor

DIMENSIONS (in mm)



NON-SPRING RETURN PLANT VALVE ACTUATORS



BAS / BMS

ORDERING INFORMATION

CODES	TORQUE (Nm)	RUNNING TIME (s/mm)	CONTROL SIGNALS	SUPPLY VOLTAGE (50/60 Hz)
BAS1.08Z	8	8	ON/OFF and Floating	24 VAC/DC
* BAS2.08Z				100 to 240 VAC
BAS2.10	10	35	ON/OFF and Floating Proportional ON/OFF, Floating and Proportional	100 to 240 VAC
* BMS2.10				24 VAC/DC
BMS1.10				
* BAS1.16Z	16	16	ON/OFF and Floating	24 VAC/DC
* BAS2.16Z				100 to 240 VAC
* BAS2.20	20	90	ON/OFF and Floating Proportional ON/OFF, Floating and Proportional	100 to 240 VAC
* BMS2.20				24 VAC/DC
* BMS1.20				
* BAS2.35	35	150	ON/OFF and Floating Proportional ON/OFF, Floating and Proportional	100 to 240 VAC
* BMS2.35				24 VAC/DC
* BMS1.35				

Note

* Available in Later Spring 2019

ACCESSORIES (ORDER SEPARATELY)

CODES	DESCRIPTION
M9000-342	NEMA 4X, IP66 Weathershield (quantity 1)
M9000-561	Thermal Barrier Kit for low pressure steam application (quantity 1)
M9000-606	Position indicator (quantity 5)
M9300-1	Auxiliary Switch Kit (one single-pole, double-throw)
M9300-2	Auxiliary Switch Kit (two single-pole, double-throw)
M9300-100	Threaded Conduit Adapters for 12.7 mm electrician's fittings (quantity 5)
M9300-140	External Feedback Potentiometer 140k Ohm
M9300-1K	External Feedback Potentiometer 1k Ohm
M9300-2K	External Feedback Potentiometer 2k Ohm
M9300-10K	External Feedback Potentiometer 10k Ohm
M9310-500	Ball Valve Linkage Kit for applying BAS-BMS Series Electric Actuators to JVx05 Series Valves (quantity 1)