

Non Spring Return Damper Actuators

M910x-xGA-xS

(*Joventa DAB / DAD / DMD*)

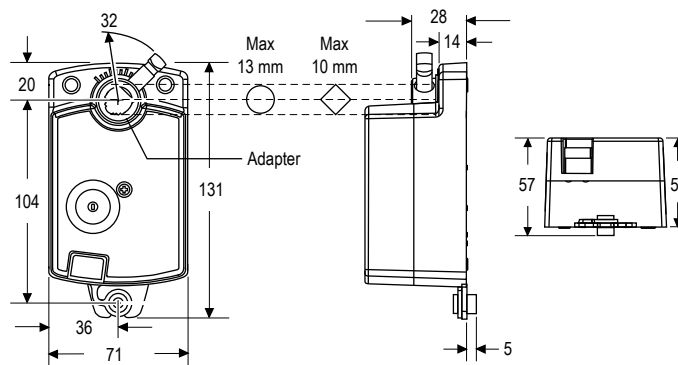
2 and 4 Nm, ON/OFF, Floating and Proportional Control

The Small Family electric damper actuator series have been developed to operate small air dampers in ventilation and air conditioning systems.

The compact design make this actuator highly versatile.

Features

- Floating, ON/OFF and Proportional Control
- Load-independent running time
- Up to 5 actuators in parallel operation possible
- Actuators available with PVC cable or with Plug-in terminal block connection
- Simple direct mounting with universal adapter for fitting to \varnothing 8...13 mm or with 8...10 mm square shaft. 45 mm minimum shaft length
- Selectable direction of rotation
- Manual release button



Dimensions in mm

Ordering Codes		Torque	Running Time	Damper Size	Control Signals	Supply Voltage (50/60Hz)	Connection	
Johnson Controls	Joventa							
M9102-AGA-1S	DAB1.4	2 Nm	36 s	0.4 m ²	Floating without timeout	AC 24 V	PVC-cable	
M9102-AGA-5S	DAB1.4C				Terminal block			
M9102-IGA-1S	DAB1				ON/OFF and Floating with timeout		PVC-cable	
M9102-IGA-5S	DAB1C				Terminal block			
M9104-AGA-1S	DAD1.4	4 Nm	72 s	0.8 m ²	Floating without timeout		AC 100 to 240 V	PVC-cable
M9104-AGA-5S	DAD1.4C				Terminal block			
M9104-IGA-1S	DAD1				ON/OFF and Floating with timeout			PVC-cable
M9104-IGA-5S	DAD1C				Terminal block			
M9104-IUA-5S	DAD2			Proportional 0...10 VDC	AC 24 V			PVC-cable
M9104-GGA-1S	DMD1.2							Terminal block
M9104-GGA-5S	DMD1.2C							Terminal block
								Terminal block