

## Filterelement Filter element

HC2296FCS36H50

### Material-Nr.:

Material no.:

### Bezeichnung:

Designation:

### Filterfeinheit<sup>1</sup>:

10 µm

Filtration grade<sup>1</sup>:

### Filtrationsquotient<sup>1</sup>:

$\beta_{10}(c) = 200 / \beta_{11}(c) = 1000$  (ISO 16889)

Filtration ratio<sup>1</sup>:

### Filtermaterial<sup>1</sup>:

Glasfasermaterial PWR / H..XL

Filter media<sup>1</sup>:

glass fiber material PWR / H..XL

### Kollapsdruckbeständigkeit bar [psi]:

30 [435]

Collapse pressure rating bar [psi]:

### Temperaturbeständigkeit °C [°F]:

-40...100 [-40...212]

Temperature rating °C [°F]:

### Bypass Öffnungsdruck bar [psi]:

3 [43.5]

Bypass cracking pressure bar [psi]:

### Dichtungswerkstoff:

NBR

Sealing material:

### Abmessungen mm [inch]:

Dimensions mm [inch]:

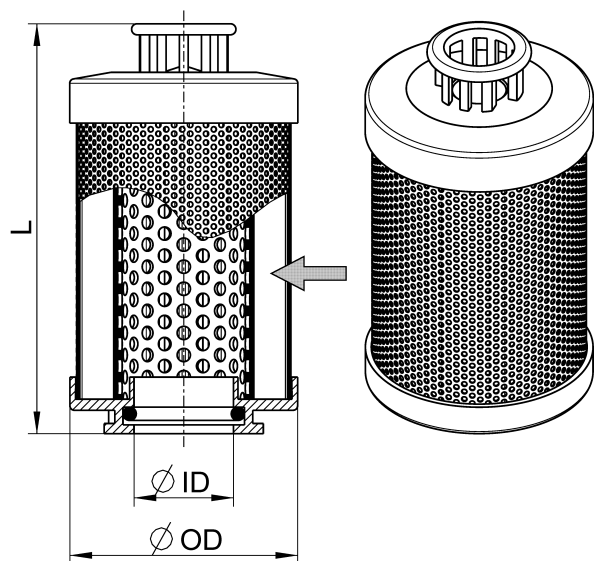
OD = 143,5 [5.7]

ID = 96,5 [3.8]

L = 920,0 [36.2]

Gewicht kg [lbs]: 7,2 [16.0]

Weight kg [lbs]:



Vereinfachte Darstellung  
The drawing shown is a simplistic representation