

Filterelement Filter element

HC2296FCP36H50

Material-Nr.:

Material no.:

Bezeichnung:

Designation:

Filterfeinheit¹:

3 µm

Filtration grade¹:

Filtrationsquotient¹:

β₅(c) = 200 / β₆(c) = 1000 (ISO 16889)

Filtration ratio¹:

Filtermaterial¹:

Glasfasermaterial PWR / H..XL

Filter media¹:

glass fiber material PWR / H..XL

Kollapsdruckbeständigkeit bar [psi]:

30 [435]

Collapse pressure rating bar [psi]:

Temperaturbeständigkeit °C [°F]:

-40...100 [-40...212]

Temperature rating °C [°F]:

Bypass Öffnungsdruck bar [psi]:

3 [43.5]

Bypass cracking pressure bar [psi]:

Dichtungswerkstoff:

NBR

Sealing material:

Abmessungen mm [inch]:

Dimensions mm [inch]:

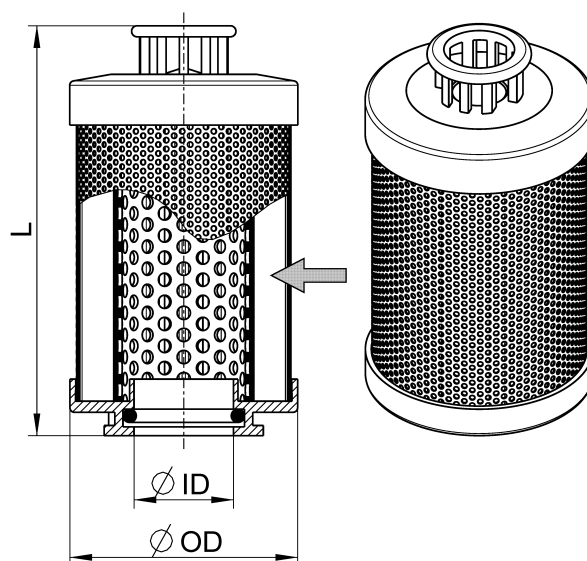
OD = 143,5 [5.7]

ID = 96,5 [3.8]

L = 920,0 [36.2]

Gewicht kg [lbs]: 7,2 [16.0]

Weight kg [lbs]:



Vereinfachte Darstellung
The drawing shown is a simplistic representation