

AN7345K

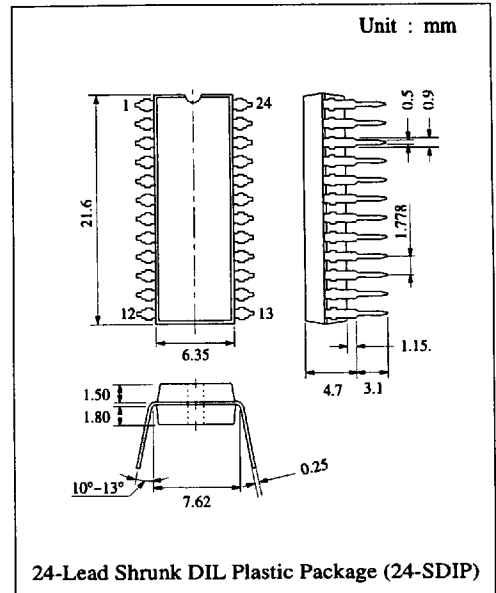
Dual Record/Playback Pre-Amplifier IC for Double Cassette

■ Description

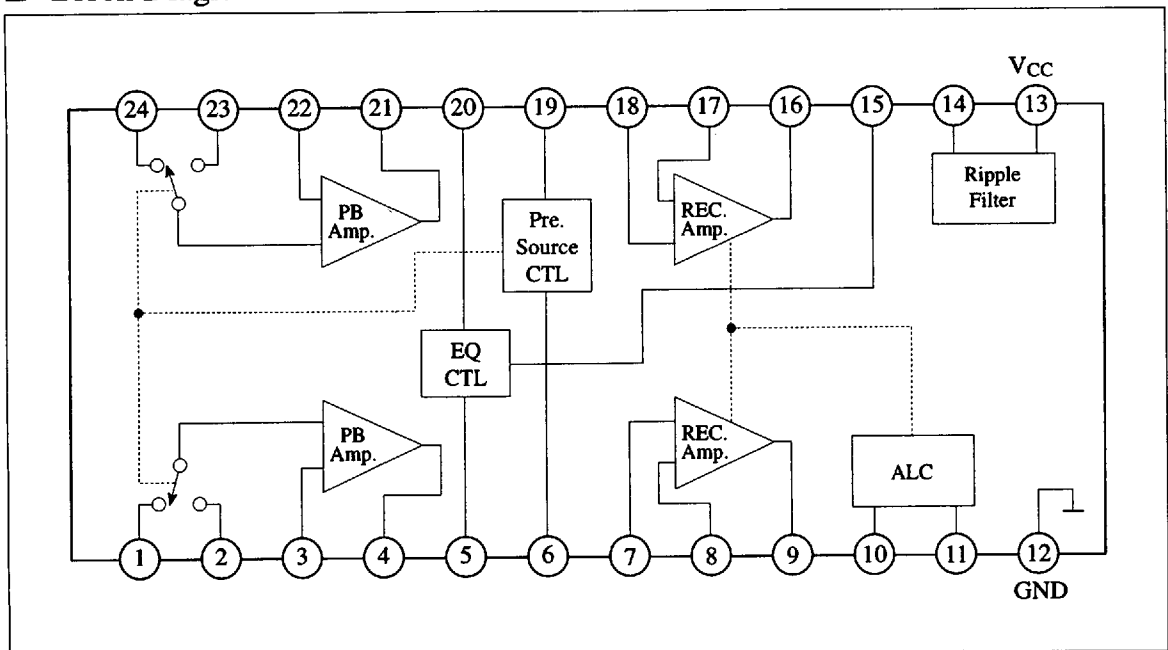
The AN7345K is a monolithic integrated circuit designed for double cassette, and built-in Dual-channel Record/Playback pre-amplifier including ALC function in the shrunk 24-DIL Pin Package.

■ Features

- Built-in equalizer SW circuit for Playback Amplifier
- Built-in Playback Amplifier input switching circuit for Double Cassette
- Wide operating supply voltage range :
 $V_{CC(opr)} = 4V \sim 12V$



■ Block Diagram



■ Absolute Maximum Ratings (Ta=25°C)

Item	Symbol	Rating	Unit
Supply Voltage	V _{CC}	14	V
Supply Current	I _{CC}	37	mA
Power Dissipation	P _D	1000	mW
Operating Ambient Temperature	T _{opr}	-20 ~ +75	°C
Storage Temperature	T _{stg}	-55 ~ +150	°C

Operating Supply Voltage Range: V_{CC} = 4.0V ~ 12.0V

■ Electrical Characteristics (V_{CC}=5V, Ta=25°C)

Item	Symbol	Condition	min.	typ.	max.	Unit
No Signal Supply Current	I _{tot}	V _{in} = 0V	5.5	11	17.5	mA

Playback Amp.

Input Noise Voltage	V _{ni(p)}	R _g = 2.2kΩ, DIN/AUDIO		1.3	2	μV
Open-Loop Gain	G _{VO(p)}	f = 1kHz, V _O = 0dBV	75	84		dB
Closed-Loop Gain	G _{VC(p)}	f = 1kHz, V _O = 0dBV		43		dB
Total Harmonic Distortion	THD _(p)	f = 1kHz, V _O = 0dBV		0.05	0.4	%
Max. Output Voltage	V _{O(p)}	f = 1kHz, THD = 3%	0.9	1.4		V
Channel Balance	CB _(p)	f = 1kHz, V _O = 0dBV	-1.5	0	1.5	dB
Channel Crosstalk	CT _{C(p)}	f = 1kHz, V _O = 0dBV, R _g = 2.2kΩ	55	65		dB
Source Crosstalk	CT _{S(p)}	f = 1kHz, V _O = 0dBV, R _g = 2.2kΩ	55	65		dB

REC. Amp.

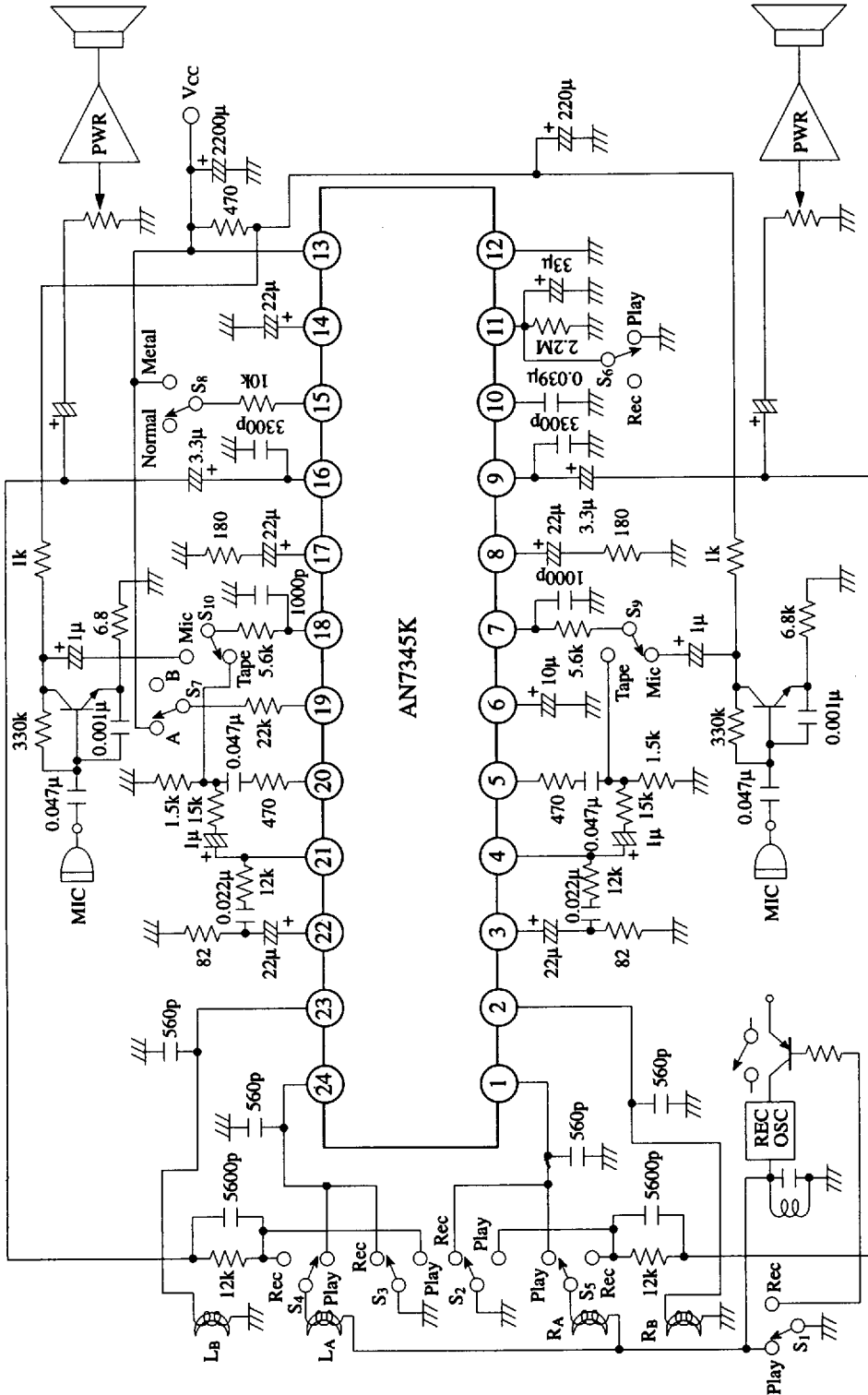
Output Noise Voltage	V _{no(R)}	R _g = 0Ω, DIN/AUDIO		350	900	μV
Open-Loop Gain	G _{VO(R)}	f = 1kHz, V _O = 0dBV	70	80		dB
Closed-Loop Gain	G _{VC(R)}	f = 1kHz, V _O = 0dBV		50		dB
Total Harmonic Distortion	THD _(R)	f = 1kHz, V _O = 0dBV		0.16	0.5	%
Max. Output Voltage	V _{O(R)}	f = 1kHz, THD = 3%	1.4	1.8		V
Channel Crosstalk	CT _(R)	f = 1kHz, V _O = 0dBV, R _g = 0Ω	50	63		dB

ALC

ALC Start Voltage	V _{ALC}	f = 1kHz, V _{in} = -40dBV	0.78	1.03	1.28	V
ALC Range (*1)	W _{ALC}	f = 1kHz, V _O = 0dBV, R _g = 5.6kΩ	35			dB
ALC Channel Balance	CB _(A)	f = 1kHz, V _O = -40dBV, R _g = 5.6kΩ	-2	0	2	dB

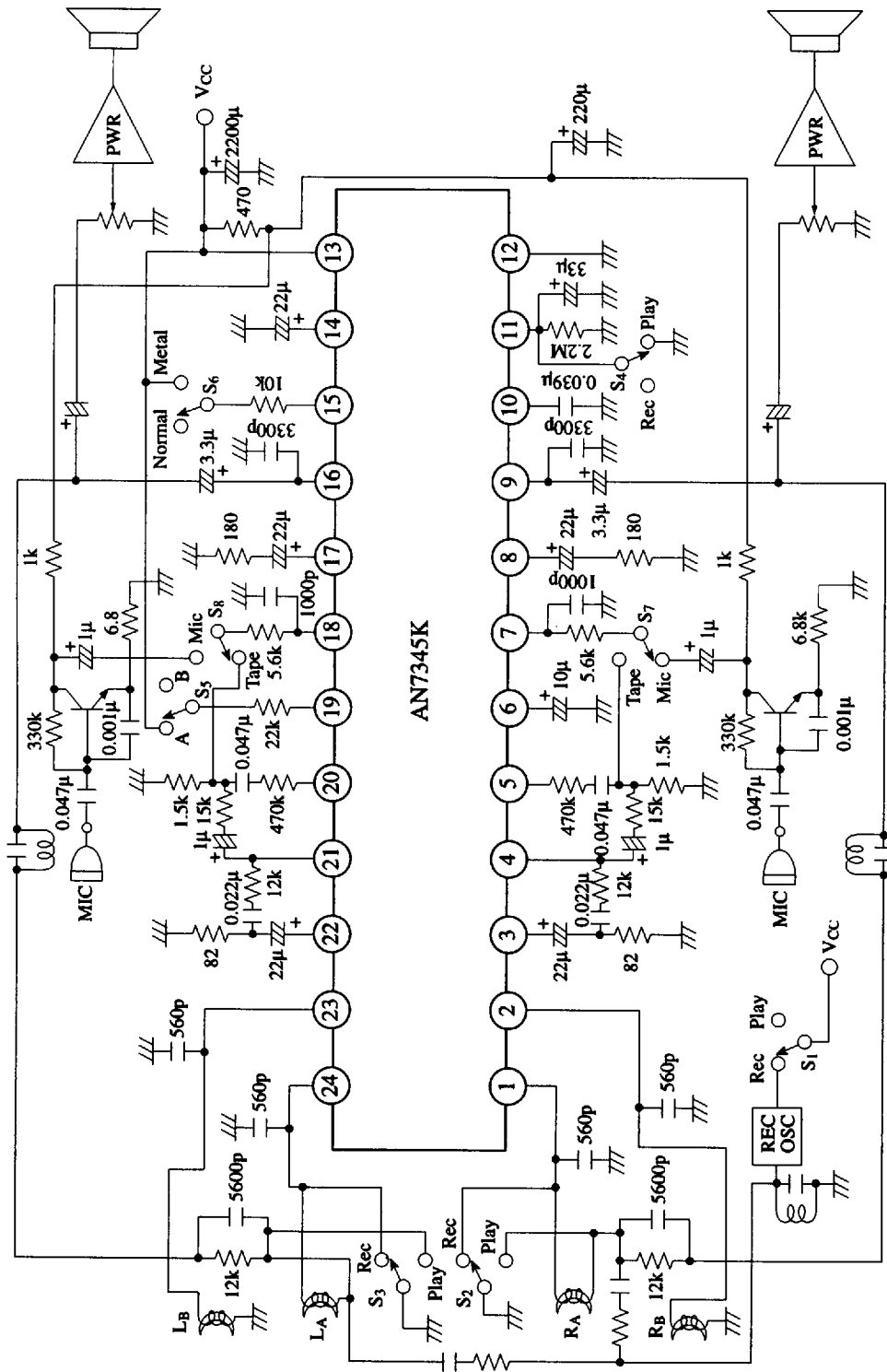
Note : (*1) ALC Range is the input range from V_{in} = -40dB until the output THD becomes 3%

■ Application Circuit - 1 (With Electronic Switch)




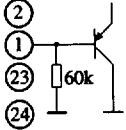
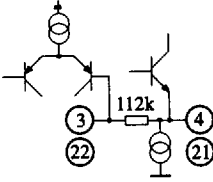

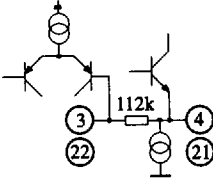
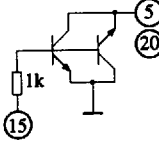
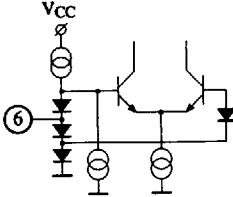

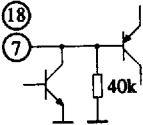
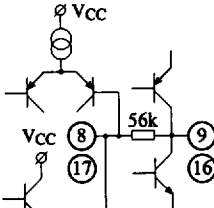

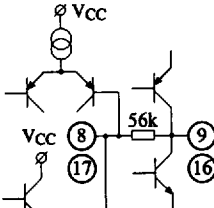
- S₁ - S₆ : Play / Rec switching
 - S₇ : A / B head input signal switching
 - S₈ : Normal / Metal, Equalizer switching
 - S_{9, 10} : Tape Rec / MIC Rec switching
- (Note) More than 5.6kΩ is necessary for input of Pin 7, Pin 18

■ Application Circuit - 2

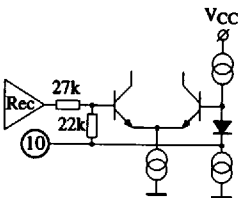
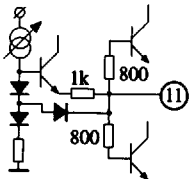
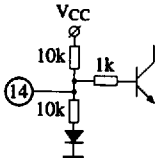
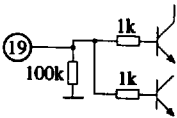


- S₁ - S₄ : Play / Rec switching
 - S₅ : A / B head input signal switching
 - S₆ : Normal / Metal, Equalizer switching
 - S_{7,8} : Tape Rec / MIC Rec switching
- (Note) More than 5.6kΩ is necessary for input of Pin 7, Pin 18

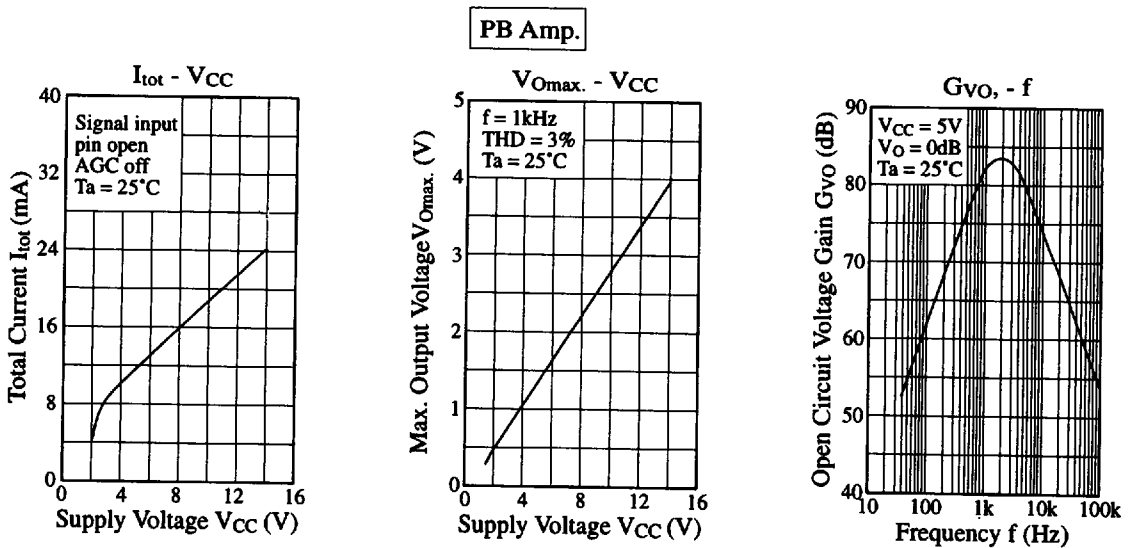
■ Pin Descriptions

Pin No.	Pin Name	Typical Waveform	Equivalent Circuit	Description
1	Channel 1 Playback Amp. Input (1)	 AC 3.7mV		Playback amp. input.
24	Channel 2 Playback Amp. Input (1)			
2	Channel 1 Playback Amp. Input (2)			
23	Channel 2 Playback Amp. Input (2)			
3	Channel 1 Playback Amp. Negative Feedback	DC = 0.7V		Playback amp. feedback.
22	Channel 2 Playback Amp. Negative Feedback			
4	Channel 1 Playback Amp. Output	 AC 1V		Playback amp. output.
21	Channel 2 Playback Amp. Output			
5	Channel 1 Equalizer			Playback amp. Equalizer switching. (more than) 0.7V - Equalizer pin, GND short.
20	Channel 2 Equalizer			
15	Equalizer Control			
6	Pre-amp. Input Switching Time Constant	DC = 1.4V (Pin 19 High) DC = 0.2V (Pin 19 open)		Connect capacitor which determines PB input switching time constant.
7	Channel 1 Rec. Amp. Input	 AC 1.9 mV		Rec. amp. input.
18	Channel 2 Rec. Amp. Input			
8	Channel 1 Rec. Amp. Negative Feedback	DC = 0.7V		Rec. amp. feedback.
17	Channel 2 Rec. Amp. Negative Feedback			
9	Channel 1 Rec. Amp. Output	 AC 0.5 mV		Rec. amp. output.
16	Channel 2 Rec. Amp. Output			

■ Pin Descriptions (Continue)

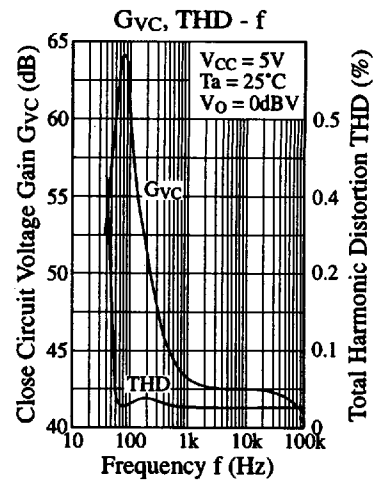
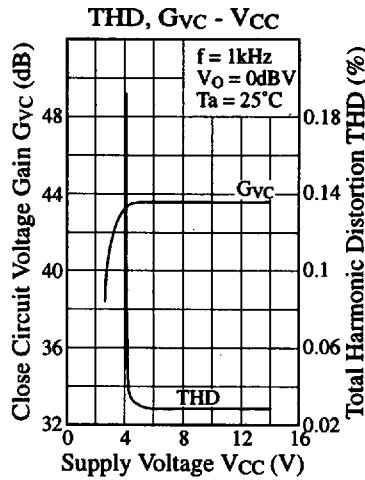
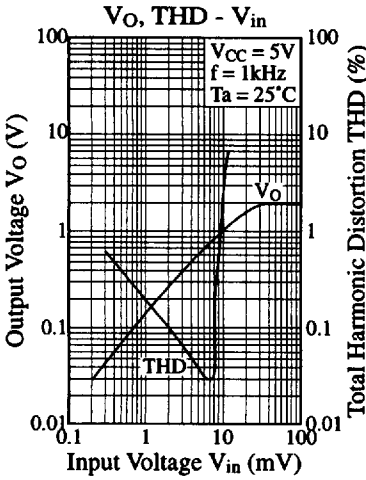
Pin No.	Pin Name	Typical Waveform	Equivalent Circuit	Description
10	Low CUT	DC ≈ 2.5V		ALC comparator circuit reference voltage.
11	ALC Time Constant	Follow input signal		Low-pass filter pin.
12	GND			Main Circuit GND.
13	Positive Supply Pin	DC = 5V		Main Circuit +Vcc.
14	V _{REF}	DC = 3.2V		
19	Pre-amp. Input Switching Control			Pre-amp. (T1/T2) input switching control. (more than) 0.7V - T1 open - T2

■ Characteristics Curve

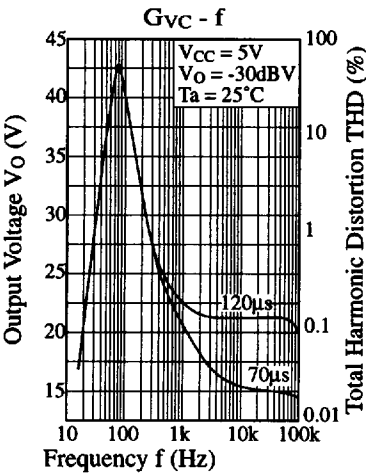


■ Characteristics Curve (Continue)

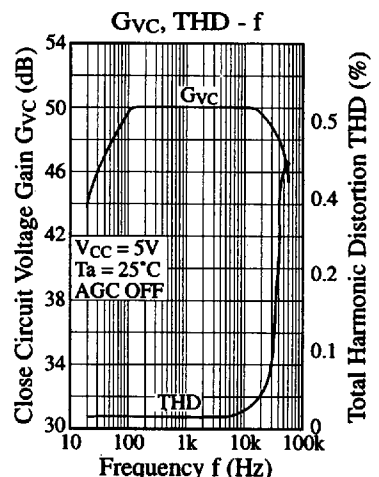
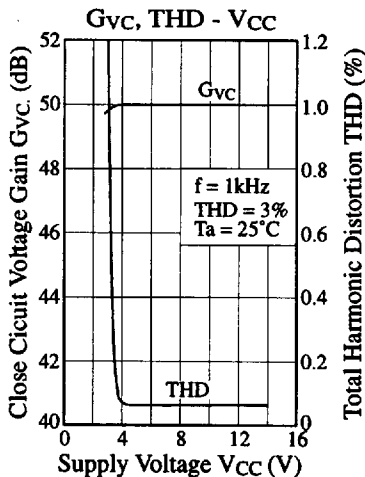
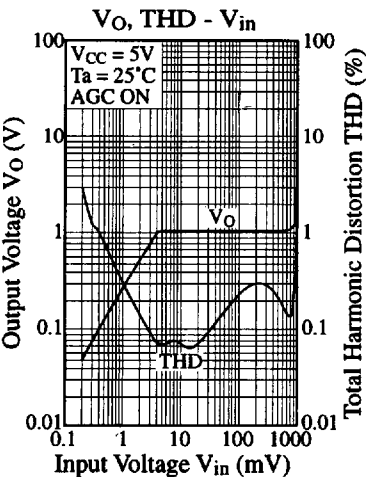
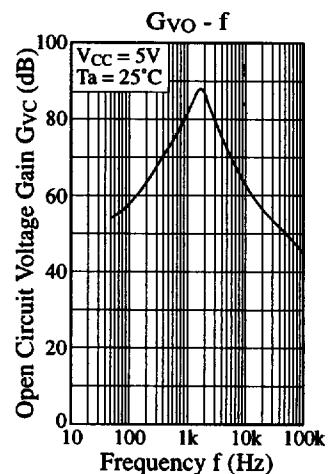
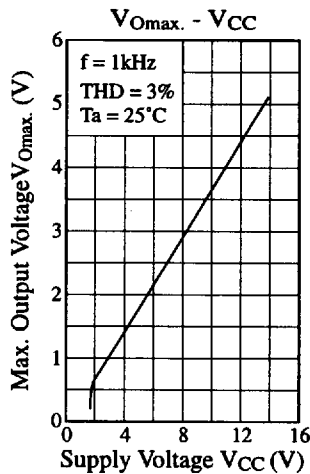
PB Amp.



Equalizer



Rec Amp.



■ Application Notes

(1) ALC Detector

The detector is built-in. ALC is cut-off during play-back by shorting Pin 11 to Ground. Pin 11 is connected with a condenser $33\mu\text{F}$ and a resistor $2.2\text{M}\Omega$ when this condenser charges up to about 1.4V during ALC operation, the output AC Voltage of the recording amps are maintained at 1V . (Frequency = 1kHz , $V_{\text{CC}} = 5.0\text{V}$, external resistor at Rec-amp. inputs = $5.6\text{k}\Omega$).

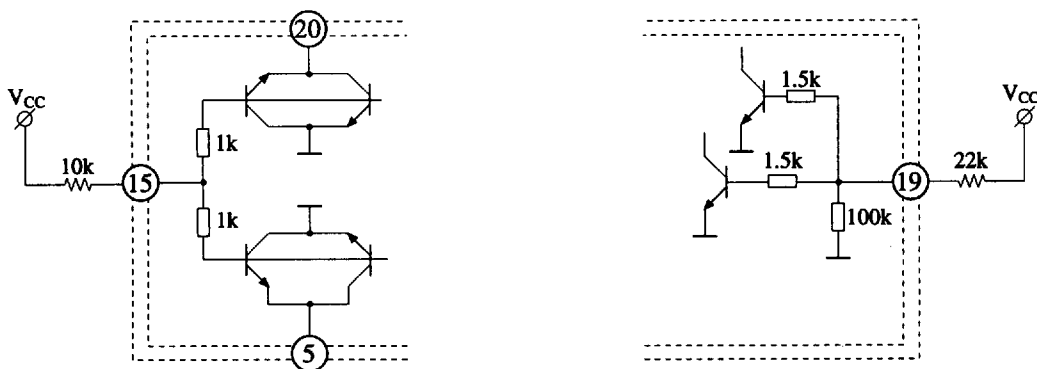
The ALC attack time is about 40ms , while the ALC recovery time is about 8s . These were found experimentally using the above conditions.

(2) Tape-Type Equalisation Control

When voltage at Pin 15 is 'High', tape playback response is for metal ($70\mu\text{s}$). When voltage at Pin 15 is 'Low', tape playback response is for normal tape ($120\mu\text{s}$). When voltage at Pin 15 is 'High', the internal switches at Pin 5 and 20 are shorted to Ground. Otherwise when Pin 15 is 'Low', these switches are opened.

Range of safe operating 'High' voltage for Pin 15 : $1.0\text{V} \leq \text{limits} \leq 12.0\text{V}$

There are $1\text{k}\Omega$ resistors internal at Pin 15 to limit the current. However, it is advisable to put an external resistor of $10\text{k}\Omega$ to reduce any switching noise.



(3) Pre-Source Control

When the voltage at Pin 19 is 'High', input signals at Pin 1 and 24 are selected for the pre-amps. When the voltage at Pin 19 is 'Low', input signals at Pin 2 and 23 are selected.

Similarly for safe operation 'High' voltage at Pin 19 : $1.0\text{V} \leq \text{limits} \leq 12\text{V}$

Also, if possible, use an external $22\text{k}\Omega$ resistor at Pin 19 to reduce any switching noise.