

WEBCM & WEBACM

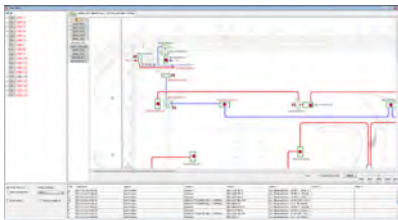
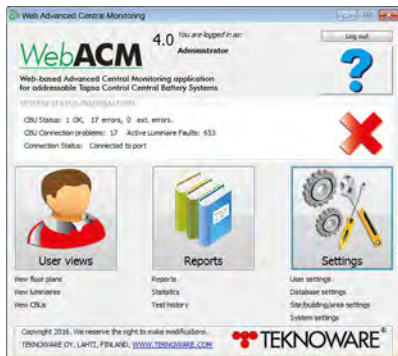
WebACM

Web Advanced Central Monitoring

CONTROLS CENTRAL BATTERY SYSTEMS NETWORK

NOTIFICATION OF ERROR SITUATIONS ARE SENT BY EMAIL

SHOWS THE LOCATION OF THE LUMINAIRES AND THE CENTRAL BATTERY SYSTEMS IN THE BUILDING



WEBCM SYSTEM

With the help of WebCM system the central battery system can be centrally controlled in the network, regardless of the location. The system includes a Web module, which is connected in the central battery system. Each central battery system has an IP address and a normal web browser functions as the user interface.

In its basic form, the system displays the status of the central battery systems and the connected luminaires, as well as the test log book. The user may also run luminaire and battery tests.

WebCM is available for addressable central battery systems in TKT65, TKT66, TKT67 and TKT68 series. The system does not require a separate software, a PC or a multimedia device with a web browser is sufficient.

WEBACM SOFTWARE

WebACM is an additional software for the WebCM system. It functions via Ethernet TCP/IP.

WebACM software enables the placement of luminaires and central battery systems on the buildings layout drawing.

WebACM needs Java supported software and PC with Internet connection. In fault situations, WebCM and WebACM send a notification automatically to e mail addresses specified by the user. Both can control centrally several addressable central battery systems and addressable luminaires.

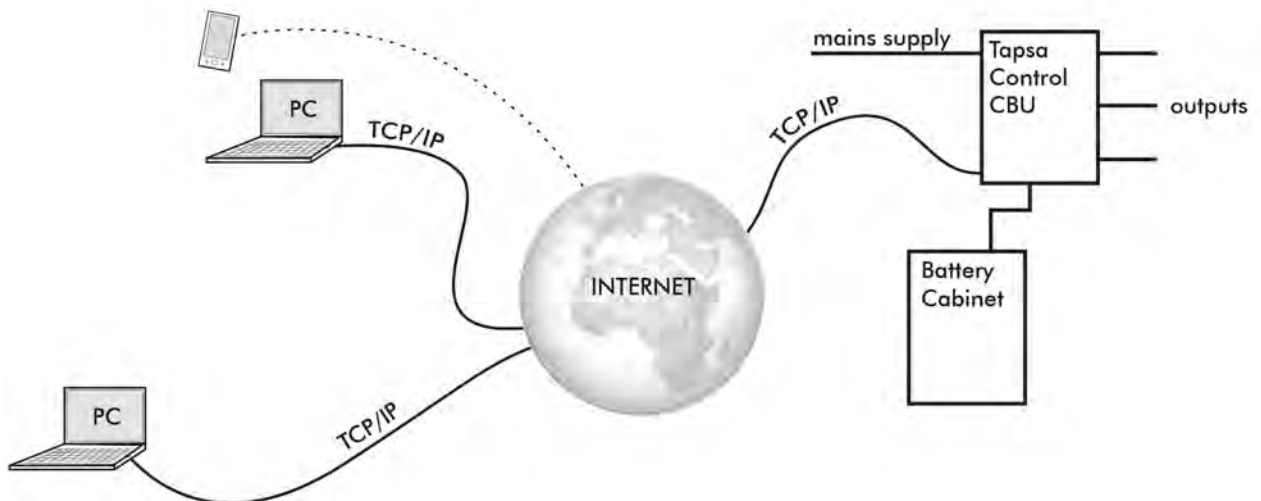
Both include control of tests, test log, central battery system status, various user levels and the login with a user name and password.

WebACM system can be connected to a BACnet building automation system.

Product code	Product description
TST5161	WebACM Software
TST5181	WebACM software BACnet Interface (max. 30 central battery systems)
TST5142	BACnet Interface (always to the next group 30 central battery systems)

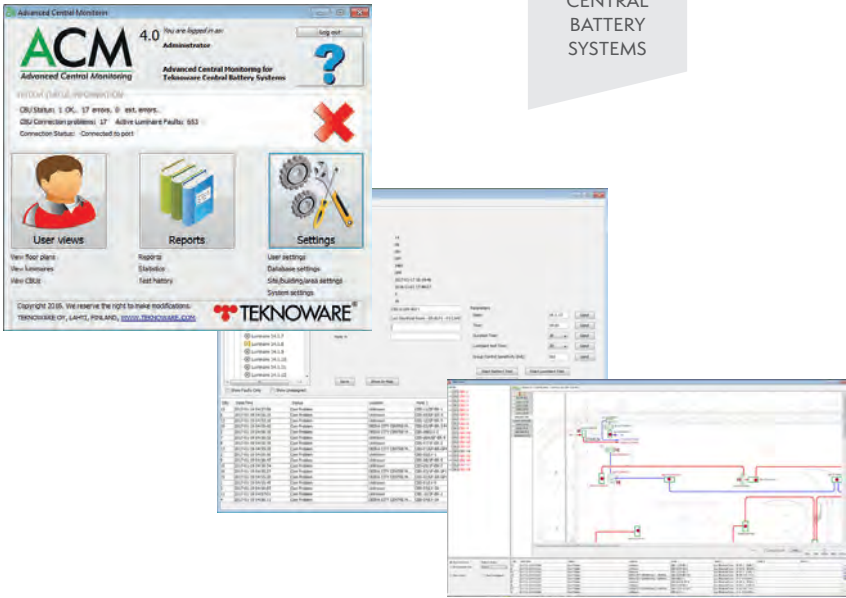
Product code	Product description	For
TST6724	WebCM/ WebACM Interface	TKT67xxC
TST6824	WebCM/ WebACM Interface	TKT68xxC
TST6624	WebCM/ WebACM Interface	TKT66xxC
TST6524	WebCM/ WebACM Interface	TKT65xxC

WebCM/ACM Interface connection with CAT 5/6 cable.





CONNECT UP TO 150 CENTRAL BATTERY SYSTEMS



ACM PC MONITORING SYSTEM

Teknoware's Advanced Central Monitoring (ACM) is a centralized remote monitoring system, using a separate network, for Teknoware's addressable central battery systems.

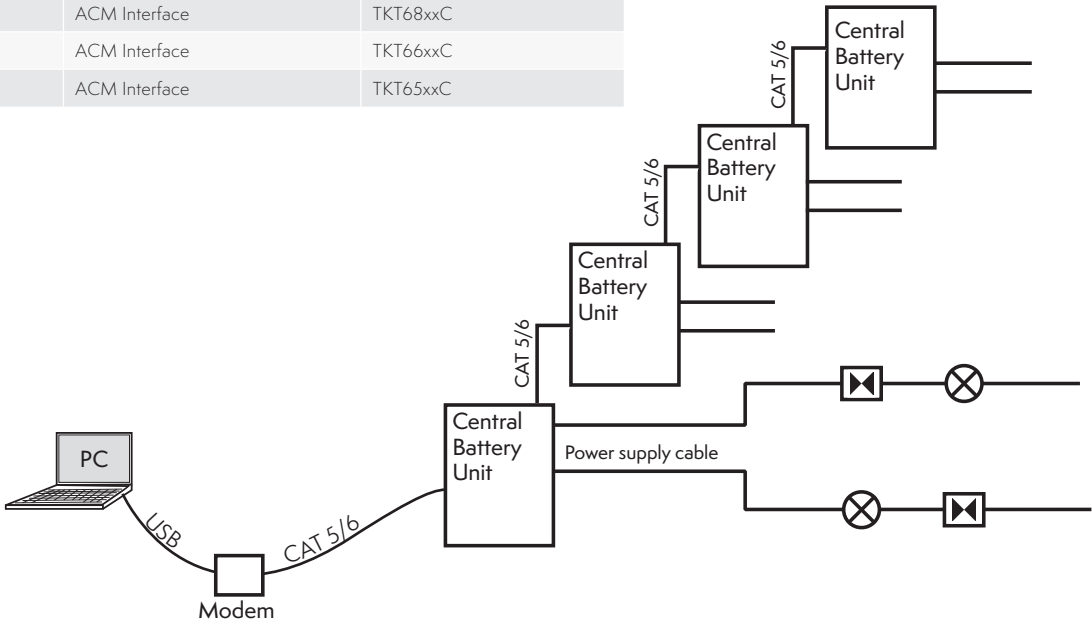
ACM uses RS485 protocol, which enables up to 1 km distance between the central battery system and the computer. 1-150 central battery systems can be connected into a single ACM system.

The condition of the central battery systems and the luminaires can be seen from the screen of the ACM remote management system software. The user may also run luminaire and battery tests. ACM automatically saves a test log book in accordance with the standard EN 50172.

From the computer with ACM, it is possible to connect e.g. to a building automation system using BACnet.

Product code	Product description
TST5131	ACM PC Software and modem
TST5141	ACM PC system with BACnet Interface
TST5142	BACnet Interface (always to the next group 30 central battery systems)

Product code	Product description	For
TST6721	ACM Interface	TKT67xxC
TST6821	ACM Interface	TKT68xxC
TST6621	ACM Interface	TKT66xxC
TST6521	ACM Interface	TKT65xxC



- = non-maintained emergency luminaire
- = maintained exit luminaire

PC with ACM software is connected to a modem with a USB cable, extension from the modem to the central battery unit is done with CAT 5/6 cable.

BACNET

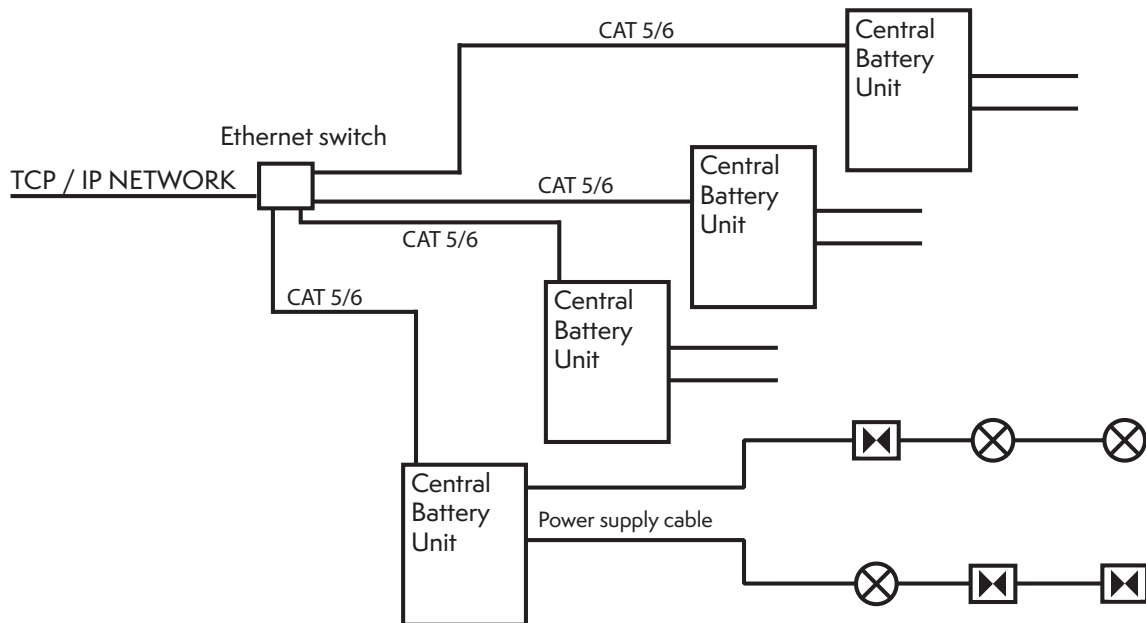
Product code	Product description	For
TST6701	BACnet Interface	TKT67xxC
TST6823	BACnet Interface	TKT68xxC
TST6601	BACnet Interface	TKT66xxC
TST6501	BACnet Interface	TKT65xxC



BACNET INTEGRATION

If the central battery system has a BACnet module, it provides a direct interface to a building automation system. In BACnet integration, all the information of the central battery system, which is imported into BACnet as objects, are available.

Teknoware's interface is the BACnet module, which transmits the BACnet objects from the central battery system and the luminaires. Battery and luminaire tests can also be initiated in this way.

BACnet system is commonly used through a third party user interface.



-  = non-maintained emergency luminaire
-  = maintained exit luminaire

| BACnet Interface with CAT 5/6 cable.

LON

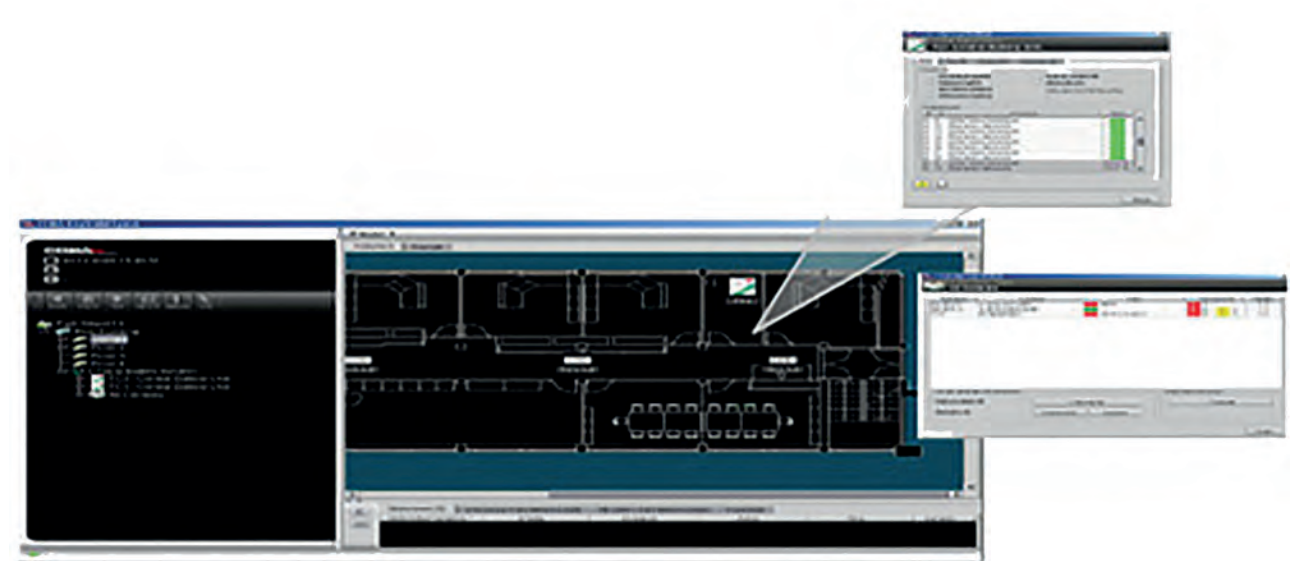
Product code	Product description	For
TST6722	LON Interface	TKT67xxC
TST6822	LON Interface	TKT68xxC
TST6622	LON Interface	TKT66xxC
TST6522	LON Interface	TKT65xxC
XKT2301	LON Interface	TK23xxC

PC also requires separate COBA software

LON central monitoring solution is based on the COBA Building Operating System, which offers a standard open platform for building automation and security systems.

The LON interface also makes it possible to access all information from the field, in a centralised manner.

The system consists of an open LON network and a server, which link the Central Battery Systems together.



LON interface connection with 2 C LON cable

