

---

# Digital I/O

## Daughter Board

---

### User Manual

#### **Warranty**

All products manufactured by ICP DAS are warranted against defective materials for a period of one year from the date of delivery to the original purchaser.

#### **Warning**

ICP DAS assume no liability for damages consequent to the use of this product. ICP DAS reserves the right to change this manual at any time without notice. The information furnished by ICP DAS is believed to be accurate and reliable. However, no responsibility is assumed by ICP DAS for its use, nor for any infringements of patents or other rights of third parties resulting from its use.

#### **Copyright**

Copyright 1999 by ICP DAS. All rights are reserved.

#### **Trademark**

The names used for identification only maybe registered trademarks of their respective companies.

---

---

# **Contents**

<b>1.</b>	<b><i>DIO Daughter Board</i></b> .....	<b>4</b>
1.1.	How to select daughter board .....	4
1.2.	Selection Table.....	5
<b>2.</b>	<b><i>DB-16R</i></b> .....	<b>7</b>
2.1.	Features.....	7
2.2.	Specifications .....	8
2.3.	DB-16R's Layout .....	9
2.4.	Jumper Setting .....	9
2.5.	Pin Assignment.....	10
<b>3.</b>	<b><i>DB-24R / DB-24RD</i></b> .....	<b>11</b>
3.1.	Features.....	11
3.2.	Specification.....	12
3.3.	Layout .....	13
3.4.	Pin-Assignments .....	14
<b>4.</b>	<b><i>DB-24PR / DB-24PRD</i></b> .....	<b>16</b>
4.1.	Features.....	16
4.2.	Specifications .....	17
4.3.	Applications .....	18
4.4.	DB-24PR Power relay board Layout.....	18
4.5.	Pin Assessment.....	19
<b>5.</b>	<b><i>DB-24C 24-Channel Open-Collector Output Board</i></b> .....	<b>21</b>
5.1.	Features.....	21
5.2.	Applications .....	22
5.3.	Specification.....	22
5.4.	Board Layout.....	24
5.5.	Block Diagram.....	25
<b>6.</b>	<b><del><i>DB-24POR 24-Channel Photo Output Board</i></del></b> .....	<b><del>26</del></b>

6.1.	Features.....	26
6.2.	Applications .....	27
6.3.	Specification.....	27
6.4.	Board's Layout .....	27
6.5.	Block diagram .....	30
7.	<i>DB-24SSR 24-Channel Solid State Relay Board.....</i>	<i>31</i>
7.1.	Features.....	31
7.2.	Applications .....	32
7.3.	Specification.....	32
7.4.	Layout .....	33
7.5.	Block Diagram.....	34
7.6.	3.6 Wiring Diagram .....	34
7.7.	Pin Assignment.....	35
8.	<i>DB-16P 16 Opto-Isolated Digital Input Terminal Board .....</i>	<i>36</i>
8.1.	Features.....	36
8.2.	Specifications .....	36
8.3.	Applications .....	37
8.4.	Layout .....	38
8.5.	Jumper setting.....	38
8.6.	Isolated Input .....	39
8.7.	Pin Assignment.....	40
9.	<i>DB-24P 24 Photo-Isolated Digital Input Terminal Board.....</i>	<i>41</i>
9.1.	Features.....	41
9.2.	Applications .....	41
9.3.	Specification.....	42
9.4.	Layout .....	43
9.5.	Jumper setting.....	44
9.6.	Isolated Input .....	45

---

---

<b>10.</b>	<b><i>Configuration</i></b> .....	<b>48</b>
<b>10.1.</b>	<b>Connect to DIO Board</b> .....	<b>48</b>
<b>10.2.</b>	<b>DIN-Rail Mounting</b> .....	<b>52</b>



---

---

# 1. DIO Daughter Board

We provide all kind magnetic relay, SSR, open-collector, photo-mos relay and isolated digital input, daughter boards for I/O control applications.

## 1.1. How to select daughter board

You must make sure which digital I/O board you choose and what kind applications you designed. Then select suitable daughter board.

### ■ Selection criteria for output type daughter board

1. Type of contact load  
AC or DC? ; Resistive or inductive or capacitate or lamp? ; Occurrence of back electromotive force or inrush current?
2. Level of contact load.  
Power load or small signal?
3. Coil rated voltage  
12Vdc or 24Vdc?
4. Frequency in switching operation
5. Demand for life in switching operation
6. Connector type of digital I/O board  
20-pin or 50-pin Flat cable or D-sub cable?
7. Mounting  
Panel mounting or DIN-rail mounting

### ■ Selection criteria for input type daughter board

1. Type of input signal  
AC or DC? Dry contact or wet contact?
2. Level of input signal
3. Connector type of digital I/O board  
20-pin or 50-pin Flat connector or D-sub connector?
4. Mounting  
Panel mounting or DIN-rail mounting

## 1.2. Selection Table

### Output Type Daughter Board

Spec.	DB-16R	DB-24R	DB-24RD
Type	Magnetic Relay	Magnetic Relay	Magnetic Relay
Contact Arrangement (Each channel )	1c(1 Form C)	1C(1 Form C)	1C(1Form C)
Channel number	16	24	24
Contact rating	0.5A/120VAC 1A/30VDC	0.5A/120VAC 1A/30VDC	0.5A/120VAC 1A/30VDC
Expected Life (Rated Load)	200,000t	200,000t	200,000t
Coil rate voltage	12V (*1)	12V: DB-24R/12 24V: DB-24R/24	12V: DB-24RD/12 24V: DB-24RD/24
Connector	20-pin header	50-pin header	50-pin header & 37-pin D-sub connector
DIN-Rail Mounting	No	DB-24R/12/DIN DB-24R/24/DIN	DB-24RD/12/DIN DB-24RD/24/DIN
Page Catalog Vol 4	P79	P80	P80

Spec.	DB-24PR	DB-24PRD	DB-24C
Type	Magnetic Relay	Magnetic Relay	Open-collector
Contact Arrangement (Each channel )	1C(1 Form C) x 8 1A(1 Form A) x 16	1C(1 Form C) x 8 1A(1 Form A) x 16	NPN
Channel number	24	24	24
Contact rating	5A/250VAC 5A/30VDC	5A/250VAC 5A/30VDC	(100mA/30Vdc)x16 (600mA/30Vdc)x8
Expected Life (Rated Load)	200,000t	200,000t	Very Long life Maintenance free
Coil rate voltage	12V: DB-24PR/12 24V: DB-24PR/24	12V: DB-24PRD/12 24V: DB-24PRD/24	External Power supply : 30 Vdc max.
Connector	20-pin header 50-pin header	50-pin header & 37-pin D-sub connector	20-pin header & 50-pin header & 37-pin D-sub connector
DIN-Rail Mounting	DB-24PR/12/DIN DB-24PR/24/DIN	DB-24PRD/12/DIN DB-24PRD/24/DIN	DB-24C/DIN DB-24C/D/DIN
Page Catalog Vol 4	P81	P81	P85

<b>Spec.</b>	<b>DB-24SSR</b>	<b>DB-24POR</b>	<b>DB-16P8R (*)</b>
<b>Type</b>	Solid-state Relay	PhotoMos Relay	Magnetic Relay
<b>Contact Arrangement (Each channel )</b>	1A (1 Form A)	1A (1 Form A)	1C (1 Form C)
<b>Channel number</b>	24	24	8
<b>Contact rating</b>	4A / 50-250VAc		(100mA/30Vdc)x16 (600mA/30Vdc)x8
<b>Expected Life (Rated Load)</b>	200,000t	200,000t	30,000t
<b>Coil rate voltage</b>	12V: DB-24PRD/12 24V: DB-24PRD/24	12V: DB-24PRD/12 24V: DB-24PRD/24	24V only
<b>Connector</b>	20-pin header 50-pin header	50-pin header & 37-pin D-sub connector	20-pin header & 50-pin header & 37-pin D-sub connector
<b>DIN-Rail Mounting</b>	DB-24SSR/DIN DB-24SSR/D/DIN DB-24SSR/D/P/DIN	DB-24POR/DIN DB-24POR/D/DIN	DB-16P8R/DIN DB-16P8R/D/DIN
<b>Page Catalog Vol. 4</b>	P86	P83	P84

### Input Type Daughter Board

<b>Spec.</b>	<b>DB-16P</b>	<b>DB-24P</b>	<b>DB-24PD</b>
<b>Type</b>	Optically Isolated	Optically Isolated	Optically Isolated
<b>Channels</b>	16	24	24
<b>Input Range</b>	5~24V DC/AC	5~24V DC/AC	5~24V DC/AC
<b>Input Impedance</b>	1.2K ohm	1.2K ohm	1.2K ohm
<b>connector</b>	20-pin header	50-pin header	50-pin header 37-pin D-sub connector
<b>DIN-Rail Mounting</b>	No	DB-24P/DIN	DB-24PD/DIN
<b>Page Catalog Vol.4</b>	P78	P82	P82

<b>Spec.</b>	<b>DB-16P8R</b>
<b>Type</b>	Optically isolated or dry contact
<b>Channels</b>	16
<b>Input Range</b>	5~24V DC or Dry contact
<b>Input Impedance</b>	1.2K ohm
<b>connector</b>	50-pin header, 37-Pin D-sub connector
<b>DIN-Rail Mounting</b>	DB-16P8R/DIN or DB-16P8R/D/DIN
<b>Page Catalog Vol.4</b>	P84

(\*) DB-16P8R :

16-channel isolated digital input and 8-channel relay output daughter board

---

## 2. DB-16R

---

The DB-16R, 16 channel Relay Output Board, consists of 16 form c relays for efficient switch of load by programmed control. It is connector and functionally compatible with 785 series board but with industrial type terminal block. The DB-16R can be connected to DIO-64, A-626, A82x DAS board and PCI-series multi-function board or any other compatible DAS board. The relay are energized by apply 5 volt signal to the appropriate relay channel on the 20-pin flat cable connector. 16 enunciator LEDs, one for each relay, light when their associated relay is activated. To avoid overloading your PC's power supply, this board provides a screw terminal for external power supply.

### 2.1. Features

16-channel relay output board

- 16 Form C Relays
- Accept 20-pin connector to control 16 form c relays, for use with A-82X, A-62X, DIO-64, PCI-1800, PCI-1200, PCI-1002 series digital output port or any compatible digital output port.
- LED status indicator
- Screw terminals for field wiring.

---

---

## 2.2. Specifications

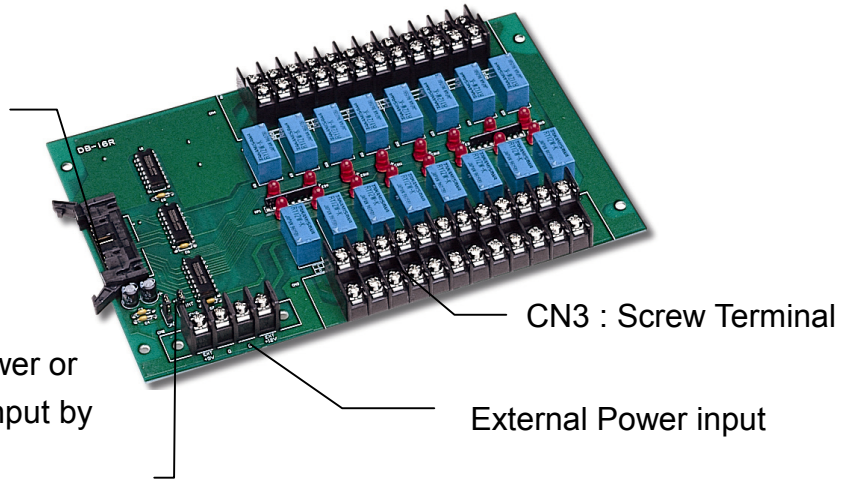
- Type : form c
- Nominal load :.....0.5 A/120VAC , 1A /24VDC
- Max. Switching Power : .....60VA,24W
- Max. Switching Voltage : .....120VAC , 60VDC
- Max. Switching Current : .....1A
- Life Expectancy : .....Electrical (20 Millions Times )
- Time Value : Operate .....6ms
- Release .....3ms
- Control Logic : .....Input TTL high (+5V) , relay on
- Power consumption : .....12 V /0.53A ; 5V /0.2 A
- Dimensions: .....8 inch ( 205mm) x 4.5 inch (114mm)
- Operating Temperature :..... 0 - 60°C
- Storage Temperature : .....0-60°C
- Humidity : .....5% to 90% Non condensing

---

## 2.3. DB-16R's Layout

CN1 : 20-Pin header

PC's Internal Power or External power input by jumper selection

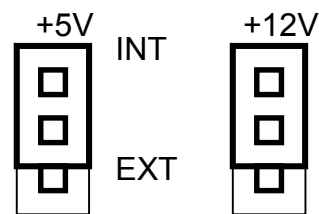


CN3 : Screw Terminal

External Power input

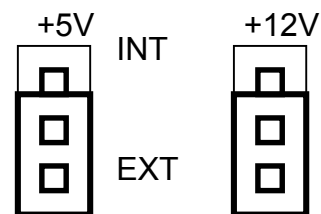
## 2.4. Jumper Setting

DB-16R PC's internal power or external power input by jumper selection.



Select Internal Power

\*Default Setting



Select External Power

Note: INT: Internal Power Source  
EXT: External Power Source

Don't install too much DB-16R in one PC if the jumper is set in the internal power.

Some PC's power supply is small and used to power PC only. The power supply will be damaged, if install too much DB-16R and using internal power. You should calculate the power consumption of DB-16R and to make sure which setting is better.

---

## 2.5. Pin Assignment

The CN1 is 20-pin header linked to TTL digital I/O board via 20-pin flat cable.  
 The CN2 is an external power input connector for external power input wiring.  
 The CN3 and CN4 are relay contact screw terminal blocks.

### DB-16R -CN1 : 20 Pin connector

DO0	1	2	DO1
DO2	3	4	DO3
DO4	5	6	DO5
DO6	7	8	DO7
DO8	9	10	DO9
DO10	11	12	DO11
DO12	13	14	DO13
DO14	15	16	DO15
D.GND	17	18	D.GND
+5V	19	20	+12V

### CN2: External Power Input Connector

+5V	GND	GND	+12V
-----	-----	-----	------

**Note :** Don't wiring to external power input connector if the power selection jumper setting in < INT > position.

### CN3 Relay contact terminal block

8	NO	NC	CM	1	NO	NC	CM	1	NO	NC	CM	1	NO	NC	CM
				0				2				4			
9	NO	NC	CM	11	NO	NC	CM	1	NO	NC	CM	1	NO	NC	CM
								3				5			

### CN4 Relay contact terminal block

1	NO	NC	CM	3	NO	NC	CM	5	NO	NC	CM	7	NO	NC	CM
0	NO	NC	CM	2	NO	NC	CM	4	NO	NC	CM	6	NO	NC	CM

---

---

## 3. DB-24R / DB-24RD

The DB-24R / DB-24RD, 24 channel Relay Output Board, consists of 24 form C relays for efficient switch of load by programmed control. The DB-24R can be connected to DIO-24, DIO-48, DIO-D96, DIO-144, PIO-D144, PIO-D96 and PIO-D48 and any other OPTO-22 compatible Digital I/O board. The relays are energized by apply 5 volt signal to the appropriate relay channel on the 50-pin header or 37-pin D-sub connector (DB-24RD). Twenty-four enunciator LEDs, one for each relay, light when their associated relay is activated. This board provides a screw terminal for external power supply.

### 3.1. Features

#### ■ DB-24R

- 24 Form C Relays.
- Contact rate up to 0.5A/120Vac , 1A/30Vdc
- Accept 50-pin OPTO-22 compatible header, For DIO-24, DIO-48, DIO-144 and PIO-series digital output port or any OPTO-22 compatible digital output port.
- LED indicate relay status.
- Screw terminals for filed wiring.

#### ■ DB-24RD

- Accept 50-pin header and 37-pin D-sub connector
  1. Accept 50-pin OPTO-22 compatible header, For DIO-24, DIO-48 , DIO-144 and PIO-series digital output port or any OPTO-22 compatible digital output port.
  2. The 37-pin D-sub connector can be directly connected to PIO-D144, PIO-D96, PIO-D48, PIO-D56 and PIO-D24.
- 24 Form C Relays.
- Contact rate up to 0.5A/120Vac , 1A/30Vdc
- LED's indicate relay status.
- Screw terminals for filed wiring.



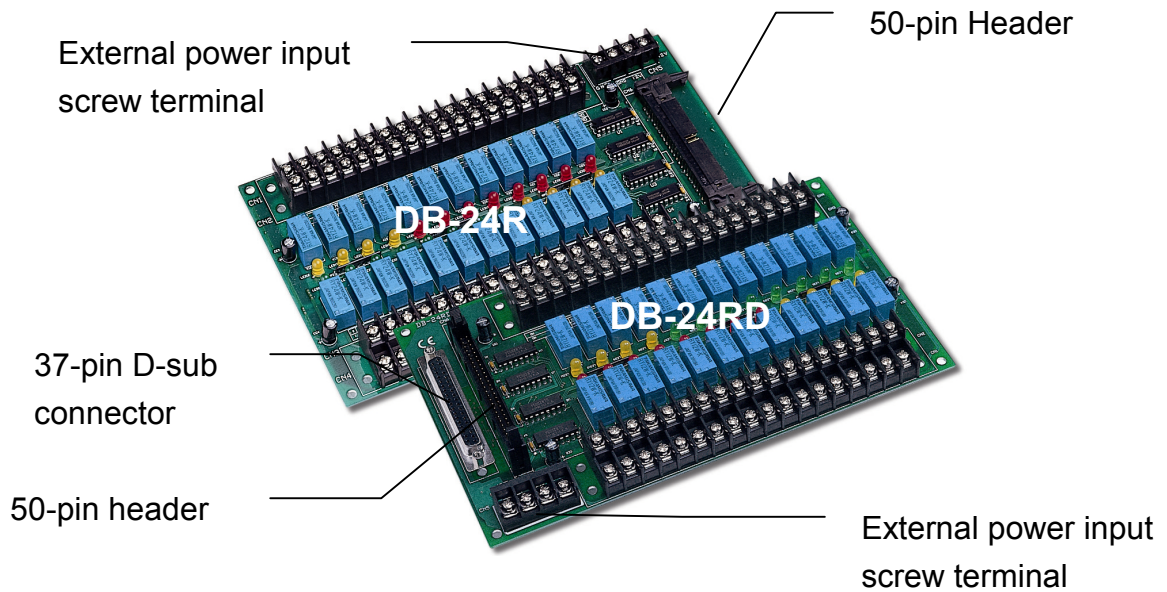
---

---

## 3.2. Specification

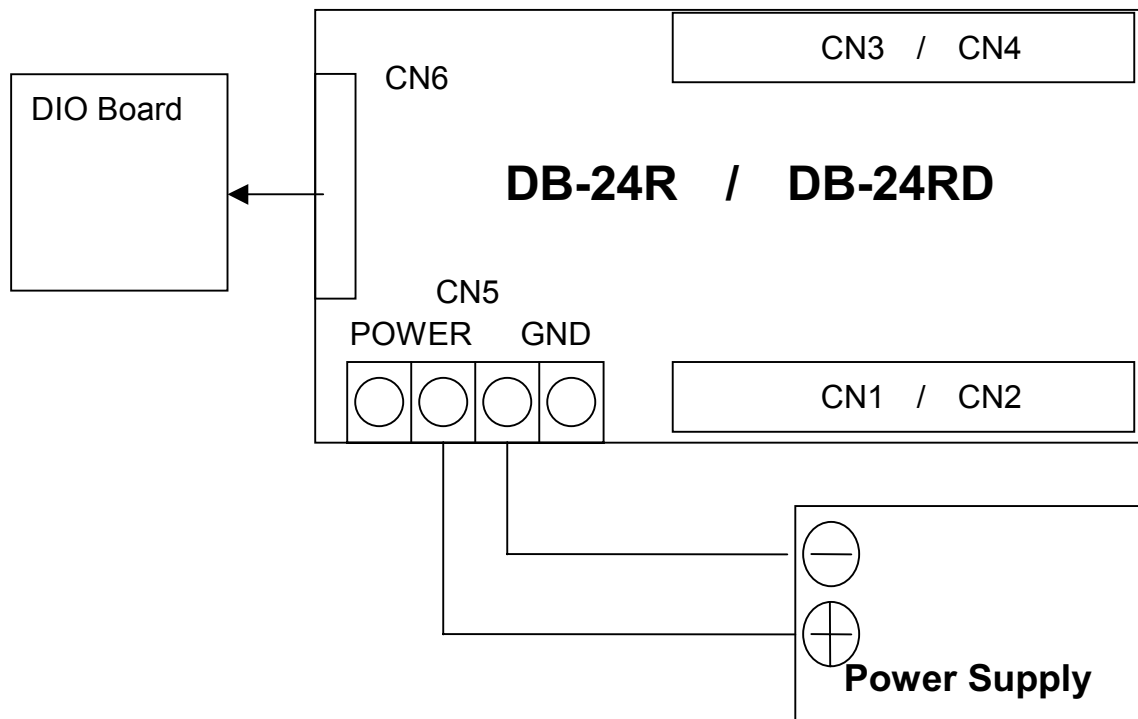
- Type : form c
- Nominal load :.....0.5 A/120VAC , 1A /24VDC
- Max. Switching Power : .....60VA,24W
- Max. Switching Voltage : .....120VAC , 60VDC
- Max. Switching Current : .....1A
- Life Expectancy : .....Electrical (20 Millions Times )
- Time Value : Operate .....6ms
- Release .....3ms
- Control Logic : .....Input TTL high (+5V) , relay on
- Power consumption : .....12 V /0.53A ; 5V /0.2 A
- Dimensions : .....8 inch ( 205mm) x 4.5 inch (114mm)
- Operating Temperature :..... 0 - 60°C
- Storage Temperature : .....0-60°C
- Humidity : .....5% to 90% Non condensing

### 3.3. Layout



DB-24PR and DB-24R support external power supply only.

**DB-24R/12V, B-24RD/12V for DC 12V external power supply**  
**DB-24R/12V, DB-24RD/24V for DC 24V external power supply**

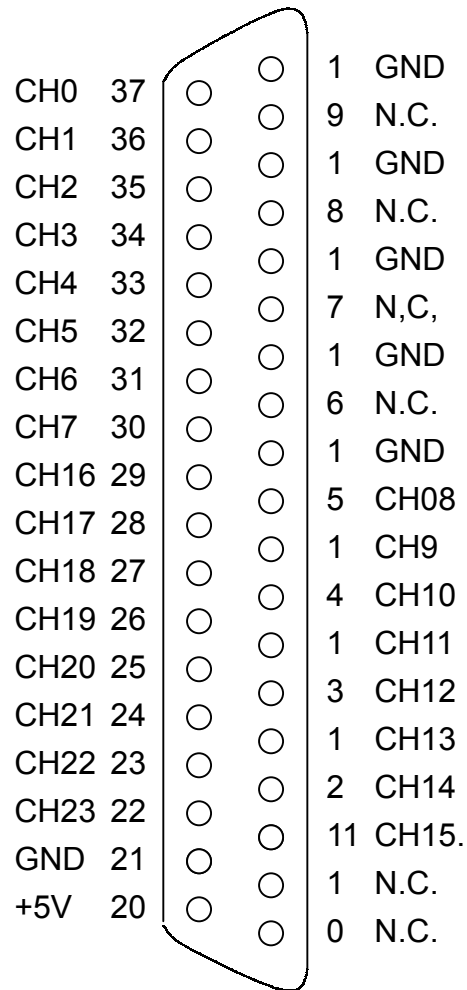


## 3.4. Pin-Assignments

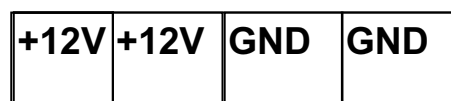
CN6: OPTO-22 50-Pin Header Pin assignment for DB-24R and DB-24RD

GND	50	○	○	49	+5V input
GND	48	○	○	47	CH0
GND	46	○	○	45	CH1
GND	44	○	○	43	CH2
GND	42	○	○	41	CH3
GND	40	○	○	39	CH4
GND	38	○	○	37	CH5
GND	36	○	○	35	CH6
GND	34	○	○	33	CH7
GND	32	○	○	31	CH8
GND	30	○	○	29	CH9
GND	28	○	○	27	CH10
GND	26	○	○	25	CH11
GND	24	○	○	23	CH12
GND	22	○	○	21	CH13
GND	20	○	○	19	CH14
GND	18	○	○	17	CH15
GND	16	○	○	15	CH16
GND	14	○	○	13	CH17
GND	12	○	○	11	CH18
GND	10	○	○	9	CH19
GND	8	○	○	7	CH20
GND	6	○	○	5	CH21
GND	4	○	○	3	CH22
GND	2	○	○	1	CH23

CN7 : 37-pin D-sub connector  
Pin-Assignment for DB-24RD only



**CN5 : External Power Connector**



**Note : Input DC+12V power for optional 12V version**

**~~Input DC+24V power for optional 24V version~~**

---

## CN 1 /CN 2 : Screwing terminal

CH 12	CH 14	CH 16	CH 18	CH 20	CH 22
CH 13	CH 15	CH 17	CH 19	CH 21	CH 23

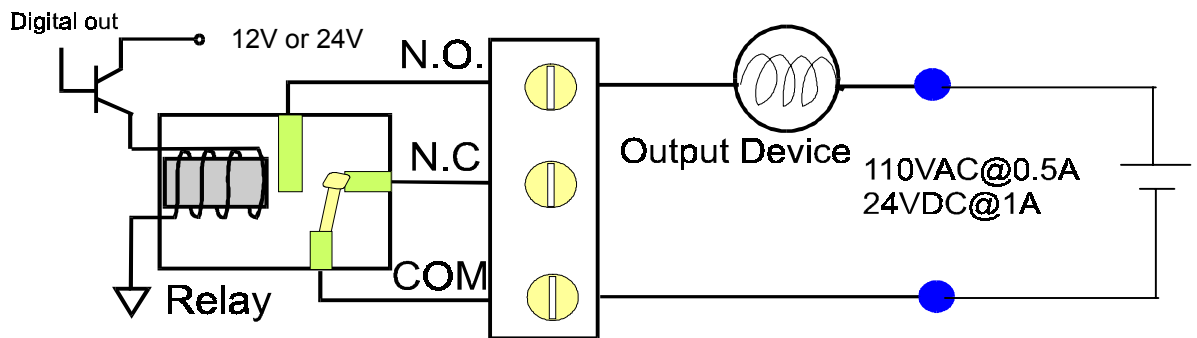
## CN 3 / CN 4 : Screwing terminal

CH 0	CH 2	CH 4	CH 6	CH 8	CH 10
CH 1	CH 3	CH 5	CH 7	CH 9	CH 11

### Each Channel

CH 0~23		
MC(common)	NC(normal close)	NO(normal open)_

### Form C Relay



---

---

## 4. DB-24PR / DB-24PRD

The DB-24PR / DB-24PRD, 24 channel power relay output board, consists of 8 form C & 16 form A electromechanical relays for efficient switching of load by programmed control. The contact of each relay can control a 5A load at 250VAC/30VDC. The relays are energized by applying 5V voltage signal to the appropriated relay channel on the 20-pin header (DB-24PR only), 50-pin header and 37-pin D-sub connector (DB-24PRD only). Twenty-four enunciator LEDs, one for each relay, light when their associated relay is activated. To avoid overloading your PC's power supply, this board provides a screw terminal for power supply. CN1, CN2, CN3 and CN4 are terminal blocks to connect with wiring. The CN7 is used to connect with DIO-24, DIO-48, DIO-144 or any OPTO-22 compatible digital output port. The CN6 is used to connect with A-82XPG series PCI-1800 series ISO-DA series, DIO-64 or any compatible digital output port. The DB-24PRD has one 37-pin D-sub connector. The 37-pin D-sub connector can be directly connected to PIO-D144, PIO-D96, PIO-D48 and PIO-D24's 37-pin D-sub connector.

### 4.1. Features

#### ■ DB-24PR

- 16 form A relays, 8 form C relays.
- DB-24PR accept two kind connectors:
  - CN6 accepts 20-pin header to control 8 form C (channel 0~7) relays and 8 form A relays (channel 8~15).
  - CN5 accepts 50-pin header to control 8 form C relays and 16 form A relays.
- Each varistor protect one contact.
- LED indicate relay status.

#### ■ DB-24PRD

- DB-24PRD accept two kind connectors:
  - One 37-pin D-sub connector for PIO-D144, PIO-D96, PIO-D48, PIO-D56 and PIO-D24 digital I/O boards
  - One 50-pin header for DIO-144, DIO-96, DIO-48 and DIO-24 digital I/O boards.

~~Other features are the same as DB-24PR.~~

---

---

## 4.2. Specifications

- Form A relays

Type : 1 form A (SPST-NO)

Rating :

Nominal Load .....5A 250VAC or 30VDC

Max. Switching Power..... 90W

Max Switching Voltage.....270VAC,150VDC.

Max. Switching Current.....5A

Life expectancy:

Mechanical.....20 millions operations

Time Value:

Operate.....10ms

Release.....5ms

- Form C Relays

Type : 1 form C ( SPDT )

Rating :

Nominal Load ..... 250VAC / 5A.

MAX. Switching Power.....1,250VA(NO) , 750VA(NC)

MAX. Switching Voltage.....250VAC , 150VDC

MAX. Switching Current .....5A

Life expectancy:

Mechanical ..... 10 millions operations

Time Value:

Operate.....10ms

Release.....5ms

- Varistor:

Power consumption:

Min : .....2.5uA ( All relays off )

Max : .....0.5 A (All relays On )

1 relay On : ..... 22mA

- Dimensions: 1339 (W) mm X 220 (D) mm

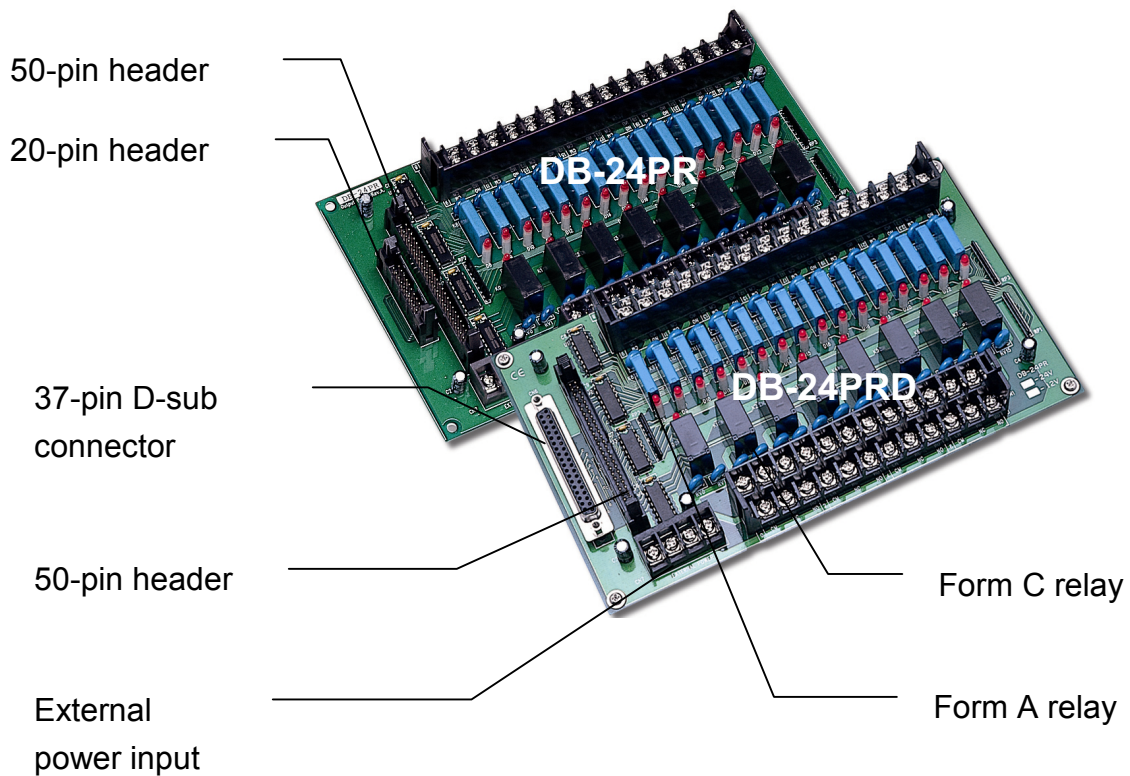
---

## 4.3. Applications

- Test Automation
- Laboratory & Factory Automation
- On/Off Control

## 4.4. DB-24PR Power relay board

### Layout



Note :

DB-24R , DB-24RD , DB-24PR , DB-24PRD provides external power input only.

The input power has two versions:

External Power +12Vdc input for 12V Version

External Power +24Vdc input for 24V version

## 4.5. Pin Assessment

### CN6: 20-pin header (DB-24PR only)

DO0	1	2	DO1
DO2	3	4	DO3
DO4	5	6	DO5
DO6	7	8	DO7
DO8	9	10	DO9
DO10	11	12	DO11
DO12	13	14	DO13
DO14	15	16	DO15
D.GND	17	18	D.GND
+5V	19	20	+12V

### CN5 : 50-pin header ( DB-24PR & DB-24PRD )

GND	50	○	○	49	+5V input
GND	48	○	○	47	CH0
GND	46	○	○	45	CH1
GND	44	○	○	43	CH2
GND	42	○	○	41	CH3
GND	40	○	○	39	CH4
GND	38	○	○	37	CH5
GND	36	○	○	35	CH6
GND	34	○	○	33	CH7
GND	32	○	○	31	CH8
GND	30	○	○	29	CH9
GND	28	○	○	27	CH10
GND	26	○	○	25	CH11
GND	24	○	○	23	CH12
GND	22	○	○	21	CH13
GND	20	○	○	19	CH14
GND	18	○	○	17	CH15
GND	16	○	○	15	CH16
GND	14	○	○	13	CH17
GND	12	○	○	11	CH18
GND	10	○	○	9	CH19
GND	8	○	○	7	CH20
GND	6	○	○	5	CH21
GND	4	○	○	3	CH22
GND	2	○	○	1	CH23

### CN6: 37-pin D-sub connector ( DB-24PRD only )

CH0	37	○	○	19	GND
CH1	36	○	○	18	N.C.
CH2	35	○	○	17	GND
CH3	34	○	○	16	N.C.
CH4	33	○	○	15	GND
CH5	32	○	○	14	N,C,
CH6	31	○	○	13	GND
CH7	30	○	○	12	N.C.
CH16	29	○	○	11	GND
CH17	28	○	○	10	CH08
CH18	27	○	○	9	CH9
CH19	26	○	○	8	CH10
CH20	25	○	○	7	CH11
CH21	24	○	○	6	CH12
CH22	23	○	○	5	CH13
CH23	22	○	○	4	CH14
GND	21	○	○	3	CH15.
+5V	20	○	○	2	N.C.
		○	○	1	N.C.



---



---

## CN1 : Screw terminal

CH0			CH2			CH4			CH6		
CM	NC	NO	CM	NC	NO	CM	NC	NO	CM	NC	NO

## CN2 : Screw terminal

CH1			CH3			CH5			CH7		
CM	NC	NO	CM	NC	NO	CM	NC	NO	CM	NC	NO

## CN3 : screw terminal

CH23	CH21	CH19	CH17	CH15	CH13	CH11	CH9
NO	CM	NO	CM	NO	CM	NO	CM
NO	CM	NO	CM	NO	CM	NO	CM

## CN4 : screw terminal

CH22	CH20	CH18	CH16	CH14	CH12	CH10	CH8
NO	CM	NO	CM	NO	CM	NO	CM
NO	CM	NO	CM	NO	CM	NO	CM

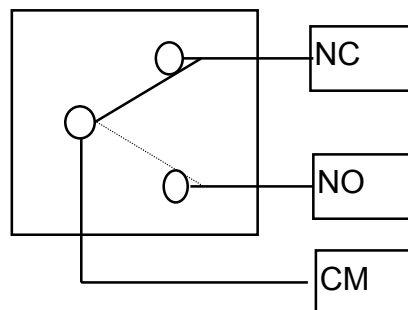
## Note :

### FOR Channel 0 ~ 7 Form C Relay screw terminals

CM : Common

NC : Normal Close

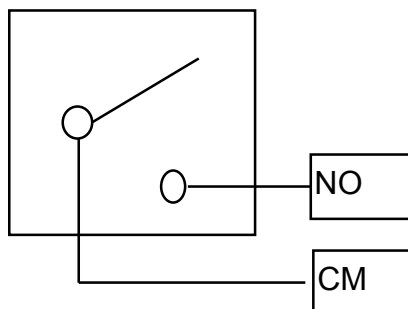
NO : Normal Open



### For Channel 8 ~24 Form A Relay screw terminal

CM : Common

NO : Normal Open



---

---

## 5. DB-24C 24-Channel

### Open-Collector Output Board

The DB-24C has 24 channels of optically isolated digital outputs, arranged into four isolated banks. Each digital output offers a darlington transistor and integral suppression diode for inductive load. The board interface to field logic signals, eliminating ground-loop problems and isolating the host computer from damaging voltages. The DB-24C has one 37-pin D-sub connector, One 50-pin OPTO-22 compatible male header and one 20-pin male header. The transistor is energized by applying a 5-voltage signal to the appropriate input channels on the 50-pin header or 20-pin header or 37-pin D-sub connector. Twenty-four enunciator LEDs, one for each transistor, light when their associated transistor is activated. Because there is a 37-pin D-sub connector on the board, the user may use it to interface to any TTL output board. In other words, the user may use it as a general purpose open-collector output board

#### 5.1. Features

- Group A (low nibble) and Group B (high nibble) has 4-channel high current open-collector output each. The maximum load is 600mA per channels
- Group A (high nibble), Group B (low nibble), C (byte) and Group D has 8-channel open-collector output each. The maximum load is 100mA per channels.
- Accept 20-pin connector to control 8 high current output channel and 8 low current output channels.
- LEDs indicate each channel and power status.
- 3,750V optical isolation
- 5Vdc logic levels

## 5.2. Applications

- Leds indicate the status of transistor
- Screw terminals for easy field wiring
- OPTO-22 Compatible connector.
- D-sub connector 37-pin connector connects directly to PIO-D144, PIO-D96 and PIO-D24 board or another OPTO-22 board with ADP-37 adapter

## 5.3. Specification

The maximum loading current of each high current output channel: 600mA

The maximum loading current of each low current output channel: 100mA

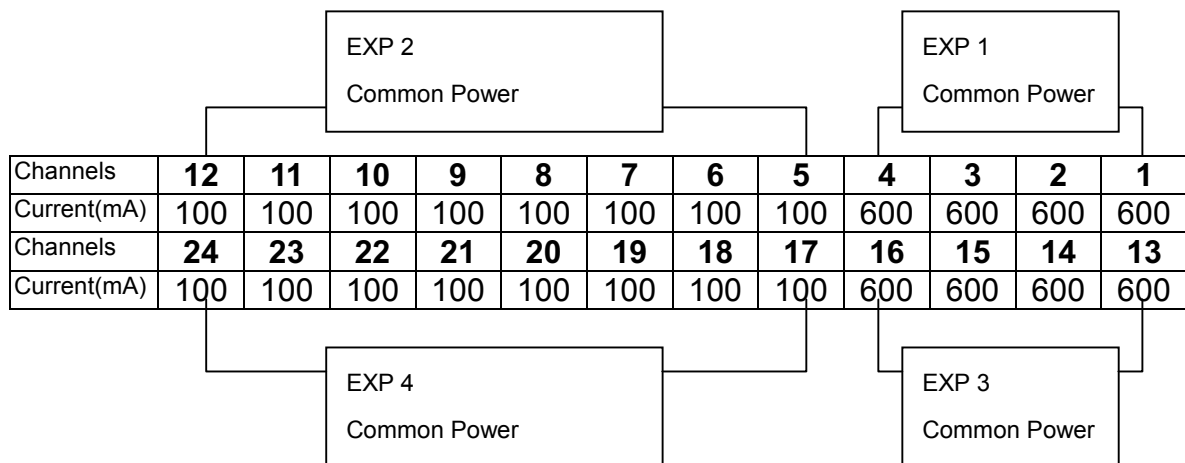
Power consumption: DC+5V @ 0.4Amax.

Dimension: 130mm X 220mm

Operating Temperature: 0-60 C

Storage Temperature: -20~70 C

Humidity: 5% to 90% non-condensing



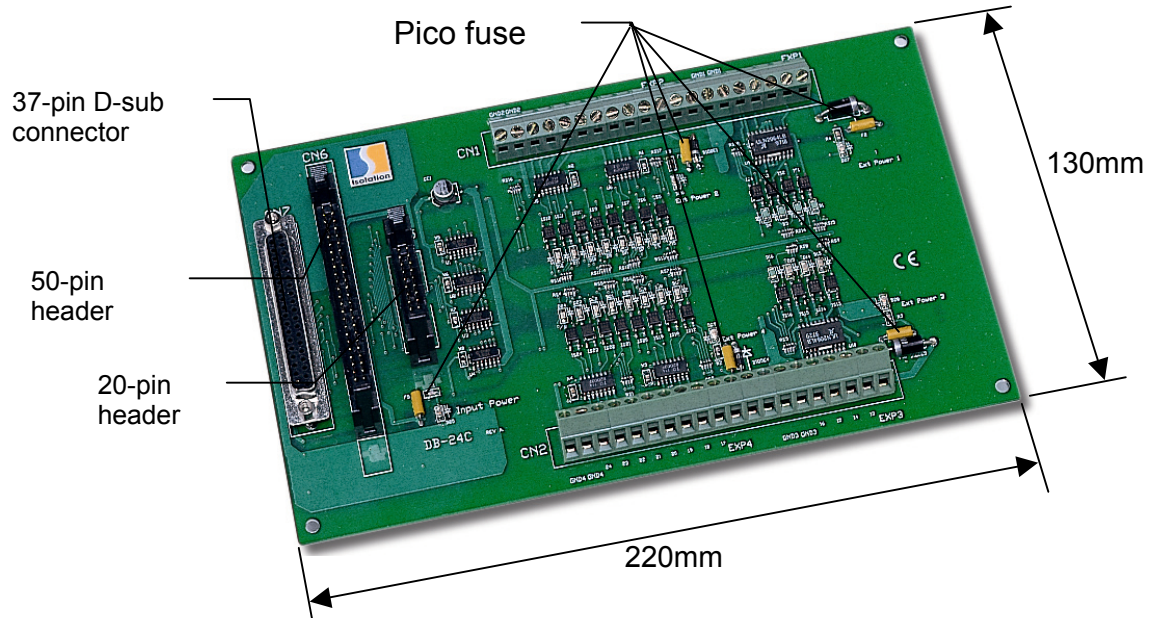
Power	EXP1	EXP2	EXP3	EXP4
Input Voltage	5~24VDC	5~24VDC	5~24VDC	5~24VDC
Input Current	2.4A	0.8A	2.4A	0.8A
Fuse	5A	1.5A	5A	1.5A

---

---

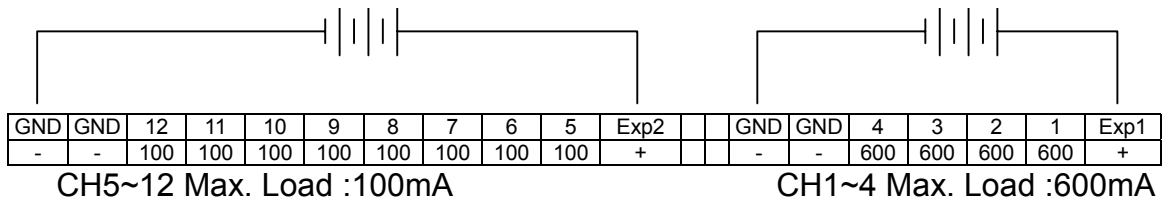
Protection				
------------	--	--	--	--

## 5.4. Board Layout



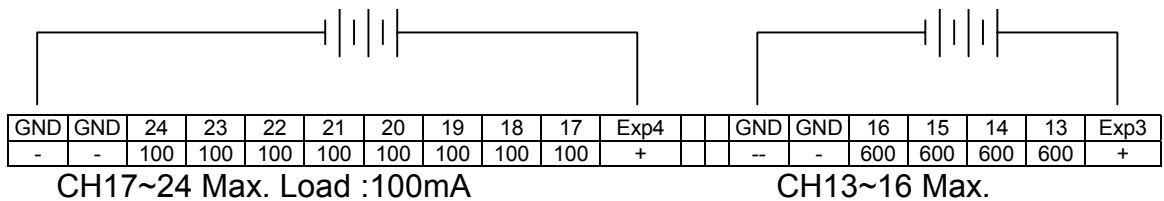
**CN1 :** External Power: 5~24VDC

External Power: 5~24VDC

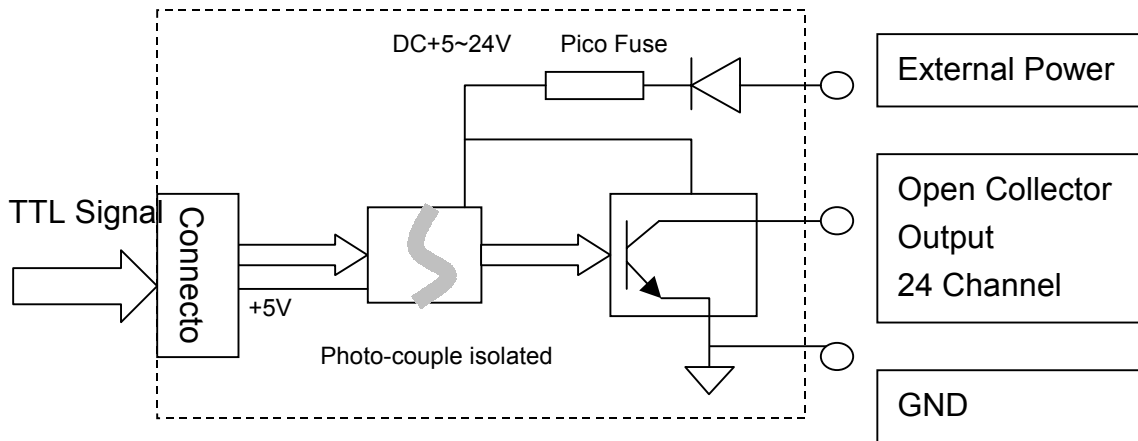


**CN2 :** External Power: 5~24VDC

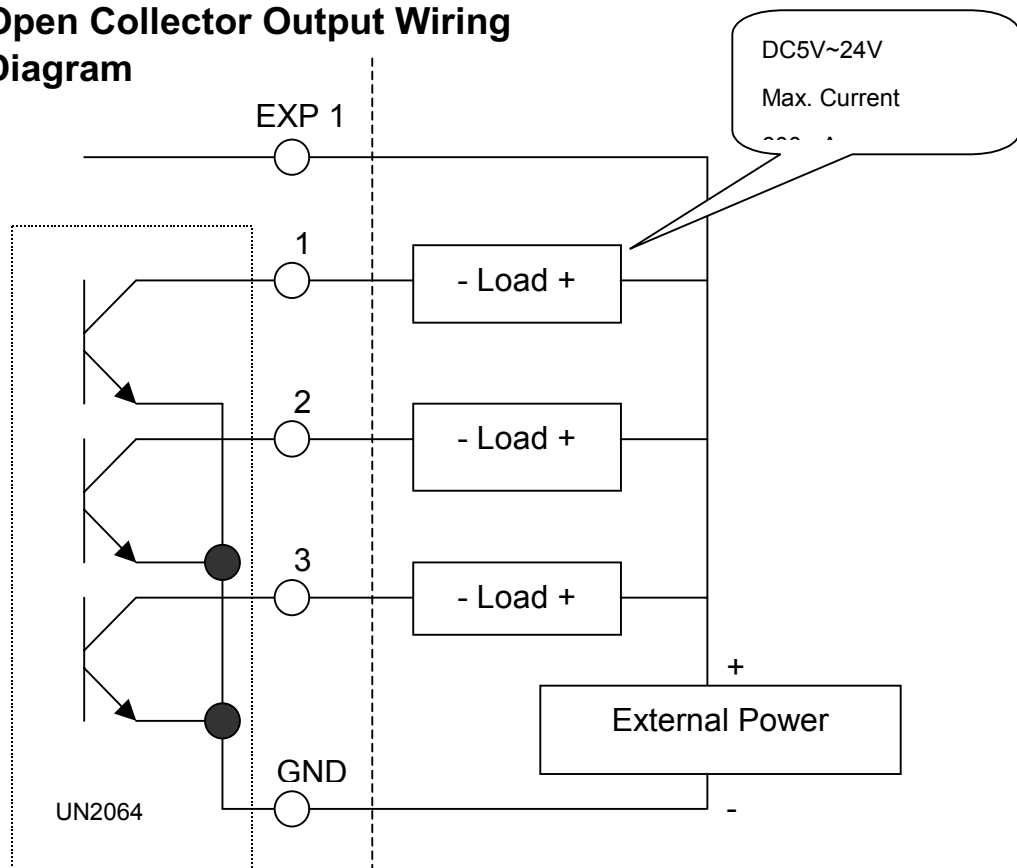
External Power: 5~24VDC



## 5.5. Block Diagram



### Open Collector Output Wiring Diagram



Output Channels: 1,2,3,4,13,14,15and 16 are 600mA (Max.)  
 Output Channels: 5~12and 17~24 are 100mA (Max.)  
 It will be damaged if overloaded .

---

---

## 6. DB-24POR

# 24-Channel Photo Output Board

The DB-24POR includes 24 normally open, form A, Photo-MOS relays. The board interface to field logic signals, eliminating ground-loop problems and isolating the host computer from damaging voltages. The user can use the DB-24POR to switch load, up to 350VAC and up to 130mA, The relay is energized by applying a 5 voltage signal to the appropriate relay channel on the 50-pin OPTO-22 compatible connector or 37-pin D-sub connector. Twenty-four indicators LEDs, one for each relay, light when their associated relay is activated. Because there is a D-sub 37-pin connector on the board, the user may use it to interface to any TTL output board. In other words, the user may use it as a general-purpose photo-MOS relay output board.

### 6.1. Features

- 24 Optically isolated digital output channels
- 24 form A photo-MOS relays
- Switch up to max. 0.13A at max. 350VAC
- 5VDC logic levels
- 5,000V optically isolation
- LED's indicated relay status
- Built-in fuses and diodes to protect from wrong connection of external power supply.
- 50-pin header connector directly to DIO-24, DIO-48,DIO144 and PIO-D144, PIO-D96, PIO-D56, PIO-D48, PIO-D24 and other OPTO-22 compatible digital output boards.
- D-sub 37-pin connector connects directly to PIO-D144, PIO-D96, PIO-D56, PIO-D48 and PIO-D24 digital output boards.

## 6.2. Applications

- ON/OFF Control
- Energy management
- IC factory Automation
- Test Automation

## 6.3. Specification

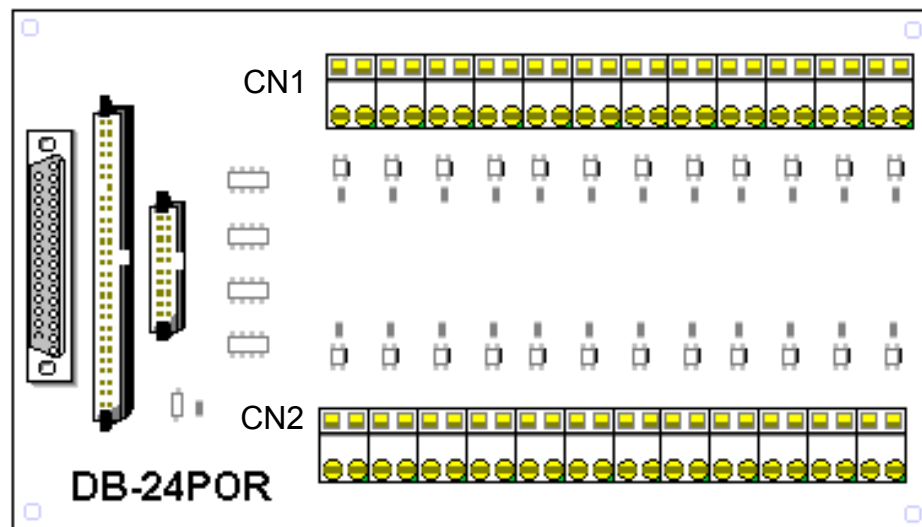
### ■ Photo-MOS Relay

Item	Spec.	Note
Turn On Time	0.7mS	Typical
Turn Off time	0.05mS	Typical
Output On resistance	23Ω	Typical
Load Voltage	350VAC	Peak AC
Continuous load current	130mA	Peak AC
Power dissipation	500mW	
Input / Output Isolation	5,000V	

- Dimensions: 130mm X 220mm
- Operating Temperature : 0~60°C
- Storage Temperature: -20°C~70°C
- Humidity : 5% to 90%, non-condensing

## 6.4. Board's Layout

CN3 CN4 CN5



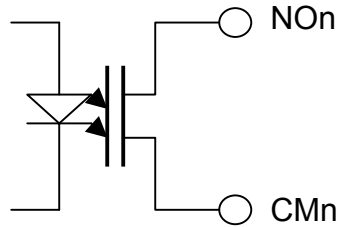




---

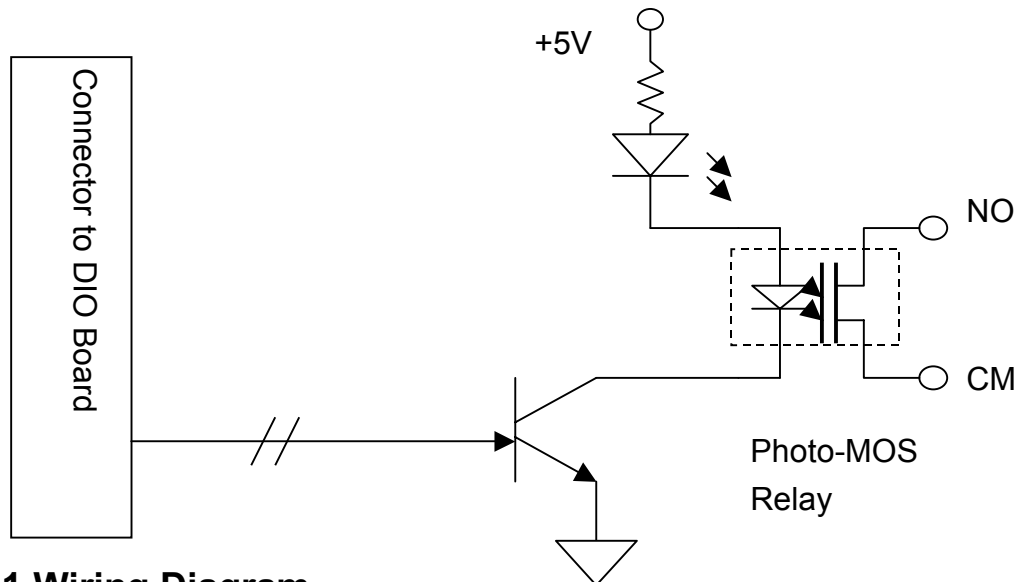
---

<b>Channel 0~23</b>	<b>NOn</b>	<b>CMn</b>
Form A	Normal Open	Common

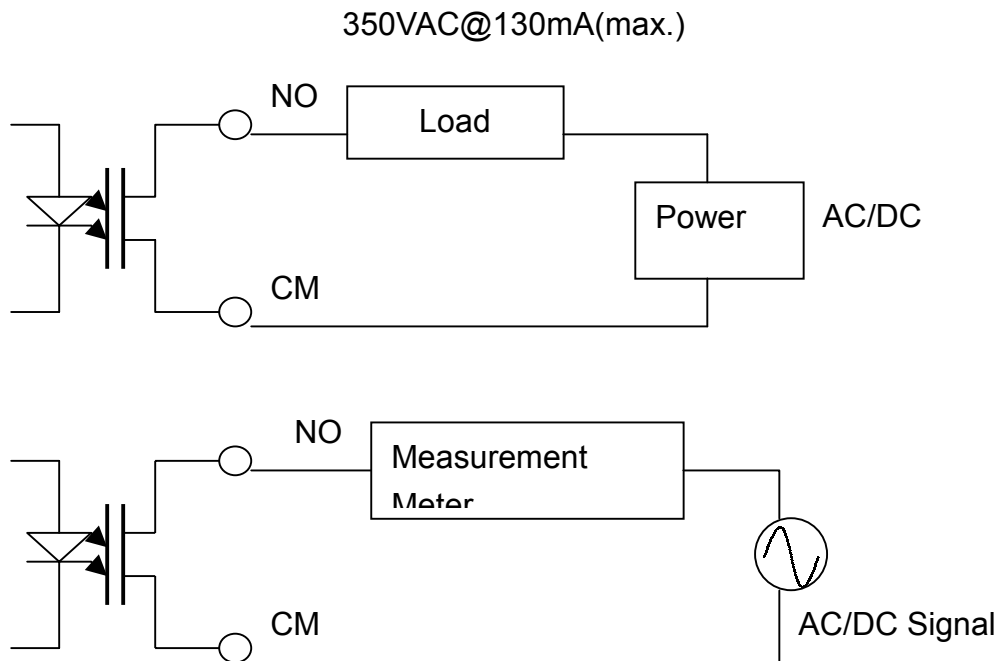


Form A type Photo-MOS Relay

## 6.5. Block diagram



6.5.1. Wiring Diagram



---

---

# 7. DB-24SSR 24-Channel Solid State Relay Board

The DB-24SSR includes 24 normally open, or form A, solid-state relays. The board interface to field logic signals, eliminating ground-loop problems and isolating the host computer from damaging voltages. The user can use the DB-24SSR to switch high voltage load, up to 240VAC and up to 4A. The relay is energized by applying a 5-voltage signal to the appropriate relay channel on the 50-pin header or 37-pin D-sub connector. Twenty-four enunciator LEDs, one for each relay, light when their associated relay is activated. Because there is a D-sub 37-pin connector on the board, the user may use it to interface to any TTL output board. In other words, the user may use it as a general purpose solid state relay output board.

## 7.1. Features

- 24 optically isolated digital output channels
- 24 form A solid-state relays
- Switch up to 4A at 250VAC
- 5VDC logic levels
- 2,500VAC optical isolation
- Built-in varistor.
- Screw terminal for easy field wiring
- Can choose plug-in screw-terminal, modification and ensuring simple installation, modification and maintenance
- 50-pin header connects directly to DIO-24, DIO-48, DIO144, PIO-D144, PIO-D96, PIO-D48, and PIO-D24 OPTO-22 compatible board
- D-Sub 37-pin connector connects directly to PIO-D144, PIO-D96, PIO-D48 and PIO-D24 board or another OPTO-22 board with ADP-37 adapter

---

---

## 7.2. Applications

- ON/OFF control
- Energy management
- Test Automation
- Process Control

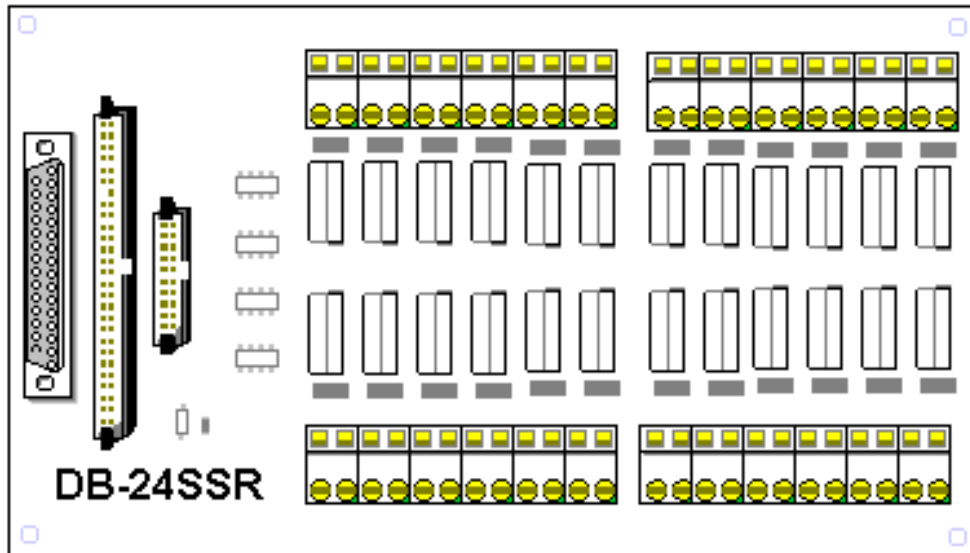
## 7.3. Specification

- Solid State Relay ( AC)

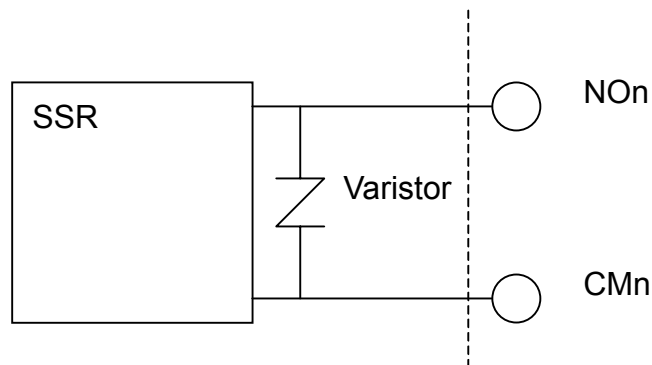
Load Voltage	50~250VAC
Maxi. Load Current	4A
Repetitive Peak OFF Voltage	600V
Max. "ON-state " Voltage Drop	1.5V
Surge Current	50A
Maxi. "OFF-State" Leakage Current	5mA
Mini. Load Current	20mA
Breakdown Voltage	2,500V (Between Input & Output)
Insulation resistance. i.	100,000,000Ω(min.)
Operate time , 1/2 cycle of voltage sine wave	1mS (max.)
Zero Crossing	Yes
Snubber Circuit	Yes

- Power Consumption: [+5V@0.4A\(max.\)](#)
- Dimension: 130mm X 220mm
- Operation Temperature : 0~60°C
- Storage Temperature : -20°C~70°C
- Humidity : 5% to 90% non-condensing

## 7.4. Layout

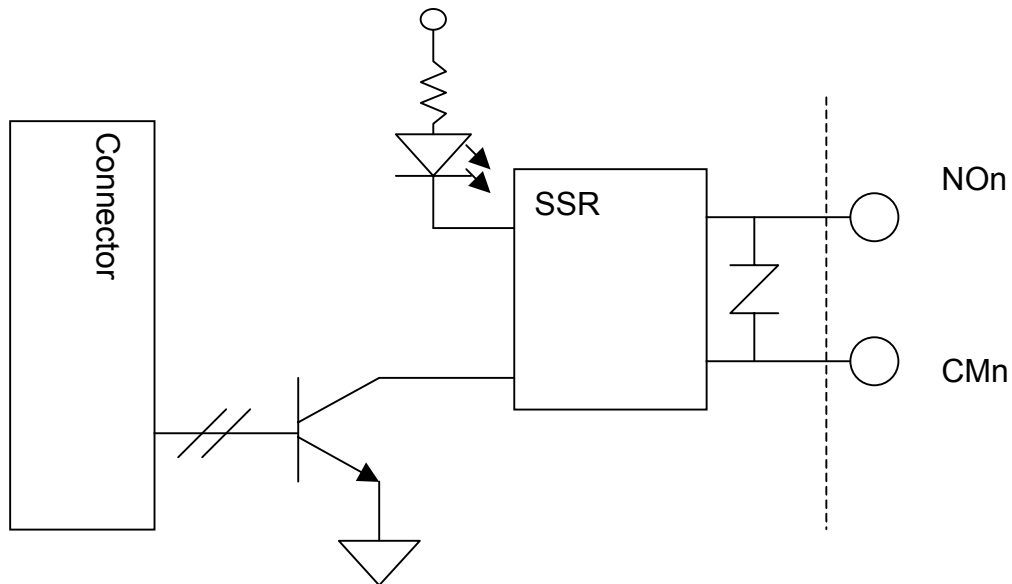


Channel 0~23	NOn	CMn
Form A	Normal Open	Common

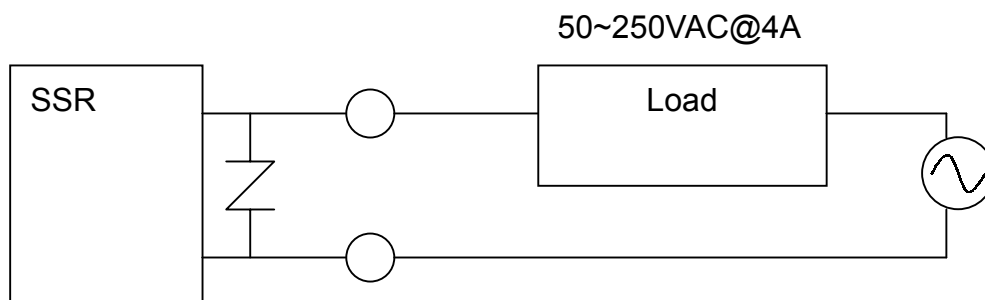


---

## 7.5. Block Diagram



## 7.6. 3.6 Wiring Diagram



## 7.7. Pin Assignment DB-24C / DB-24POR / DB-24SSR

### CN3 Pin Assignment

CH0	37	○	○	1	GND
CH1	36	○	○	9	N.C.
CH2	35	○	○	1	GND
CH3	34	○	○	8	N.C.
CH4	33	○	○	1	GND
CH5	32	○	○	7	N,C,
CH6	31	○	○	1	GND
CH7	30	○	○	6	N.C.
CH16	29	○	○	1	GND
CH17	28	○	○	5	CH08
CH18	27	○	○	1	CH9
CH19	26	○	○	4	CH10
CH20	25	○	○	1	CH11
CH21	24	○	○	3	CH12
CH22	23	○	○	1	CH13
CH23	22	○	○	2	CH14
GND	21	○	○	11	CH15.
+5V	20	○	○	1	N.C.
		○	○	0	N.C.

### CN4 Pin Assignment

GND	50	○	○	49	+5V input
GND	48	○	○	47	CH0
GND	46	○	○	45	CH1
GND	44	○	○	43	CH2
GND	42	○	○	41	CH3
GND	40	○	○	39	CH4
GND	38	○	○	37	CH5
GND	36	○	○	35	CH6
GND	34	○	○	33	CH7
GND	32	○	○	31	CH8
GND	30	○	○	29	CH9
GND	28	○	○	27	CH10
GND	26	○	○	25	CH11
GND	24	○	○	23	CH12
GND	22	○	○	21	CH13
GND	20	○	○	19	CH14
GND	18	○	○	17	CH15
GND	16	○	○	15	CH16
GND	14	○	○	13	CH17
GND	12	○	○	11	CH18
GND	10	○	○	9	CH19
GND	8	○	○	7	CH20
GND	6	○	○	5	CH21
GND	4	○	○	3	CH22
GND	2	○	○	1	CH23

### CN5 Pin Assignment

CH1	2	○	○	1	CH0
CH3	4	○	○	3	CH2
CH5	6	○	○	5	CH4
CH7	8	○	○	7	CH6
CH9	10	○	○	9	CH8
CH11	12	○	○	11	CH10
CH13	14	○	○	13	CH12
CH15	16	○	○	15	CH14
GND	18	○	○	17	GND
N.C.	20	○	○	19	+5v

#### Note:

+5V : Power input DC +5V

GND: Power's Ground

CHn : TTL's Signal



---

---

## 8. DB-16P 16 Opto-Isolated

# Digital Input Terminal Board

The DB-16P is a 16 channel isolated digital input daughter board for A-82x DAS board or any 812PG, 711 series DAS boards. The optically isolated inputs of the DB-16P consist of a bi-directional LED with a resistor for current sensing. You can use the DB-16P to sense DC signal from TTL levels up to 24V. You can also use DB-16P to sense a wide range of AC signals. The DB-16P registers a constant logic high if the frequency of the input AC signal is greater or equal to 1 kHz, and the voltage of the AC signal is at least 4Vrms. If you are using AC input signal, you should short the AC filter Jumper. You can use the board to isolate the computer from large common-mode voltages, ground loops, and voltage spikes that often occur in industrial environments.

### 8.1. Features

- DB-16P 16 optically isolated digital input
- DB-16P connected to DIO-64 , A-62X , A-82x data acquisition boards
- AC/DC Signal Input
- AC Signal Input with filter
- Input buffer with voltage comparators
- 3,000V isolation
- Each channel has it's LED indicator

### 8.2. Specifications

- I/O connector Electrical Specifications
  - Configuration: optically isolated digital input channels
  - Compatibility: TTL compatible
- Digital Input
  - Number of channels: 16 Channels ,  
each channel with its own ground  
reference isolated from other channels

---

Maximum input voltage: 24 VDC or 24 VAC

---

---

---

Digital Logic Level:

Level	Minimum	Maximum
Input low voltage (DC or peak AC)	0	+/-1V
Input high voltage DC 1kHz AC	+/- 3.8VDC 4Vrms	+/-24VDC 24VAC

Input impedance: 1.2k

Input Current

5V inputs : 4 mA /channel

24V inputs : 20 mA /channel

Input Response Time :20 $\mu$ s without filter / 2.2ms with filter

- Power consumption 220mA/ +5V (Max) from PC
- Board Dimension : 8.06 " (205mm) X 4.5 "(114mm)
- Operating Environment
- Component temperature : 0 to 50°C
- Relativity humidity : 5% to 90% non condensing
- Storage Environment

Temperature: 0-60°C

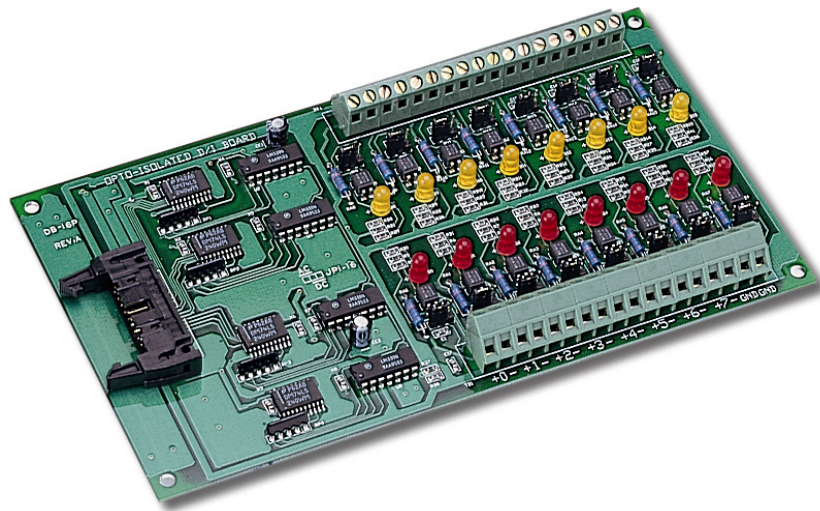
Relative humidity: 5% to 90 % non condensin

## 8.3. Applications

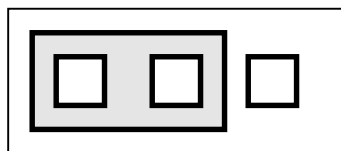
- Isolated digital input sensing
- Process monitoring

---

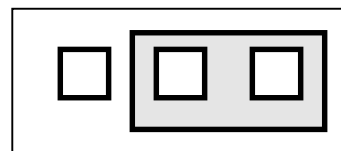
## 8.4. Layout



## 8.5. Jumper setting

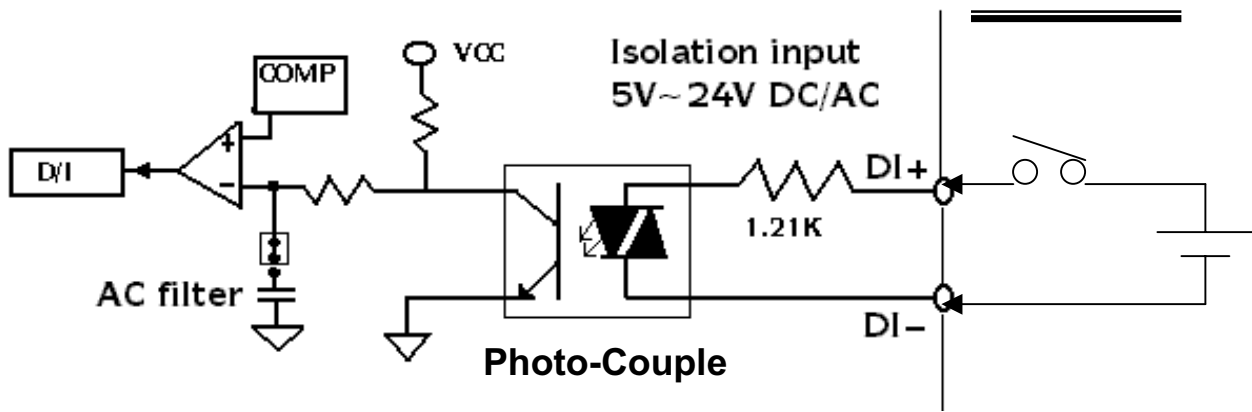


With filter for AC signal



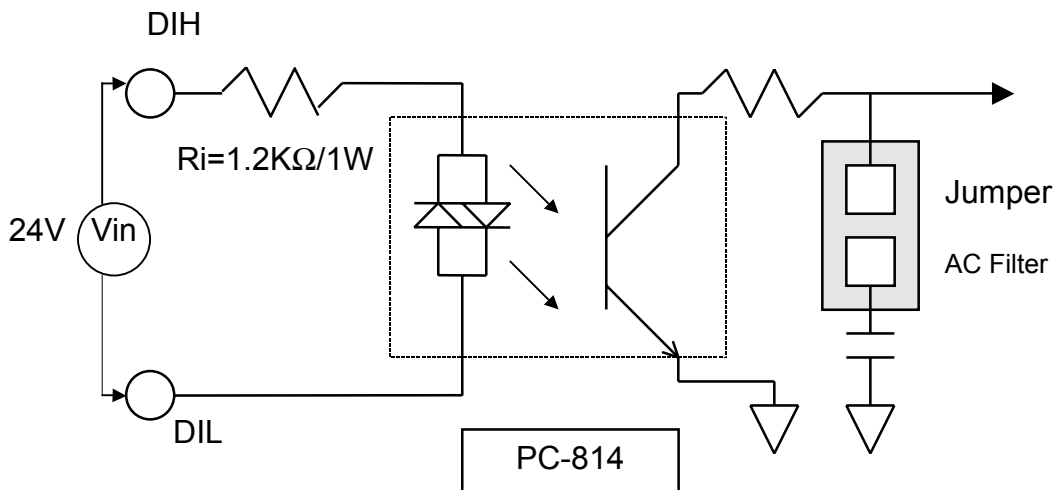
Without filter for DC signal

If you are using AC signal, You must short the AC FILTER jumper.  
If you are using DC input signals, the AC FILTER is optional. If the response time of input signals less than 20 $\mu$ s, set the filter off. If you want a slow response (about 5 to 10 ms) for rejecting noise or contact bouncing, short the AC FILTER jumper.



## 8.6. Isolated Input

The normal input voltage range is 5 to 24 V AC or DC . The normal input range can be changed by choosing suitable resistor to limit the current through the Photo-isolator to about 10 mA( $I_f$ ). The default resistor is 1.2K $\Omega$ /1 W.



$$R_i = V_{in} / I_f$$

$$P_w = V_{in} \times I_f$$

Calculation Example:

$$\text{If } V_{in} = 120V \text{ then } R_i = 120(V) / 0.01(A) = 12K\Omega$$

$$P_w = 120(V) \times 0.01(A) = 1.2W$$

The  $R_i$  must be replaced by 12K $\Omega$ /2W(1.2W)

---

## 8.7. Pin Assignment

- DB-16P CN1 Pin assignment

DO0	1	2	DO1
DO2	3	4	DO3
DO4	5	6	DO5
DO6	7	8	DO7
DO8	9	10	DO9
DO10	11	12	DO11
DO12	13	14	DO13
DO14	15	16	DO15
D.GND	17	18	D.GND
+5V	19	20	+12V

- DB-16P TB1 Pin Assignment of TB1

Pin Number	1	2	3	4	5	6	7	8	9	10	11	12	13	14	15	16	17	18
Label	0H	0L	1H	1L	2H	2L	3H	3L	4H	4L	5H	5L	6H	6L	7H	7L	F.G.	F.G.

- DB-16P Pin Assignment of TB2

Pin Number	1	2	3	4	5	6	7	8	9	10	11	12	13	14	15	16	17	18
Label	8H	8L	9H	9L	10H	10L	11H	11L	12H	12L	13H	13L	14H	14L	15H	15L	+5V	+12V

---

---

## 9. DB-24P 24 Photo-Isolated

### Digital Input Terminal Board

The general specification of DB-24P is the same as DB-16P. But DB-24P has one Opto-22 compatible 50-pin connector and can be used for 24 channel photo-isolated digital input .

The DB-24PD is almost the same as DB-24P. But DB-24PD has one 37-pin D-sub connector.

#### 9.1. Features

- 24 optically isolated digital input
- connected to DIO-24 , DIO-48 , DIO-144 or any OPTO-22 compatible connector of digital input / output board.
- DB-24PD connect to PIO-D144 , PIO-D96 , PIO-D48 and PIO-D24
- AC/DC Signal Input
- AC Signal Input with filter
- Input buffer with voltage comparators
- 1,000V isolation
- Each channel has it's LED indicator

---

#### 9.2. Applications

- Isolated digital input sensing
- Process monitoring

---

---

## 9.3. Specification

- I/O connector Electrical Specifications  
Configuration: optically isolated digital input channels  
Compatibility: TTL compatible
- Digital Input  
Number of channels: 24 Channels  
each channel with its own ground reference isolated from  
other channels  
Maximum input voltage: 24 VDC or 24 VAC

Digital Logic Level:

Level	Minimum	Maximum
Input low voltage (DC or peak AC)	0	+/-1V
Input high voltage DC 1kHz AC	+/- 3.8VDC 4Vrms	+/-24VDC 24VAC

Input impedance: 1.2k

Input Current

5V inputs : 4 mA /channel

24V inputs : 20 mA /channel

Input Response Time :20 $\mu$ s without filter / 2.2ms with filter

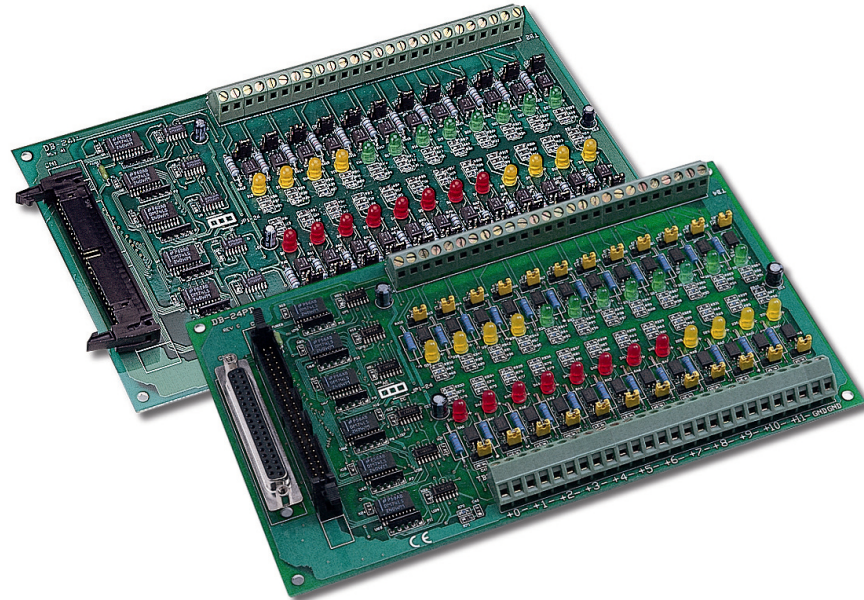
- Power consumption: DB-24P 290mA/ +5V (Max) from PC
- Board Dimensions : 9.7 " (220mm) X 5.7" (130mm)
- Operating Environment  
Component temperature : 0 to 50°C  
Relativity humidity : 5% to 90% non condensing
- Storage Environment  
Temperature: 0-60°C  
Relative humidity: 5% to 90 % non condensing

---

4.

## 9.4. Layout

### DB-24P / DB-24PD

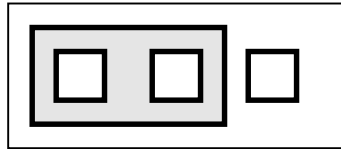




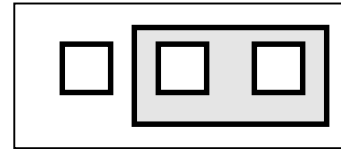
---

---

## 9.5. Jumper setting

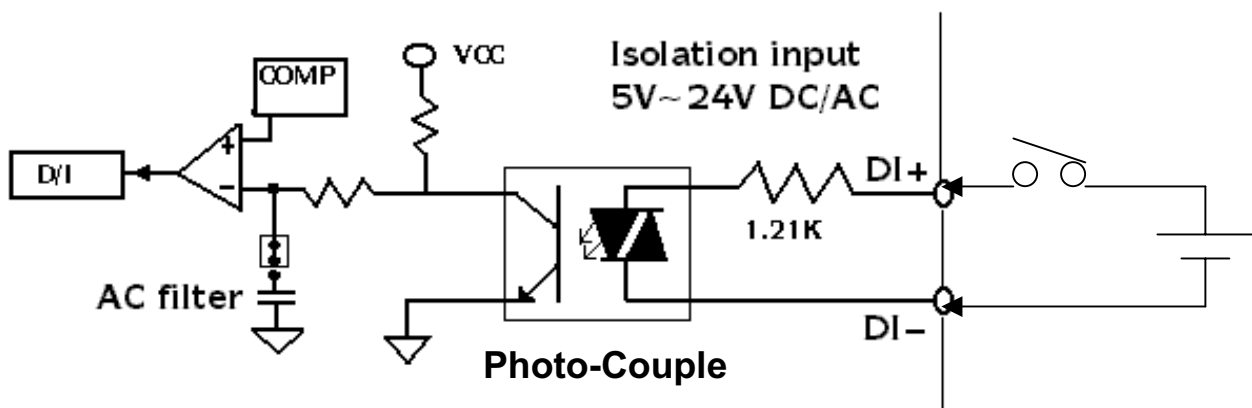


With filter for AC signal



Without filter for DC signal

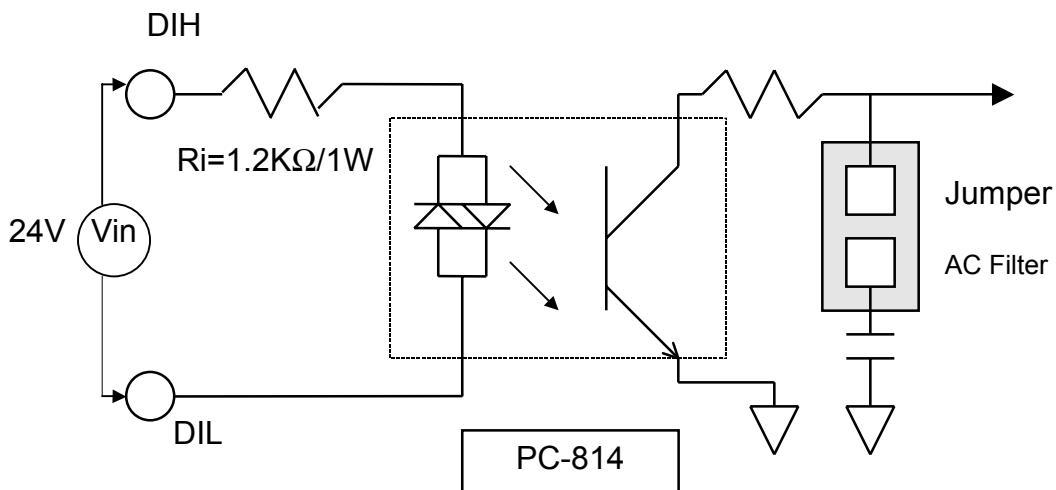
If you are using AC signal, You must short the AC FILTER jumper.  
If you are using DC input signals, the AC FILTER is optional. If the response time of input signals less than  $20\mu\text{s}$ , set the filter off. If you want a slow response (about 5 to 10 ms) for rejecting noise or contact bouncing, short the AC FILTER jumper.



---

## 9.6. Isolated Input

The normal input voltage range is 5 to 24 V AC or DC . The normal input range can be changed by choosing suitable resistor to limit the current through the Photo-isolator to about 10 mA( $I_f$ ). The default resistor is 1.2K $\Omega$ /1 W.



$$R_i = V_{in}/I_f$$

$$P_w = V_{in} \times I_f$$

Calculation Example:

$$\text{If } V_{in} = 120V \text{ then } R_i = 120(V) / 0.01(A) = 12K\Omega$$

$$P_w = 120(V) \times 0.01(A) = 1.2W$$

The  $R_i$  must be replaced by 12K $\Omega$ /2W(1.2W)

- DB-24P: CN1 OPTO-22 Connector Pin Assignment
- DB-24P TB3 Pin Assignment

Pin Number	1	2	3	4	5	6	7	8	9	10	11	12	13
Label	0H	0L	1H	1L	2H	2L	3H	3L	4H	4L	5H	5L	6H

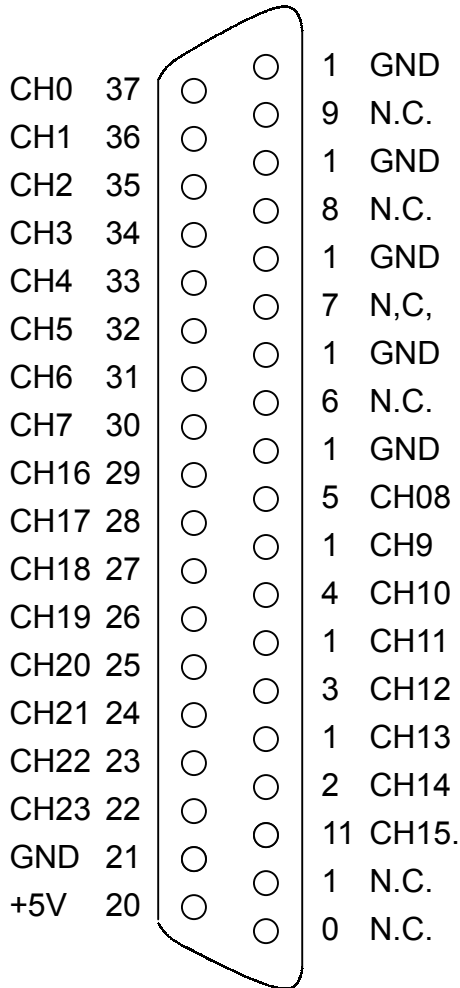
Pin Number	14	15	16	17	18	19	20	21	22	23	24	25	26
Label	6L	7H	7L	8H	8L	9H	9L	10H	10L	11H	11L	GND	GND

- DB-24P TB2 Pin Assignment

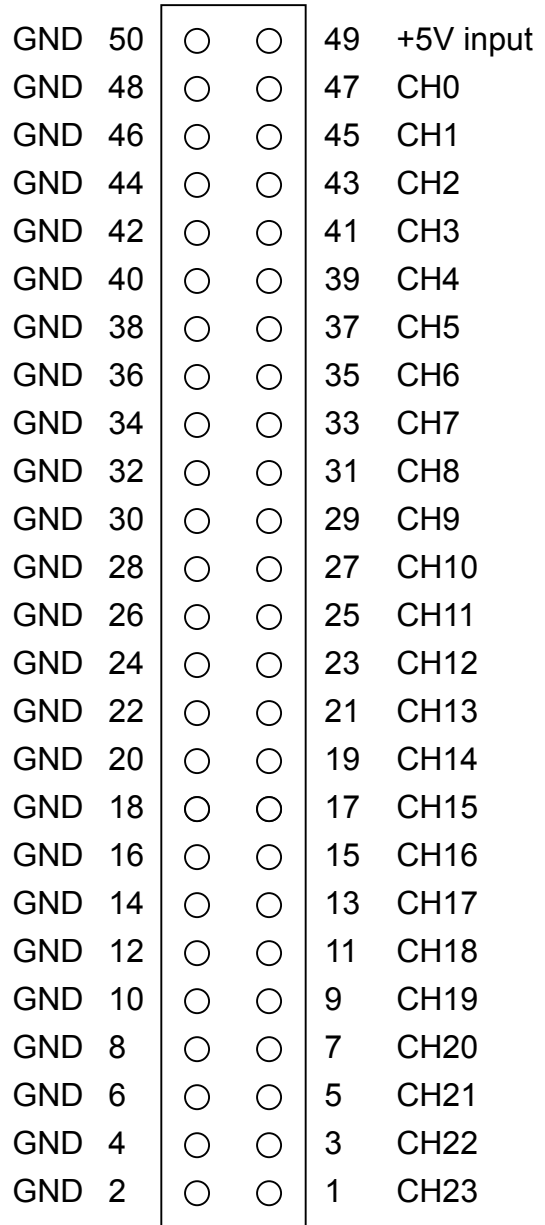
Pin Number	1	2	3	4	5	6	7	8	9	10	11	12	13
Label	12H	12L	13H	13L	14H	14L	15H	15L	16H	16L	17H	17L	18H

Pin Number	14	15	16	17	18	19	20	21	22	23	24	25	26
Label	18L	19H	19L	20H	20L	21H	21L	22H	22L	23H	23L	+5V	+5V

**DB-24PD : D-sub connector  
Pin Assignment**



**DB-24P: Pin Assignment**



**Note:**

+5V : Power input DC +5V

GND: Power's Ground

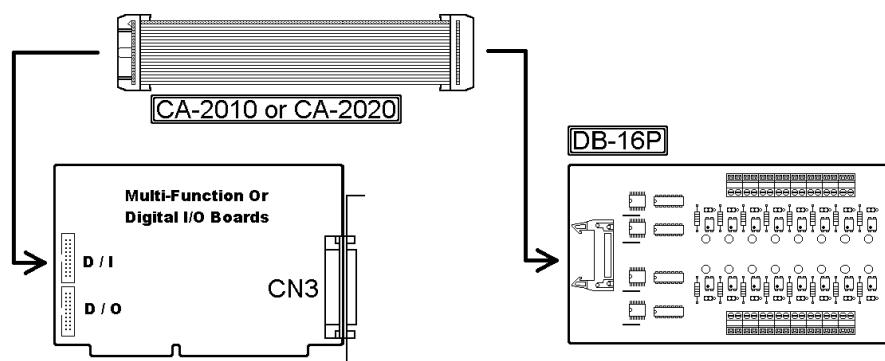
CHn : TTL's Signal

---

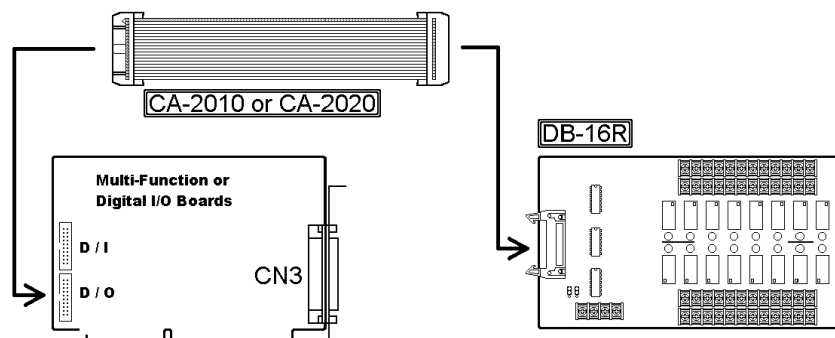
# 10. Configuration

## 10.1. Connect to DIO Board

DB-16P / DB-16R connect to 20-pin digital input /  
output connector



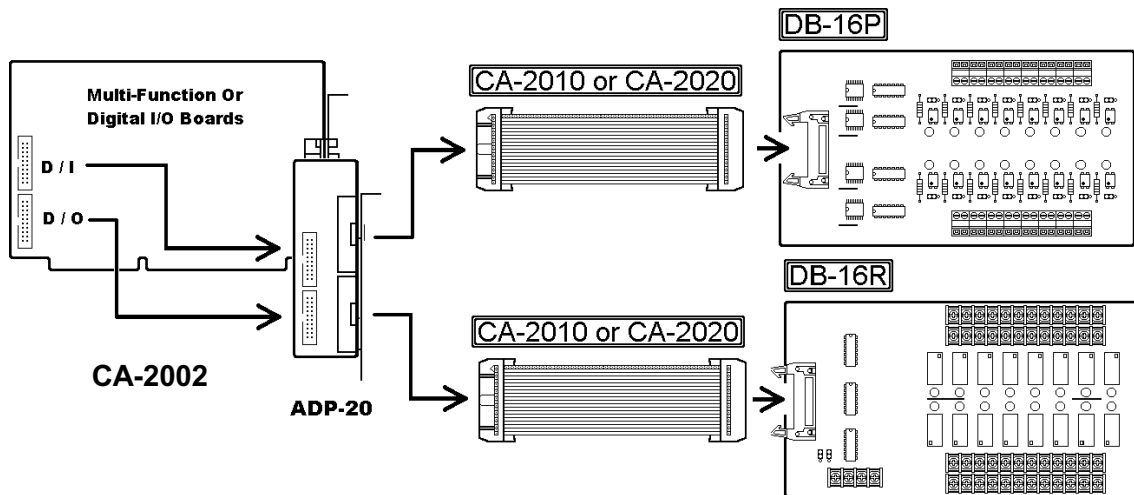
DB-16P linked to digital input port of multi-function board



DB-16R linked to digital output port of multi-function board

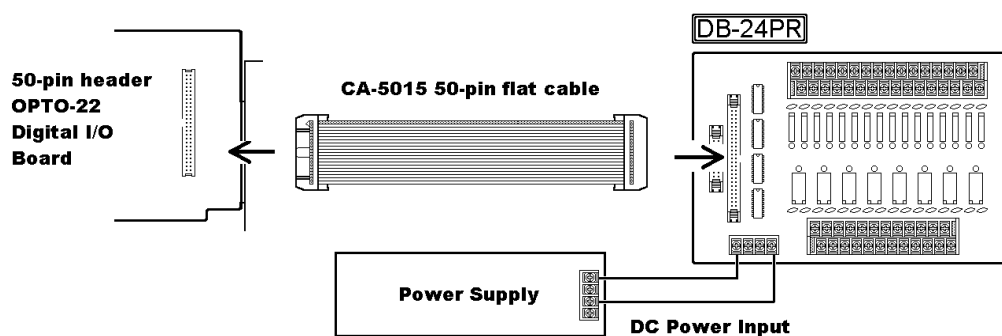
---

The DB-16P / DB-16R linked to Multi-Function board via ADP-20 extender.



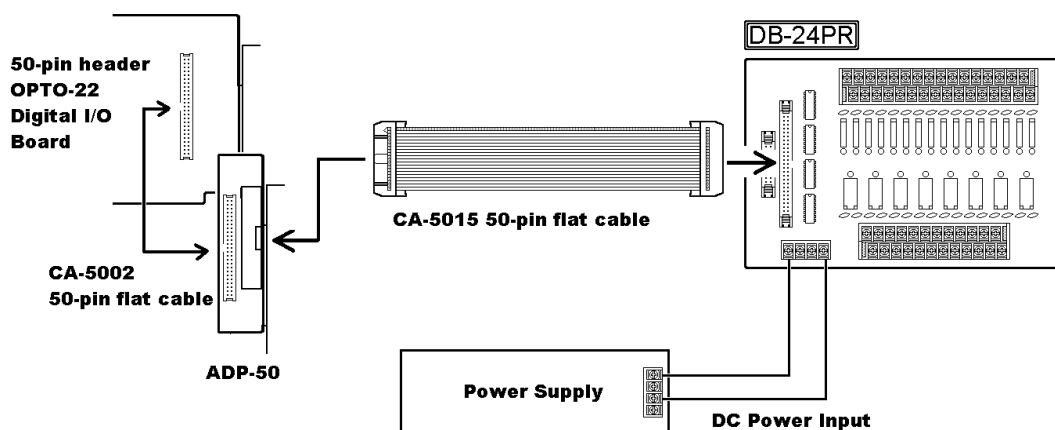
---

## 50-pin OPTO-22 compatible connector directly connected



DIO-24  
DIO-48  
DIO-144  
PIO-D144  
PIO-D96  
PIO-D48

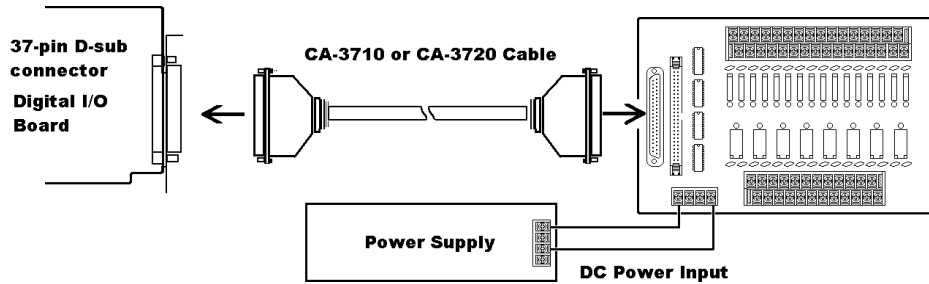
DB-24R / DB-24RD  
DB-24PR / DB-24PRD  
DB-24C / DB-24POR  
DB-24SSR



---

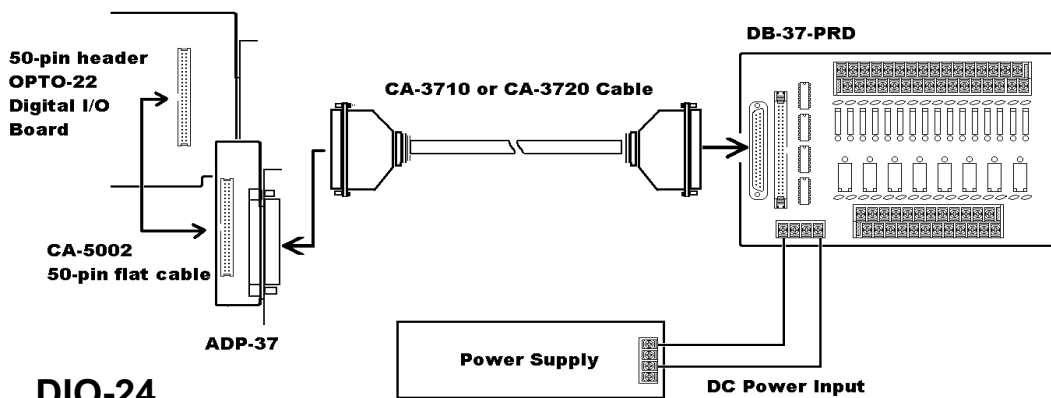
## Connect to 37-pin D-sub connector

PIO-D144 / PIO-D96 / PIO-D48  
37-pin D-sub DI/O card



**DB-24RD**  
**DB-24PRD**  
**DB-24C / DB-24POR**  
**DB-24SSR**

50-pin header convert to 37-pin D-sub  
connector via the ADP-37



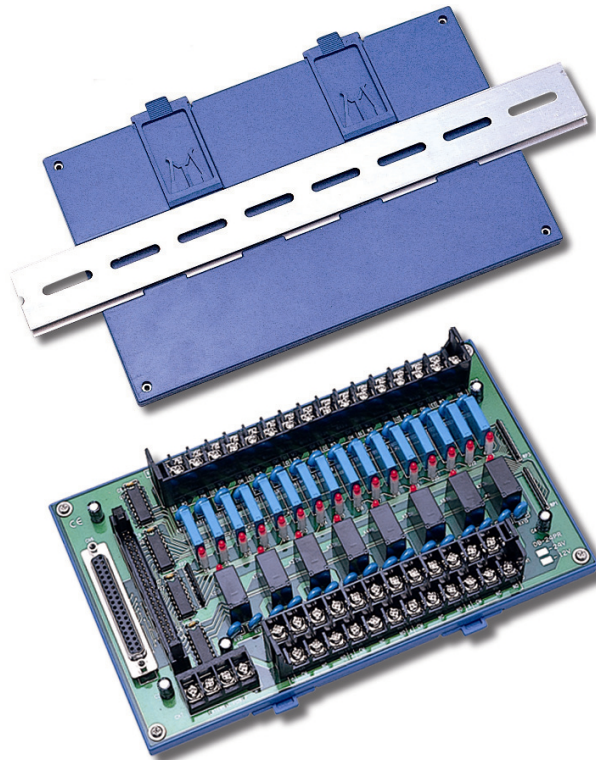
**DIO-24**  
**DIO-48**  
**DIO-144**  
**PIO-D144**  
**PIO-D96**  
**PIO-D48**



---

## 10.2. DIN-Rail Mounting

The DB-24P,DB-24R, DB-24PR, DB-24C, DB-24POR, DB-24SSR, DB-16P8R series daughter boards can choose DIN-OPTO22 kit for DIN-Rail mounting.



DB-24P/DIN  
DB-24PD/DIN  
DB-24R/DIN  
DB-24RD/DIN  
DB-24PR/DIN  
DB-24PRD/DIN  
DB-24C/DIN  
DB-24POR/DIN  
DB-24SSR/DIN  
DB-16P8R/DIN

