



EMI Ferrite Split/Snap-On Core

Introduction

The split ferrite cable cores are designed to significantly reduce EMI/RFI for round cables.

The hinged plastic case surrounding the split core is designed to clamp onto the cable to provide a secure fixture of the ferrite onto the cable. The cores can be retrofitted onto existing installations or used in post-assembly operations on the data and power cables of electronic equipment. Ferrite cores are important for ensuring strong electronic signals through cables in environments where EMI or RFI can be an issue.

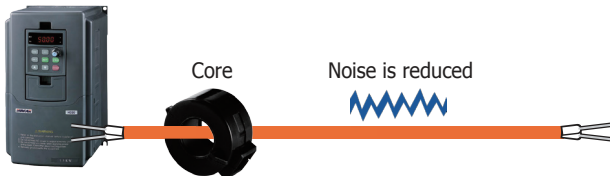
Applications

RS-232, RS-422, RS-485, CAN bus, FRnet, PROFIBUS, Ethernet, USB, AC/DC Power line..etc

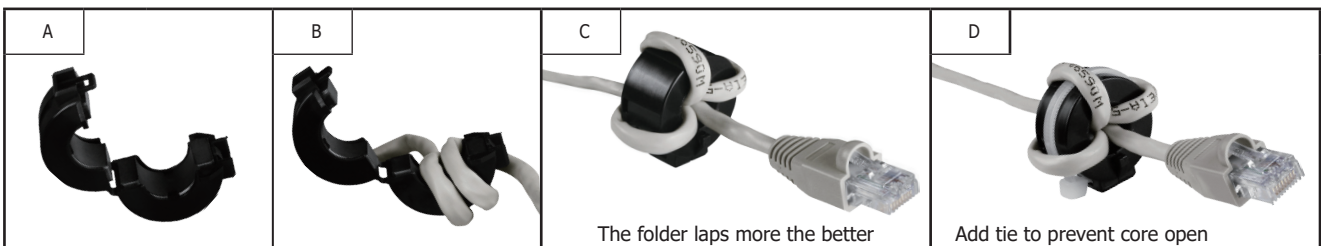
Inverter



Inverter



Installation



Clip-on Ferrite Core Installation

Ordering Information

CD-002 CR	EMI Ferrite Split/Snap-On Core (1 package include 10 cores) (RoHS)
-----------	--

Features

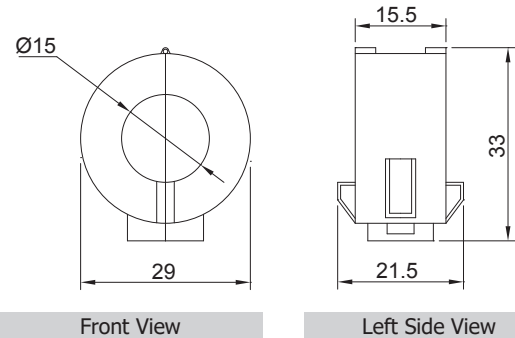
- Aimed to suppress low frequency noise generated by engine control units, inverters, and motors
- Split type
- Operation Temperature: -25°C ~ 75°C



Specifications

Mechanical	
Max. Cable Diameter	Ø15 mm
Material Type	Board Band Material
Additional Description	Plastic Case
Case Color	Black

Dimensions (Units: mm)



Characteristic

