

TDA2640 Switched Mode Power Supplies Integrated Circuits

GENERAL DESCRIPTION

The TDA2640 is a monolithic integrated circuit for controlling single ended switched-mode power supplies.

It incorporates the following functions:—

- fixed frequency determined by external components
- output voltage stabilisation
- over current protection with automatic starting
- over voltage protection
- soft starting
- low supply voltage protection
- open circuit feedback protection
- remote inhibit and restart
- optional synchronisation

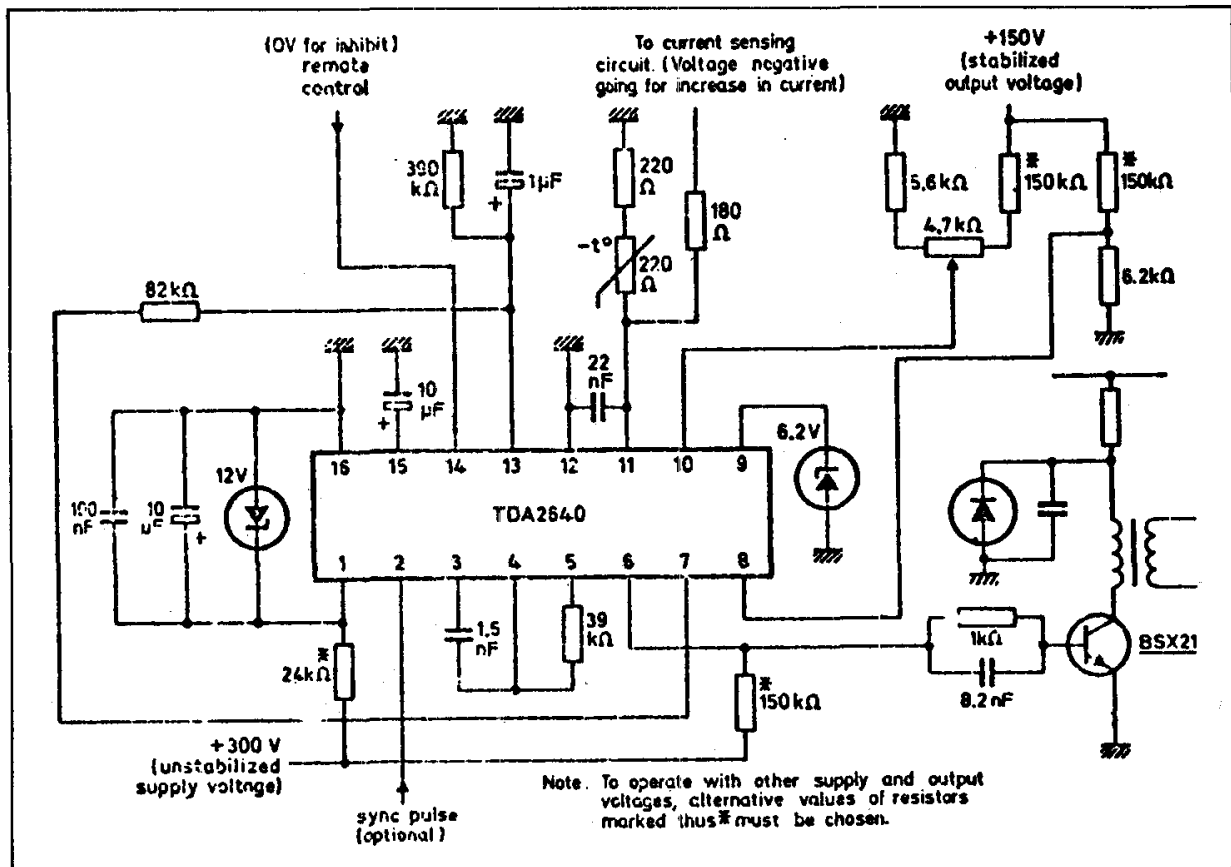
QUICK REFERENCE DATA

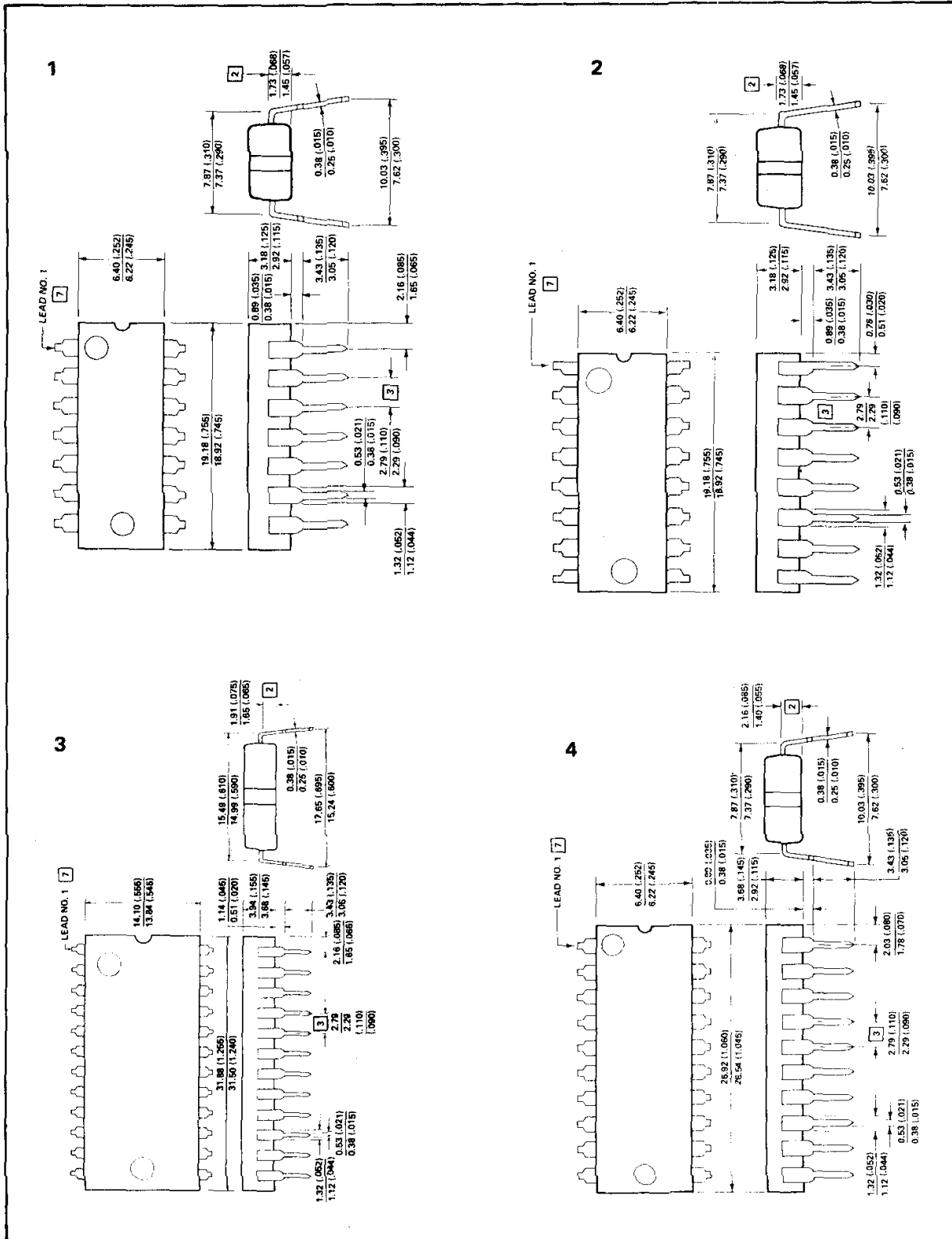
Supply voltage	V_{1-16}	typ.	12V
Supply current	I_1	typ.	8.1mA
Output voltage (peak-to-peak value)	V_{6-16} (p-p)	>	11.5V
Duty cycle of output pulse			20 to 85%
Output current (peak value)	I_{6M}	<	20mA
External reference voltage	V_{9-16}	typ.	6.2V

REFERENCE TABLE

TYPE NO.	STOCK NO.	DRWG. NO.
TDA2640	53780A	2

TYPICAL APPLICATION



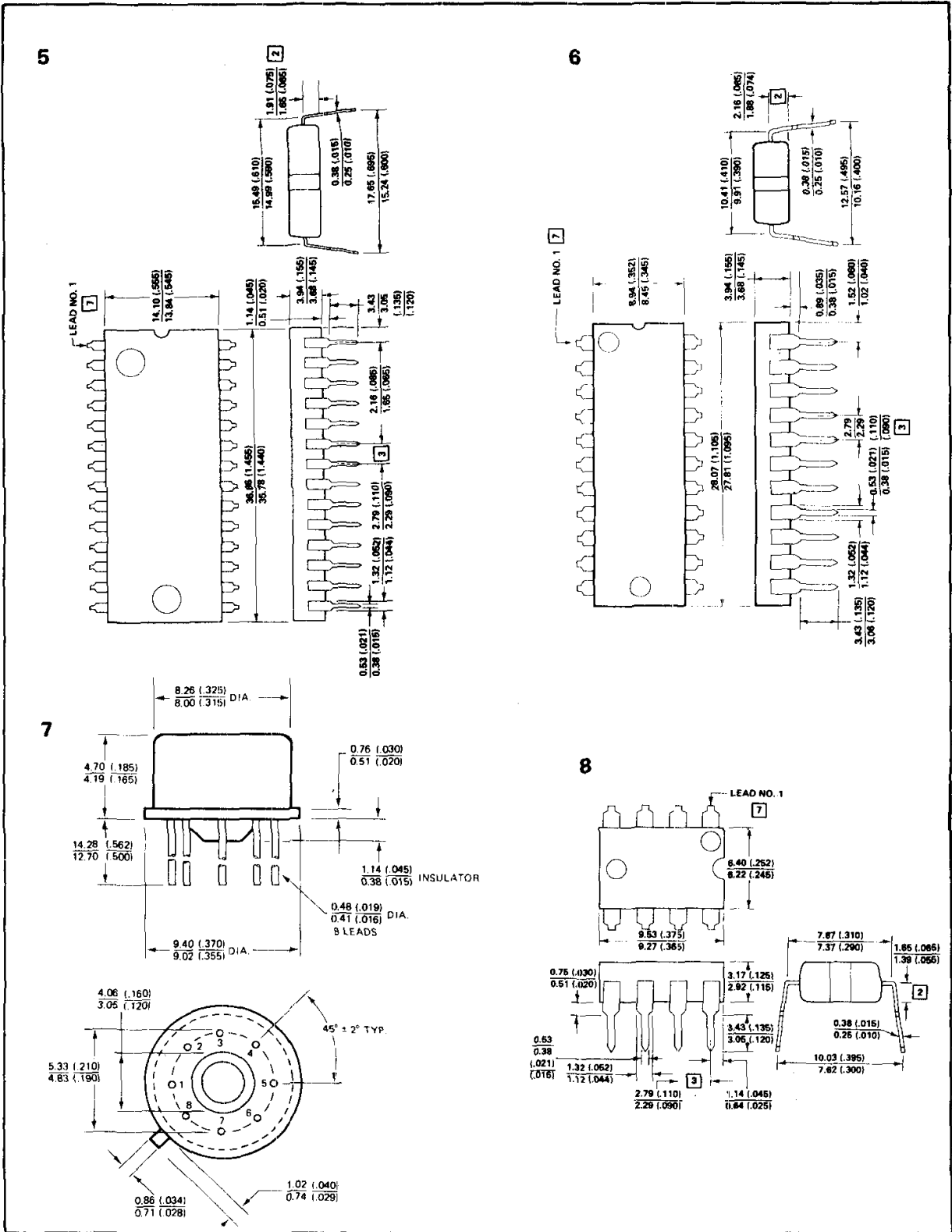


PLEASE QUOTE STOCK NO.
AND MANUFACTURERS PART NO. WHEN ORDERING



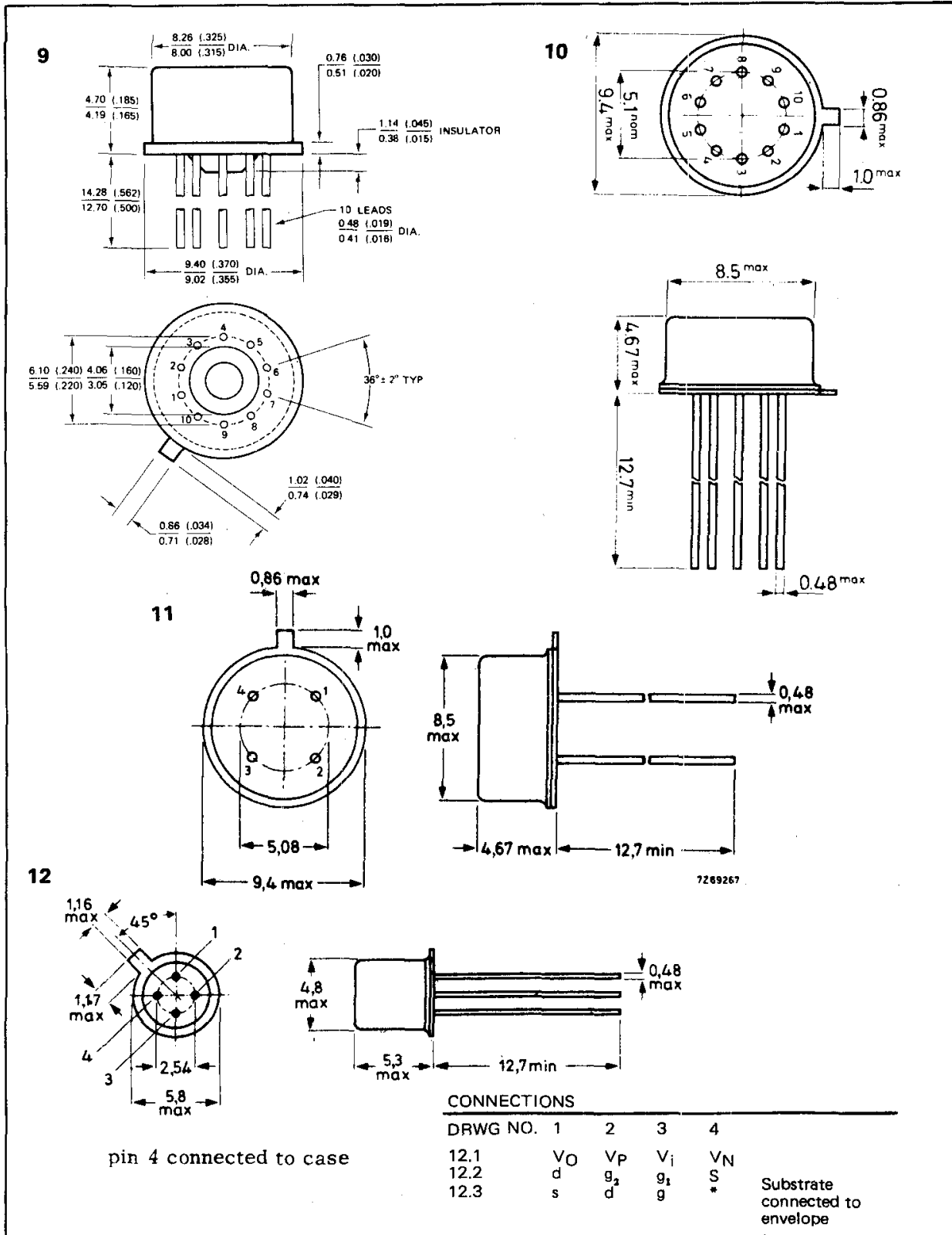
Signetics

Outline Drawings



ITT GEMINI

FOR CURRENT PRICES PHONE
HARLOW (0279) 29644

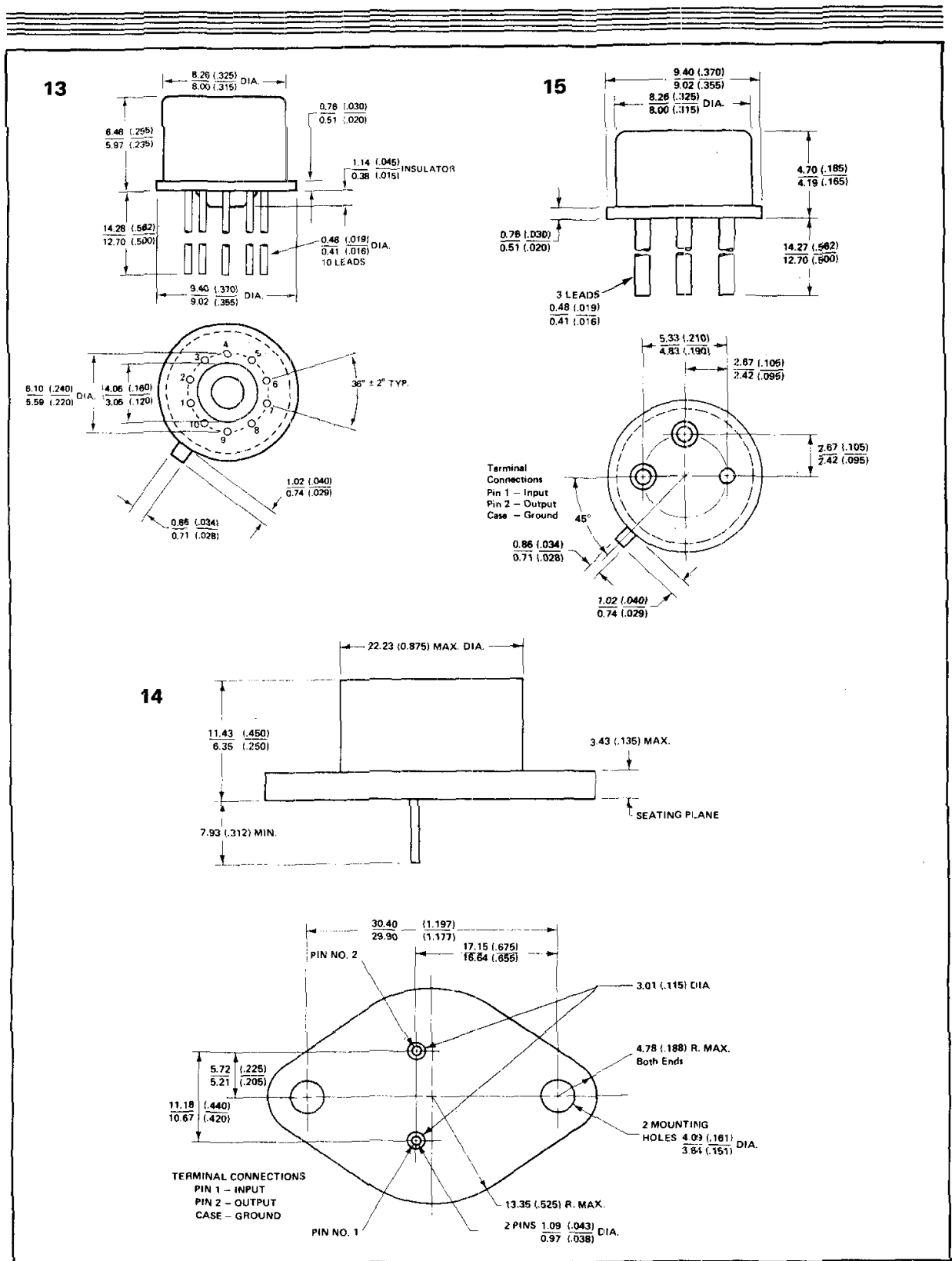


PLEASE QUOTE STOCK NO.
AND MANUFACTURERS PART NO. WHEN ORDERING

ITT GEMINI

Signetics

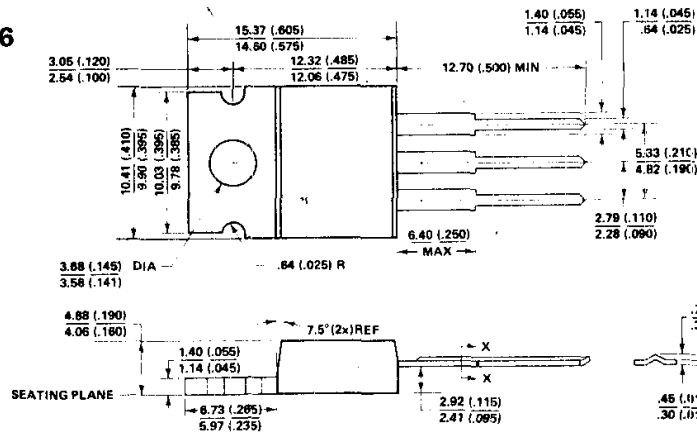
Outline Drawings



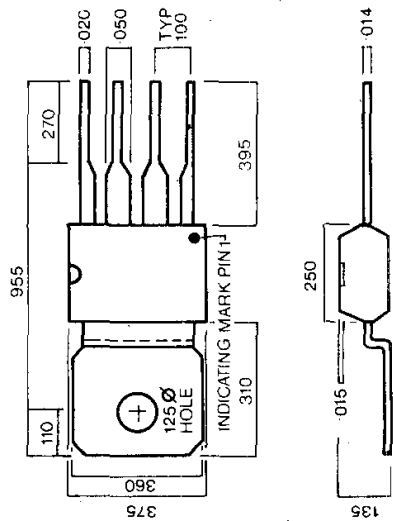
GEMINI

FOR CURRENT PRICES PHONE HARLOW (0279) 29644

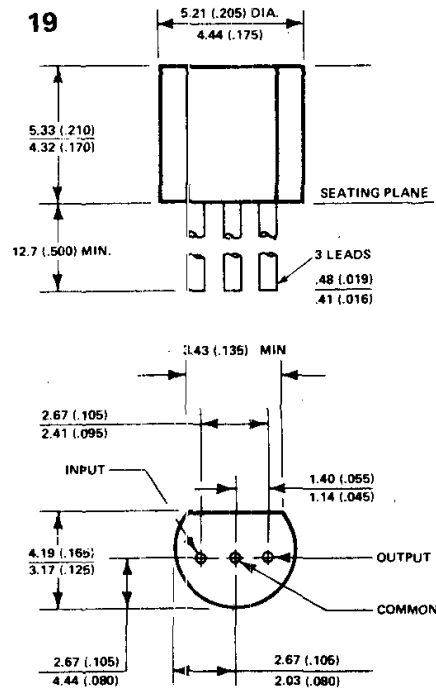
16



17



19

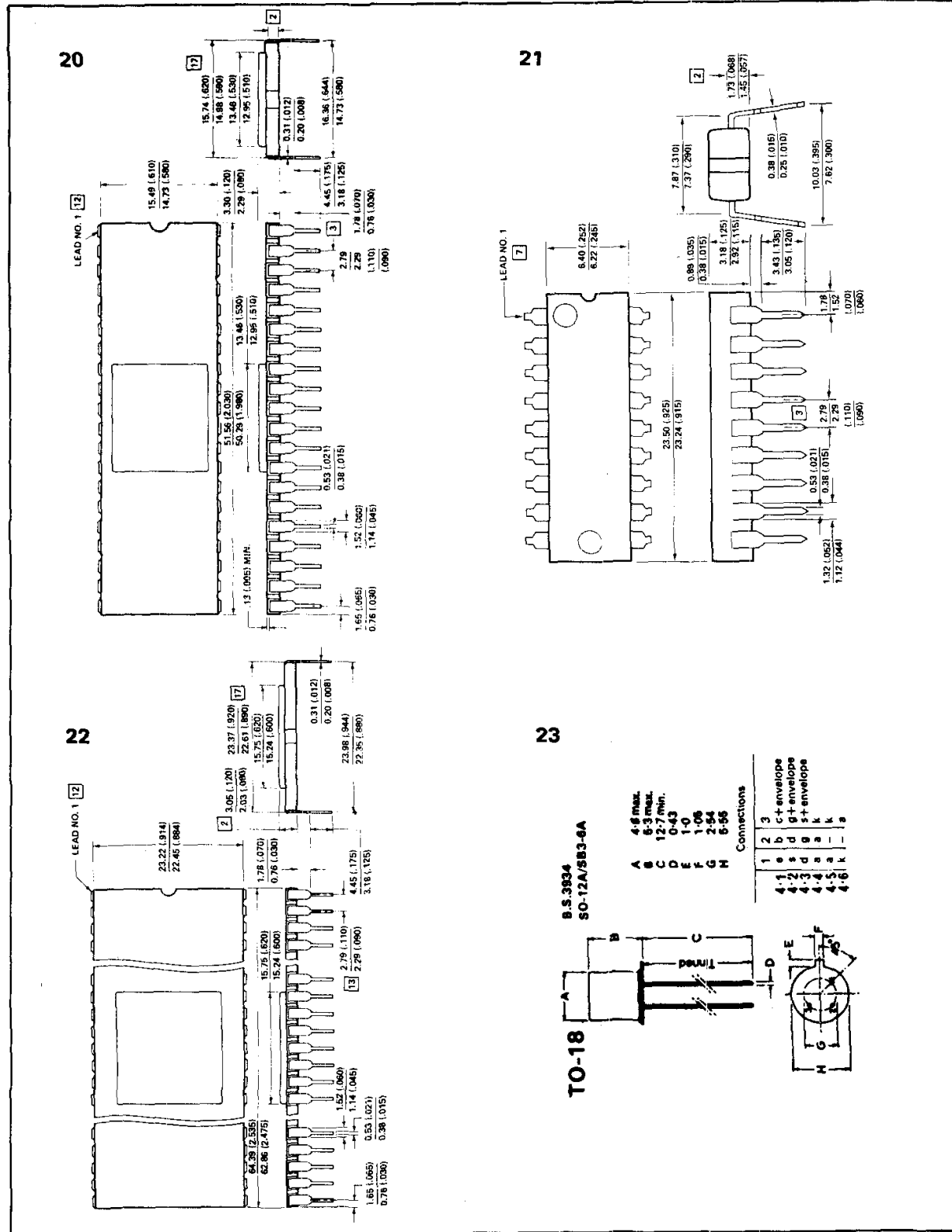


PLEASE QUOTE STOCK NO.
AND MANUFACTURERS PART NO. WHEN ORDERING

ITT GEMINI

Signetics

Outline Drawings



FOR CURRENT PRICES PHONE HARLOW (0279) 29644