

INSTALLATION COMPLY WITH LOCAL INSTALLATION REGULATIONS

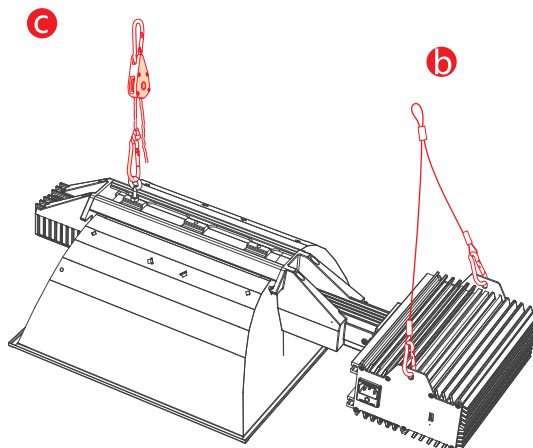
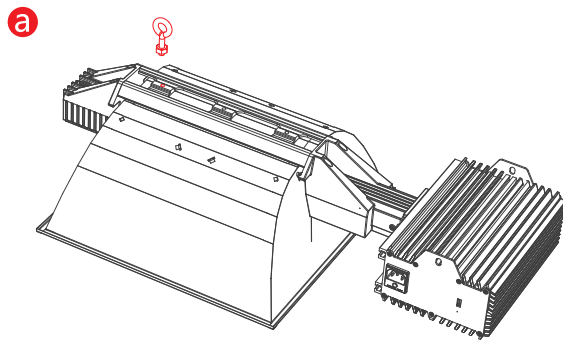
These fixtures are suitable for a damp indoor location. Do not install your fixtures in a wet environment or outdoors. Do not operate these fixtures close to combustible materials. The lamp and reflector will get hot during operation. Do not touch the reflector or lamp during or right after operation. Make sure the power cord does not touch any hot part of the fixture. Make sure the lamp is clean and inserted correctly. A normal operating environment temperature should be below 122°F. Exceeding the maximum environmental temperature will stress electronic components, which will lead to shorter lifetime and decreased reliability. When using a NCCS RTU in the USB port of a Nanolux ballast, the Dimming function control dial on the ballast will be taken out of function.

RTU is removed from the ballast during operation OR the RTU loses communication with the DTU for any reason, the ballast will automatically turn off after 10 minutes. The ballast has to be unplugged from the power source and turned back on to reset. The ballast will then run in regular mode (no NCCS) or if a RTU is plugged in, it will operate in NCCS mode. If the ballast continues to turn off for any reason during operation with the RTU in NCCS mode, replace the RTU and confirm it is communicating with the DTU. For further NCCS APP customer support and tech support pages, visit www.nanoluxtech.com.

FIXTURE HANGING

Fixture hanging equipment included with unit for necessary mounting.

1. Attach the ring bolt to the reflector support frame(a).
2. Attach the carabiners on the steel wire hanger to ballast hanging holes(b).
3. Hang the fixture in the desired location(c).



SUITABLE LAMPS

The Nanolux CMH 630NC-DLF Ceramic Metal Halide fixtures are designed and tested to drive Ceramic Metal Halide (CMH) lamps only. Do not use any other type of lamp or rated wattage, which may cause damage to your ballast and lamp.

MAINTENANCE

There are no serviceable parts inside the luminaire. Opening the luminaire will void warranty. Keep housing clean from dust and dirt with a dry or damp cloth to ensure optimal cooling. When using a damp cloth disconnect from the power first. Check your electrical connections regularly.

WARRANTY

Nanolux Technology warrants the mechanical and electronic components of the Nanolux CMH 630NC-DLF fixture to be free of defects in material and workmanship if used under normal operating conditions for a period of three (3) years from the original date of purchase. If the product shows any defects within this period and that defect is not due to user error or improper use Nanolux Technology shall, at its discretion, either replace or repair the product using suitable new or refurbished parts. For Nanolux DE HPS lamps and reflector the warranty period is one (1) year from the original date of purchase. In case Nanolux decides to replace the entire product, this limited warranty shall apply to the replacement ballast for the remaining initial warranty period, i.e. three (3) years from the date of purchase of the original product. For service return the ballast to your shop with the **original sales receipt**.

For more information about Nanolux product please visit nanoluxtech.com



PATENTED PRODUCTS, COUNTERFEITING NOT ALLOWED.

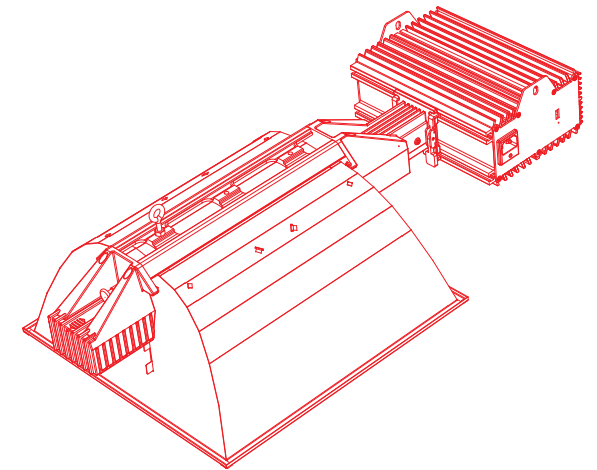
Designed by NANOLUX in California
Made in China

OPERATING MANUAL

DIGITAL ELECTRONIC
BALLAST

**CMH-630NC-DLF
315X2**

NCCS APP COMPATIBLE



NANOLUX CMH
www.nanoluxtech.com
Illuminating Your Grow

PLEASE READ THESE INSTRUCTIONS FIRST BEFORE INSTALLATION

Congratulations on the purchase of your new Nanolux CMH 630NC-DLF fixture. We have done everything to insure a long operating life and safe product but the installation and use of the ballast is the responsibility of the user. Incorrect use or installation can lead to failure and damage to the ballast. Damage to the fixture and electronic circuitry as a result of incorrect installation or use revokes your warranty. Read this manual carefully before installing your fixture.

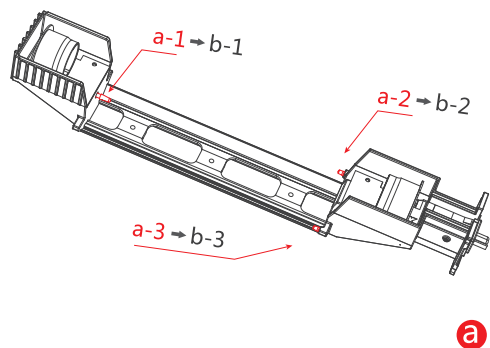
TECHNICAL SPECIFICATIONS

Model	CMH-630NC-DLF 315x2 No Fan
Input Voltage	120VAC/208VAC/220VAC/240VAC, 277VAC(Optional)
Output Voltage	80VAC-150VAC
Input Frequency	50Hz-60Hz
Output Power	630W Max
Power Factor	≥0.99
Crest Factor	≤1.7
THD	≤10%
Dimming	None
Strike Lamp	CMH 315W(2pcs)
Protection Function	Over Temperature;Over/Under Voltage;Open/Short Circuit
Size (L*W*H)	700 * 295 * 210mm (27.6 * 11.6 * 8.3 inch)
Weight	5.5 kgs(12.2lbs)

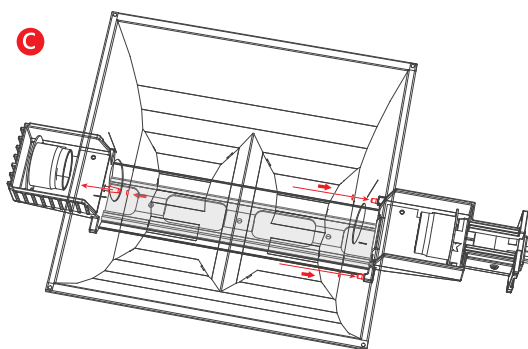
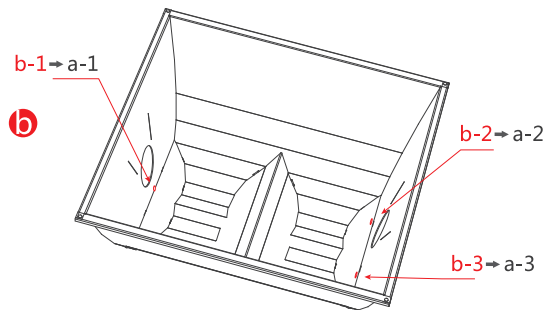
REFLECTOR/LAMP HOLDER INSTALLMENT

The Nanolux CMH 630NC-DLF fixture should be handled with care. If it is damaged in any way you should replace it. We recommend to change the reflector every year for optimal results. Replacement reflectors are available through your Nanolux Technology reseller.

To replace the reflector, you must remove the lamp first as described above in how to install the lamp. Let the reflector cool down if it has been operating to prevent an injury. At the end of the reflector bracket, you will find a chrome knob. Pull the knob outward to release the pin holding the reflector in place (a-1). The reflector can then be pulled away from the ballast end of the bracket to remove it from the two pins holding it in place (a-2 & a-3). When inserting the new reflector, slide it into the two pins (a-2 & a-3).

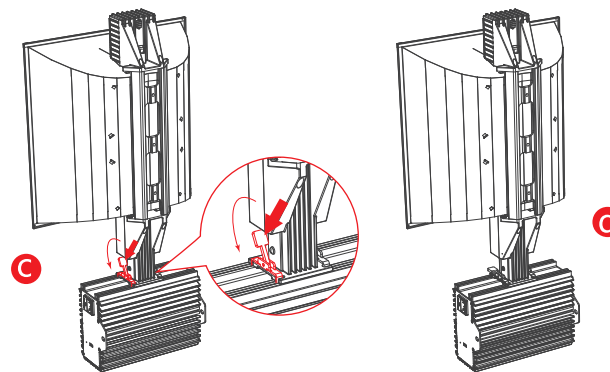
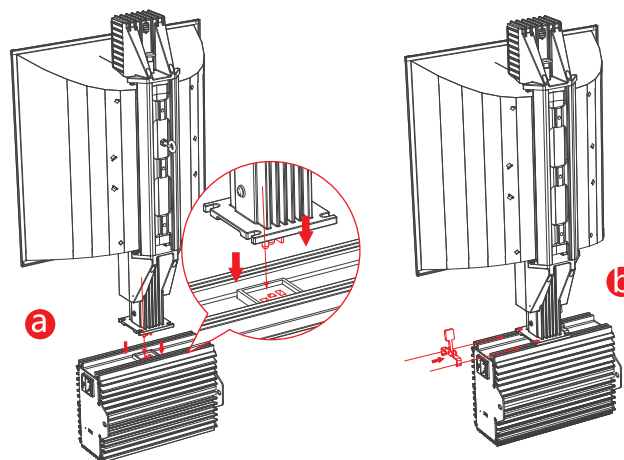


-01-



INSTALL FIXTURE ON BALLAST

1. Shut off the power.
2. Hold the fixture from its base and plug in the fixture by inserting terminal into the socket.
3. Slide the fast mounting clips to the fixture base groove until they are in place to hold the fixture.
4. Press the fast mounting lever to lock in place.
5. Confirm the fixture is installed on ballast properly and is not loose.



-02-

LAMP INSTALLMENT

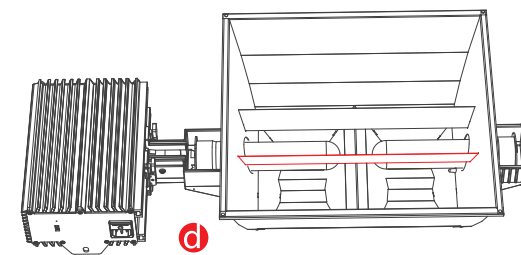
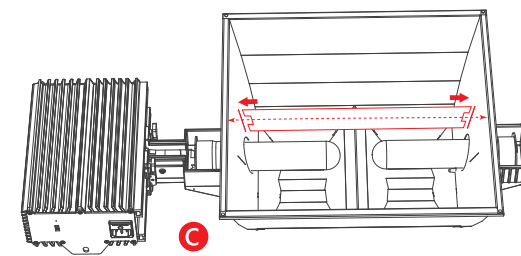
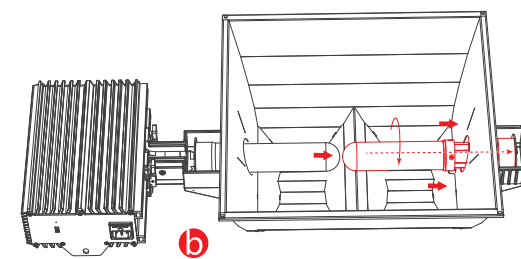
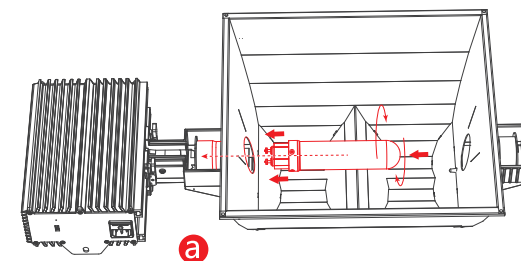
TO TAKE OUT A LAMP:

- DISCONNECT THE MAIN POWER FIRST
- The base has two prongs that are twisted counter-clockwise then pulled outward. It is recommended to handle and hold the lamp by its base in order to prevent breaking the lamp.

TO INSTALL A NEW LAMP:

- DISCONNECT THE MAIN POWER FIRST
- Make sure the lamp is clean, wear cotton gloves and clean the lamp after installation with a dry soft cloth. Never use detergents to clean a lamp, use pure alcohol or whip clean with a dry clean soft cloth.
- Hold the lamp from its base and Plug in the lamp by inserting terminals into the sockets and press together firmly.
- Turn the lamp in a clockwise to lock in place(or lock)
- Wipe the lamp with a clean soft cloth.
- Be sure not to touch the reflective material of the reflector with your bare hands.

- Make sure both of the two lamps work properly. If one lamp is damaged, the other will not work properly.



-03-