

To our customers,

---

## Old Company Name in Catalogs and Other Documents

---

On April 1<sup>st</sup>, 2010, NEC Electronics Corporation merged with Renesas Technology Corporation, and Renesas Electronics Corporation took over all the business of both companies. Therefore, although the old company name remains in this document, it is a valid Renesas Electronics document. We appreciate your understanding.

Renesas Electronics website: <http://www.renesas.com>

April 1<sup>st</sup>, 2010  
Renesas Electronics Corporation

Issued by: Renesas Electronics Corporation (<http://www.renesas.com>)

Send any inquiries to <http://www.renesas.com/inquiry>.

Not recommended  
for new design

## Notice

1. All information included in this document is current as of the date this document is issued. Such information, however, is subject to change without any prior notice. Before purchasing or using any Renesas Electronics products listed herein, please confirm the latest product information with a Renesas Electronics sales office. Also, please pay regular and careful attention to additional and different information to be disclosed by Renesas Electronics such as that disclosed through our website.
2. Renesas Electronics does not assume any liability for infringement of patents, copyrights, or other intellectual property rights of third parties by or arising from the use of Renesas Electronics products or technical information described in this document. No license, express, implied or otherwise, is granted hereby under any patents, copyrights or other intellectual property rights of Renesas Electronics or others.
3. You should not alter, modify, copy, or otherwise misappropriate any Renesas Electronics product, whether in whole or in part.
4. Descriptions of circuits, software and other related information in this document are provided only to illustrate the operation of semiconductor products and application examples. You are fully responsible for the incorporation of these circuits, software, and information in the design of your equipment. Renesas Electronics assumes no responsibility for any losses incurred by you or third parties arising from the use of these circuits, software, or information.
5. When exporting the products or technology described in this document, you should comply with the applicable export control laws and regulations and follow the procedures required by such laws and regulations. You should not use Renesas Electronics products or the technology described in this document for any purpose relating to military applications or use by the military, including but not limited to the development of weapons of mass destruction. Renesas Electronics products and technology may not be used for or incorporated into any products or systems whose manufacture, use, or sale is prohibited under any applicable domestic or foreign laws or regulations.
6. Renesas Electronics has used reasonable care in preparing the information included in this document, but Renesas Electronics does not warrant that such information is error free. Renesas Electronics assumes no liability whatsoever for any damages incurred by you resulting from errors in or omissions from the information included herein.
7. Renesas Electronics products are classified according to the following three quality grades: “Standard”, “High Quality”, and “Specific”. The recommended applications for each Renesas Electronics product depends on the product’s quality grade, as indicated below. You must check the quality grade of each Renesas Electronics product before using it in a particular application. You may not use any Renesas Electronics product for any application categorized as “Specific” without the prior written consent of Renesas Electronics. Further, you may not use any Renesas Electronics product for any application for which it is not intended without the prior written consent of Renesas Electronics. Renesas Electronics shall not be in any way liable for any damages or losses incurred by you or third parties arising from the use of any Renesas Electronics product for an application categorized as “Specific” or for which the product is not intended where you have failed to obtain the prior written consent of Renesas Electronics. The quality grade of each Renesas Electronics product is “Standard” unless otherwise expressly specified in a Renesas Electronics data sheets or data books, etc.
  - “Standard”: Computers; office equipment; communications equipment; test and measurement equipment; audio and visual equipment; home electronic appliances; machine tools; personal electronic equipment; and industrial robots.
  - “High Quality”: Transportation equipment (automobiles, trains, ships, etc.); traffic control systems; anti-disaster systems; anti-crime systems; safety equipment; and medical equipment not specifically designed for life support.
  - “Specific”: Aircraft; aerospace equipment; submersible repeaters; nuclear reactor control systems; medical equipment or systems for life support (e.g. artificial life support devices or systems), surgical implantations, or healthcare intervention (e.g. excision, etc.), and any other applications or purposes that pose a direct threat to human life.
8. You should use the Renesas Electronics products described in this document within the range specified by Renesas Electronics, especially with respect to the maximum rating, operating supply voltage range, movement power voltage range, heat radiation characteristics, installation and other product characteristics. Renesas Electronics shall have no liability for malfunctions or damages arising out of the use of Renesas Electronics products beyond such specified ranges.
9. Although Renesas Electronics endeavors to improve the quality and reliability of its products, semiconductor products have specific characteristics such as the occurrence of failure at a certain rate and malfunctions under certain use conditions. Further, Renesas Electronics products are not subject to radiation resistance design. Please be sure to implement safety measures to guard them against the possibility of physical injury, and injury or damage caused by fire in the event of the failure of a Renesas Electronics product, such as safety design for hardware and software including but not limited to redundancy, fire control and malfunction prevention, appropriate treatment for aging degradation or any other appropriate measures. Because the evaluation of microcomputer software alone is very difficult, please evaluate the safety of the final products or system manufactured by you.
10. Please contact a Renesas Electronics sales office for details as to environmental matters such as the environmental compatibility of each Renesas Electronics product. Please use Renesas Electronics products in compliance with all applicable laws and regulations that regulate the inclusion or use of controlled substances, including without limitation, the EU RoHS Directive. Renesas Electronics assumes no liability for damages or losses occurring as a result of your noncompliance with applicable laws and regulations.
11. This document may not be reproduced or duplicated, in any form, in whole or in part, without prior written consent of Renesas Electronics.
12. Please contact a Renesas Electronics sales office if you have any questions regarding the information contained in this document or Renesas Electronics products, or if you have any other inquiries.

(Note 1) “Renesas Electronics” as used in this document means Renesas Electronics Corporation and also includes its majority-owned subsidiaries.

(Note 2) “Renesas Electronics product(s)” means any product developed or manufactured by or for Renesas Electronics.

## 2SC5702

Silicon NPN Epitaxial  
High Frequency Amplifier / Oscillator

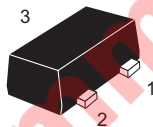
REJ03G0752-0200  
(Previous ADE-208-1414)  
Rev.2.00  
Aug.10.2005

### Features

- High gain bandwidth product  
 $f_T = 8 \text{ GHz typ.}$
- High power gain and low noise figure ;  
 $PG = 13 \text{ dB typ.}, NF = 1.05 \text{ dB typ. at } f = 900 \text{ MHz}$

### Outline

RENESAS Package code: PUSF0003ZA-A  
(Package name: MFPAK<sup>®</sup>)



1. Emitter
2. Base
3. Collector

Note: Marking is "ZS-".

\*MFPAK is a trademark of Renesas Technology Corp.

### Absolute Maximum Ratings

( $T_a = 25^\circ\text{C}$ )

Item	Symbol	Ratings	Unit
Collector to base voltage	$V_{CBO}$	15	V
Collector to emitter voltage	$V_{CEO}$	6	V
Emitter to base voltage	$V_{EBO}$	1.5	V
Collector current	$I_C$	50	mA
Collector power dissipation	$P_C$	80	mW
Junction temperature	$T_j$	150	$^\circ\text{C}$
Storage temperature	$T_{stg}$	-55 to +150	$^\circ\text{C}$

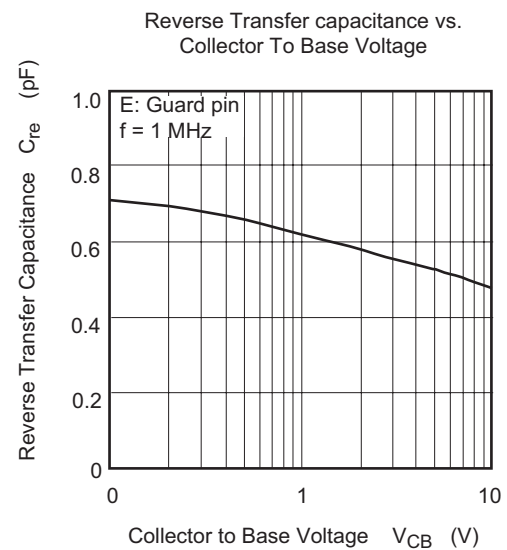
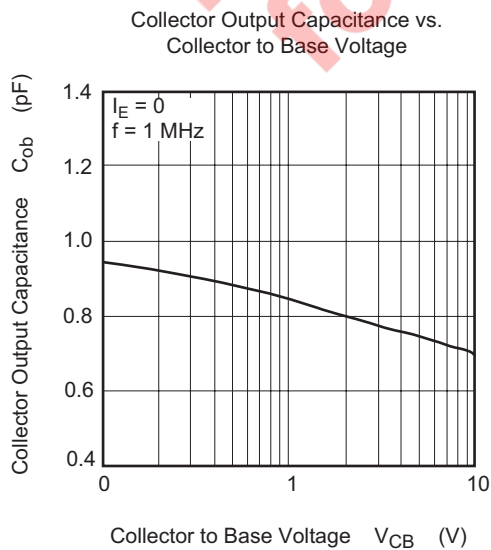
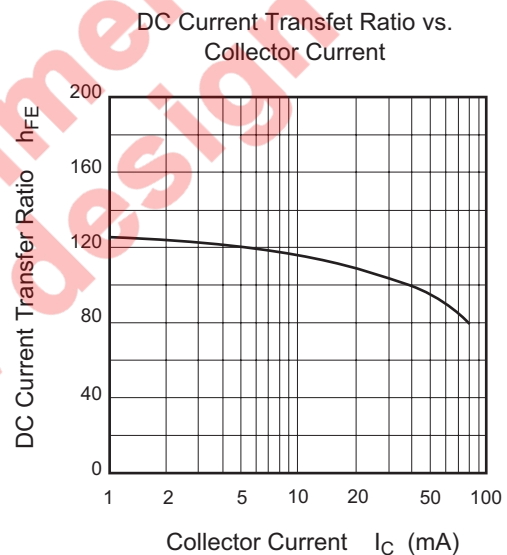
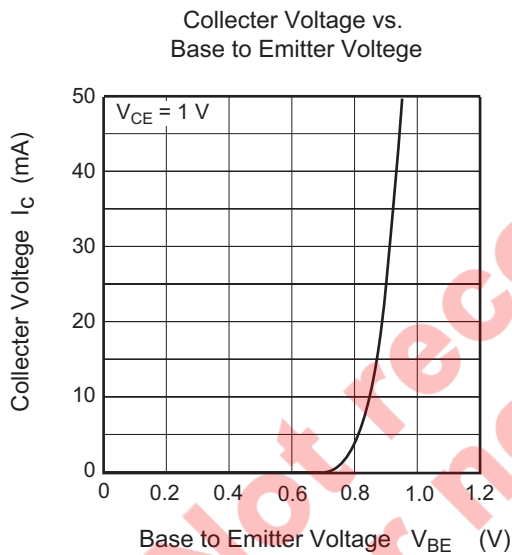
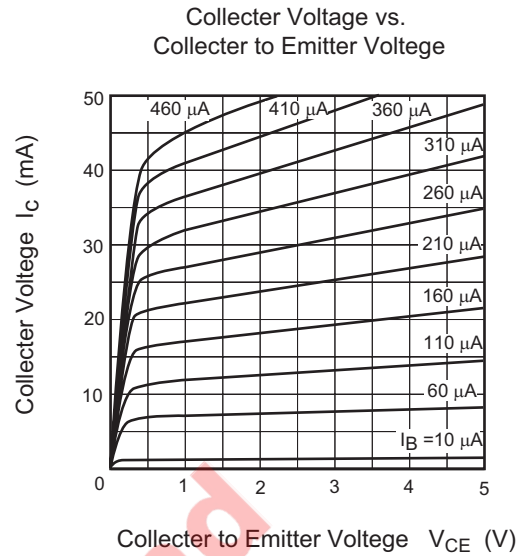
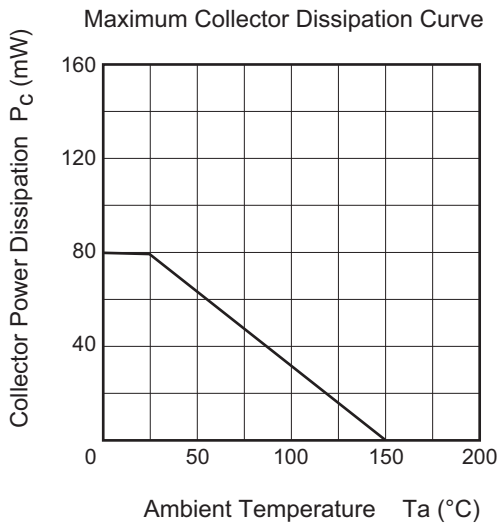
## Electrical Characteristics

(Ta = 25°C)

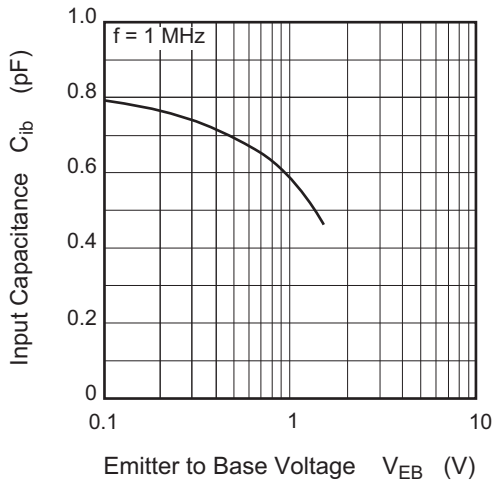
Item	Symbol	Min	Typ	Max	Unit	Test Conditions
Collector to base breakdown voltage	$V_{(BR)CBO}$	15	18.5	—	V	$I_C = 10 \mu A, I_E = 0$
Collector cutoff current	$I_{CBO}$	—	—	1	$\mu A$	$V_{CB} = 10 V, I_E = 0$
Collector cutoff current	$I_{CEO}$	—	—	1	mA	$V_{CE} = 4 V, R_{BE} = \infty$
Emitter cutoff current	$I_{EBO}$	—	—	10	mA	$V_{EB} = 1.5V, I_C = 0$
DC current transfer ratio	$h_{FE}$	80	120	160		$V_{CE} = 1 V, I_C = 5 mA$
Collector output capacitance	$C_{ob}$	—	0.85	1.2	pF	$V_{CB} = 1 V, I_E = 0$ $f = 1 MHz$
Gain bandwidth product	$f_T$	6.5	8.0	—	GHz	$V_{CE} = 1 V, I_C = 5 mA$ $f = 1 MHz$
Power gain	PG	11	13	—	dB	$V_{CE} = 1 V, I_C = 5 mA$ $f = 900 MHz$
Noise figure	NF	—	1.05	1.9	dB	$V_{CE} = 1 V, I_C = 5 mA$ $f = 900 MHz$

Not recommended  
for new design

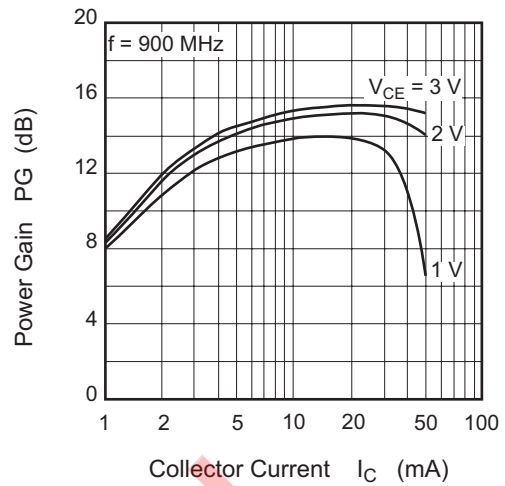
Main Characteristics



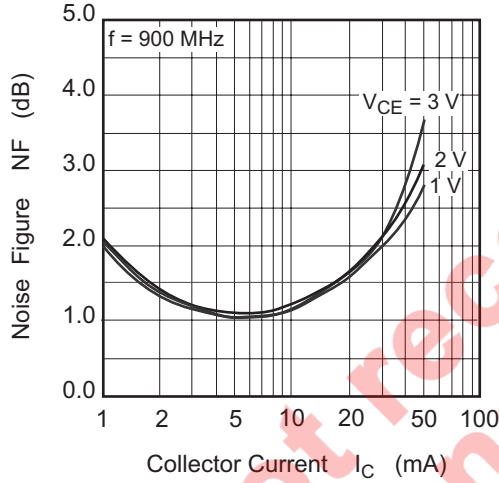
Collector Input Capacitance vs. Emitter To Base Voltage



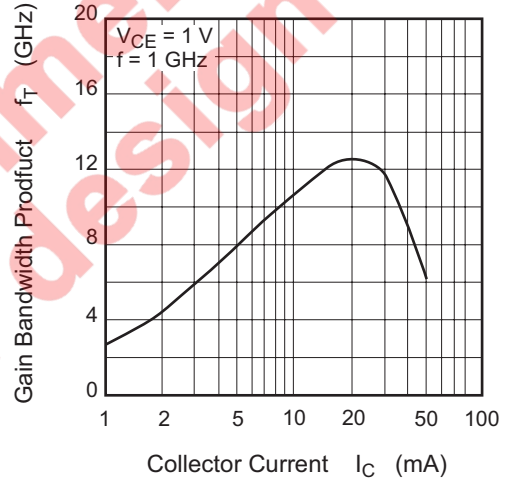
Power Gain vs. Collector Current



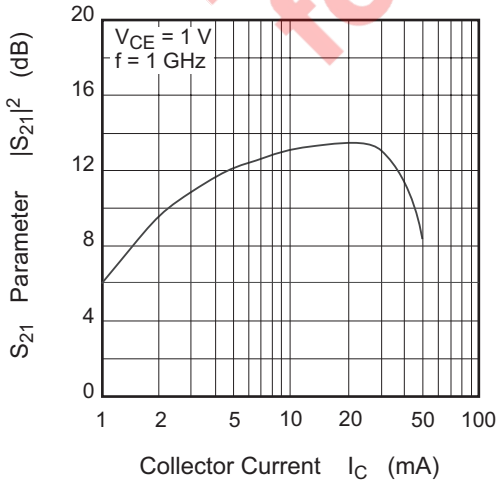
Noise Figure vs. Collector Current



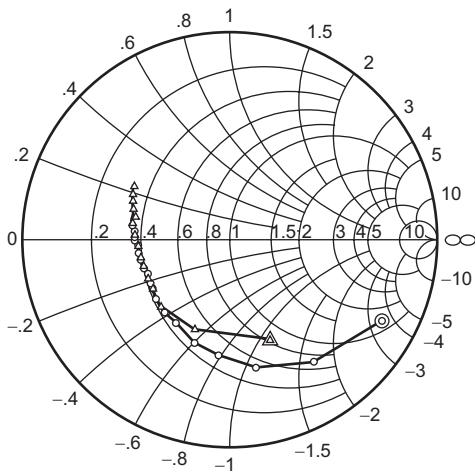
Gain Bandwidth Product vs. Collector Current



$S_{21}$  Parameter vs. Collector Current

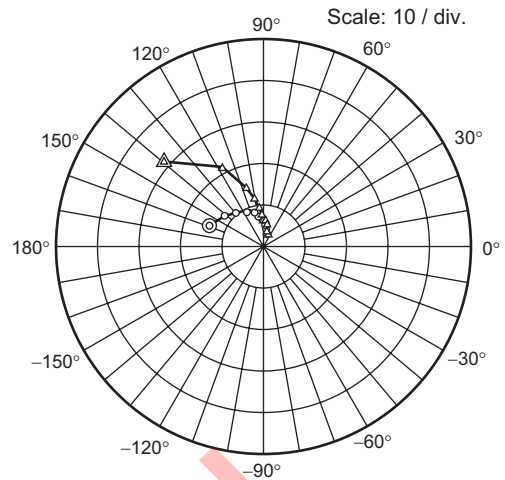


S11 Parameter vs. Frequency



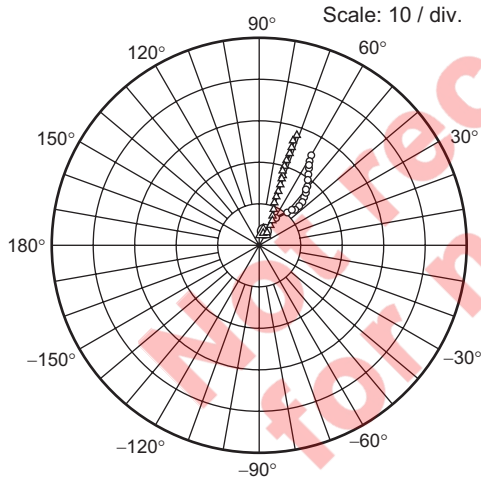
Condition :  $V_{CE} = 1\text{ V}$ ,  $Z_o = 50\ \Omega$   
 100 to 2000 MHz (100 MHz STEP)  
 ○—○ ( $I_C = 5\text{ mA}$ )  
 △—△ ( $I_C = 20\text{ mA}$ )

S21 Parameter vs. Frequency



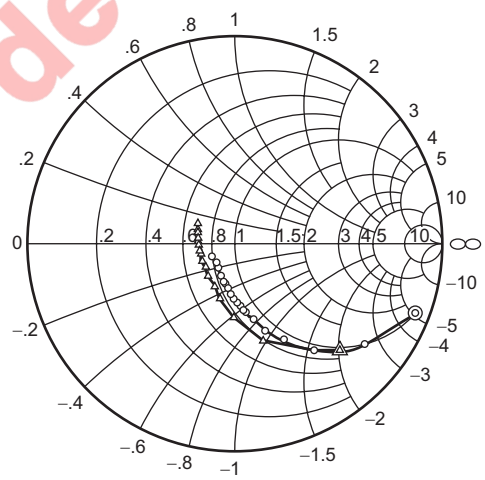
Condition :  $V_{CE} = 1\text{ V}$ ,  $Z_o = 50\ \Omega$   
 100 to 2000 MHz (100 MHz STEP)  
 ○—○ ( $I_C = 5\text{ mA}$ )  
 △—△ ( $I_C = 20\text{ mA}$ )

S12 Parameter vs. Frequency

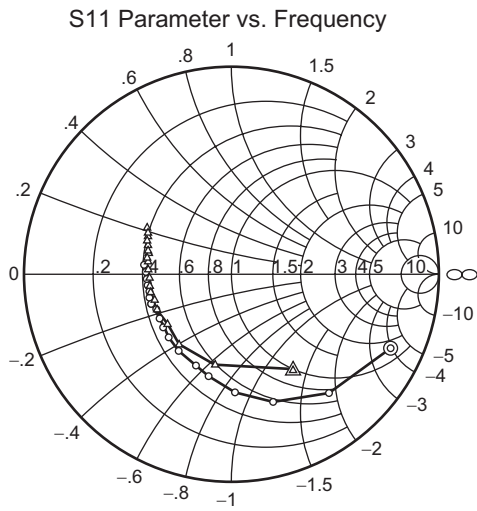


Condition :  $V_{CE} = 1\text{ V}$ ,  $Z_o = 50\ \Omega$   
 100 to 2000 MHz (100 MHz STEP)  
 ○—○ ( $I_C = 5\text{ mA}$ )  
 △—△ ( $I_C = 20\text{ mA}$ )

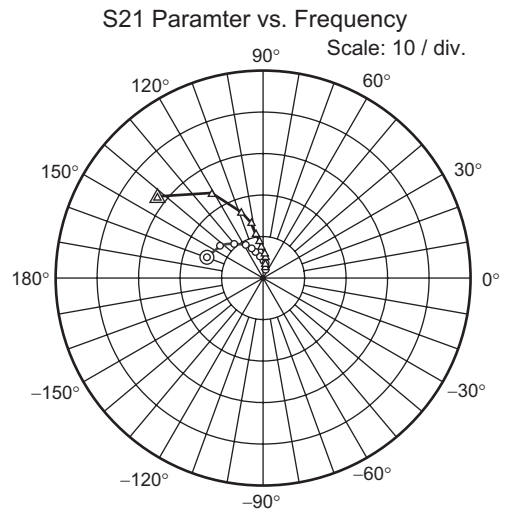
S22 Parameter vs. Frequency



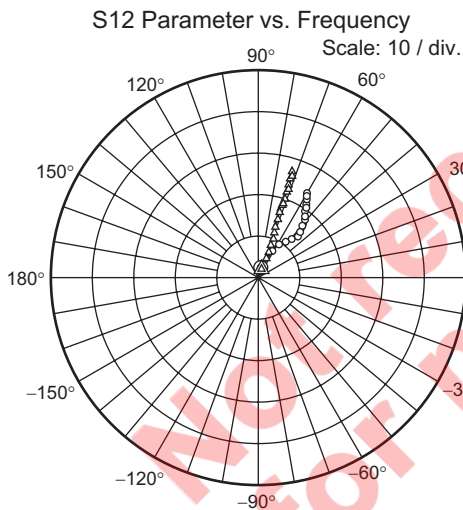
Condition :  $V_{CE} = 1\text{ V}$ ,  $Z_o = 50\ \Omega$   
 100 to 2000 MHz (100 MHz STEP)  
 ○—○ ( $I_C = 5\text{ mA}$ )  
 △—△ ( $I_C = 20\text{ mA}$ )



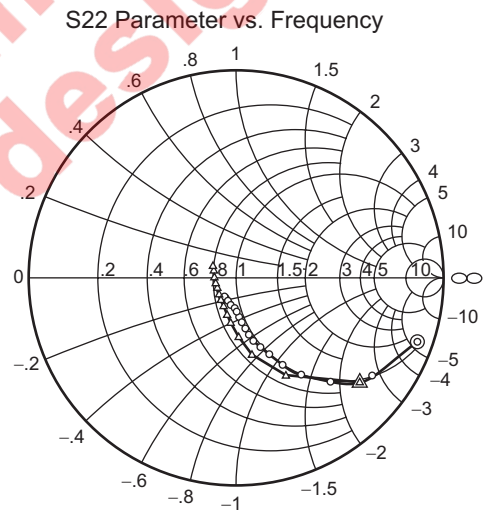
Condition :  $V_{CE} = 2\text{ V}$ ,  $Z_o = 50\ \Omega$   
 100 to 2000 MHz (100 MHz STEP)  
 ○—○ ( $I_C = 5\text{ mA}$ )  
 △—△ ( $I_C = 20\text{ mA}$ )



Condition :  $V_{CE} = 2\text{ V}$ ,  $Z_o = 50\ \Omega$   
 100 to 2000 MHz (100 MHz STEP)  
 ○—○ ( $I_C = 5\text{ mA}$ )  
 △—△ ( $I_C = 20\text{ mA}$ )



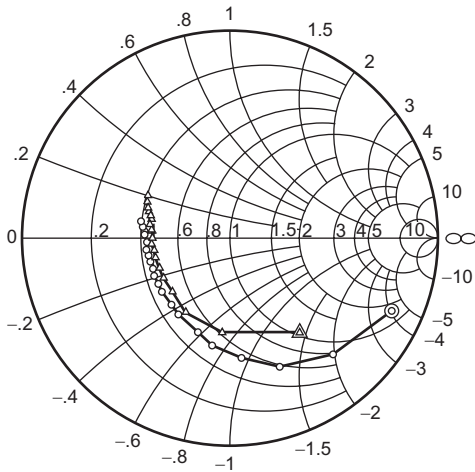
Condition :  $V_{CE} = 2\text{ V}$ ,  $Z_o = 50\ \Omega$   
 100 to 2000 MHz (100 MHz STEP)  
 ○—○ ( $I_C = 5\text{ mA}$ )  
 △—△ ( $I_C = 20\text{ mA}$ )



Condition :  $V_{CE} = 2\text{ V}$ ,  $Z_o = 50\ \Omega$   
 100 to 2000 MHz (100 MHz STEP)  
 ○—○ ( $I_C = 5\text{ mA}$ )  
 △—△ ( $I_C = 20\text{ mA}$ )

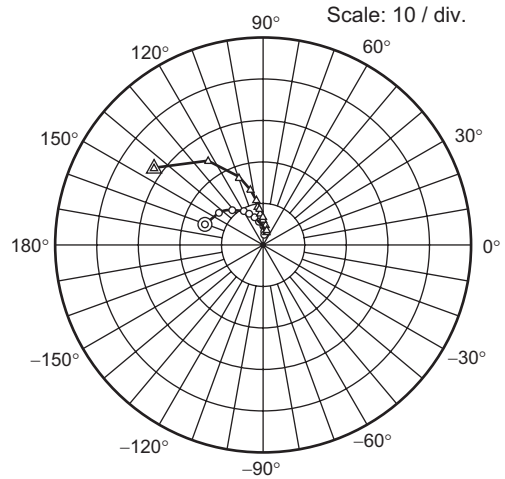


S11 Parameter vs. Frequency



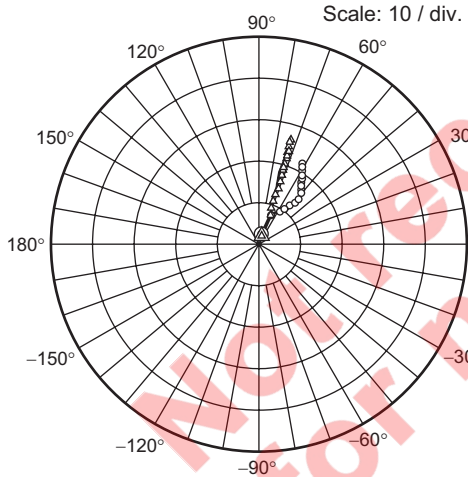
Condition :  $V_{CE} = 3\text{ V}$ ,  $Z_o = 50\ \Omega$   
 100 to 2000 MHz (100 MHz STEP)  
 ○—○ ( $I_C = 5\text{ mA}$ )  
 △—△ ( $I_C = 20\text{ mA}$ )

S21 Parameter vs. Frequency



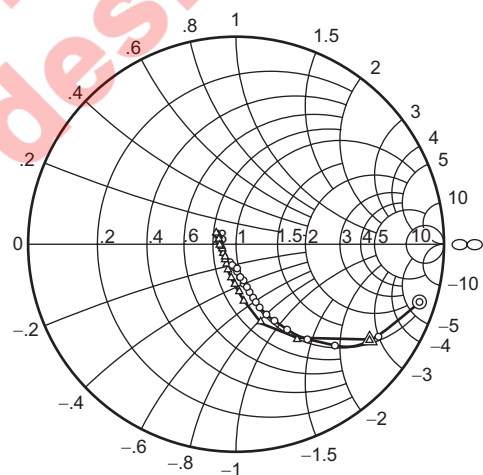
Condition :  $V_{CE} = 3\text{ V}$ ,  $Z_o = 50\ \Omega$   
 100 to 2000 MHz (100 MHz STEP)  
 ○—○ ( $I_C = 5\text{ mA}$ )  
 △—△ ( $I_C = 20\text{ mA}$ )

S12 Parameter vs. Frequency



Condition :  $V_{CE} = 3\text{ V}$ ,  $Z_o = 50\ \Omega$   
 100 to 2000 MHz (100 MHz STEP)  
 ○—○ ( $I_C = 5\text{ mA}$ )  
 △—△ ( $I_C = 20\text{ mA}$ )

S21 Parameter vs. Frequency



Condition :  $V_{CE} = 3\text{ V}$ ,  $Z_o = 50\ \Omega$   
 100 to 2000 MHz (100 MHz STEP)  
 ○—○ ( $I_C = 5\text{ mA}$ )  
 △—△ ( $I_C = 20\text{ mA}$ )

## Sparameter

 $(V_{CE} = 1V, I_C = 5mA, Z_o = 50\Omega)$ 

f (MHz)	S11		S21		S12		S22	
	MAG	ANG	MAG	ANG	MAG	ANG	MAG	ANG
100	0.832	-28.2	14.18	159.9	0.0347	74.2	0.927	-20.7
200	0.723	-55.3	12.19	141.4	0.0624	61.4	0.789	-38.8
300	0.636	-78.0	10.17	127.5	0.0806	52.8	0.644	-52.3
400	0.559	-95.2	8.43	117.9	0.0920	48.9	0.532	-61.8
500	0.513	-110.1	7.15	110.6	0.1001	46.8	0.447	-69.1
600	0.473	-121.4	6.15	105.0	0.1065	45.8	0.378	-75.3
700	0.462	-132.4	5.40	100.2	0.1124	46.0	0.327	-79.8
800	0.443	-139.7	4.84	96.4	0.1182	46.7	0.285	-84.6
900	0.432	-148.1	4.32	92.6	0.1236	47.6	0.250	-89.4
1000	0.435	-153.9	3.94	89.6	0.1294	48.7	0.223	-93.3
1100	0.420	-160.5	3.60	87.2	0.1351	49.5	0.200	-97.4
1200	0.438	-165.4	3.33	84.5	0.1410	50.9	0.181	-102.3
1300	0.428	-168.8	3.11	82.2	0.1471	51.9	0.163	-107.4
1400	0.442	-175.3	2.87	80.0	0.1537	53.2	0.151	-111.4
1500	0.444	-177.1	2.75	78.0	0.1601	54.3	0.138	-117.3
1600	0.448	177.3	2.57	76.1	0.1671	55.2	0.130	-121.8
1700	0.464	176.0	2.44	73.9	0.1739	56.2	0.124	-128.5
1800	0.460	172.7	2.34	72.7	0.1810	56.9	0.119	-135.6
1900	0.474	170.1	2.21	70.7	0.1888	57.8	0.116	-142.0
2000	0.481	168.3	2.13	69.1	0.1952	58.6	0.114	-148.5

Not recommended  
for new designs

## Sparameter

 $(V_{CE} = 1V, I_C = 20mA, Z_o = 50\Omega)$ 

f (MHz)	S11		S21		S12		S22	
	MAG	ANG	MAG	ANG	MAG	ANG	MAG	ANG
100	0.534	-68.4	30.97	140.9	0.0258	65.2	0.735	-45.4
200	0.467	-111.9	20.56	119.2	0.0390	57.4	0.489	-73.4
300	0.451	-135.2	14.57	107.9	0.0490	58.2	0.350	-91.3
400	0.434	-149.5	11.16	101.6	0.0581	60.5	0.276	-104.5
500	0.438	-159.1	9.02	97.1	0.0673	63.1	0.231	-115.5
600	0.430	-165.9	7.58	93.7	0.0772	65.0	0.201	-125.9
700	0.441	-172.5	6.52	90.8	0.0872	66.5	0.182	-135.2
800	0.442	-175.8	5.75	88.3	0.0974	67.7	0.170	-144.0
900	0.451	178.4	5.09	86.1	0.1081	68.5	0.164	-152.6
1000	0.456	175.8	4.62	84.0	0.1184	69.5	0.158	-160.2
1100	0.452	171.2	4.22	82.5	0.1291	69.7	0.157	-166.8
1200	0.470	169.0	3.87	80.5	0.1395	70.2	0.158	-173.0
1300	0.462	166.2	3.62	79.0	0.1504	70.2	0.158	-179.2
1400	0.485	162.5	3.34	77.7	0.1608	70.7	0.162	176.1
1500	0.483	162.0	3.16	75.6	0.1719	70.7	0.164	171.1
1600	0.494	158.4	2.98	74.5	0.1826	70.6	0.168	167.2
1700	0.505	157.3	2.81	72.8	0.1935	70.5	0.175	164.0
1800	0.503	155.6	2.69	72.0	0.2040	70.4	0.181	160.4
1900	0.525	152.6	2.54	70.5	0.2148	70.5	0.189	157.1
2000	0.523	152.4	2.45	69.0	0.2247	70.2	0.195	154.1

Not recommended  
for new designs

## Sparameter

 $(V_{CE} = 2V, I_C = 5mA, Z_o = 50\Omega)$ 

f (MHz)	S11		S21		S12		S22	
	MAG	ANG	MAG	ANG	MAG	ANG	MAG	ANG
100	0.837	-25.5	14.31	161.2	0.0306	75.8	0.938	-18.2
200	0.739	-50.1	12.50	143.5	0.0559	63.3	0.813	-34.5
300	0.646	-72.1	10.58	129.9	0.0736	55.0	0.674	-46.5
400	0.565	-88.6	8.85	120.2	0.0848	51.0	0.563	-54.9
500	0.513	-103.4	7.58	112.7	0.0928	48.7	0.476	-61.1
600	0.466	-114.0	6.56	106.9	0.0996	47.7	0.405	-66.1
700	0.444	-125.7	5.77	102.1	0.1055	48.0	0.351	-69.5
800	0.429	-133.3	5.17	98.1	0.1106	48.5	0.307	-72.7
900	0.412	-142.2	4.62	94.1	0.1162	49.2	0.269	-76.1
1000	0.411	-148.8	4.22	91.1	0.1214	50.0	0.239	-78.3
1100	0.395	-155.5	3.87	88.6	0.1276	51.2	0.215	-80.7
1200	0.410	-161.6	3.57	85.7	0.1331	52.3	0.192	-84.0
1300	0.401	-165.3	3.34	83.6	0.1387	53.4	0.171	-86.6
1400	0.413	-172.1	3.08	81.4	0.1447	54.6	0.156	-88.9
1500	0.417	-174.3	2.94	79.1	0.1510	55.8	0.139	-92.9
1600	0.415	-179.2	2.75	77.4	0.1579	56.4	0.128	-95.6
1700	0.431	177.8	2.63	75.0	0.1644	57.6	0.117	-100.4
1800	0.426	175.2	2.50	73.8	0.1709	58.4	0.106	-105.7
1900	0.447	171.4	2.38	71.8	0.1781	59.6	0.097	-112.2
2000	0.450	169.9	2.28	70.1	0.1850	60.2	0.090	-118.3

Not recommended  
for new design

## Sparameter

 $(V_{CE} = 2V, I_C = 20mA, Z_o = 50\Omega)$ 

f (MHz)	S11		S21		S12		S22	
	MAG	ANG	MAG	ANG	MAG	ANG	MAG	ANG
100	0.548	-58.6	32.28	143.9	0.0231	67.8	0.777	-38.8
200	0.451	-99.9	22.20	121.9	0.0363	59.6	0.527	-62.6
300	0.415	-125.6	15.97	110.2	0.0464	60.1	0.373	-76.9
400	0.390	-141.4	12.32	103.5	0.0545	61.7	0.283	-86.7
500	0.392	-152.5	9.97	98.7	0.0632	63.8	0.226	-95.1
600	0.382	-160.9	8.41	95.2	0.0726	65.6	0.184	-102.9
700	0.387	-168.1	7.23	92.0	0.0823	67.1	0.155	-110.3
800	0.387	-172.8	6.39	89.5	0.0914	68.5	0.133	-118.3
900	0.390	-178.6	5.66	87.1	0.1019	69.2	0.117	-127.6
1000	0.399	178.2	5.13	85.0	0.1114	70.2	0.104	-136.9
1100	0.400	172.6	4.69	83.4	0.1213	70.6	0.097	-146.4
1200	0.412	170.4	4.29	81.5	0.1309	71.1	0.092	-156.2
1300	0.409	167.8	4.01	79.9	0.1411	71.1	0.091	-166.0
1400	0.433	163.6	3.70	78.6	0.1518	71.6	0.092	-174.7
1500	0.426	162.4	3.50	76.8	0.1615	71.4	0.093	176.8
1600	0.435	158.8	3.30	75.4	0.1714	71.5	0.097	170.5
1700	0.454	157.9	3.10	73.6	0.1817	71.8	0.103	165.0
1800	0.446	155.5	2.97	72.7	0.1918	71.2	0.109	159.1
1900	0.475	153.5	2.81	71.1	0.2021	71.3	0.117	155.2
2000	0.473	152.7	2.71	69.9	0.2113	71.1	0.125	150.3

Not recommended for new design

## Sparameter

 $(V_{CE} = 3V, I_C = 5mA, Z_o = 50\Omega)$ 

f (MHz)	S11		S21		S12		S22	
	MAG	ANG	MAG	ANG	MAG	ANG	MAG	ANG
100	0.846	-24.1	14.25	161.9	0.0287	75.9	0.9420	-17.0
200	0.748	-48.1	12.56	144.7	0.0534	64.3	0.8245	-32.2
300	0.656	-69.0	10.71	131.2	0.0705	56.4	0.6904	-43.6
400	0.573	-84.9	9.03	121.3	0.0817	52.0	0.5802	-51.5
500	0.516	-99.3	7.75	113.8	0.0895	49.6	0.4932	-57.4
600	0.469	-110.6	6.72	108.0	0.0961	48.6	0.4224	-61.6
700	0.442	-121.8	5.92	102.9	0.1015	48.5	0.3680	-64.4
800	0.423	-130.4	5.31	99.0	0.1071	49.0	0.3229	-67.1
900	0.404	-139.8	4.75	95.2	0.1128	49.9	0.2856	-69.5
1000	0.399	-146.0	4.34	92.0	0.1177	50.7	0.2535	-71.2
1100	0.382	-153.0	3.97	89.3	0.1230	51.7	0.2285	-72.9
1200	0.397	-159.3	3.69	86.5	0.1289	53.2	0.2052	-74.8
1300	0.385	-163.3	3.44	84.5	0.1344	54.2	0.1839	-76.6
1400	0.400	-169.7	3.18	81.8	0.1400	55.1	0.1680	-78.0
1500	0.401	-171.9	3.03	79.7	0.1462	56.2	0.1496	-80.5
1600	0.399	-177.2	2.84	77.8	0.1528	57.4	0.1381	-82.1
1700	0.415	179.5	2.70	75.7	0.1590	58.2	0.1251	-85.4
1800	0.411	176.8	2.57	74.4	0.1658	59.0	0.1122	-89.0
1900	0.430	173.0	2.44	72.3	0.1727	60.1	0.1018	-93.2
2000	0.433	171.4	2.35	70.7	0.1793	61.0	0.0914	-97.8

Not recommended  
for new designs

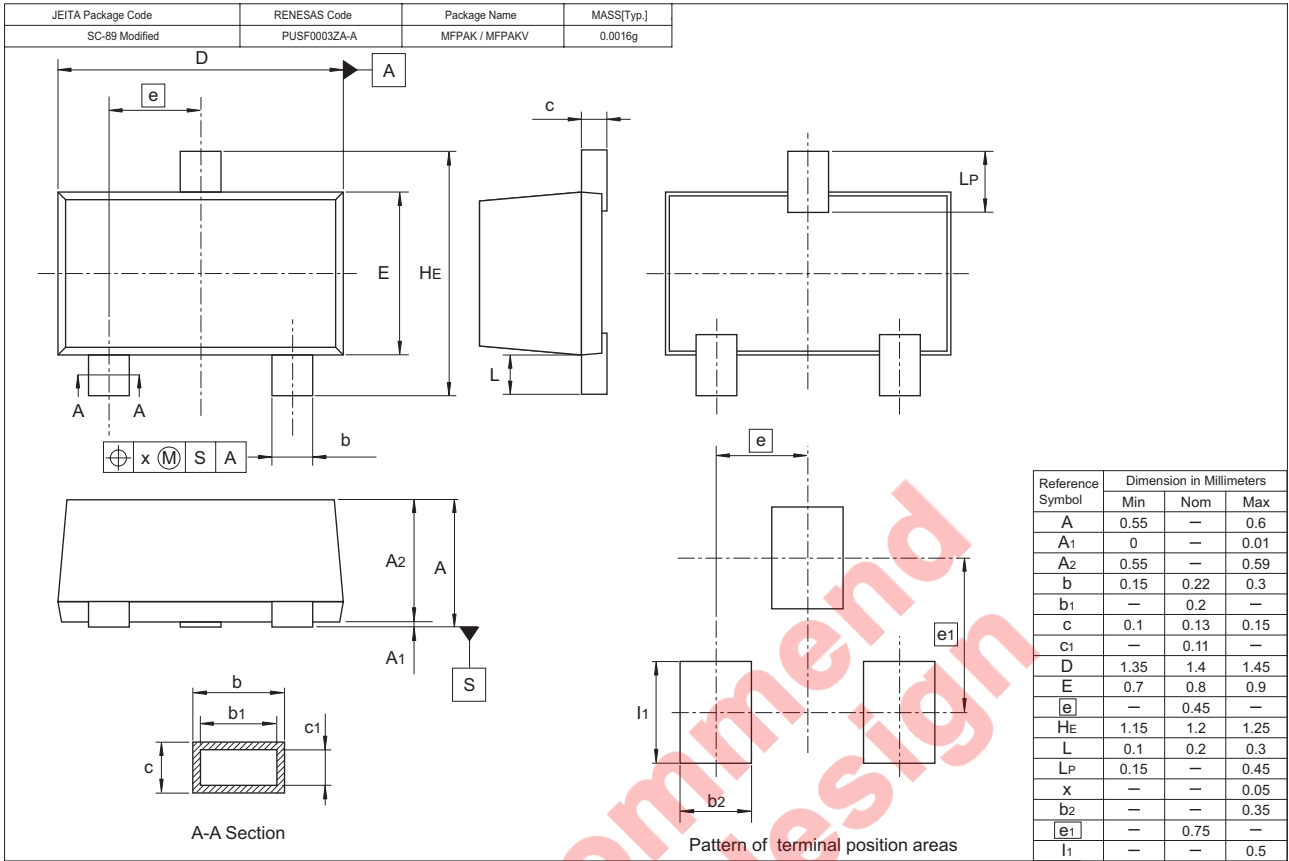
## Sparameter

 $(V_{CE} = 3V, I_C = 20mA, Z_o = 50\Omega)$ 

f (MHz)	S11		S21		S12		S22	
	MAG	ANG	MAG	ANG	MAG	ANG	MAG	ANG
100	0.564	-54.4	32.56	145.1	0.0221	69.2	0.7913	-35.9
200	0.449	-94.6	22.76	123.2	0.0353	60.3	0.5457	-58.3
300	0.408	-119.2	16.50	111.2	0.0448	60.4	0.3871	-71.0
400	0.377	-136.7	12.76	104.4	0.0529	62.0	0.2929	-78.9
500	0.370	-148.4	10.36	99.6	0.0618	64.1	0.2311	-85.4
600	0.360	-157.6	8.71	95.8	0.0707	65.9	0.1861	-91.3
700	0.365	-165.0	7.52	92.7	0.0801	67.5	0.1524	-96.6
800	0.364	-170.4	6.64	90.0	0.0890	68.4	0.1274	-102.7
900	0.366	-176.1	5.87	87.7	0.0991	69.6	0.1061	-110.4
1000	0.370	-179.9	5.33	85.4	0.1081	70.1	0.0893	-117.9
1100	0.373	174.6	4.87	83.7	0.1178	70.6	0.0768	-126.7
1200	0.387	172.5	4.47	81.8	0.1274	71.1	0.0685	-138.6
1300	0.379	168.0	4.16	80.4	0.1375	71.4	0.0630	-150.7
1400	0.409	164.7	3.85	78.9	0.1473	71.7	0.0603	-162.8
1500	0.399	163.4	3.64	77.1	0.1568	71.6	0.0596	-175.0
1600	0.419	159.1	3.43	75.7	0.1667	71.8	0.0631	174.3
1700	0.427	159.5	3.24	73.9	0.1765	71.8	0.0681	166.3
1800	0.427	156.2	3.09	73.2	0.1862	71.3	0.0757	157.4
1900	0.446	154.6	2.93	71.8	0.1963	71.7	0.0829	152.5
2000	0.444	153.5	2.80	70.2	0.2057	71.4	0.0914	146.9

Not recommended for new designs

### Package Dimensions



### Ordering Information

Part Name	Quantity	Shipping Container
2SC5702ZS-TL-E	9000	φ 178 mm Reel, 8 mm Emboss Taping

Note: For some grades, production may be terminated. Please contact the Renesas sales office to check the state of production before ordering the product.



## Renesas Technology Corp. Sales Strategic Planning Div. Nippon Bldg., 2-6-2, Ohte-machi, Chiyoda-ku, Tokyo 100-0004, Japan

Keep safety first in your circuit designs!

1. Renesas Technology Corp. puts the maximum effort into making semiconductor products better and more reliable, but there is always the possibility that trouble may occur with them. Trouble with semiconductors may lead to personal injury, fire or property damage. Remember to give due consideration to safety when making your circuit designs, with appropriate measures such as (i) placement of substitutive, auxiliary circuits, (ii) use of nonflammable material or (iii) prevention against any malfunction or mishap.

Notes regarding these materials

1. These materials are intended as a reference to assist our customers in the selection of the Renesas Technology Corp. product best suited to the customer's application; they do not convey any license under any intellectual property rights, or any other rights, belonging to Renesas Technology Corp. or a third party.
2. Renesas Technology Corp. assumes no responsibility for any damage, or infringement of any third-party's rights, originating in the use of any product data, diagrams, charts, programs, algorithms, or circuit application examples contained in these materials.
3. All information contained in these materials, including product data, diagrams, charts, programs and algorithms represents information on products at the time of publication of these materials, and are subject to change by Renesas Technology Corp. without notice due to product improvements or other reasons. It is therefore recommended that customers contact Renesas Technology Corp. or an authorized Renesas Technology Corp. product distributor for the latest product information before purchasing a product listed herein.  
The information described here may contain technical inaccuracies or typographical errors.  
Renesas Technology Corp. assumes no responsibility for any damage, liability, or other loss rising from these inaccuracies or errors.  
Please also pay attention to information published by Renesas Technology Corp. by various means, including the Renesas Technology Corp. Semiconductor home page (<http://www.renesas.com>).
4. When using any or all of the information contained in these materials, including product data, diagrams, charts, programs, and algorithms, please be sure to evaluate all information as a total system before making a final decision on the applicability of the information and products. Renesas Technology Corp. assumes no responsibility for any damage, liability or other loss resulting from the information contained herein.
5. Renesas Technology Corp. semiconductors are not designed or manufactured for use in a device or system that is used under circumstances in which human life is potentially at stake. Please contact Renesas Technology Corp. or an authorized Renesas Technology Corp. product distributor when considering the use of a product contained herein for any specific purposes, such as apparatus or systems for transportation, vehicular, medical, aerospace, nuclear, or undersea repeater use.
6. The prior written approval of Renesas Technology Corp. is necessary to reprint or reproduce in whole or in part these materials.
7. If these products or technologies are subject to the Japanese export control restrictions, they must be exported under a license from the Japanese government and cannot be imported into a country other than the approved destination.  
Any diversion or reexport contrary to the export control laws and regulations of Japan and/or the country of destination is prohibited.
8. Please contact Renesas Technology Corp. for further details on these materials or the products contained therein.



### RENEASAS SALES OFFICES

<http://www.renesas.com>

Refer to "<http://www.renesas.com/en/network>" for the latest and detailed information.

#### Renesas Technology America, Inc.

450 Holger Way, San Jose, CA 95134-1368, U.S.A  
Tel: <1> (408) 382-7500, Fax: <1> (408) 382-7501

#### Renesas Technology Europe Limited

Dukes Meadow, Millboard Road, Bourne End, Buckinghamshire, SL8 5FH, U.K.  
Tel: <44> (1628) 585-100, Fax: <44> (1628) 585-900

#### Renesas Technology Hong Kong Ltd.

7th Floor, North Tower, World Finance Centre, Harbour City, 1 Canton Road, Tsimshatsui, Kowloon, Hong Kong  
Tel: <852> 2265-6688, Fax: <852> 2730-6071

#### Renesas Technology Taiwan Co., Ltd.

10th Floor, No.99, Fushing North Road, Taipei, Taiwan  
Tel: <886> (2) 2715-2888, Fax: <886> (2) 2713-2999

#### Renesas Technology (Shanghai) Co., Ltd.

Unit2607 Ruijing Building, No.205 Maoming Road (S), Shanghai 200020, China  
Tel: <86> (21) 6472-1001, Fax: <86> (21) 6415-2952

#### Renesas Technology Singapore Pte. Ltd.

1 Harbour Front Avenue, #06-10, Keppel Bay Tower, Singapore 098632  
Tel: <65> 6213-0200, Fax: <65> 6278-8001

#### Renesas Technology Korea Co., Ltd.

Kukje Center Bldg. 18th Fl., 191, 2-ka, Hangang-ro, Yongsan-ku, Seoul 140-702, Korea  
Tel: <82> 2-796-3115, Fax: <82> 2-796-2145

#### Renesas Technology Malaysia Sdn. Bhd.

Unit 906, Block B, Menara Amcorp, Amcorp Trade Centre, No.18, Jalan Persiaran Barat, 46050 Petaling Jaya, Selangor Darul Ehsan, Malaysia  
Tel: <603> 7955-9390, Fax: <603> 7955-9510