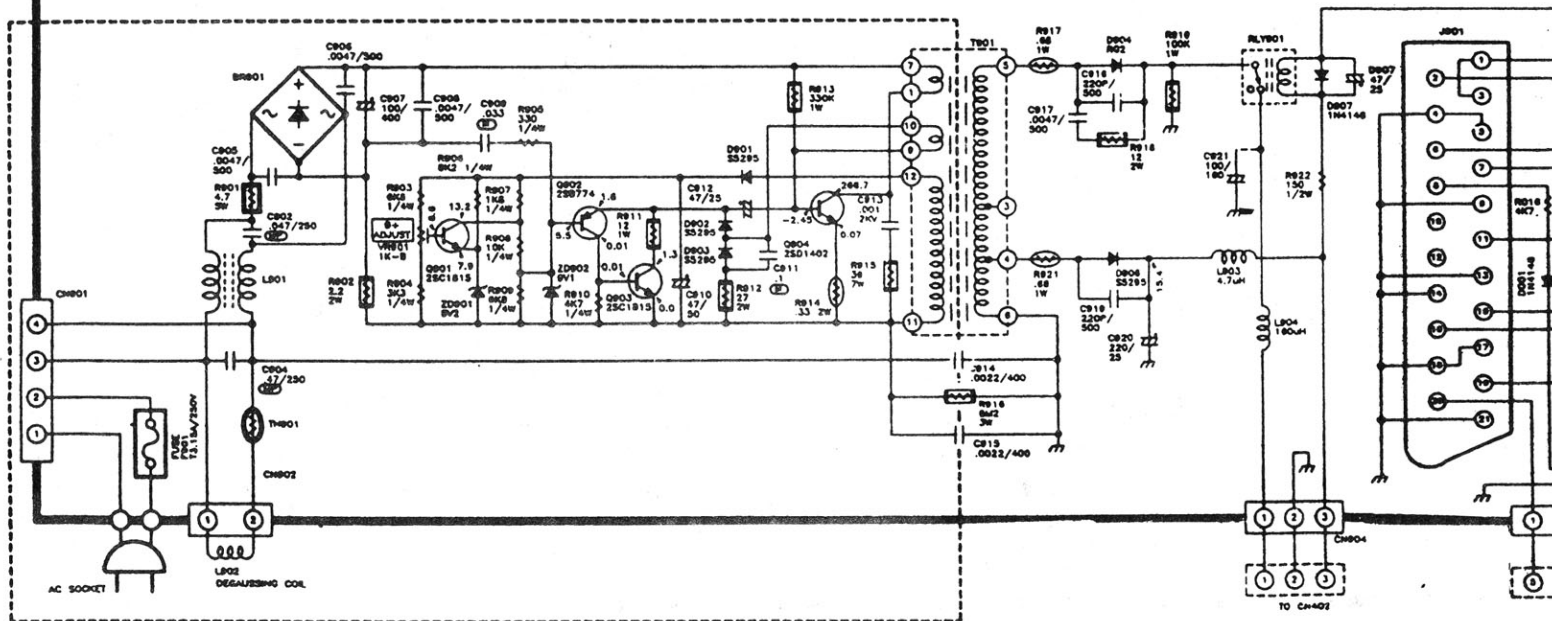
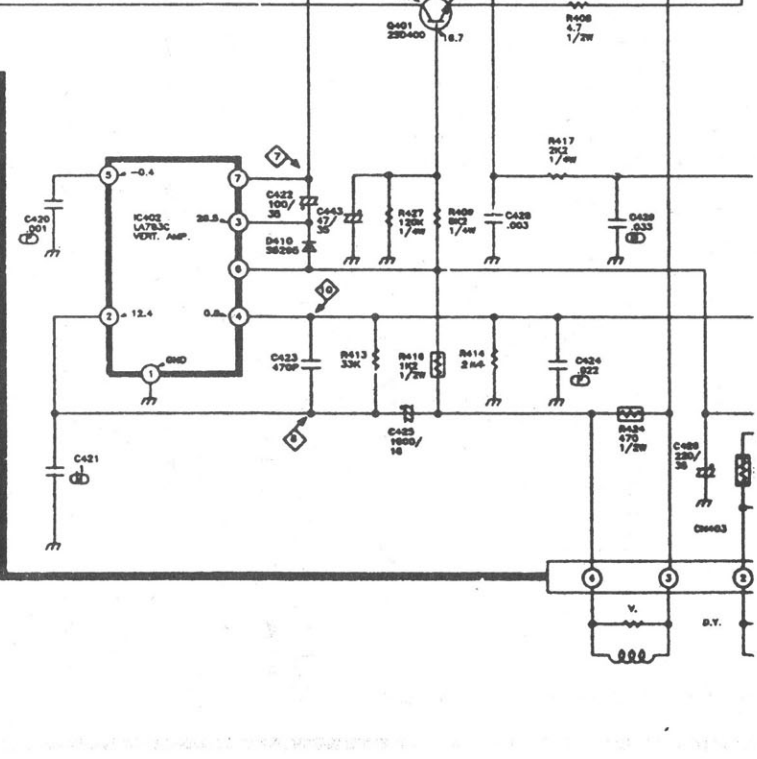
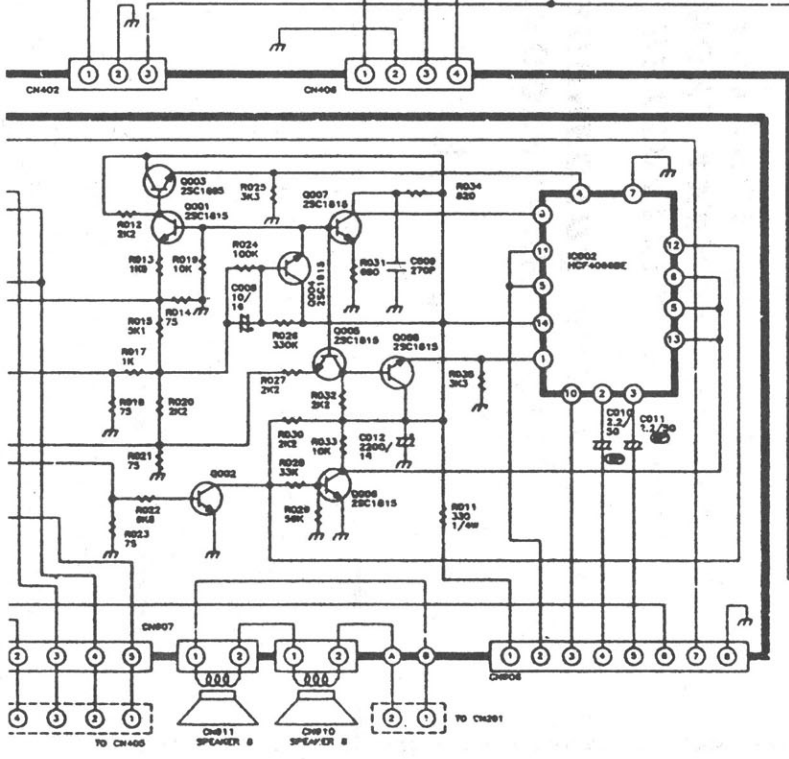
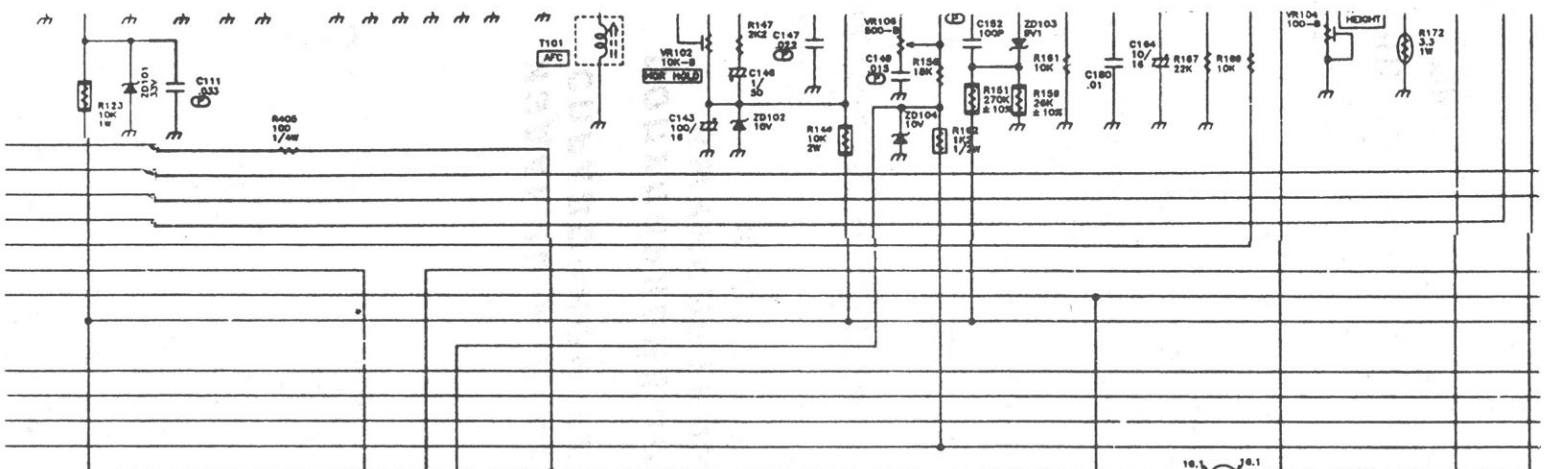
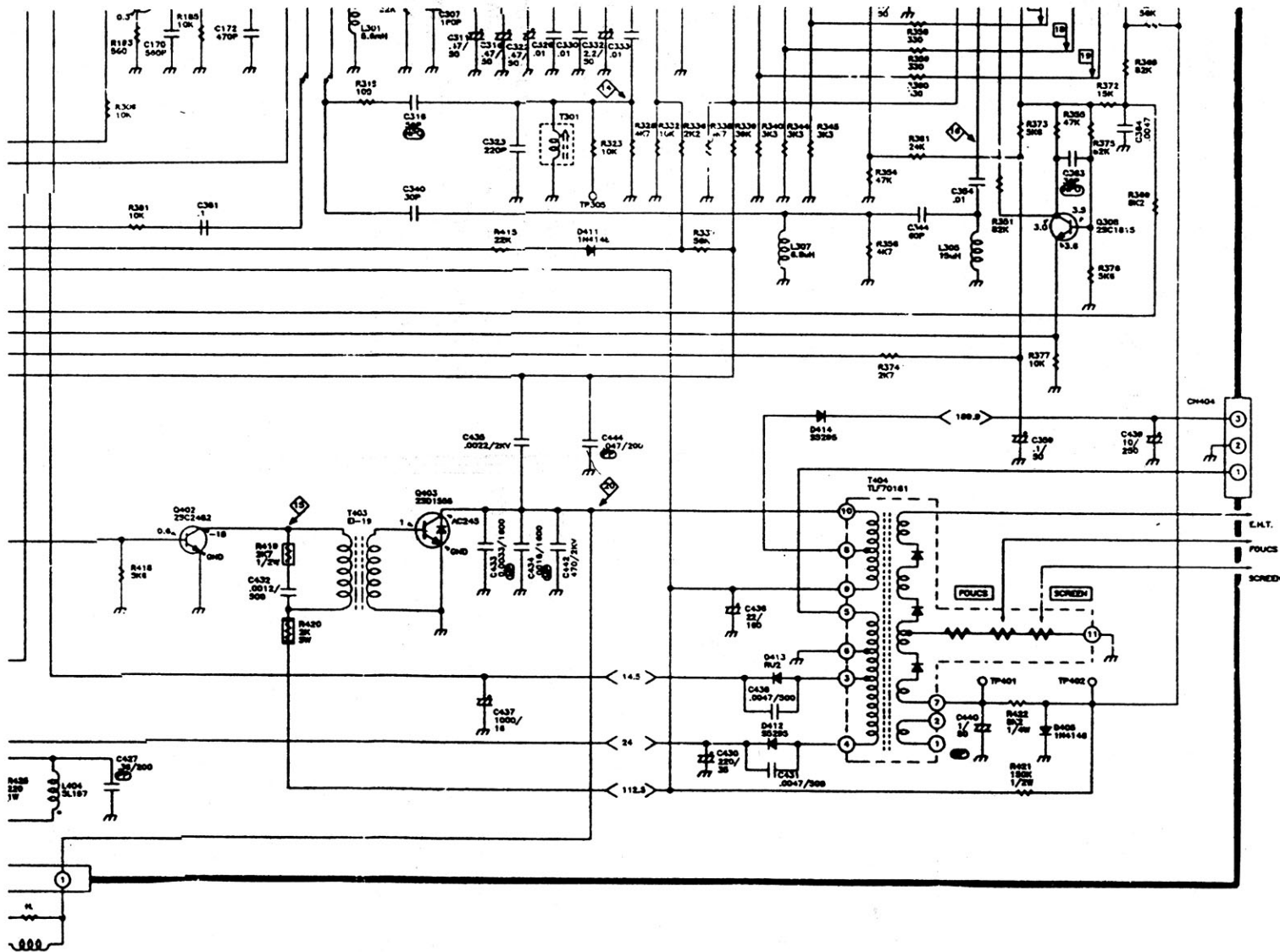


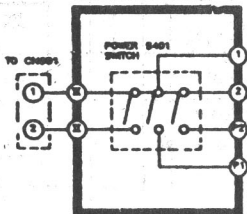
POWER BOARD



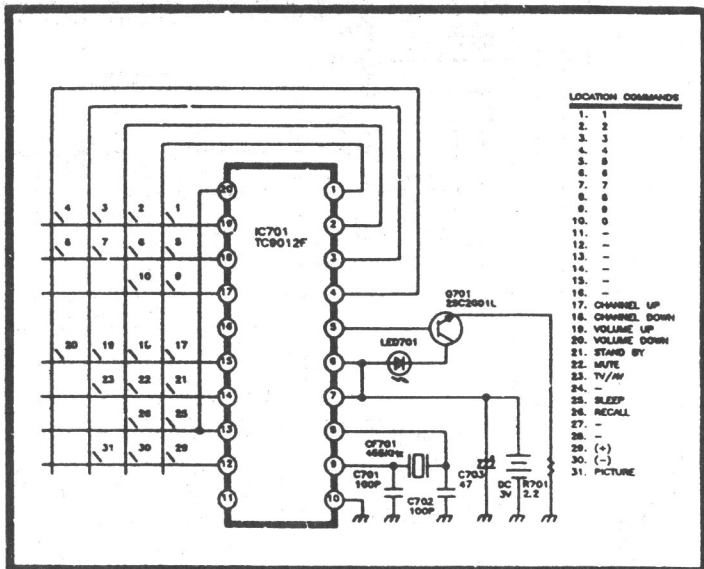
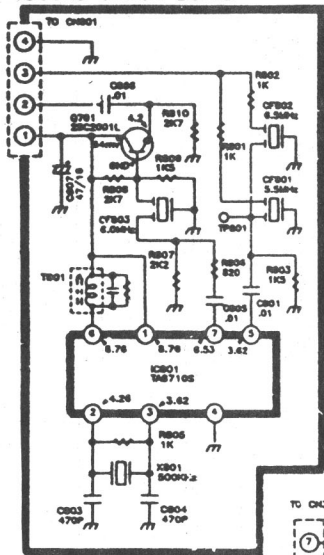




SWITCH BOARD



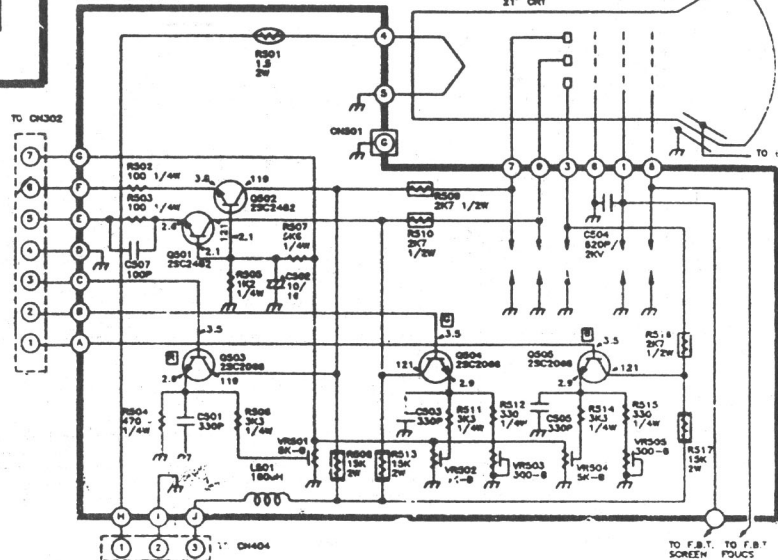
SOUND SWITCH BOARD



LOCATION COMMANDS

1. 1
2. 2
3. 3
4. 4
5. 5
6. 6
7. 7
8. 8
9. 9
10. 0
11. -
12. -
13. -
14. -
15. -
16. -
17. CHANNEL UP
18. CHANNEL DOWN
19. VOLUME UP
20. VOLUME DOWN
21. STAND BY
22. SLEEP
23. TV/AV
24. -
25. -
26. RECALL
27. -
28. -
29. (+)
30. (-)
31. PICTURE

CRT BOARD



WAVEFORM

