

## Filterelement Filter element

**Material-Nr.:**

Material no.:

**Bezeichnung:**

Designation:

16.9600/U PWR10-E00-0-M

**Filterfeinheit<sup>1</sup>:**

Filtration grade<sup>1</sup>:

10 µm

**Filtrationsquotient<sup>1</sup>:**

Filtration ratio<sup>1</sup>:

β<sub>10</sub>(c) = 200 / β<sub>11</sub>(c) = 1000 (ISO 16889)

**Filtermaterial<sup>1</sup>:**

Filter media<sup>1</sup>:

Glasfasermaterial PWR / H..XL  
glass fiber material PWR / H..XL

**Kollapsdruckbeständigkeit bar [psi]:**

Collapse pressure rating bar [psi]:

20 [290]

**Temperaturbeständigkeit °C [°F]:**

Temperature rating °C [°F]:

-40...100 [-40...212]

**Bypass Öffnungsdruck bar [psi]:**

Bypass cracking pressure bar [psi]:

∅

**Dichtungswerkstoff:**

Sealing material:

NBR

**Abmessungen mm [inch]:**

Dimensions mm [inch]:

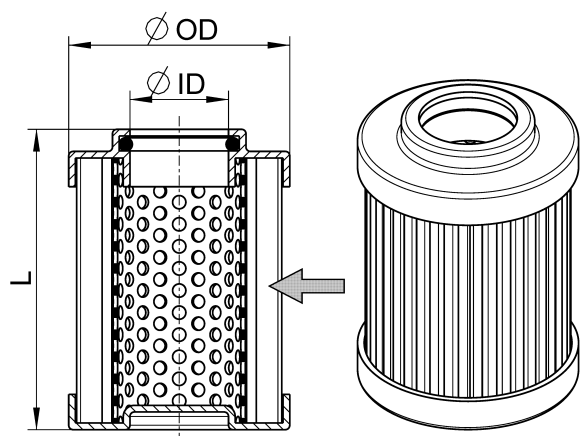
**OD** = 79,0 [3.1]

**ID** = 43,5 [1.7]

**L** = 425,0 [16.7]

**Gewicht kg [lbs]:** 1,1 [2.4]

Weight kg [lbs]:



Vereinfachte Darstellung  
The drawing shown is a simplistic representation