

NON-SPRING RETURN DAMPER ACTUATORS

ACTUATORS

DAX / DMx

8, 10, 16, 20 AND 35 Nm, ON/OFF, FLOATING AND PROPORTIONAL CONTROL

The Standard Series of Electric Non-Spring Return Actuators provide control of dampers in HVAC Systems with 8, 10, 20 and 35 Nm rated torque.

These bidirectional actuators do not require a damper linkage and are easily installed on round shafts or square shafts.

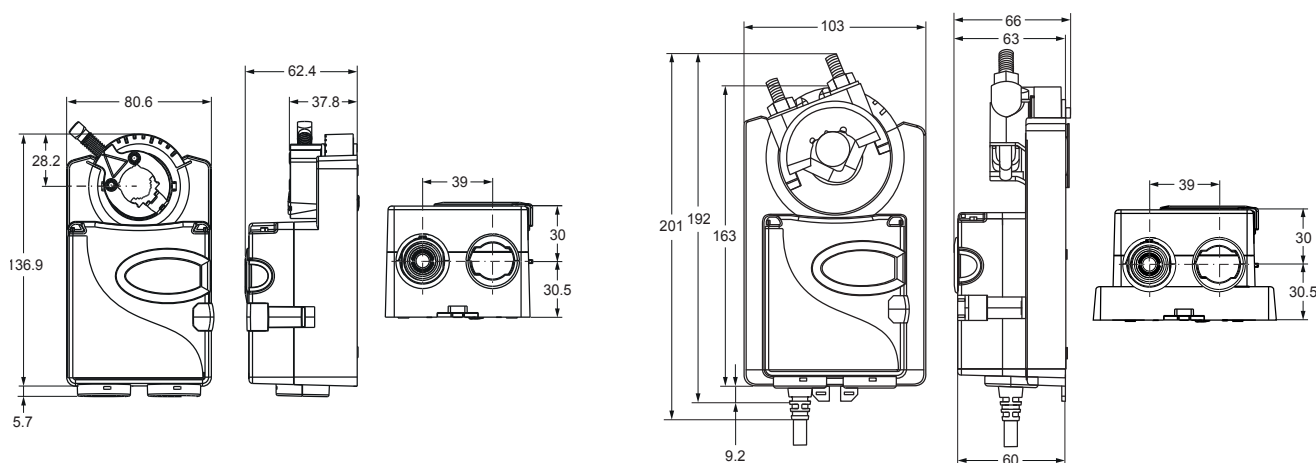
An optional line voltage auxiliary switch kits can be field installed to indicate an end-stop position or perform switching functions within the selected rotation range.



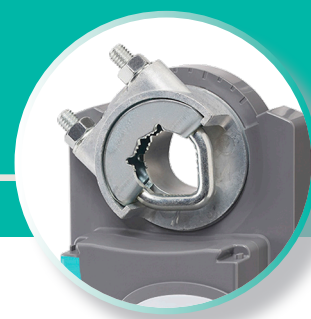
FEATURES

- Automatic signal input detection model: ON/OFF, Floating and Proportional
- High speed actuator model
- Optional auxiliary switch and potentiometer feedback
- 8, 10, 16, 20 and 35 Nm rated torque
- Self-calibrating to adjust stroke
- Electronic stall detection
- Microprocessor-controlled Brushless DC motor

DIMENSIONS (in mm)



NON-SPRING RETURN DAMPER ACTUATORS



DAx / DMx

ORDERING INFORMATION

CODES	TORQUE (Nm)	RUNNING TIME (s/mm)	CONTROL SIGNALS	SUPPLY VOLTAGE (50/60 Hz)
DA1.08Z	8	8	ON/OFF and Floating	24 VAC/DC
DA2.08Z				100 to 240 VAC
DA2.10	10	35	ON/OFF and Floating	100 to 240 VAC
DM2.10			Proportional	
DM1.10			ON/OFF, Floating and Proportional	24 VAC/DC
DA1.16Z	16	16	ON/OFF and Floating	24 VAC/DC
DA2.16Z				100 to 240 VAC
DA2.20	20	90	ON/OFF and Floating	100 to 240 VAC
DM2.20			Proportional	
DM1.20			ON/OFF, Floating and Proportional	24 VAC/DC
DA2.35	35	150	ON/OFF and Floating	100 to 240 VAC
DM2.35			Proportional	
DM1.35			ON/OFF, Floating and Proportional	24 VAC/DC

ACCESSORIES (ORDER SEPARATELY)

CODES	DESCRIPTION
M9000-322	NEMA 4, IP66 Weathershield Kit for damper application of DxD, DM1.10, DxFx.03 and DxFx.08 Series Electric Actuators (quantity 1)
M9000-323	NEMA 4X, IP66 Weathershield kit for damper application of DMx.20 and DMx.35 series electric actuators (quantity 1)
M9000-400	Jackshaft linkage adapter kit (quantity 1)
M9000-561	Thermal Barrier Kit. Extends the BxD, BMS1.10, BxF.03 and BxF.08 Series Electric Non-Spring Return Actuators applications to include low pressure steam (quantity 1)
M9000-604	Replacement Anti-Rotation Bracket Kit for DM1.10, DxFx.03, DxFx.08, DxFx.20 Series Electric Actuators
M9000-606	Position indicator for Auxiliary Switches and Feedback Potentiometer Kits (quantity 5)
JOV-SW1	Auxiliary switch kit (one single-pole, double-throw)
JOV-SW2	Auxiliary switch kit (two single-pole, double-throw)
M9300-100	Threaded conduit adapters for 12.7 mm electrician's fittings (quantity 5)
M9300-140	External auxiliary feedback potentiometer 140k Ohm
M9000-151	Remote mounting kit, with crank arm and damper linkage for M9100 and M9300 series actuators
M9300-1K	External auxiliary feedback potentiometer 1k Ohm
M9300-2K	External auxiliary feedback potentiometer 2k Ohm
M9300-10K	External auxiliary feedback potentiometer 10k Ohm
M9310-600	Standard coupler kit, DM1.10 series (9.5 to 19 mm - 9.5 to 16 mm) (quantity 1)