

Filterelement

Filter element

N5AM020

Material-Nr.:

Material no.:

Bezeichnung:

Designation:

Filterfeinheit¹:

20 µm

Filtration grade¹:

Filtrationsquotient¹:

β_{20(c)} = 200 (ISO 16889)

Filtration ratio¹:

Filtermaterial¹:

wasseradsorbierend AS...

Filter media¹:

water-adsorbent media AS...

Kollapsdruckbeständigkeit bar [psi]:

16 [232]

Collapse pressure rating bar [psi]:

Temperaturbeständigkeit °C [°F]:

0...100 [32...212]

Temperature rating °C [°F]:

Bypass Öffnungsdruck bar [psi]:

∅

Bypass cracking pressure bar [psi]:

Dichtungswerkstoff:

NBR

Sealing material:

Abmessungen mm [inch]:

Dimensions mm [inch]:

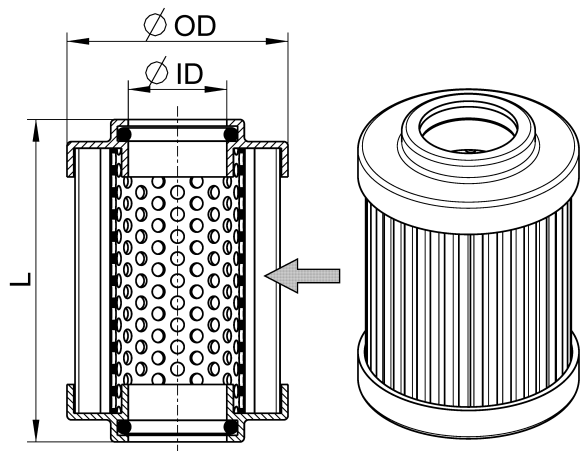
OD = 94,5 [3.7]

ID = 48,3 [1.9]

L = 262,0 [10.3]

Gewicht kg [lbs]: 0,6 [1.4]

Weight kg [lbs]:



Vereinfachte Darstellung
The drawing shown is a simplistic representation