

Excellent Integrated System Limited

Stocking Distributor

Click to view price, real time Inventory, Delivery & Lifecycle Information:

[STMicroelectronics](#)

[STTH2002CFP](#)

For any questions, you can email us directly:

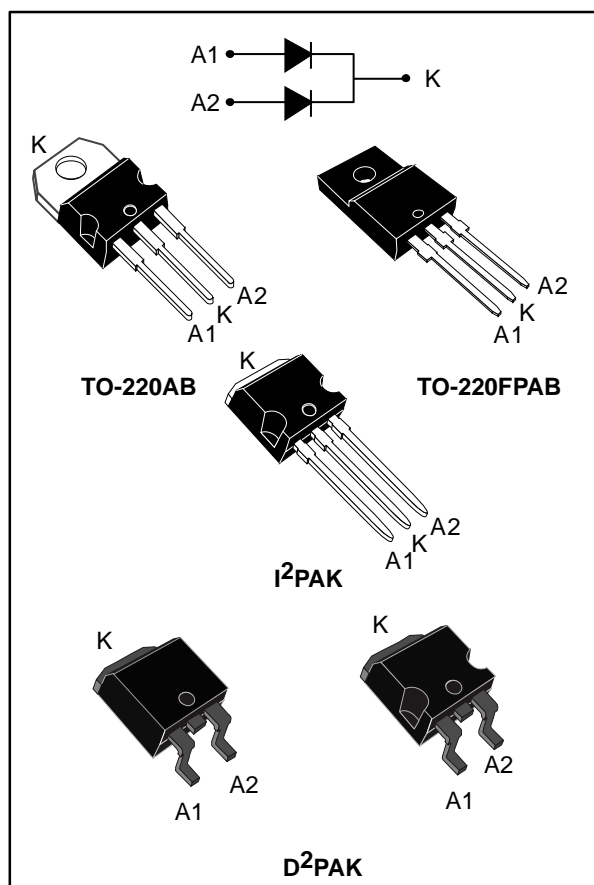
sales@integrated-circuit.com



STTH2002C

High efficiency ultrafast diode

Datasheet - production data



Features

- Suited for SMPS
- Low losses
- Low forward and reverse recovery times
- Low leakage current
- High junction temperature
- Insulated package: TO-220FPAB
 - Insulating voltage = 2000 V_{RMS} sine
- ECOPACK®2 compliant component for D²PAK on demand

Description

Dual center tap rectifier suited for switch mode power supplies and high frequency DC/DC converters.

Packaged in TO-220AB, TO-220FPAB, I²PAK or D²PAK, this device is intended for use in low voltage, high frequency inverters, free wheeling and polarity protection applications.

Table 1: Device summary

Symbol	Value
I _{F(AV)}	2 x 10 A
V _{RRM}	200 V
T _j (max)	175 °C
V _F (typ)	0.78 V
t _{rr} (typ)	22 ns

Characteristics

STTH2002C

1 Characteristics

Table 2: Absolute ratings (limiting values, per diode, at 25 °C, unless otherwise specified)

Symbol	Parameter		Value	Unit			
V _R RM	Repetitive peak reverse voltage		200	V			
I _F (RMS)	Forward rms current		30	A			
I _F (peak)	Average forward current δ = 0.5, square wave	TO-220AB, D ² PAK, I ² PAK	T _C = 150 °C	Per diode	10	A	
			T _C = 140 °C	Per device	20		
			T _C = 130 °C	Per diode	15		
			T _C = 115 °C	Per device	30		
		TO-220FPAB		T _C = 120 °C	Per diode		10
		TO-220FPAB		T _C = 85 °C	Per device		20
I _{FSM}	Surge non repetitive forward current	t _p = 10 ms sinusoidal	90	A			
T _{stg}	Storage temperature range		-65 to + 175	°C			
T _j	Maximum operating junction temperature ⁽¹⁾		175	°C			

Notes:

⁽¹⁾(dP_{tot}/dT_j) < (1/R_{th(j-a)}) condition to avoid thermal runaway for a diode on its own heatsink.

Table 3: Thermal parameter

Symbol	Parameter		Value	Unit		
R _{th(j-c)}	Junction to case	TO-220AB, D ² PAK, I ² PAK	Per diode	2.5	°C/W	
			Per device	1.6		
		TO-220FPAB		Per diode		5
		TO-220FPAB		Per device		3.8
R _{th(c)}	Coupling	TO-220AB, D ² PAK, I ² PAK	-	0.7	°C/W	
		TO-220FPAB	-	2.5		

When the diodes 1 and 2 are used simultaneously:

$$\Delta T_{j(\text{diode}1)} = P_{(\text{diode}1)} \times R_{th(j-c)} (\text{per diode}) + P_{(\text{diode}2)} \times R_{th(c)}$$

STTH2002C

Characteristics

Table 4: Static electrical characteristics (per diode)

Symbol	Parameter	Test conditions		Min.	Typ.	Max.	Unit
I _R ⁽¹⁾	Reverse leakage current	T _j = 25 °C	V _R = V _{RRM}	-		10	μA
		T _j = 125 °C		-	6	100	
V _F ⁽²⁾	Forward voltage drop	T _j = 25 °C	I _F = 10 A	-		1.1	V
			I _F = 20 A	-		1.25	
		T _j = 150 °C	I _F = 10 A	-	0.78	0.89	
			I _F = 20 A	-		1.05	

Notes:

(1)Pulse test: t_p = 5 ms, δ < 2%

(2)Pulse test: t_p = 380 μs, δ < 2%

To evaluate the conduction losses use the following equation:

$$P = 0.73 \times I_{F(AV)} + 0.020 I_{F(RMS)}^2$$

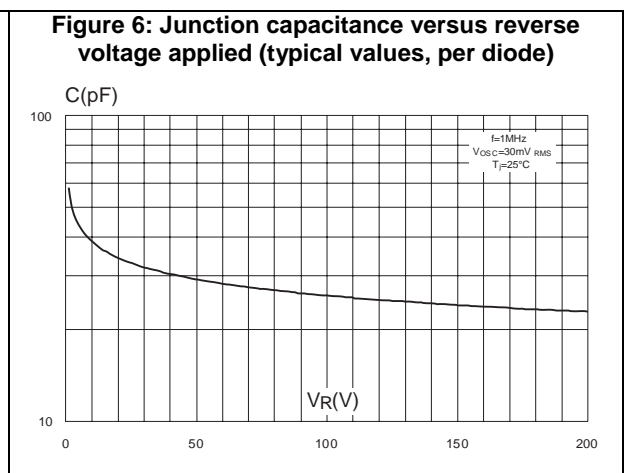
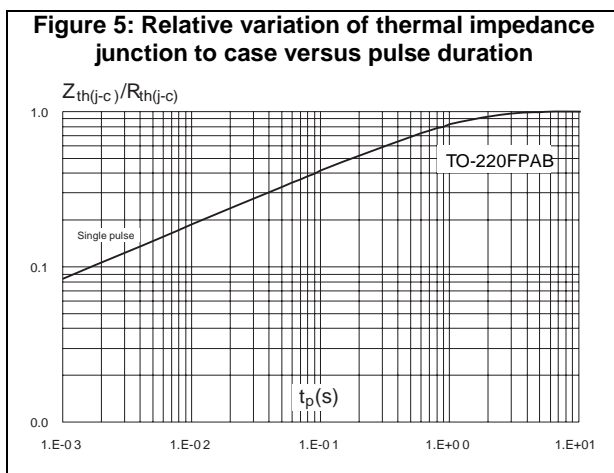
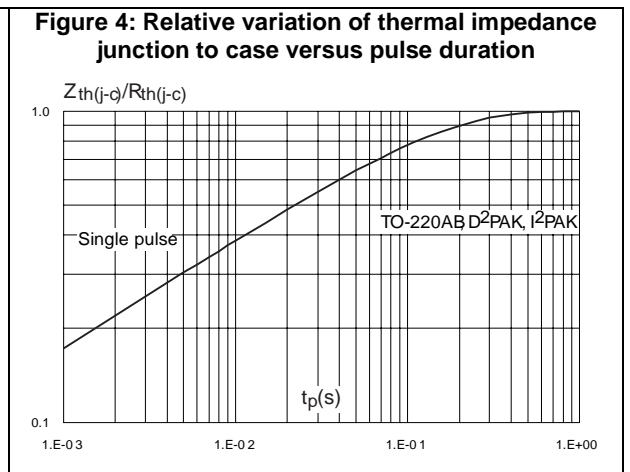
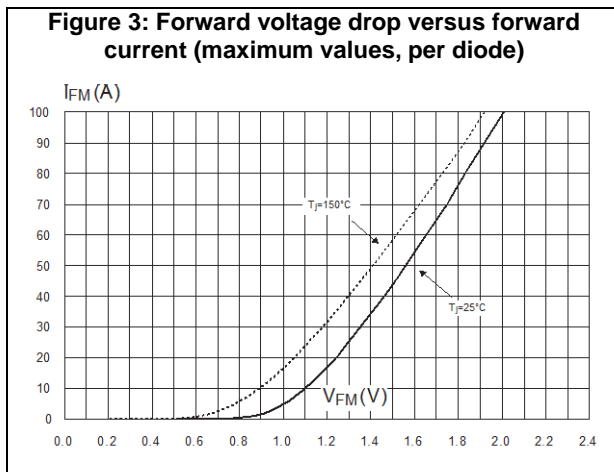
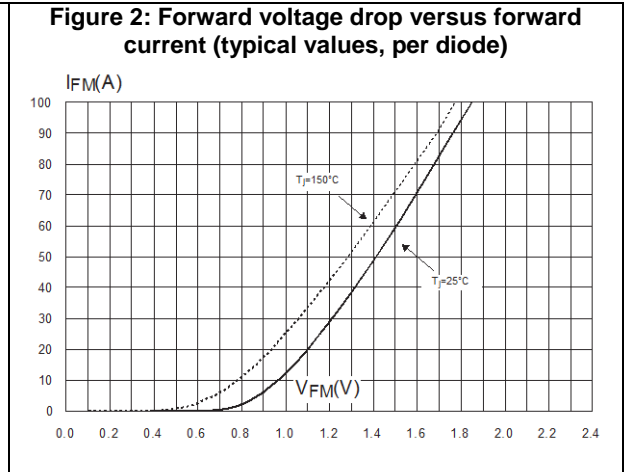
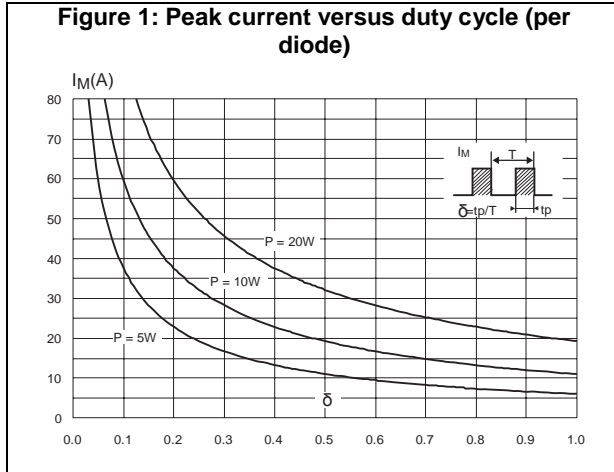
Table 5: Dynamic electrical characteristics (per diode)

Symbol	Parameter	Test conditions		Min.	Typ.	Max.	Unit
t _{rr}	Reverse recovery time	T _j = 25 °C	I _F = 1 A, V _R = 30 V, dI _F /dt = 100 A/μs	-	22	27	ns
t _{fr}	Forward recovery time	T _j = 25 °C	I _F = 10 A, dI _F /dt = 100 A/μs, V _{FR} = 1.1 x V _{Fmax} ,	-		200	ns
V _{FP}	Forward recovery voltage	T _j = 25 °C	I _F = 10 A, dI _F /dt = 100 A/μs	-	2.4		V
I _{RM}	Reverse recovery current	T _j = 125 °C	I _F = 10 A, V _R = 160 V, dI _F /dt = 200 A/μs	-	7.0	9.0	A

Characteristics

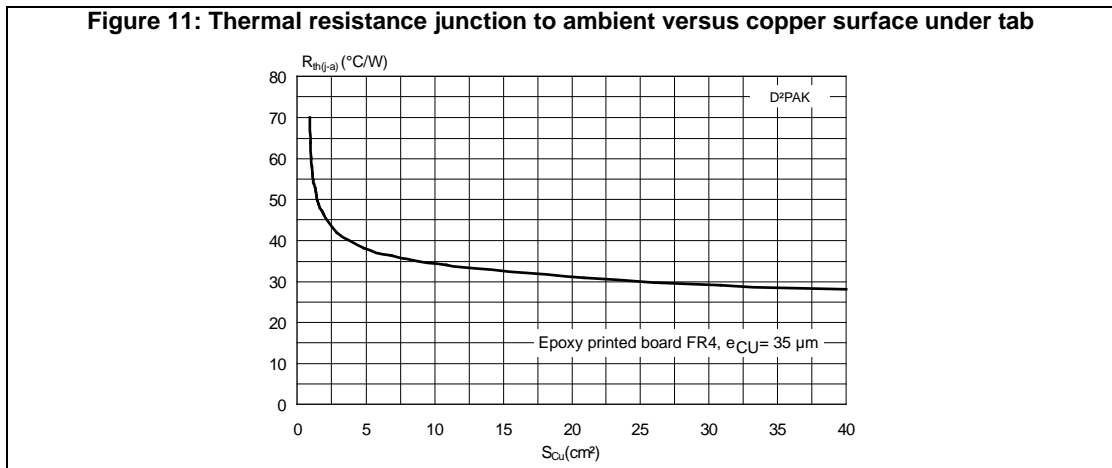
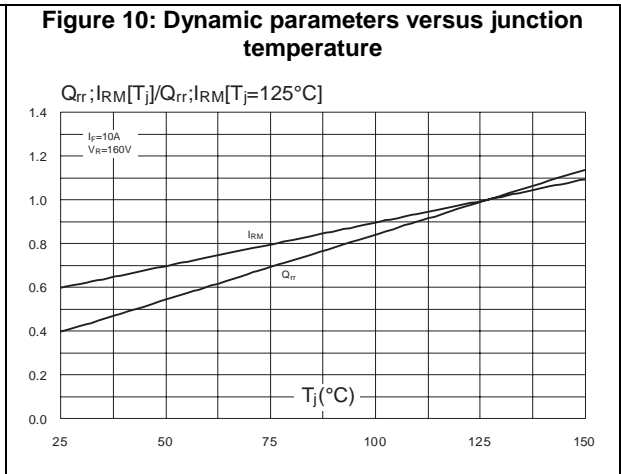
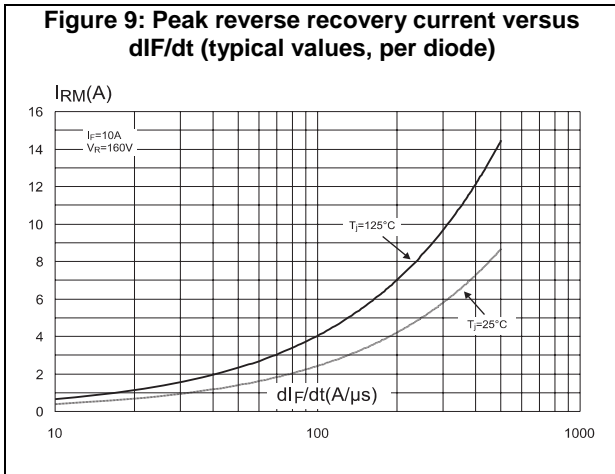
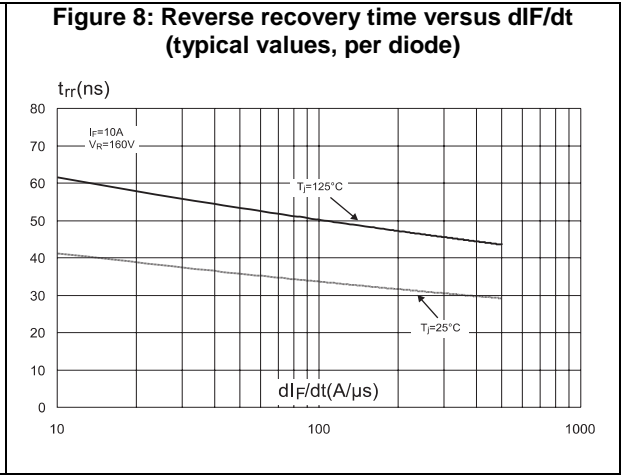
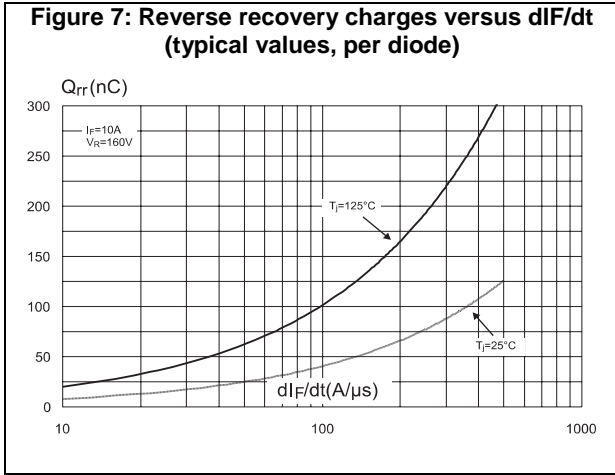
STTH2002C

1.1 Characteristics (curves)



STTH2002C

Characteristics



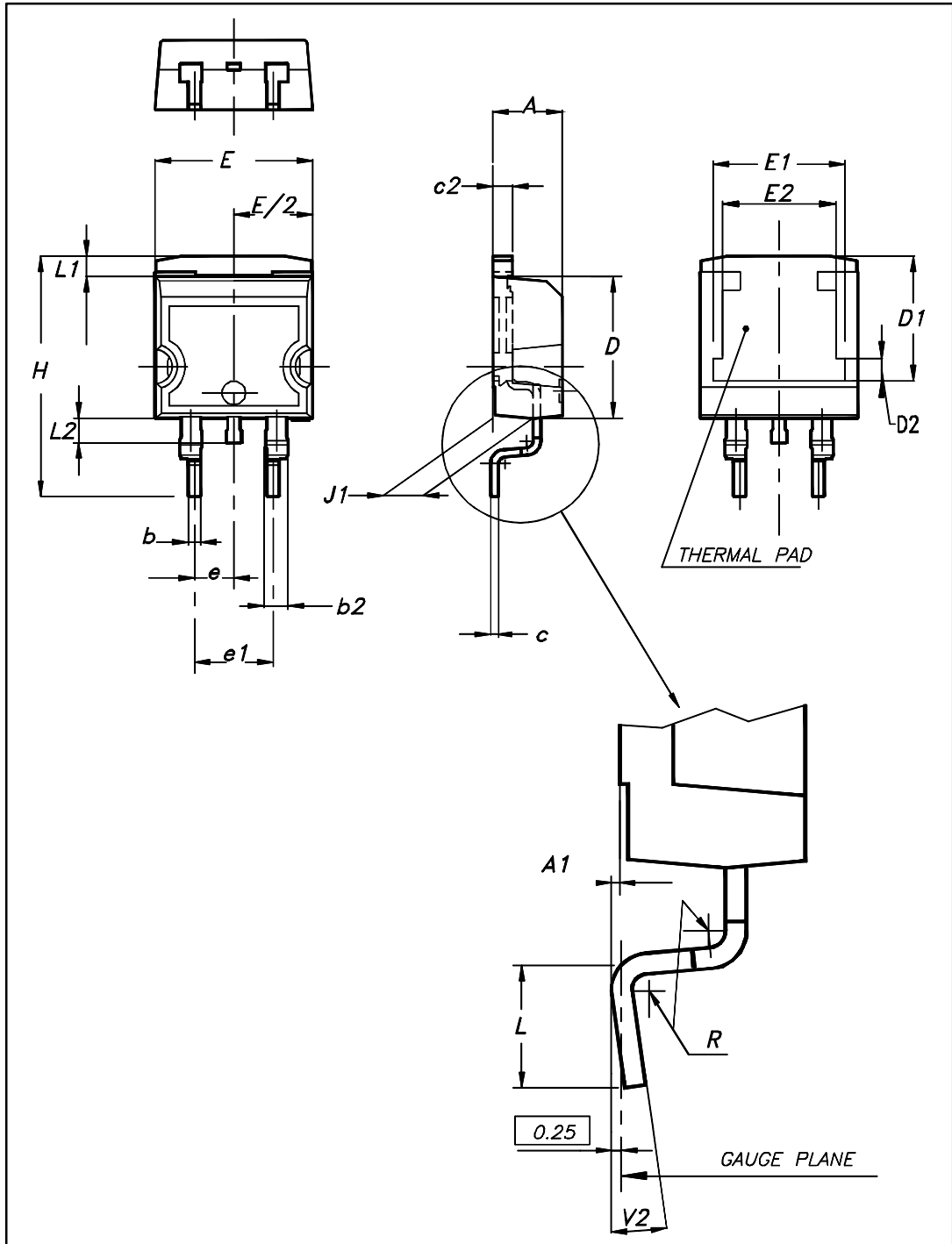
2 Package information

In order to meet environmental requirements, ST offers these devices in different grades of ECOPACK® packages, depending on their level of environmental compliance. ECOPACK® specifications, grade definitions and product status are available at: www.st.com. ECOPACK® is an ST trademark.

- Cooling method: by conduction (C)
- Epoxy meets UL 94, V0
- Recommended torque value: 0.55 N·m (for TO-220AB and TO-220FPAB)
- Maximum torque value: 0.7 N·m (for TO-220AB and TO-220FPAB)

2.1 D²PAK package information

Figure 12: D²PAK package outline



This package drawing may slightly differ from the physical package. However, all the specified dimensions are guaranteed.

Package information

STTH2002C

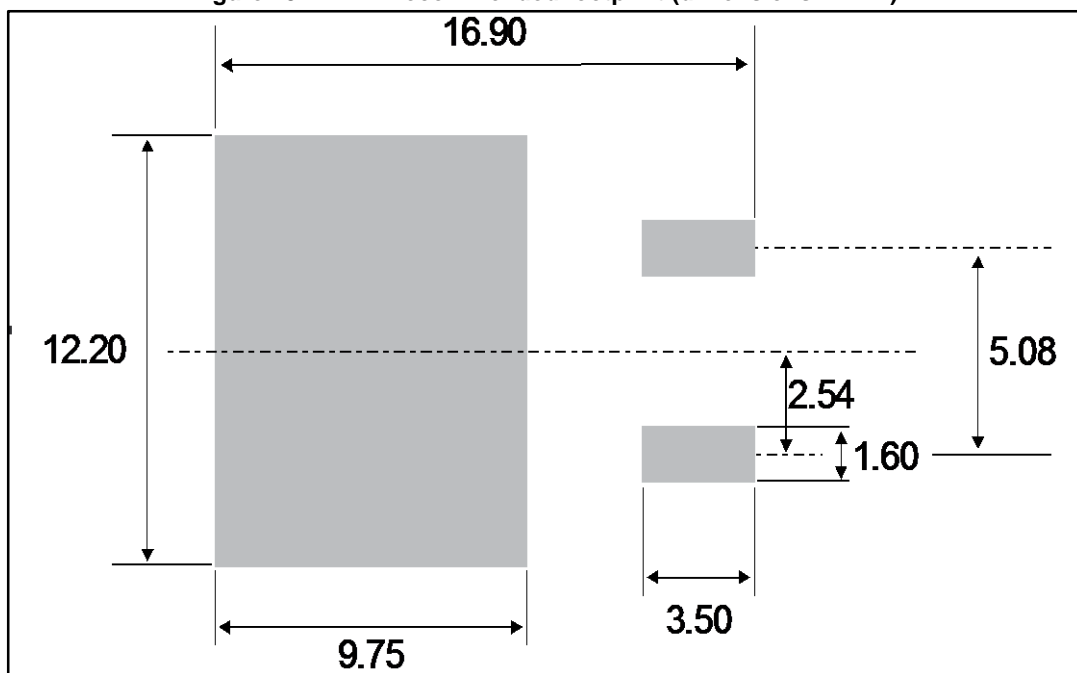
Table 6: D²PAK package mechanical data

Ref.	Dimensions			
	Millimeters		Inches	
	Min.	Max.	Min.	Max.
A	4.36	4.60	0.172	0.181
A1	0.00	0.25	0.000	0.010
b	0.70	0.93	0.028	0.037
b2	1.14	1.70	0.045	0.067
c	0.38	0.69	0.015	0.027
c2	1.19	1.36	0.047	0.053
D	8.60	9.35	0.339	0.368
D1	6.90	8.00	0.272	0.311
D2	1.10	1.50	0.043	0.060
E	10.00	10.55	0.394	0.415
E1	8.10	8.90	0.319	0.346
E2	6.85	7.25	0.266	0.282
e	2.54 typ.		0.100	
e1	4.88	5.28	0.190	0.205
H	15.00	15.85	0.591	0.624
J1	2.49	2.90	0.097	0.112
L	1.90	2.79	0.075	0.110
L1	1.27	1.65	0.049	0.065
L2	1.30	1.78	0.050	0.070
R	0.4 typ.		0.015	
V2	0°	8°	0°	8°

STTH2002C

Package information

Figure 13: D²PAK recommended footprint (dimensions in mm)



Package information

STTH2002C

2.2 I²PAK package information

Figure 14: I²PAK package outline

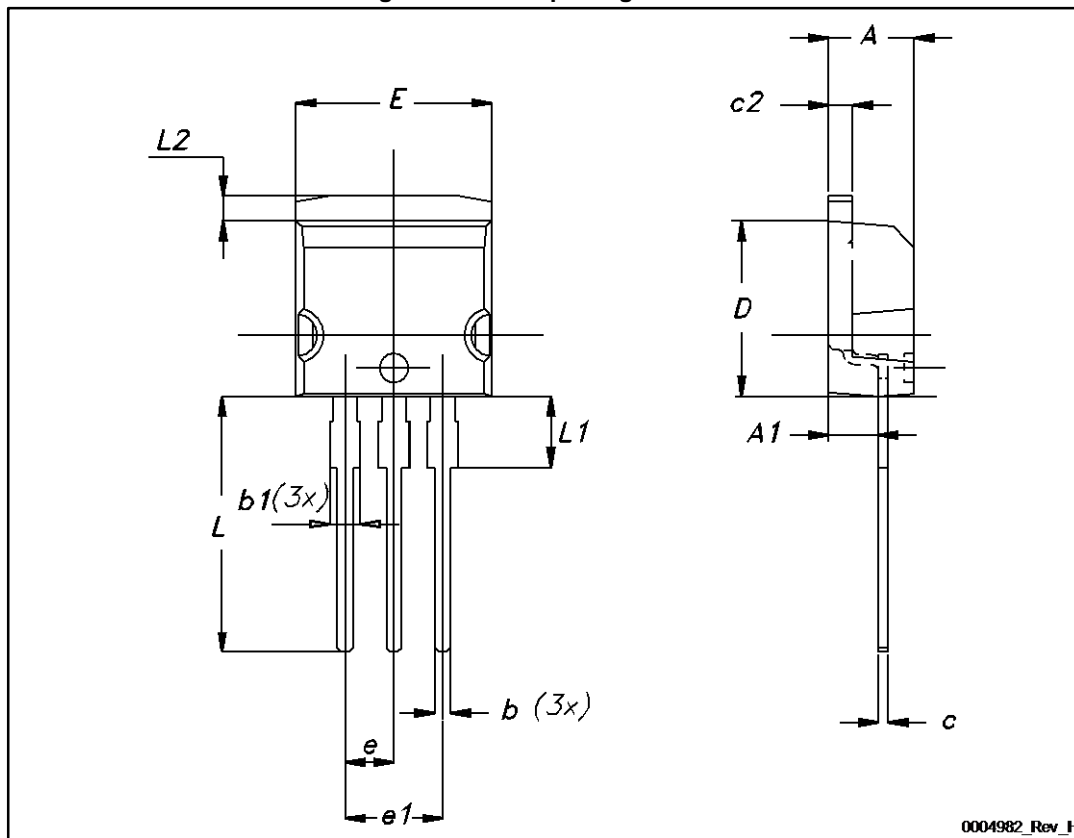


Table 7: I²PAK package mechanical data

Dim.	mm		
	Min.	Typ.	Max.
A	4.40	–	4.60
A1	2.40	–	2.72
b	0.61	–	0.88
b1	1.14	–	1.70
c	0.49	–	0.70
c2	1.23	–	1.32
D	8.95	–	9.35
e	2.40	–	2.70
e1	4.95	–	5.15
E	10	–	10.40
L	13	–	14
L1	3.50	–	3.93
L2	1.27	–	1.40

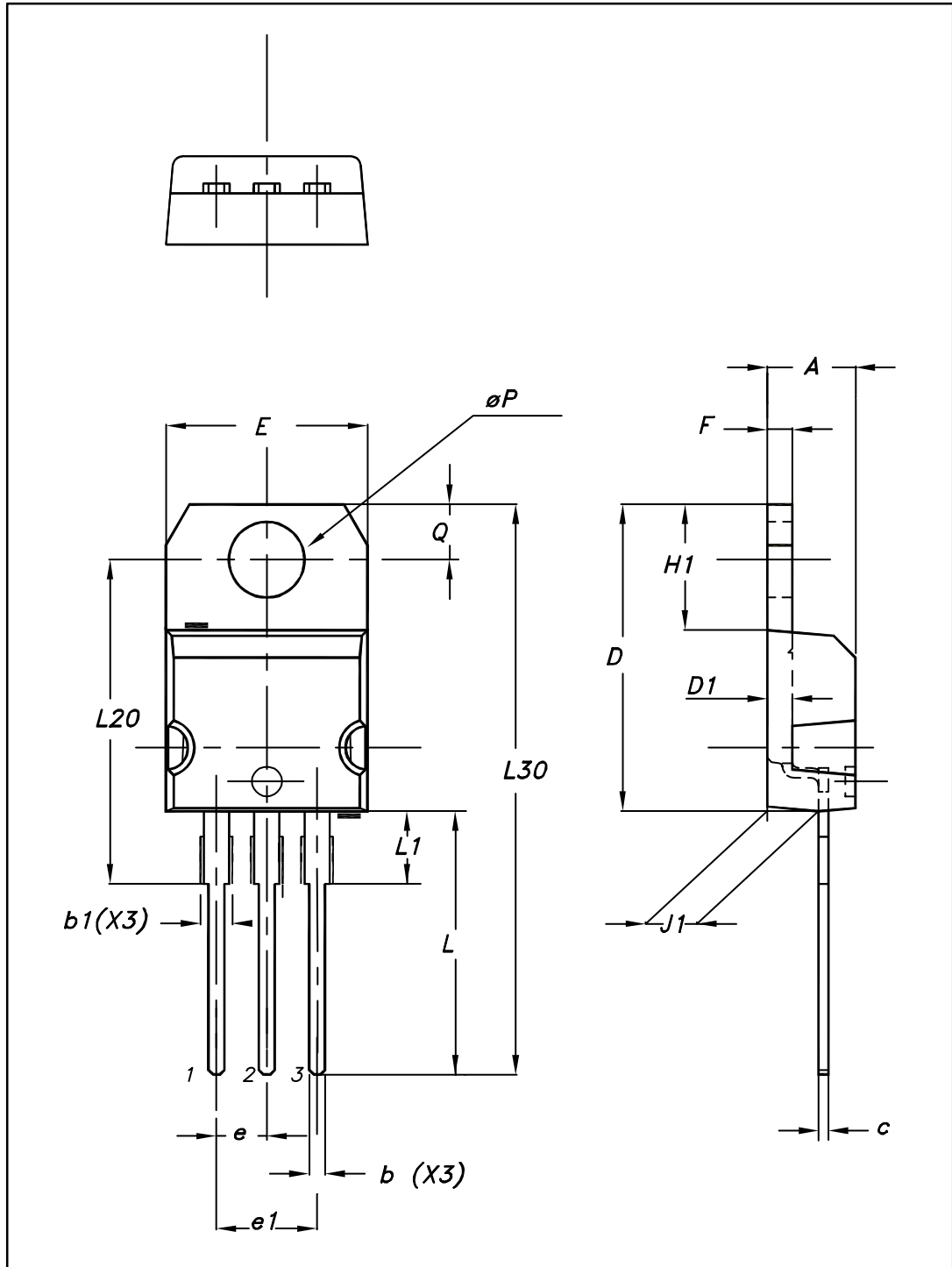
Mounting (soldering) the I²PAK metal slug (heatsink) with alloy, like a surface mount device, IS NOT PERMITTED. A standard through-hole mounting is mandatory.

STTH2002C

Package information

2.3 TO-220AB type A (DZ) package information

Figure 15: TO-220AB package outline



Package information

STTH2002C

Table 8: TO-220AB package mechanical data

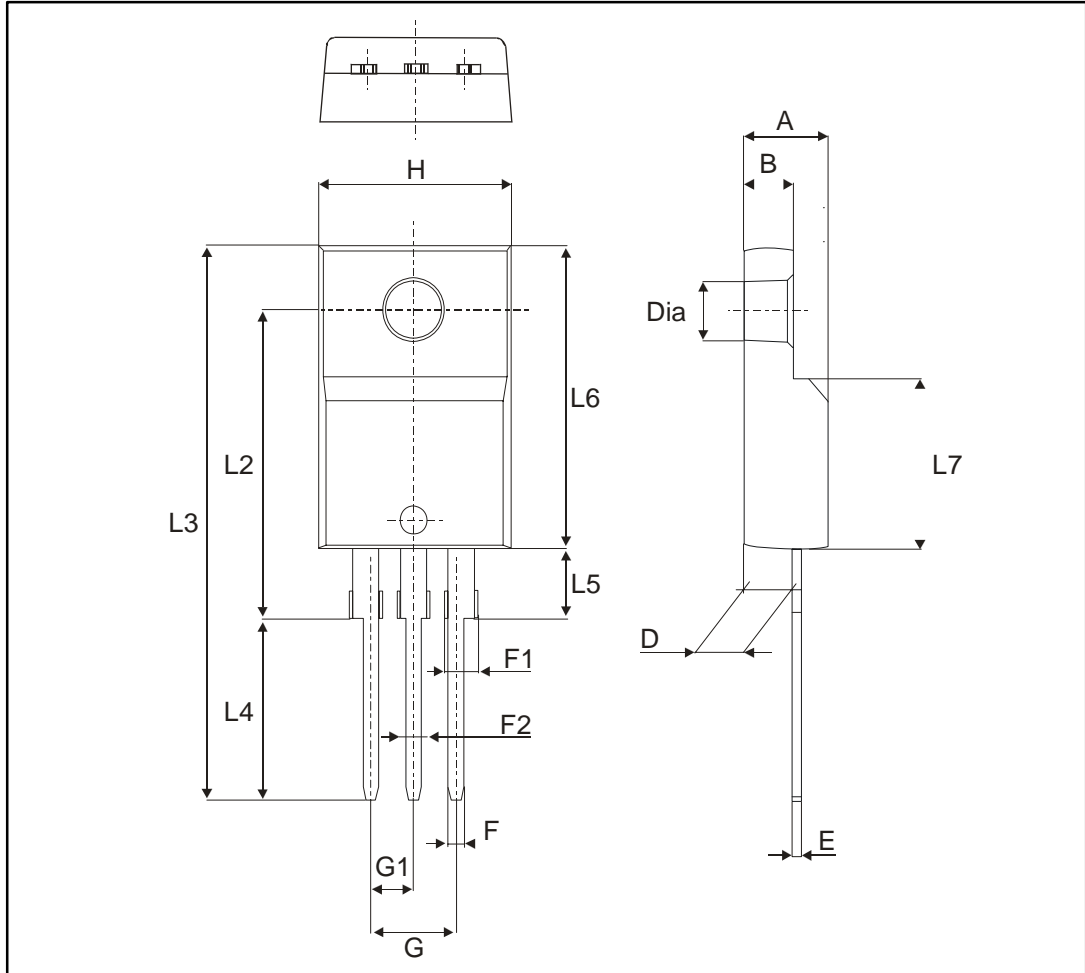
Ref.	Dimensions			
	Millimeters		Inches	
	Min.	Max.	Min.	Max.
A	4.40	4.60	0.173	0.181
b	0.61	0.88	0.24	0.035
b1	1.14	1.70	0.045	0.067
c	0.48	0.70	0.019	0.028
D	15.25	15.75	0.600	0.620
D1	1.27 typ.		0.050 typ.	
E	10	10.40	0.394	0.409
e	2.4	2.7	0.094	0.106
e1	4.95	5.15	0.195	0.203
F	1.23	1.32	0.048	0.052
H1	6.20	6.60	0.244	0.260
J1	2.4	2.72	0.094	0.107
L	13.0	14.0	0.512	0.551
L1	3.5	3.93	0.138	0.155
L20	16.40 typ.		0.646 typ.	
L30	28.90 typ.		1.138 typ.	
θP	3.75	3.85	0.148	0.152
Q	2.65	2.95	0.104	0.116

STTH2002C

Package information

2.4 TO-220FPAB package information

Figure 16: TO-220FPAB package outline



Package information

STTH2002C

Table 9: TO-220FPAB package mechanical data

Ref.	Dimensions			
	Millimeters		Inches	
	Min.	Max.	Min.	Max.
A	4.40	4.60	0.173	0.181
B	2.5	2.7	0.098	0.106
D	2.50	2.75	0.098	0.108
E	0.45	0.70	0.018	0.027
F	0.75	1.0	0.03	0.039
F1	1.15	1.70	0.045	0.067
F2	1.15	1.70	0.045	0.067
G	4.95	5.20	0.195	0.205
G1	2.40	2.70	0.094	0.106
H	10.00	10.40	0.393	0.409
L2	16.00 typ.		0.63 typ.	
L3	28.60	30.60	1.126	1.205
L4	9.80	10.6	0.386	0.417
L5	2.90	3.60	0.114	0.142
L6	15.90	16.40	0.626	0.646
L7	9.00	9.30	0.354	0.366
Dia	3.0	3.20	0.118	0.126

3 Ordering information

Table 10: Ordering information

Order code	Marking	Package	Weight	Base qty	Delivery mode
STTH2002CT	STTH2002CT	TO-220AB	1.9g	50	Tube
STTH2002CG	STTH2002CG	D ² PAK	1.38g	50	Tube
STTH2002CG-TR	STTH2002CG	D ² PAK	1.38g	1000	Tape and reel
STTH2002CR	STTH2002CR	I ² PAK	1.5g	50	Tube
STTH2002CFP	STTH2002CFP	TO-220FPAB	1.9g	50	Tube

4 Revision history

Table 11: Document revision history

Date	Revision	Changes
Feb-2004	1	First issue.
23-Jun-2010	2	Updated Table 1. Updated ECOPACK statement.
14-Dec-2015	3	Updated features, Table 1: "Device summary" and packages silhouette in cover page. Updated Section 1: "Characteristics" and Table 10: "Ordering information" Updated Section 2.2: "D²PAK package information" .

IMPORTANT NOTICE – PLEASE READ CAREFULLY

STMicroelectronics NV and its subsidiaries (“ST”) reserve the right to make changes, corrections, enhancements, modifications, and improvements to ST products and/or to this document at any time without notice. Purchasers should obtain the latest relevant information on ST products before placing orders. ST products are sold pursuant to ST’s terms and conditions of sale in place at the time of order acknowledgement.

Purchasers are solely responsible for the choice, selection, and use of ST products and ST assumes no liability for application assistance or the design of Purchasers’ products.

No license, express or implied, to any intellectual property right is granted by ST herein.

Resale of ST products with provisions different from the information set forth herein shall void any warranty granted by ST for such product.

ST and the ST logo are trademarks of ST. All other product or service names are the property of their respective owners.

Information in this document supersedes and replaces information previously supplied in any prior versions of this document.

© 2015 STMicroelectronics – All rights reserved