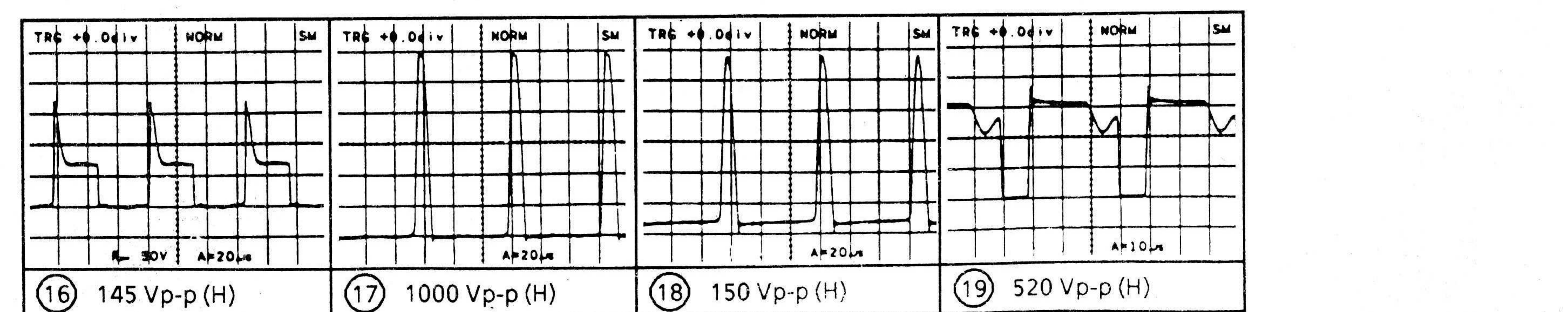
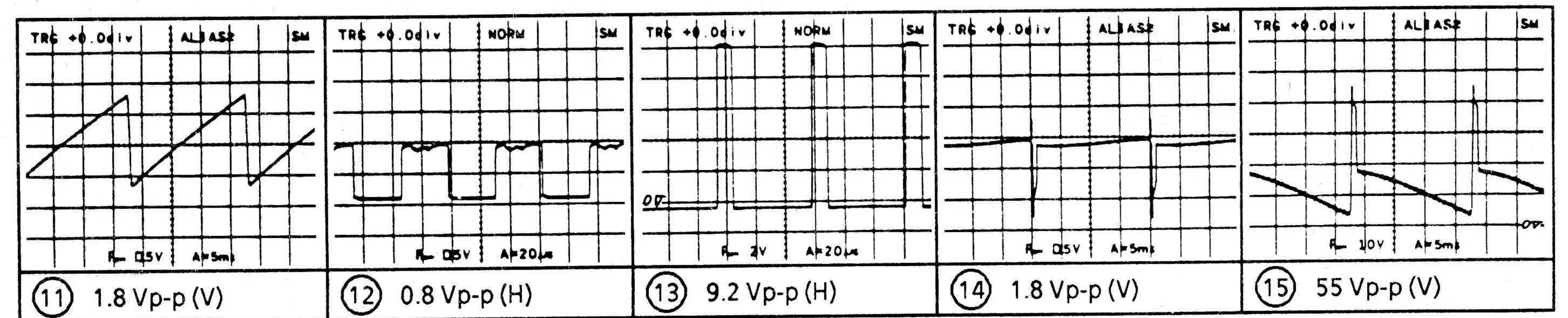
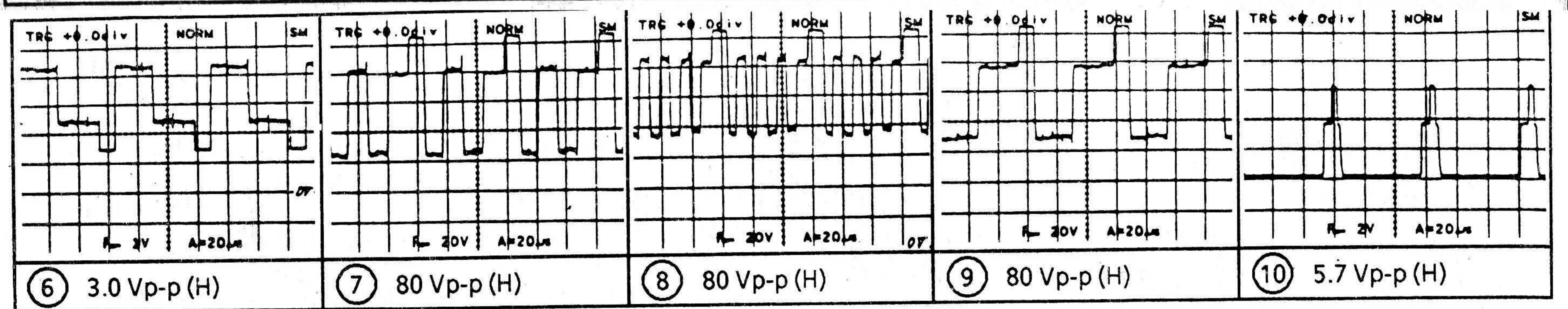
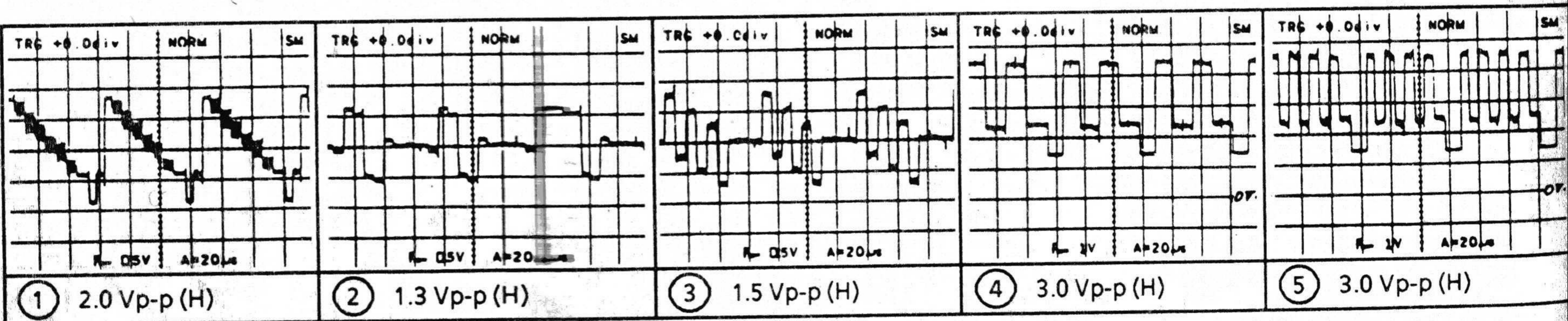


PAL SYSTEM
COLOUR TELEVISION
Chassis No. H

MODEL **CV-2195RU**



WAVEFORMS

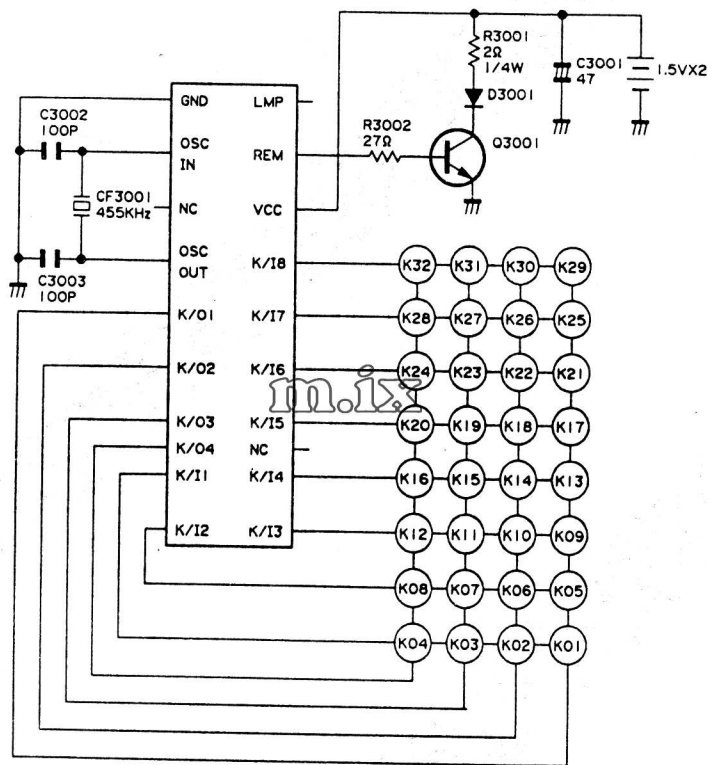


Infrared Remote Control Unit

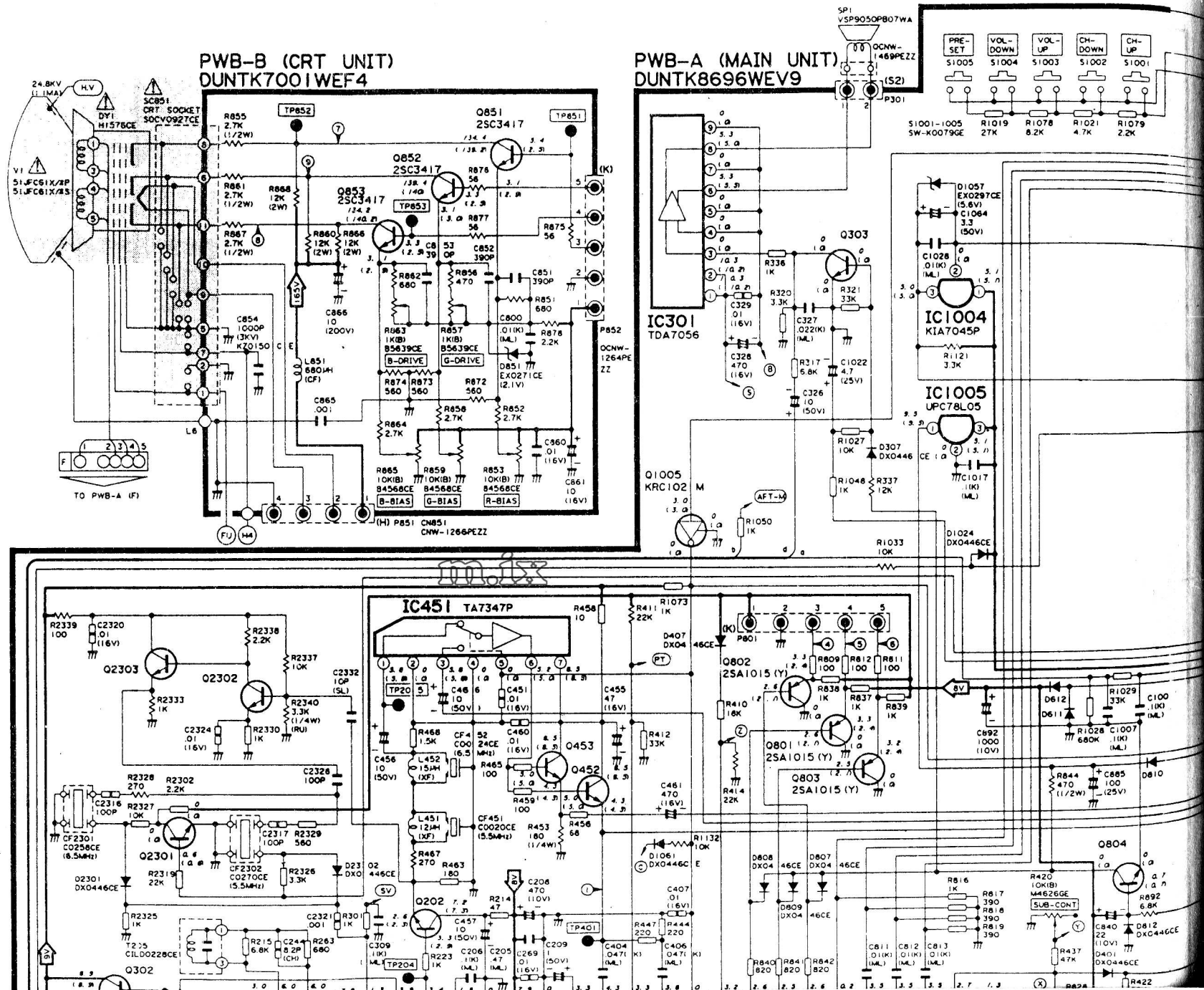
NOTE: The parts here shown are supplied as an assembly but not independently.

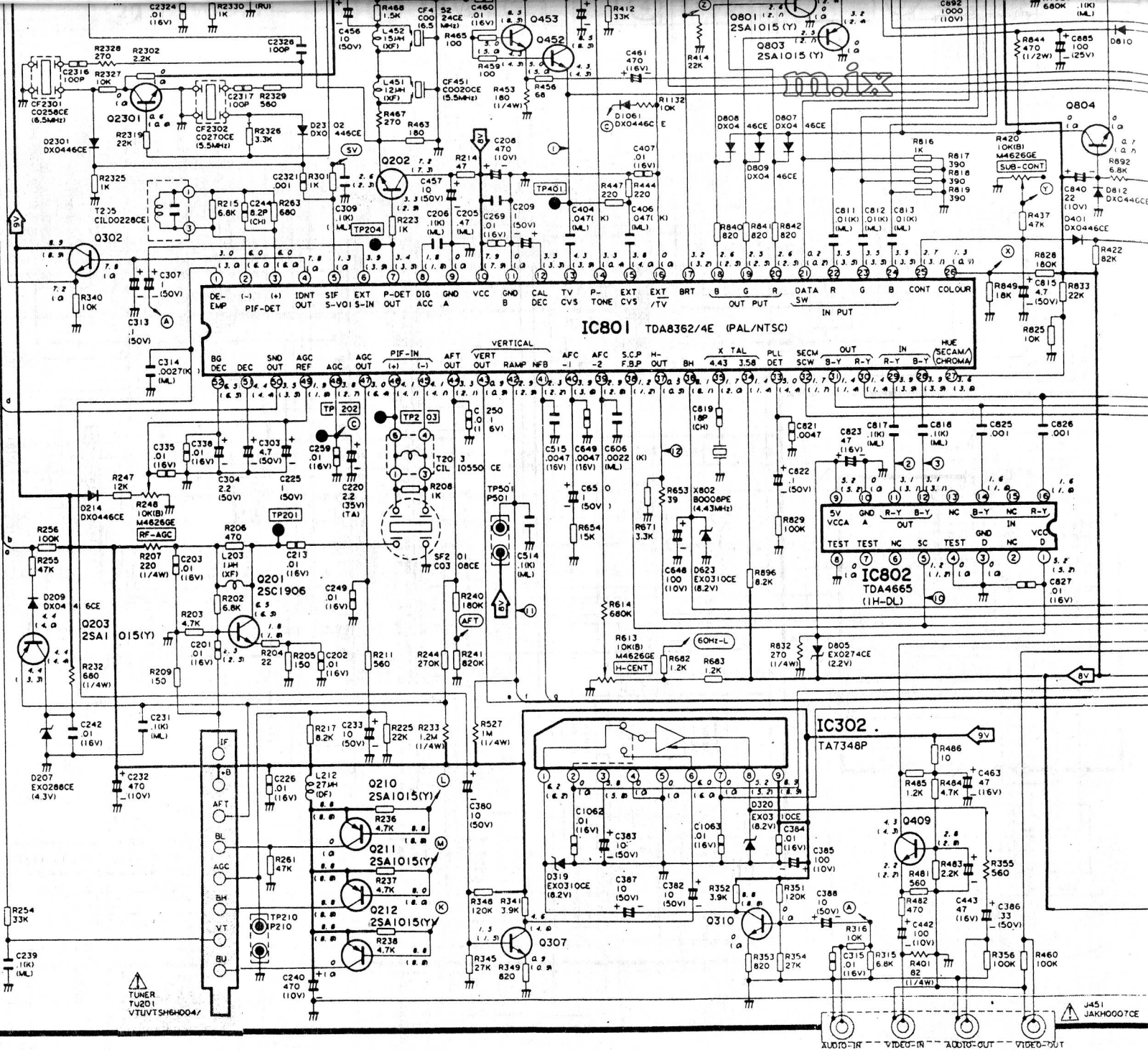
RRMCG1133PESA

KEY NO.	FUNCTION	OUTPUT CODE
K01	-----	100000001111010
K02	-----	100001101110010
K03	NORMAL	100001000010010
K04		100001110010010
K05	-----	100001111001010
K06	-----	100000000101010
K07	-/-	100000011110010
K08		100001101100010
K09	MUTE	100001110100010
K10	PICTURE	100001011001010
K11	TIMER	100001100101010
K12	-----	100001111010010
K13	VOL DOWN	100001010100010
K14	FUNCTION	100001111101010
K15	0	100000101000010
K16	SYSTEM	100001111011010
K17	VOL UP	100000010100010
K18	9	100001001000010
K19	8	100000001000010
K20	7	100001110000010
K21	CH DOWN	100000100100010
K22	6	100000110000010
K23	5	100001010000010
K24	4	100000010000010
K25	CH UP	100001000100010
K26	3	100001100000010
K27	2	100000100000010
K28	1	100001000000010
K29	-----	100000001100010
K30	-----	10000011111010
K31	TV/VIDEO	100001100100010
K32	POWER	100000110100010



SCHEMATIC DIAGRAM

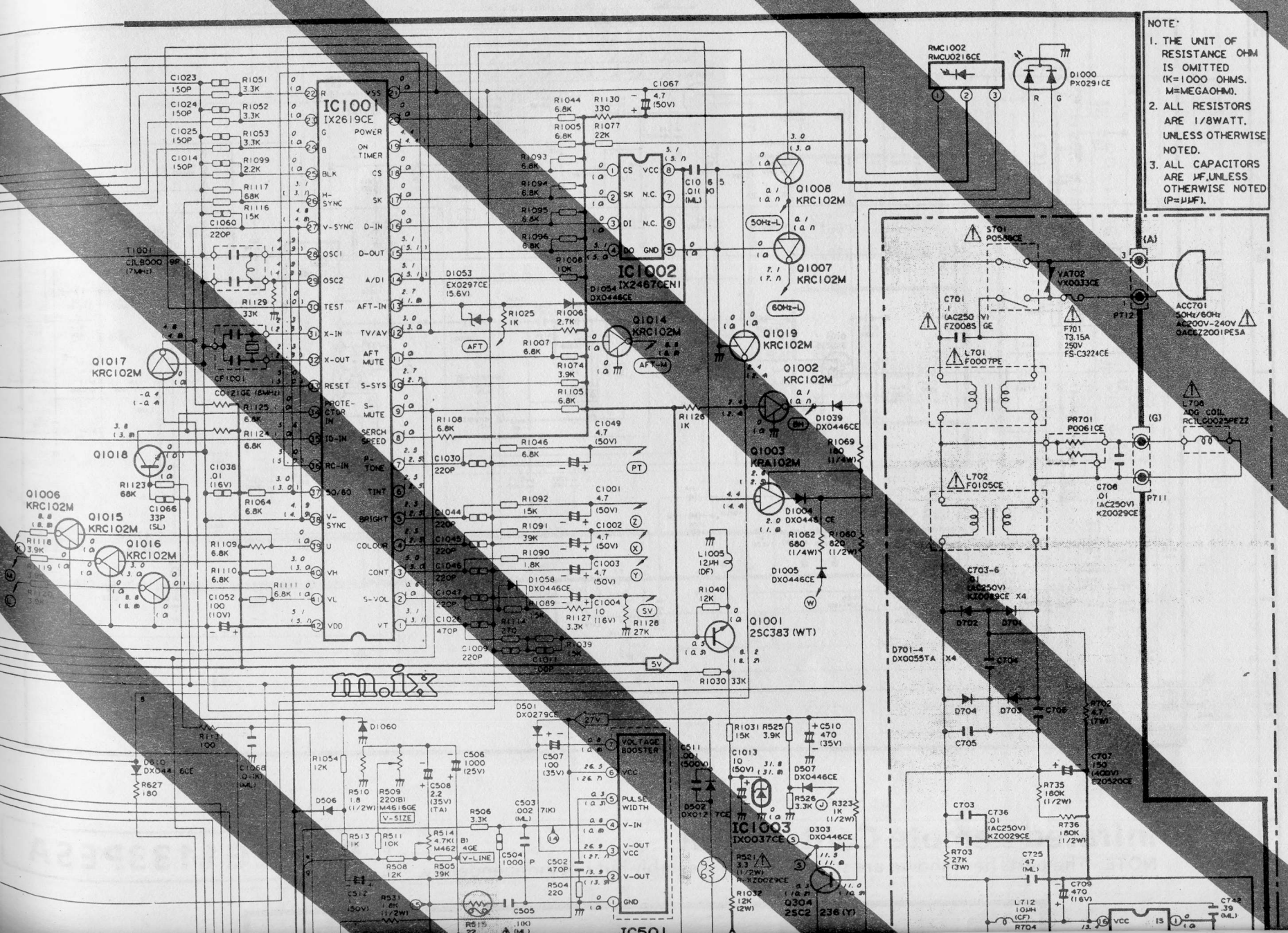




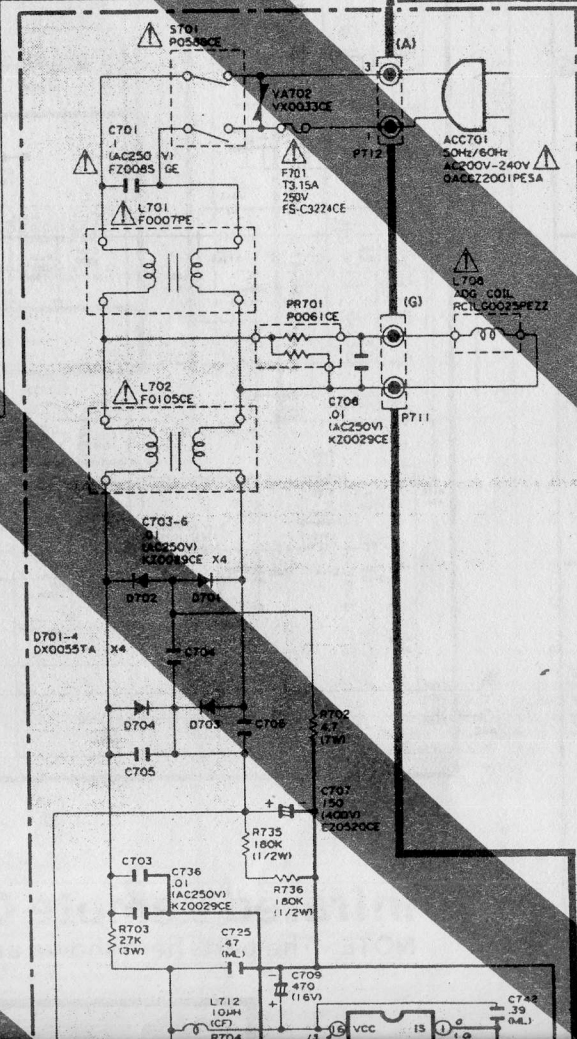
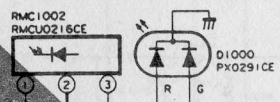
TUNER
TU201
VTUVTS1SH6-004

J451
JAKHOOTCE

AUDIO-IN VIDEO-IN AUDIO-OUT VIDEO-OUT



- NOTE:
1. THE UNIT OF RESISTANCE OHM IS OMITTED (K=1000 OHMS. M=MEGAOHM).
 2. ALL RESISTORS ARE 1/8WATT, UNLESS OTHERWISE NOTED.
 3. ALL CAPACITORS ARE μ F, UNLESS OTHERWISE NOTED (P= μ MFD).



m.i.x

IC501

