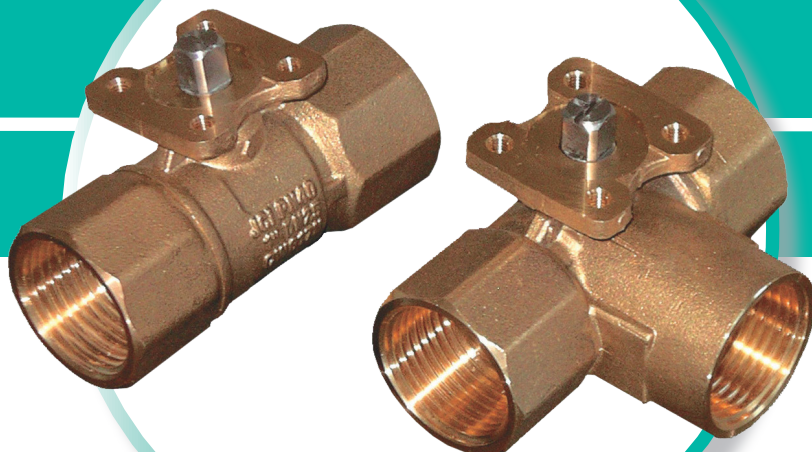


JV205 & JV305



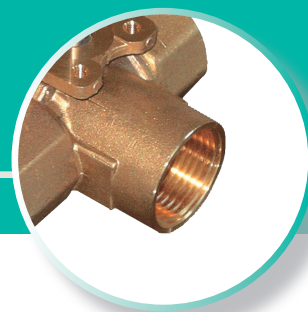
2- AND 3-WAY CONTROL VALVES WITH STAINLESS STEEL BALL

JVx05 Series Ball Valves are designed to regulate the flow of hot or chilled water and low pressure steam in response to the demand of a controller in HVAC systems.

Available in sizes DN15 through DN50, this family of two- and three-way forged brass valves is factory or field mounted to Joventa Non-Spring Return and Spring Return Electric Actuators for On/ Off, Floating, or Proportional control.

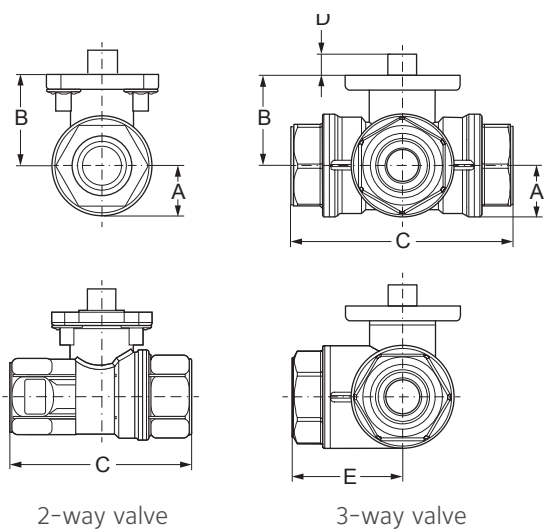
FEATURES

- Forged brass body
- K_{VS} 1...63
- 2-way, 3-way mixing and diverting configurations
- Inherent equal percentage flow characteristic in the in-line port of all valves
- BSPP female threaded body connections
- Service
 - Hot and cold water: -30...95°C with BAD-BMD series
(140°C with M9000-561 Thermal Barrier)
 - 30...100°C with BxFx.03x, BxFx.08x and BxSx.10 series
(140°C with M9000-561 Thermal Barrier)
- Water with glycol to max 50% volume
- Steam to max 100 kPa at 120°C with thermal barrier



JV205 & JV305

DIMENSIONS (in mm)



BODY SIZE	A	B	C	D	E
DN15	17	31	67	9	33
DN20			75		38
DN25	19	33	92		46
DN32	26	44	109		54
DN40	29	48	119		59
DN50	37	53	139	74	

ORDERING INFORMATION

CODES	BODY SIZE	CONTROL PORT (K_{VS})	BY-PASS PORT (K_{VS})
JVx05AD	DN15	1.0	0.63
JVx05AE		1.6	1.0
JVx05AF		2.5	1.6
JVx05AG		4.0	2.5
JVx05AL		6.3	4.0
JVx05AN		10	5.0
JVx05BL	DN20	6.3	4.0
JVx05BN		10	5.0
JVx05CN	DN25	10	6.3
JVx05CP		16	8.0
JVx05DP	DN32	16	10.0
JVx05DR		25	12.5
JVx05ER	DN40	25	16
JVx05ES		40	20
JVx05FS	DN50	40	25.0
JVx05FT		63	31.5