

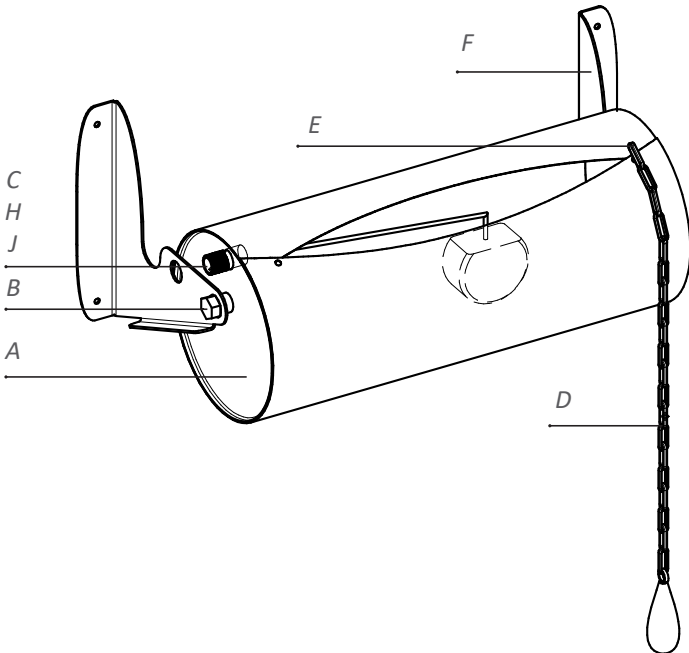
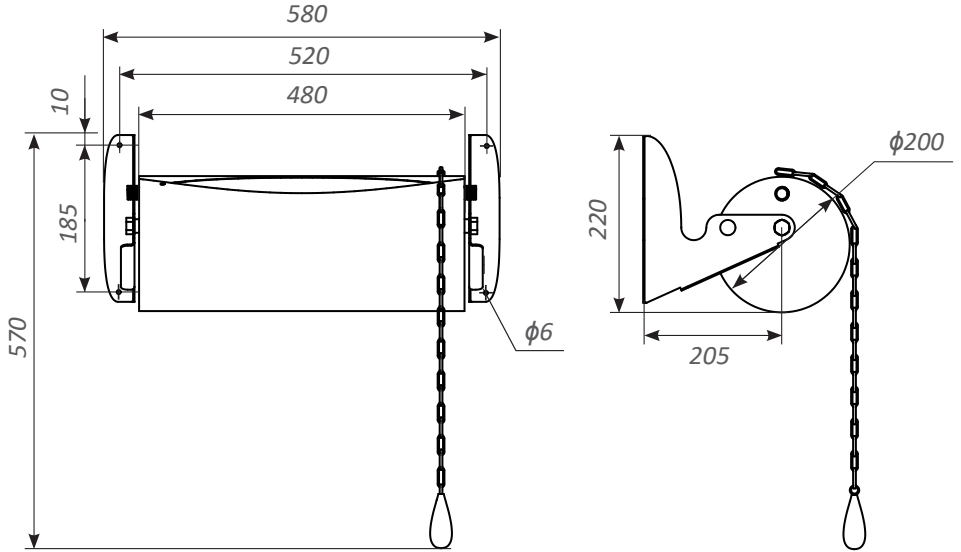
Operation Manual

Bucket shower

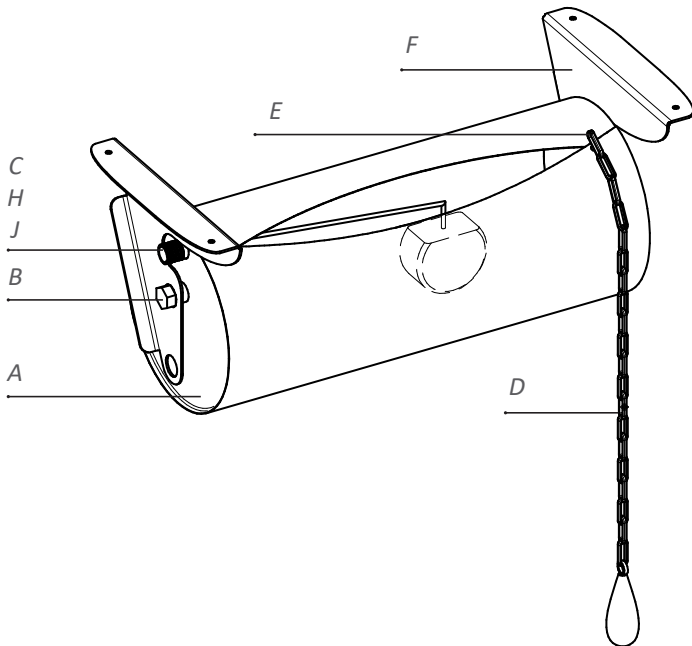
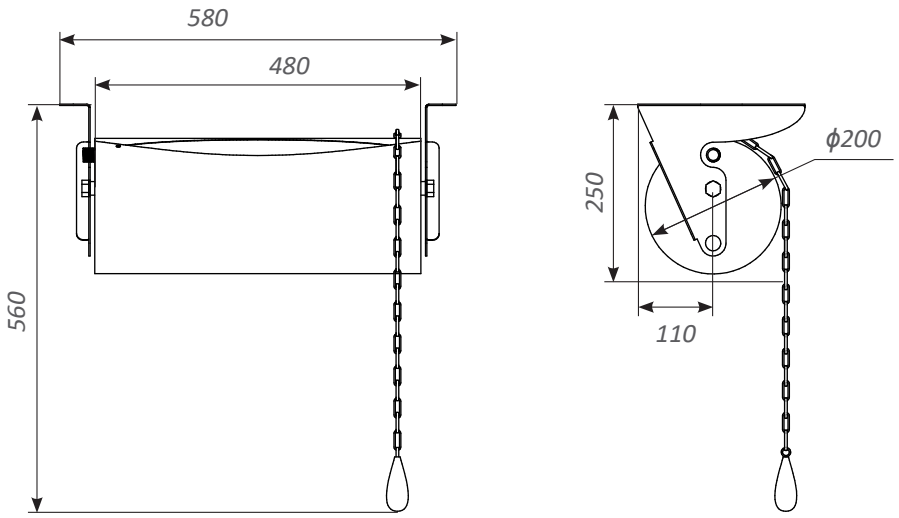
Read the manual carefully before commencing installation and operating of the product. Keep it for future use.



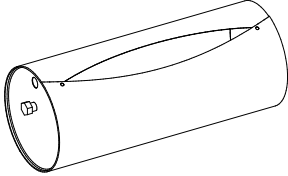









Wall-mounted



Ceiling-mounted



PARTS

№	Type	Name	Quantity, pcs	Material
A		Body (volume of 15 l)	1	Stainless steel
B		Locknut	2	Stainless steel
C		Float valve	1	Copper
D		Chain with handle	1	Stainless steel, wood
E		Fastening elements	1	Galvanized steel
F1		Wall bracket left	1	Carbon steel
F2		Wall bracket right	1	Carbon steel
G		Plug	1	Plastic
H		Rubber spacer	1	Rubber
J		Fluoroplastic spacer	3	Fluoroplastic

Packer: _____
(Name, signature)

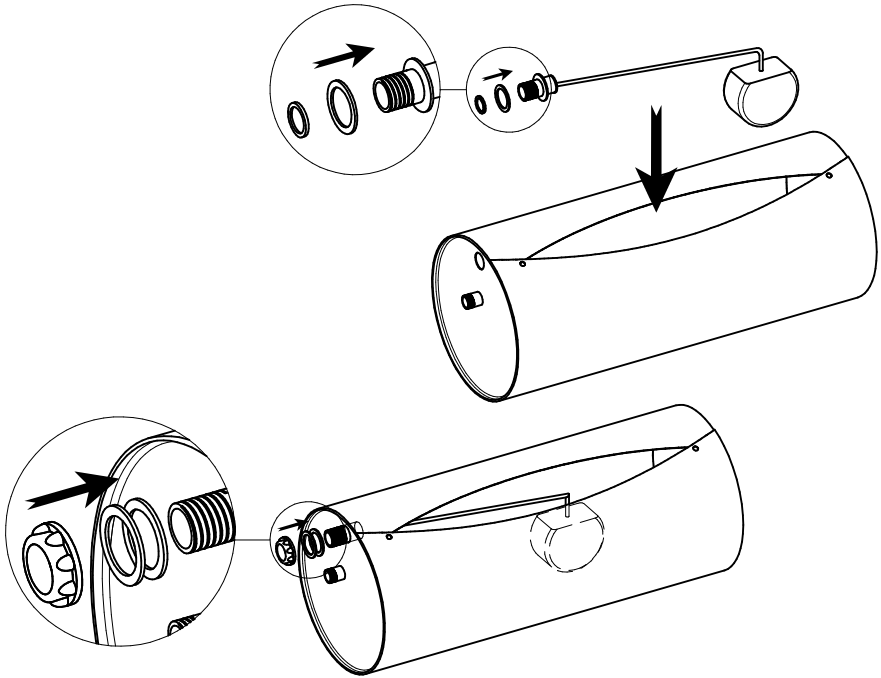
QCD: _____
(Name, signature)

Date: _____

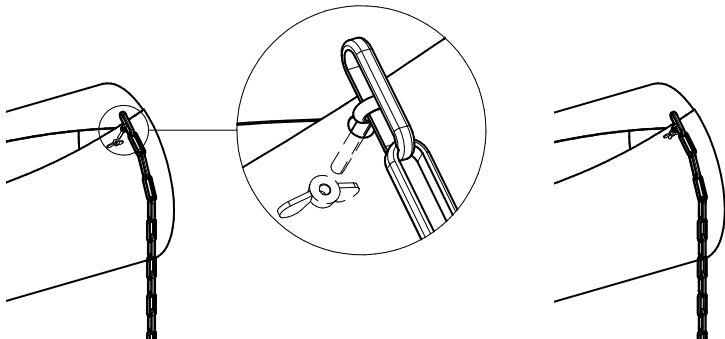
ASSEMBLING

Note: before assembling and installing the device, it is necessary to determine the position of the rotary device (chain with handle) that will ensure comfortable use, as well as the side the water main will be connected to (reposition plug G if necessary). The float valve as well as the chain can be installed both on the right and on the left side of the device.

1) Install the fluoroplastic spacer, and the rubber one on the nozzle of the float valve **C**, as shown in the figure. Install the float valve into the device's body **A**. Install two fluoroplastic spacers onto the nozzle, make the nut.



2) Install the chain with handle **D**, and fix it using a winged nut **E**.



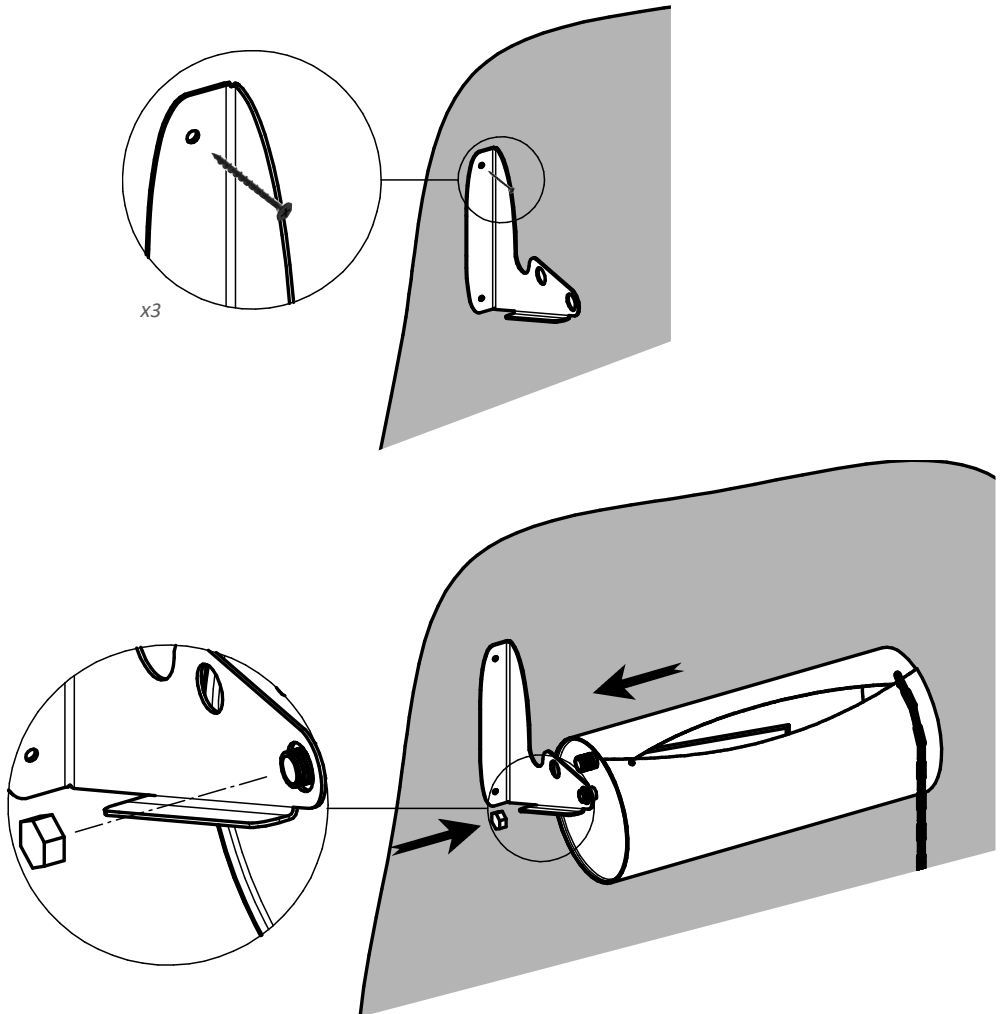
INSTALLATION

1) Mark the wall brackets' **F1-2** attachment positions considering the device's dimensions. Should it be necessary to determine horizontal and vertical, use carpenter's level. Fix one of the brackets using one of the necessary fastening elements.

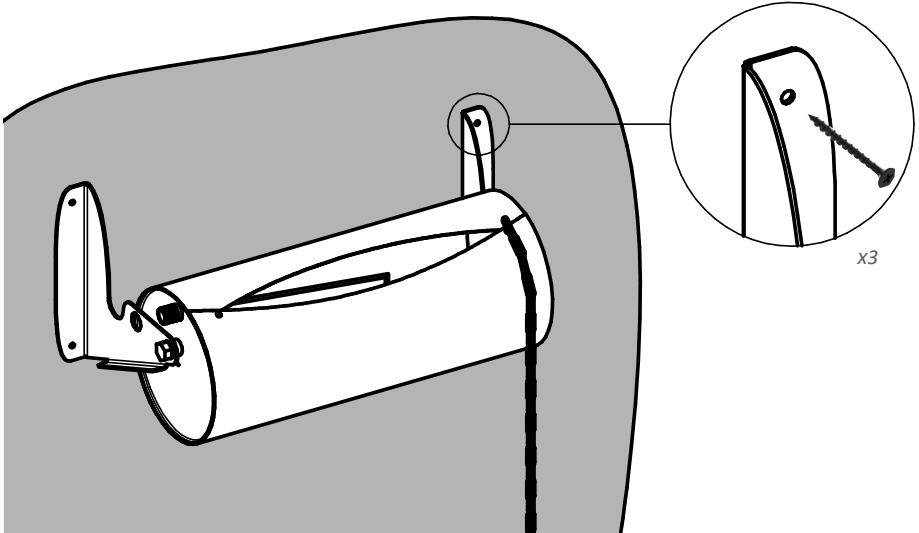
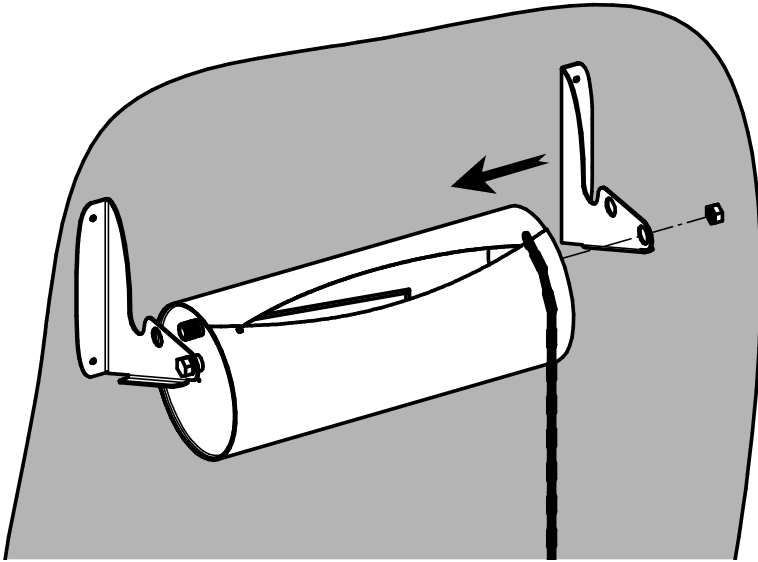
IMPORTANT! Wall brackets are not interchangeable: F1 is left side, F2 is right side.

2) Install the body axis **A** into the orifice in the wall bracket **F**. Make the locknut **B** onto the device's axis.

IMPORTANT! Should the device be wall-mounted, the body axis is installed into the nearest orifice (refer to the figure), should it be ceiling-mounted, it is installed into the orifice at the base of the wall bracket.



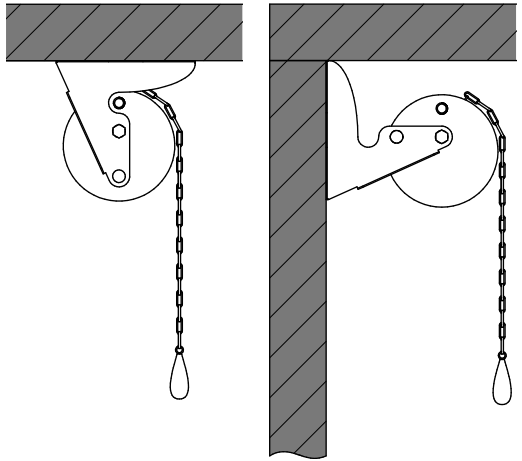
3) Install the axis on the opposite side of the body **A** into the orifice in the second wall bracket **F**. Make the locknut **B** onto the device's axis. Fix the wall bracket **F** on the wall.



*Note: the assembly and installation procedure for a wall-mounted device is described above. The procedure for mounting on the ceiling is similar except that the body axis **A** is installed into the holes at the base of the wall brackets **F**.*

PROCEDURE

After connection of water main or storage tank, and turning on of the water supply, the automatic filling of the bucket shower body will begin. When the tank is filled to the required level, the water supply will automatically stop. After that, the device is ready for use as intended. Dumping of the body with water is carried out using a rotary device in the form of a chain with handle. When the handle is released, the outpour of water stops, the body returns to its initial position and its filling with water begins.



LIMITATIONS

The following is prohibited:

- Make design changes, use the product not as intended.
- Use of water with a high content of salts, iron, lime and other impurities that do not meet the standards (pH > 7).
- Leave water in the device at any time of the year.

WARRANTY

The warranty period for the Product is 12 months from the date of purchase by the Consumer, but not more than 24 months from the date of shipment of the Product to the Dealer, with the filled-in marks on the last page of this manual, namely: the date of sale, the seller's signature, the store's stamp. The date of sale must be confirmed by a check or other document.

IMPORTANT! The Manufacturer disclaims warranty liability in the absence of a store stamp.

If the Consumer detects a non-compliance of the Product with the specified properties, the Consumer has the right to address a claim to the Company that sold the Product. However, the Company has the right to contact the Manufacturer to resolve issues regarding the Claim. The Manufacturer undertakes to improve the entire Product or its part (as decided by the Manufacturer) free of charge, replace the entire Product, its components, parts, compensate for the damage in any other way (as agreed with the Consumer), if the defect occurred during the warranty period or due to the Manufacturer's fault.

Should the Consumer make alterations to the entire Product, its component(s), parts, then warranty obligations do not apply to the Product. Thereafter, the warranty does not apply to elements that are subject to periodic replacement during operation.

The Product warranty is not provided in case of violation by the Consumer of the requirements specified of this Manual, does not apply to defects resulting from mechanical damage, improper storage, installation, operation, or maintenance. The above violations by the Consumer release the Manufacturer from responsibility.