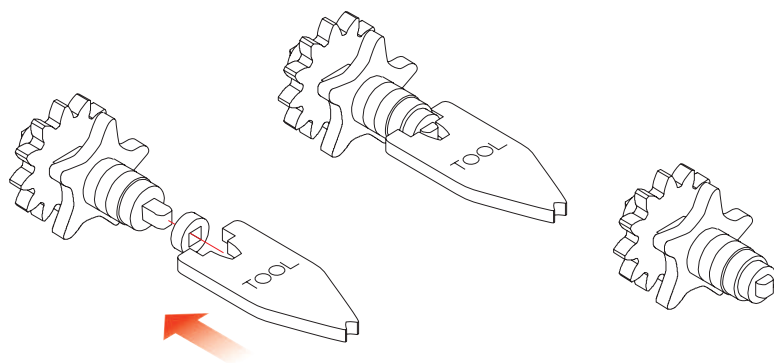
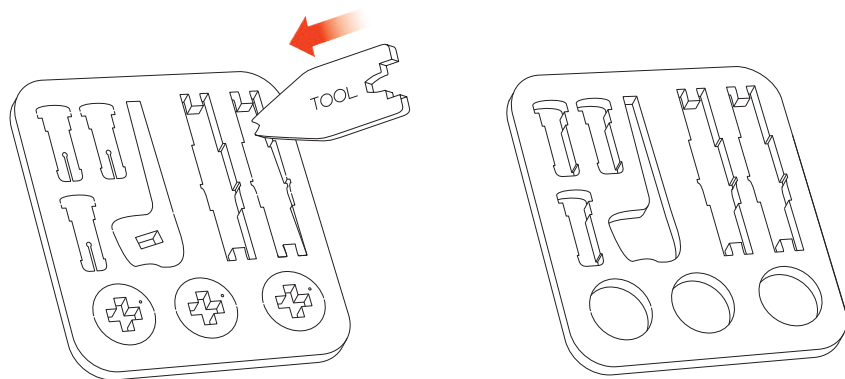


Инструкция для инструмента TOOL

Manual for TOOL





1

R60x8 R18x6

Wax Tool

2

6 x 3 WAX

5 4 1.2 1.2

C1

3

WAX ! 7

C1

4

3 x 6 WAX 2

8 9 1.1 1.1 C2 C1

C2 C3

5

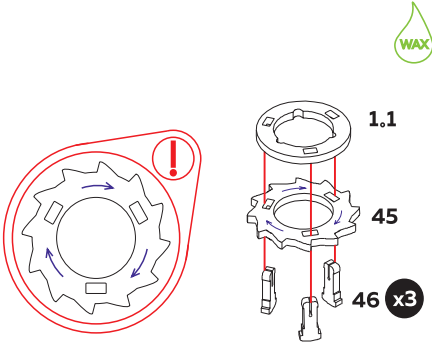
WAX

14 13 10 11 12 12 10 10

M1

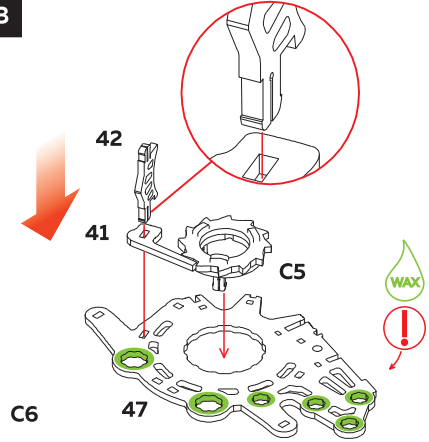
<p>6</p> <p>15 16 18 21 19 20 19 17 x3 16 15</p>	<p>M2</p>
<p>7</p> <p>15 16 17 x3 23 22 24 16 15</p>	<p>M3</p>
<p>8</p> <p>15 16 17 x3 25 22 26 16 15</p>	<p>M4</p>
<p>9</p> <p>15 16 28 27 29 16 15</p>	<p>M5</p>
<p>10</p> <p>35 31 32 30 37 36 x2 35</p>	<p>M6</p>
<p>11</p> <p>35 33 34 30 37 36 x2 35</p>	<p>M7</p>

12



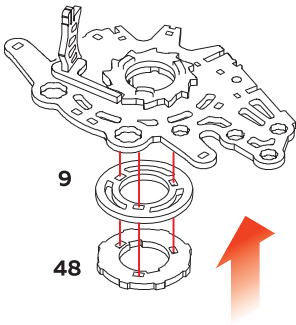
C5

13



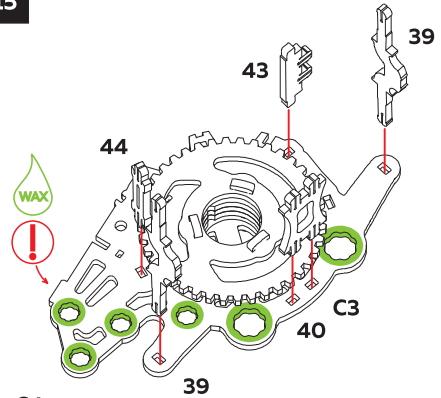
C6

14



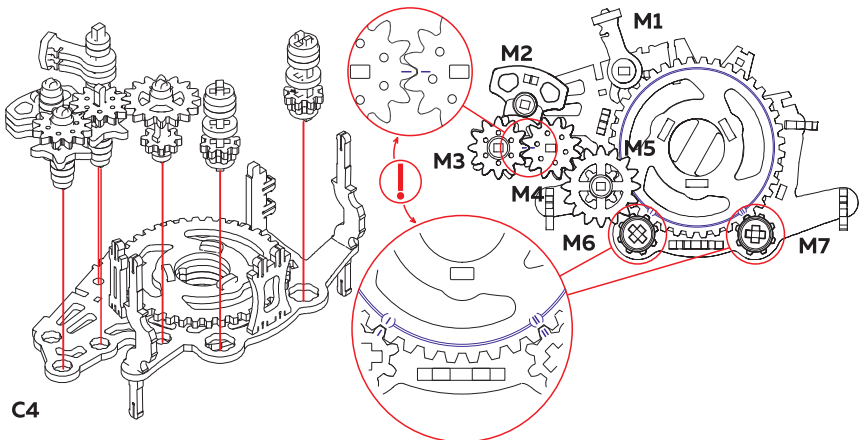
C6

15



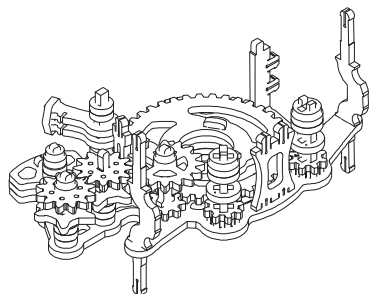
C4

16



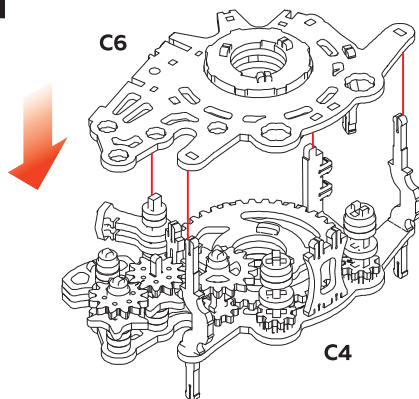
C4

17



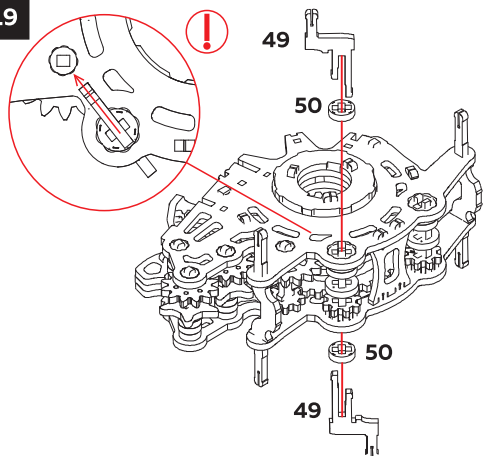
C4

18



C4

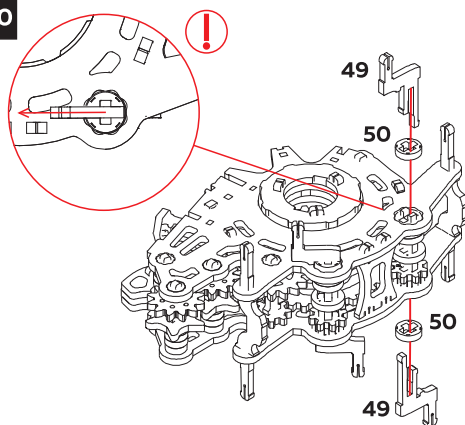
19



49

50

20



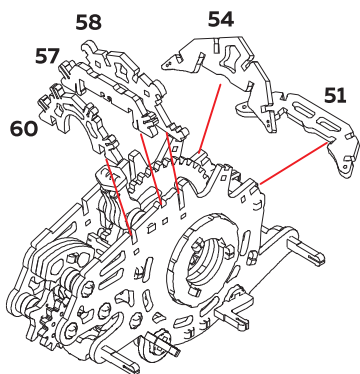
49

50

50

49

21



58

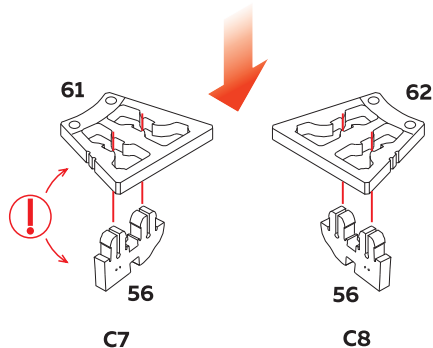
54

57

51

60

22



61

62

56

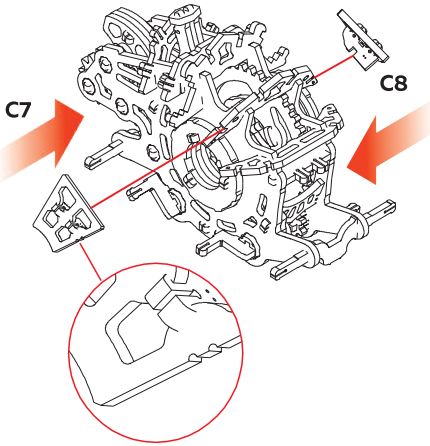
56

C7

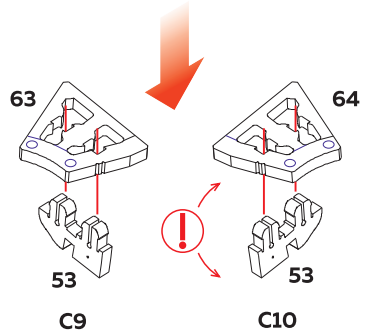
C8



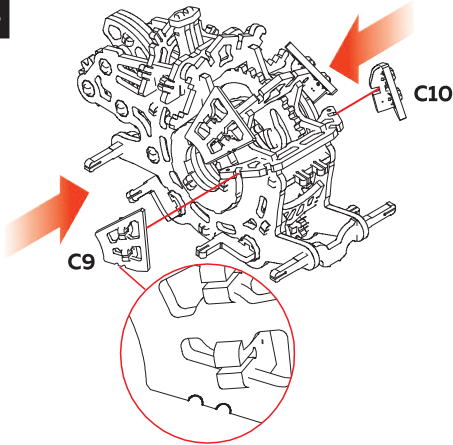
23



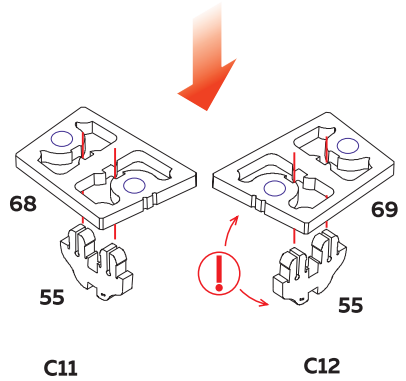
24



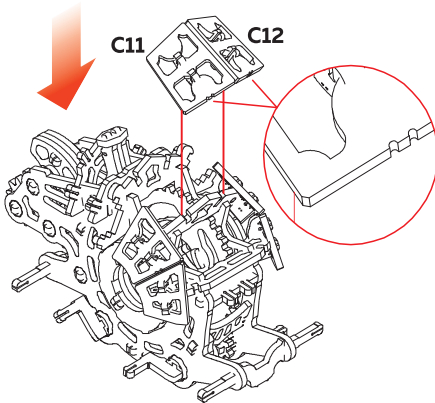
25



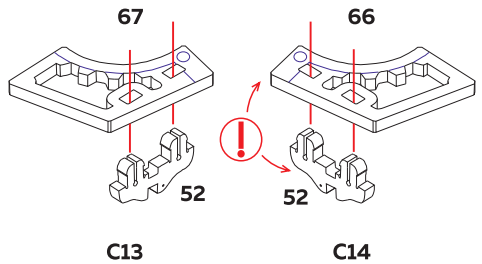
26



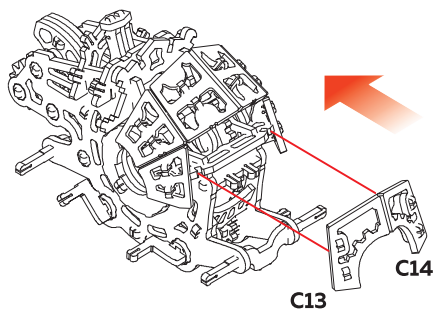
27



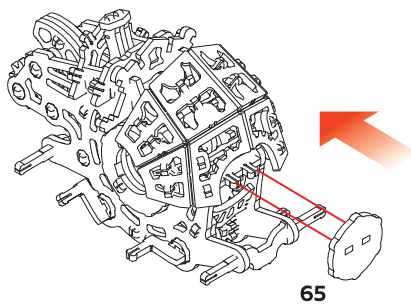
28



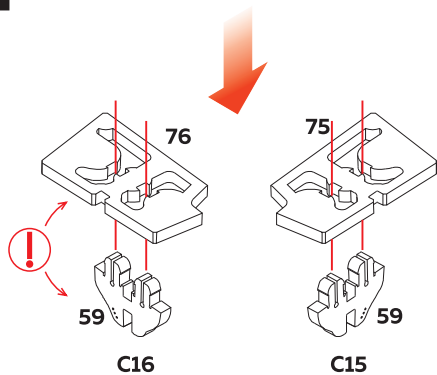
29



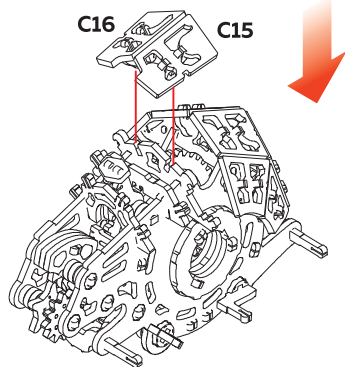
30



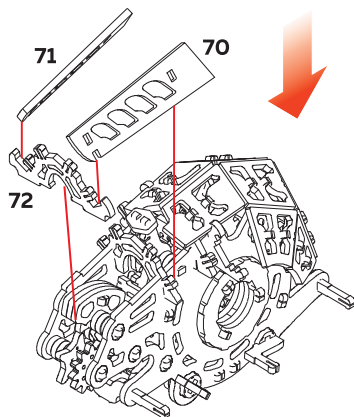
31



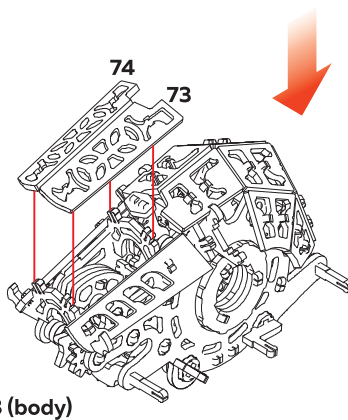
32



33

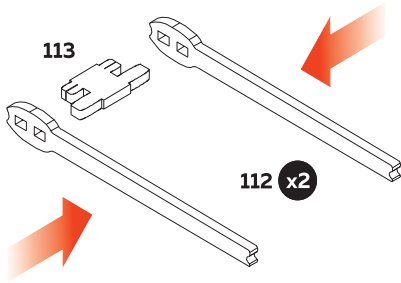


34



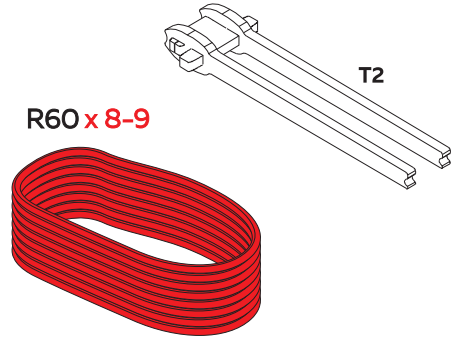


35

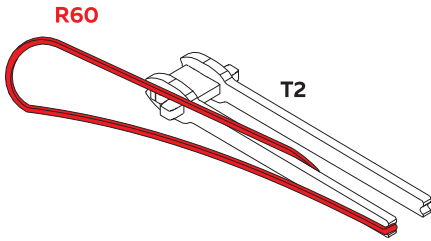


T2 (Tool 2)

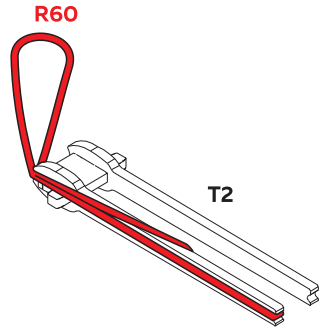
36



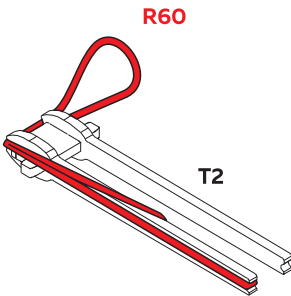
37



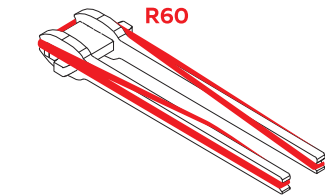
38



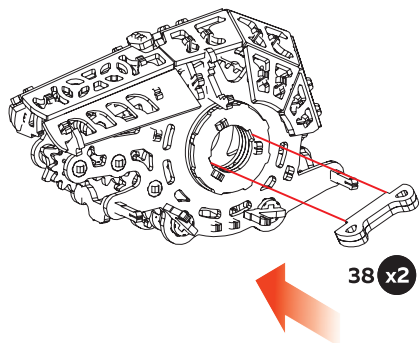
39



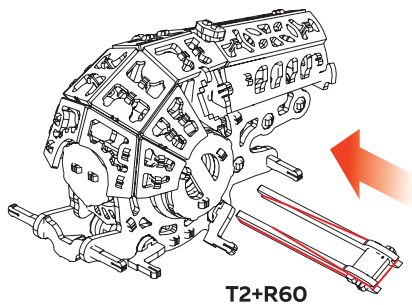
40



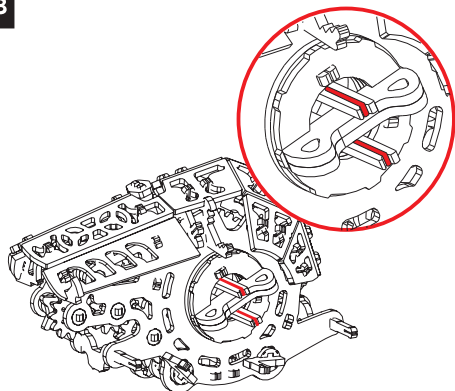
41



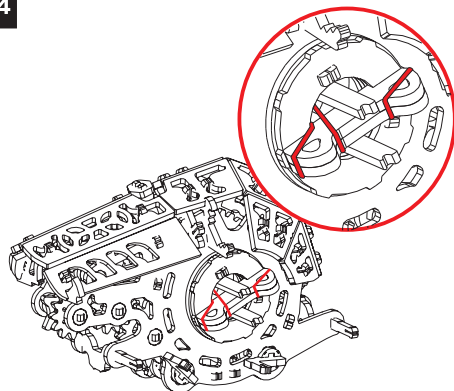
42



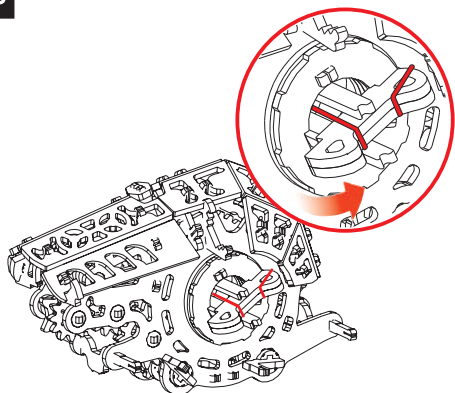
43



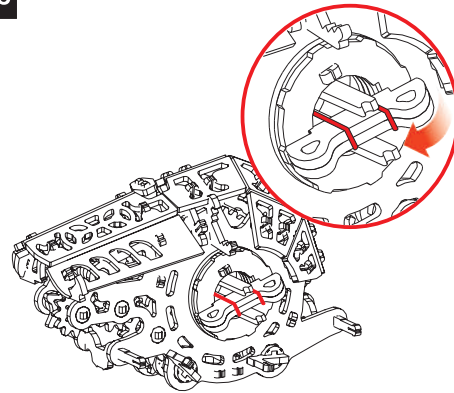
44



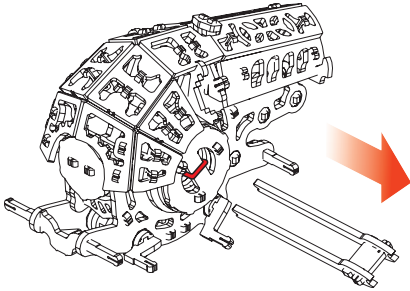
45



46

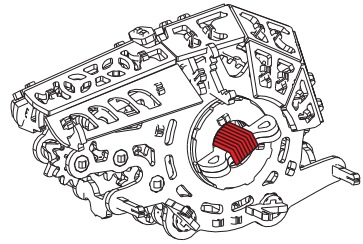


47

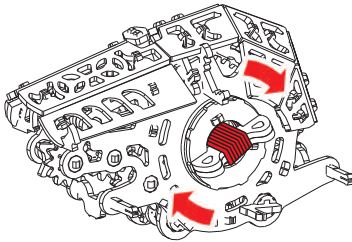
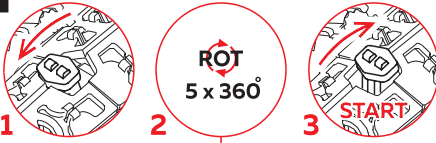


48

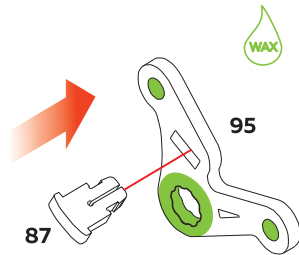
42 - 48 x 8-9



49

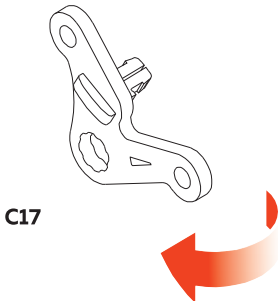


50 **R1**

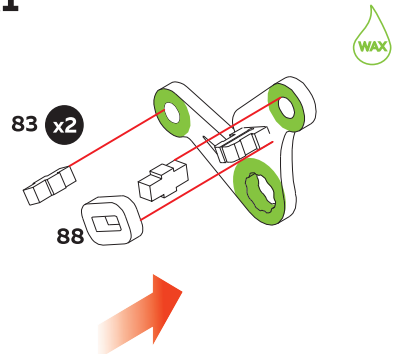


C17

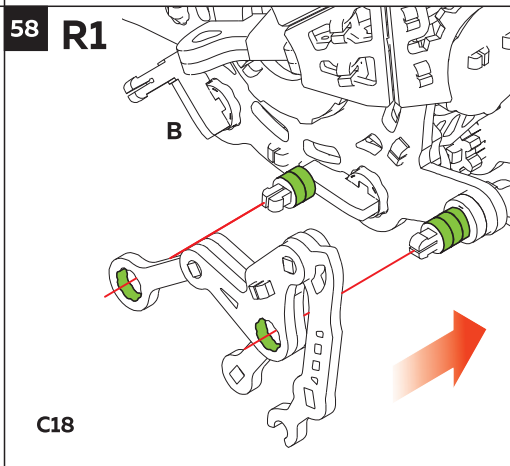
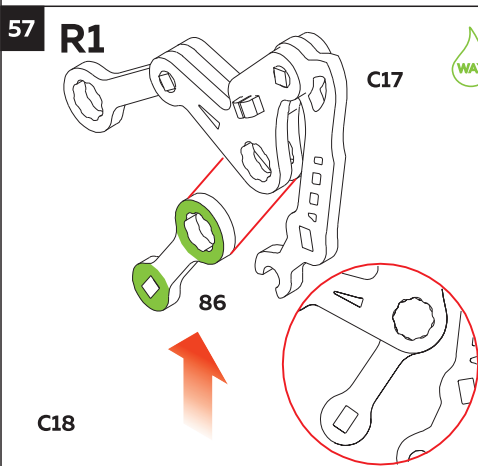
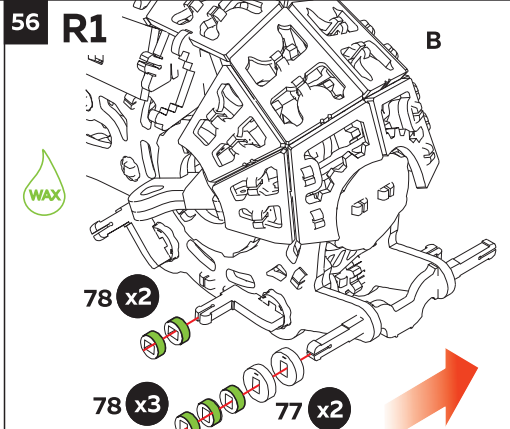
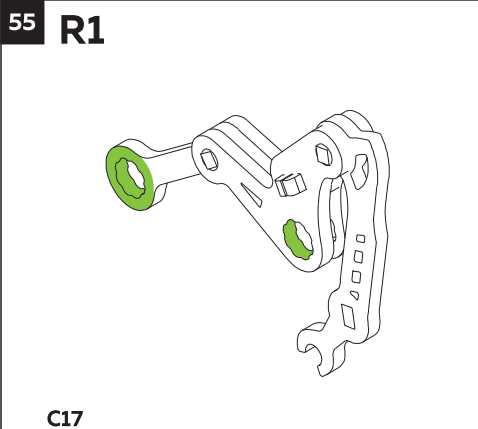
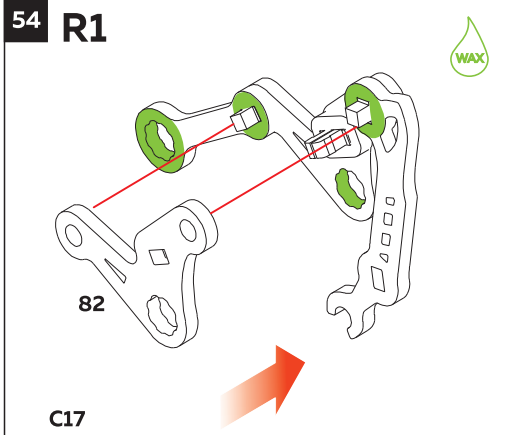
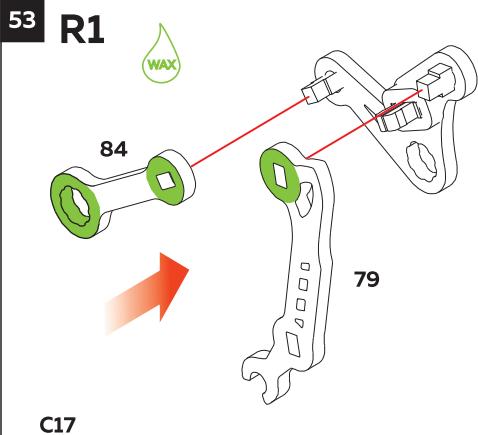
51 **R1**

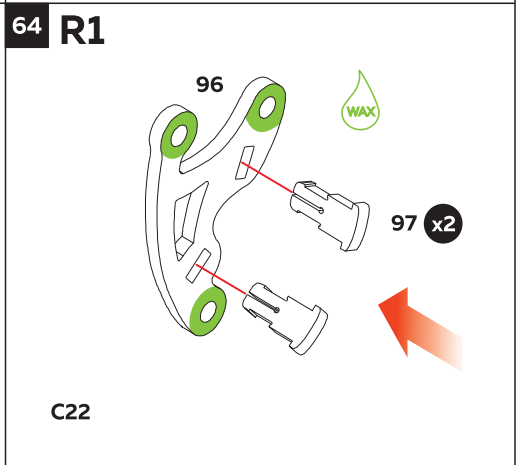
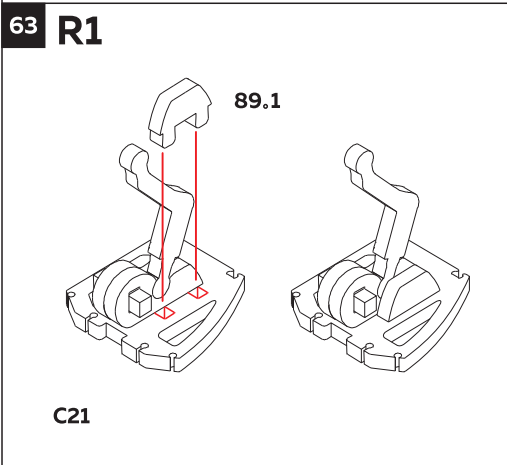
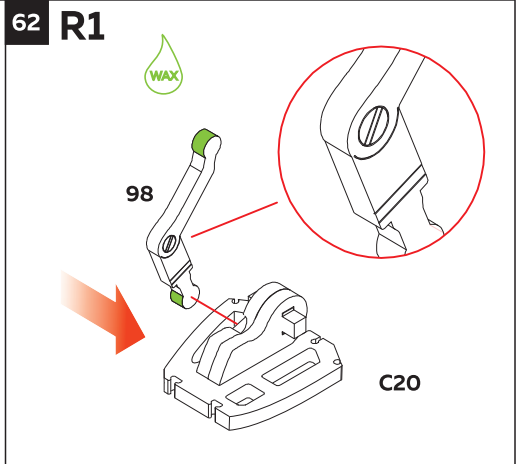
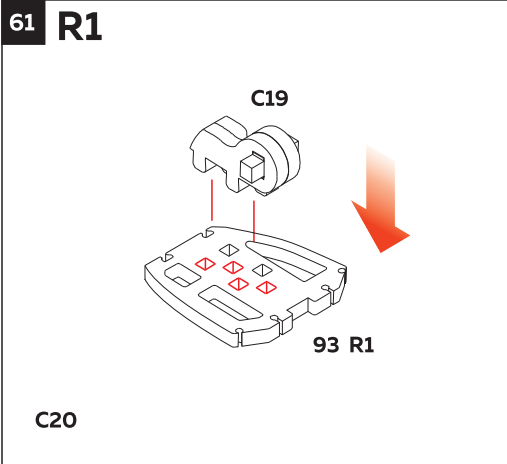
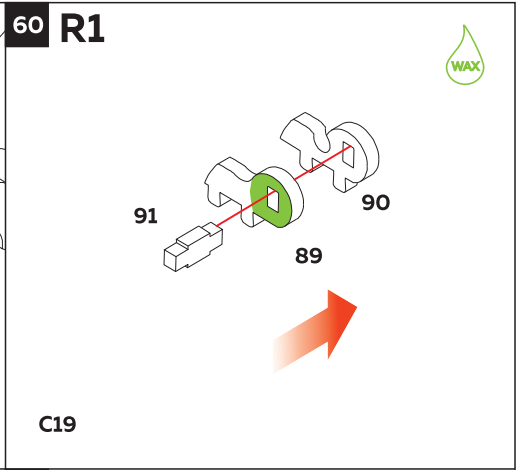
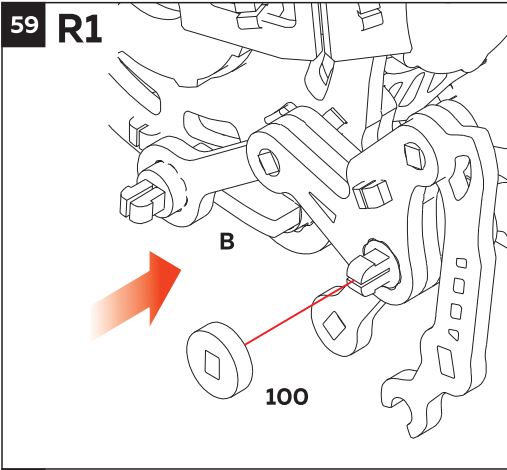


52 **R1**

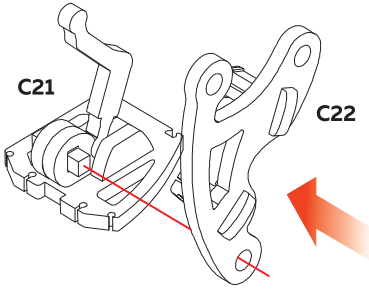


C17



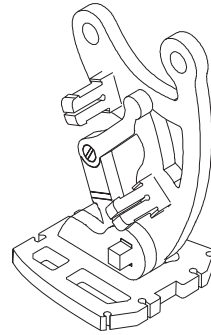


65 R1



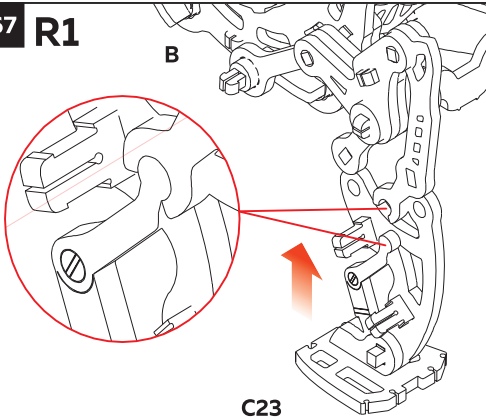
C23

66 R1



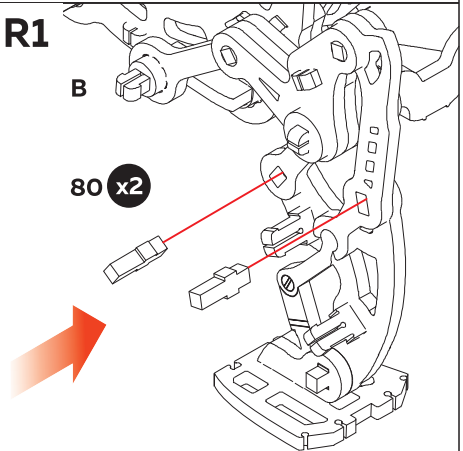
C23

67 R1

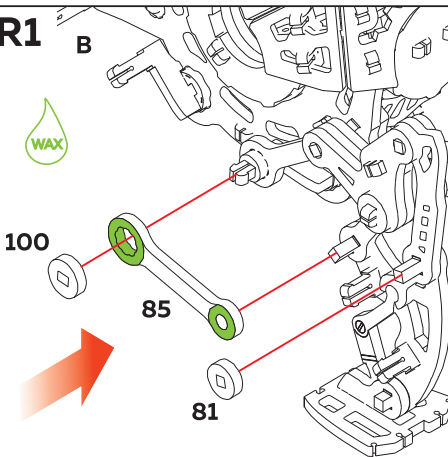


C23

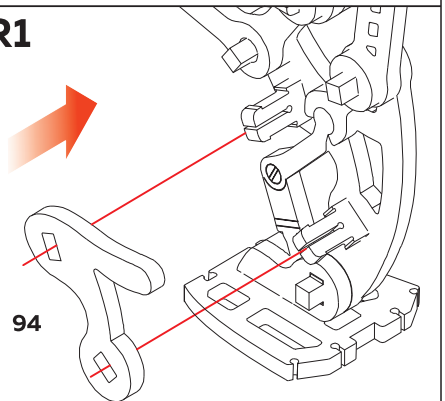
68 R1

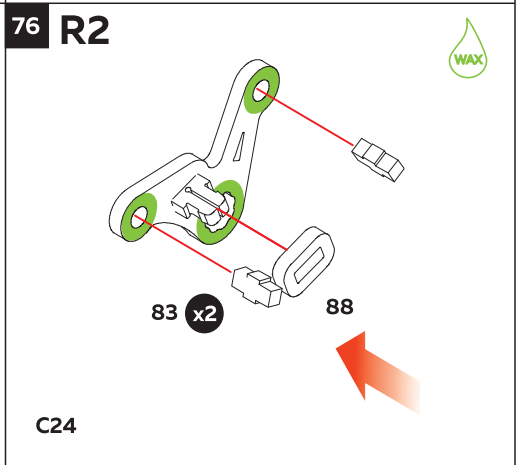
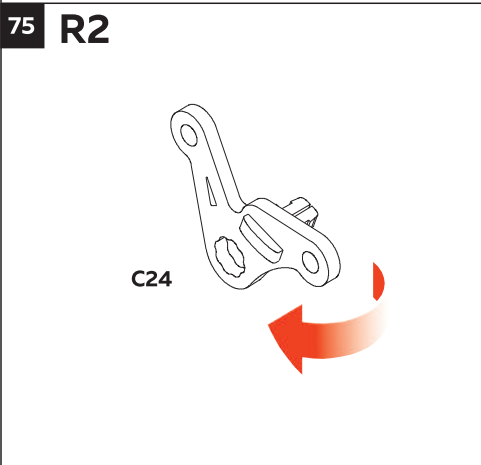
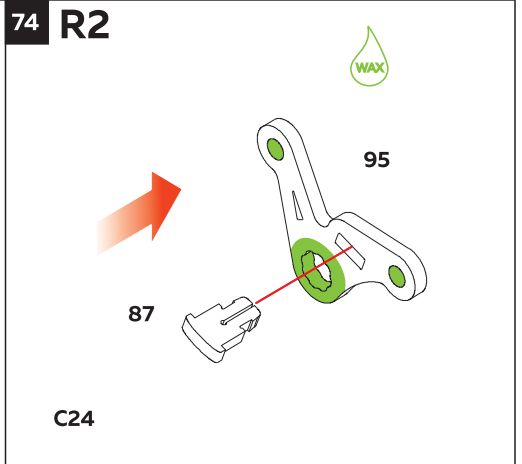
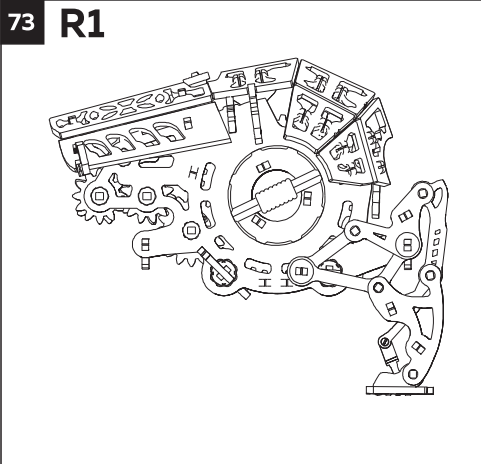
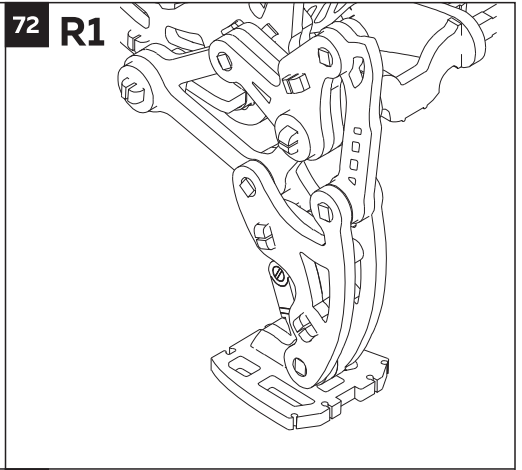
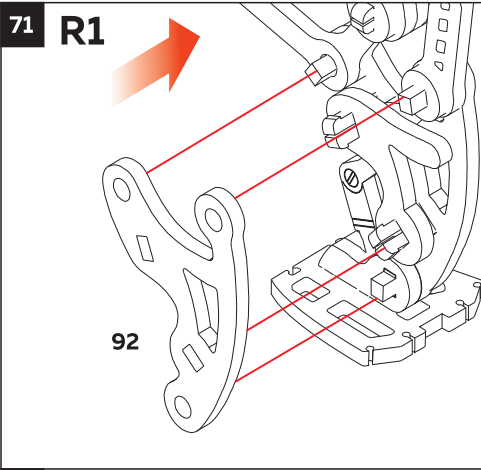


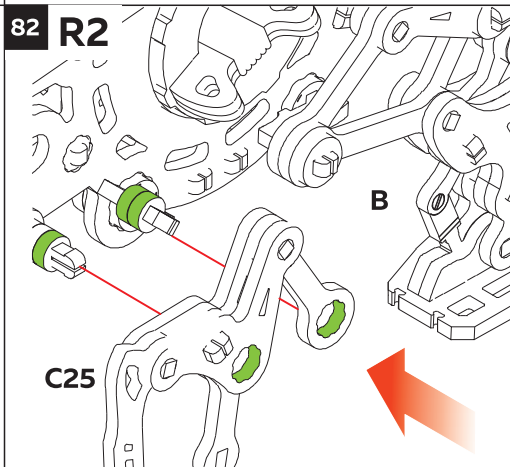
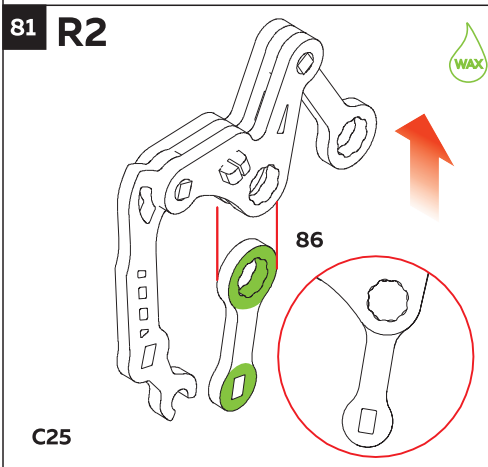
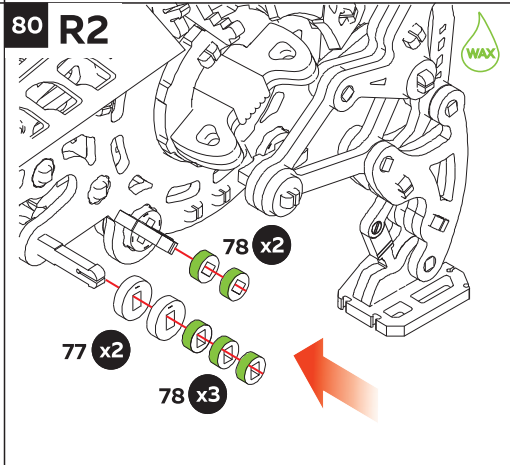
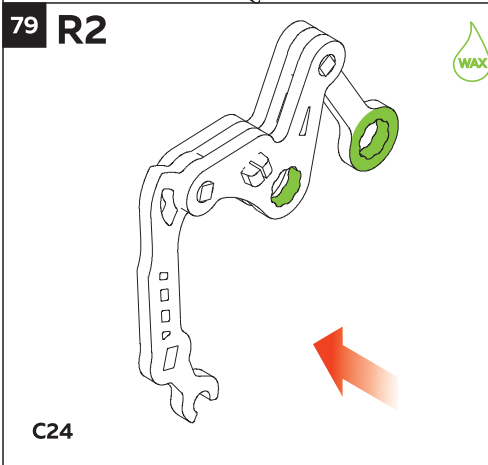
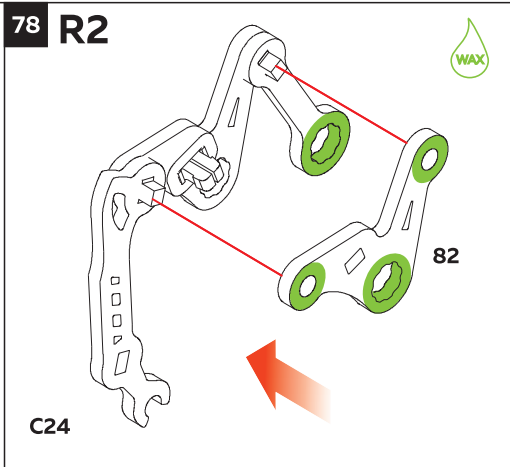
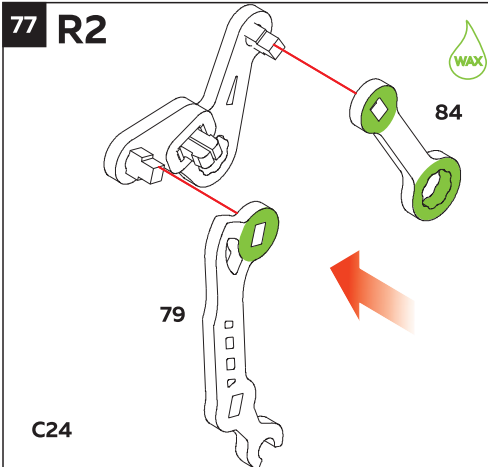
69 R1



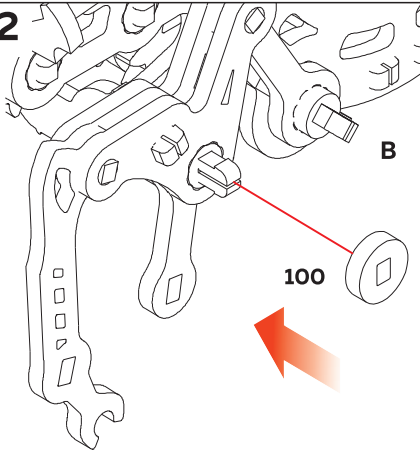
70 R1



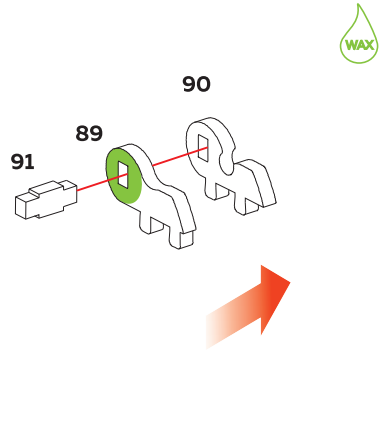




83 R2

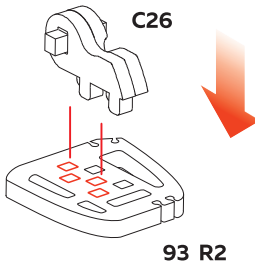


84 R2



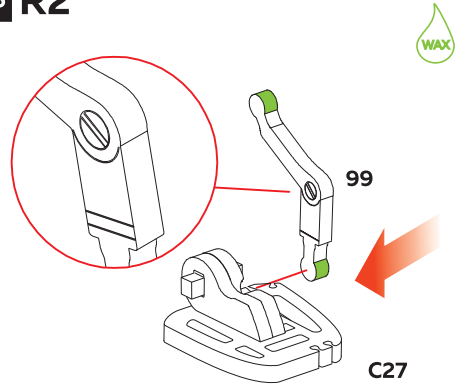
C26

85 R2



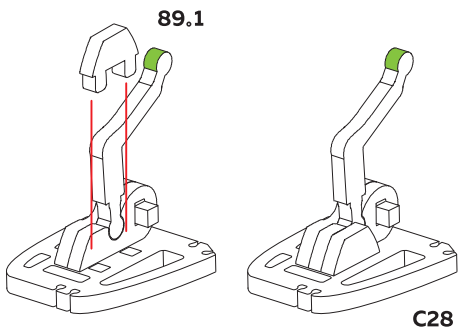
C27

86 R2



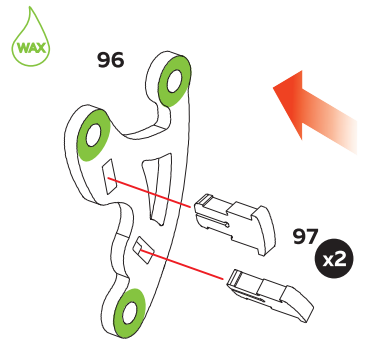
C27

87 R2



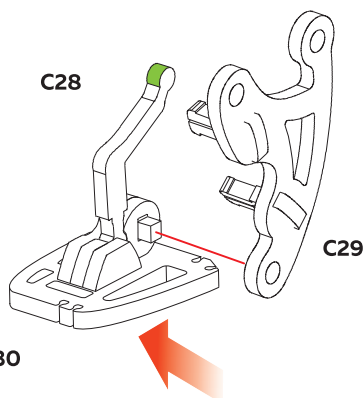
C28

88 R2

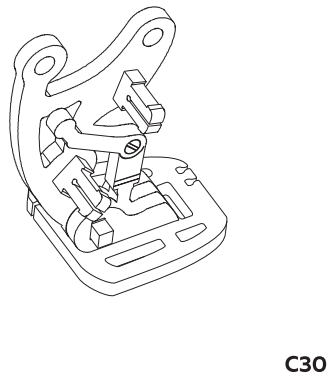


C29

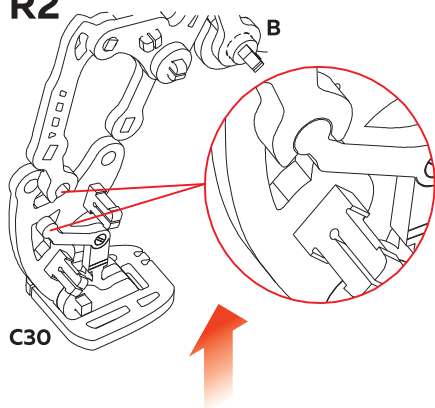
89 R2



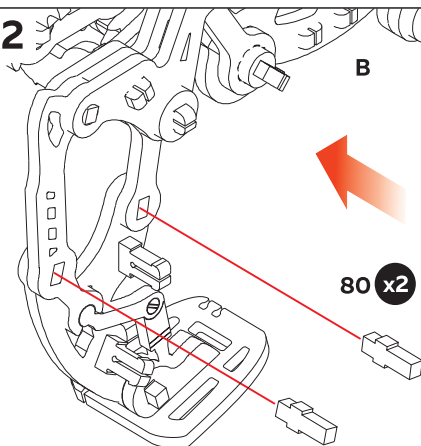
90 R2



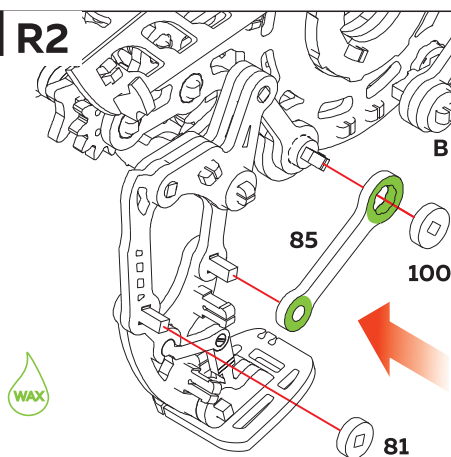
91 R2



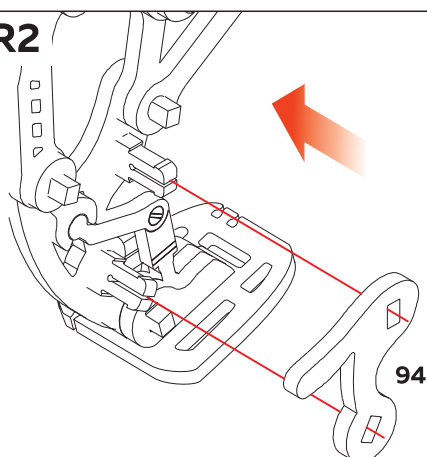
92 R2



93 R2

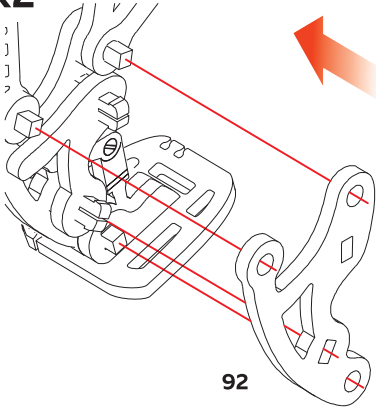


94 R2

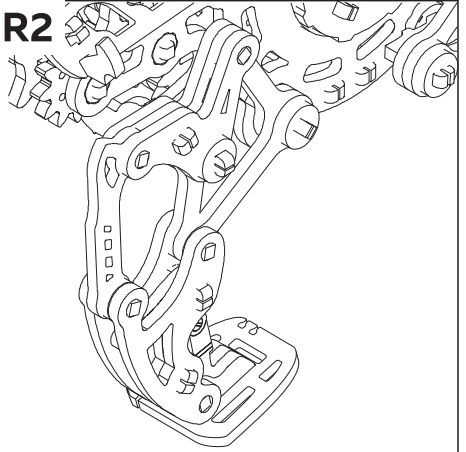




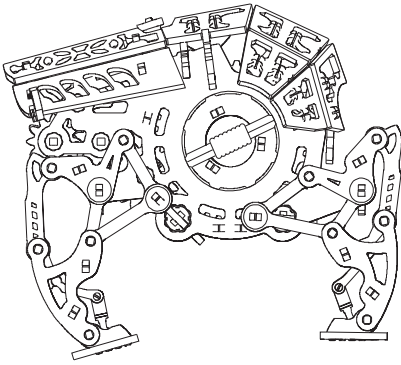
95 R2



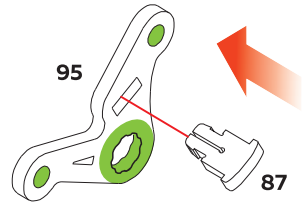
96 R2



97 R2

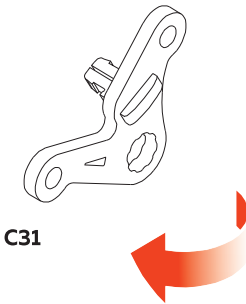


98 L1

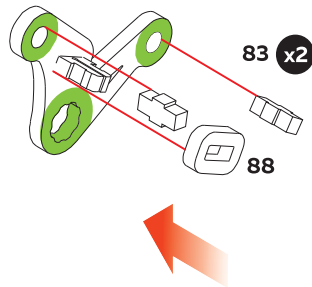


C31

99 L1

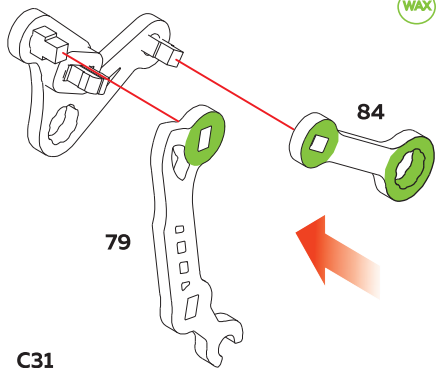


100 L1

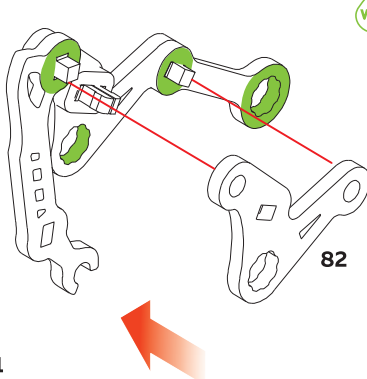


C31

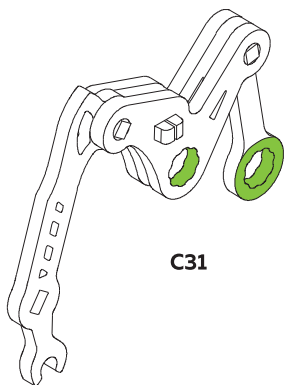
101 L1



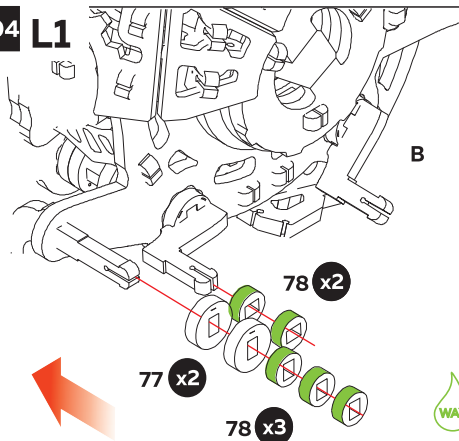
102 L1



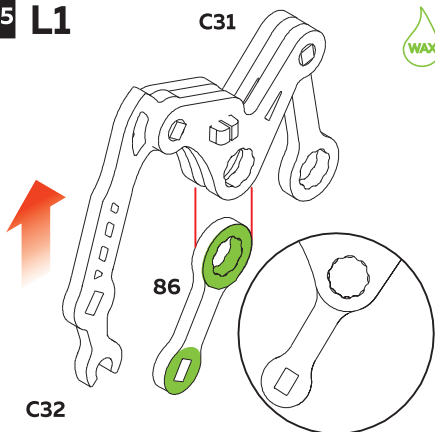
103 L1



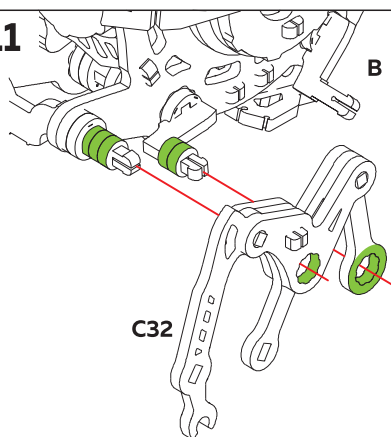
104 L1

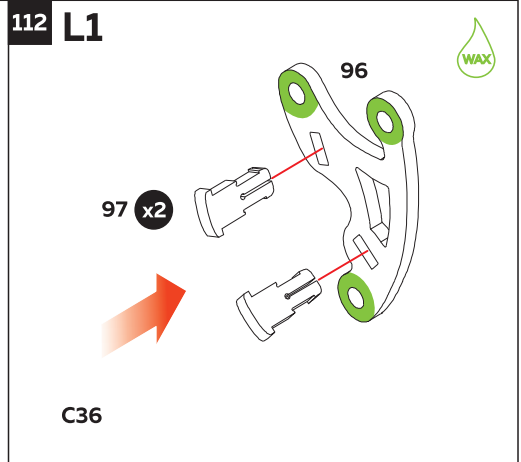
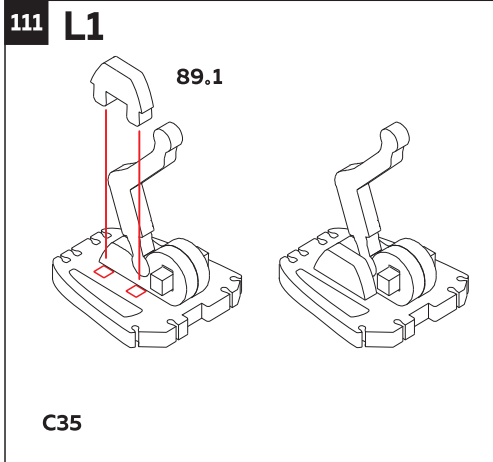
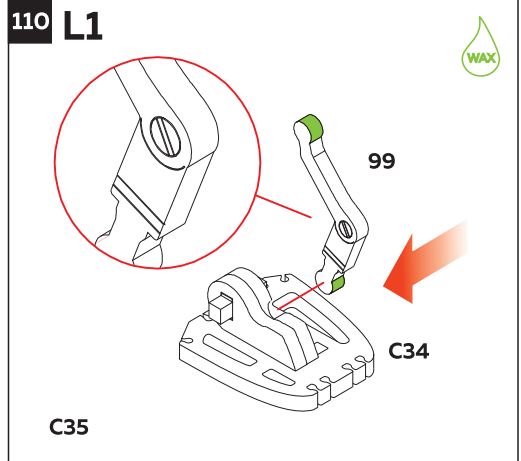
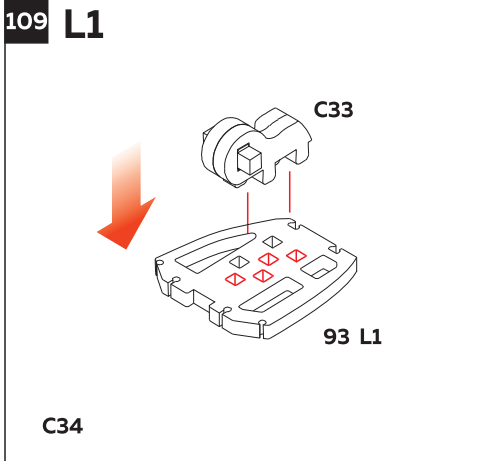
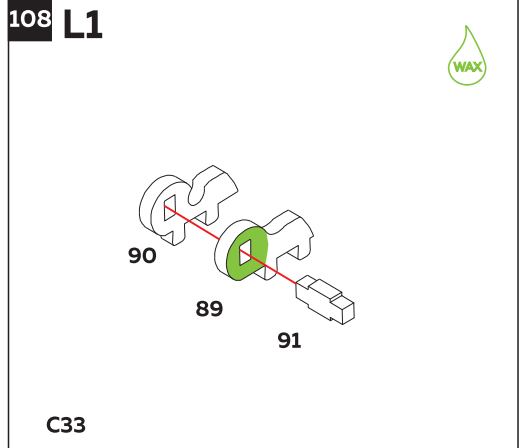
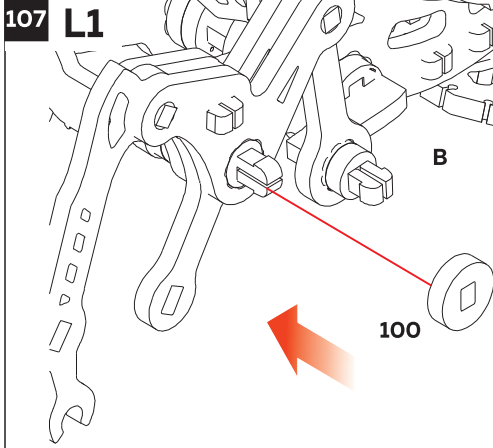


105 L1

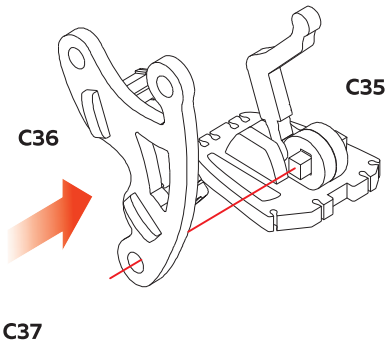


106 L1

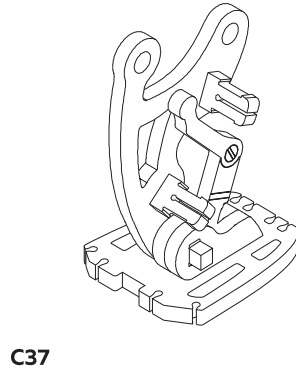




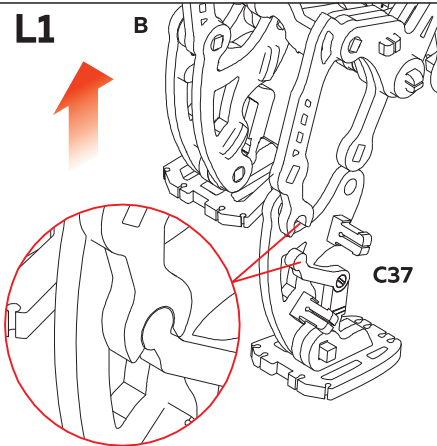
113 L1



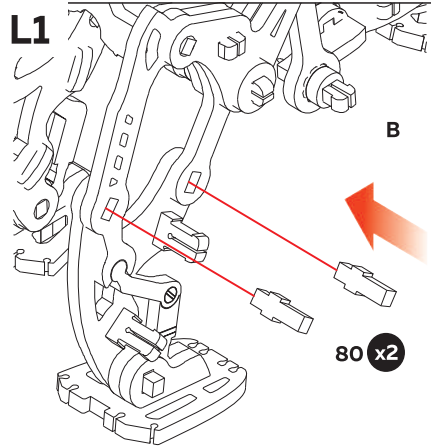
114 L1



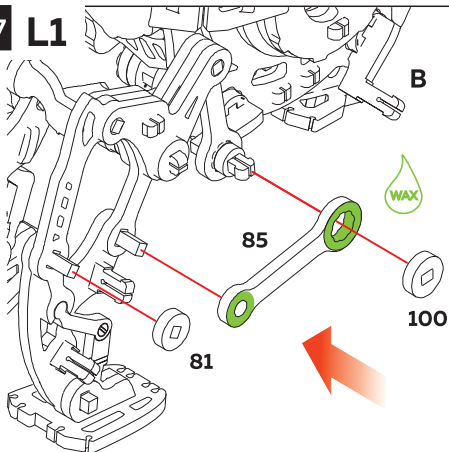
115 L1



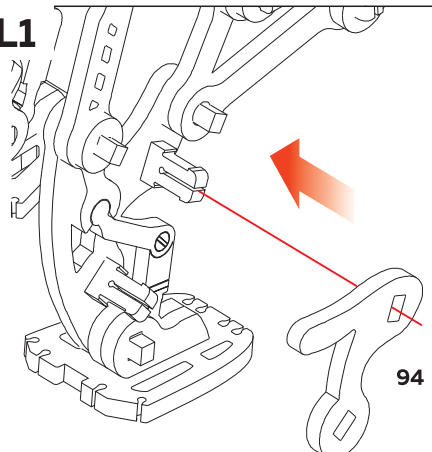
116 L1



117 L1

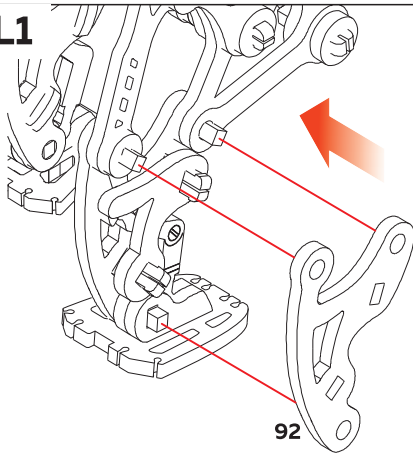


118 L1

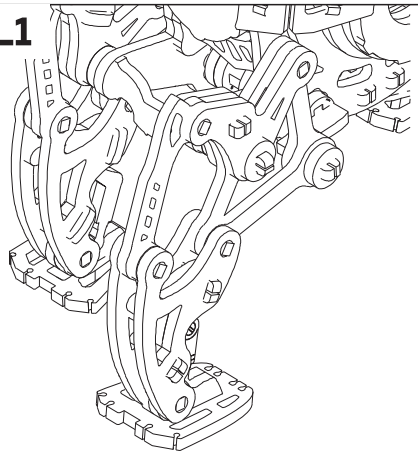




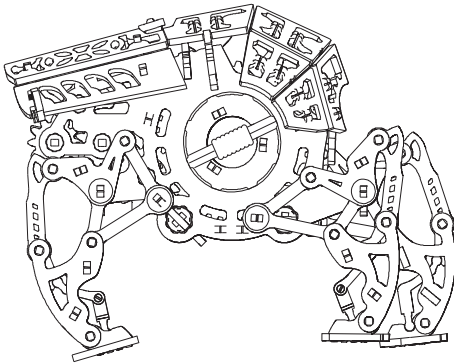
119 L1



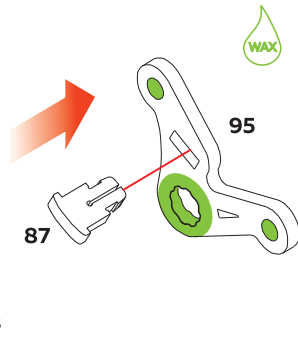
120 L1



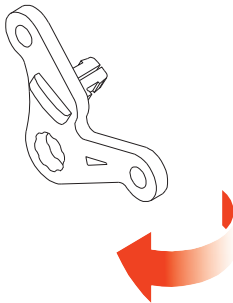
121 L1



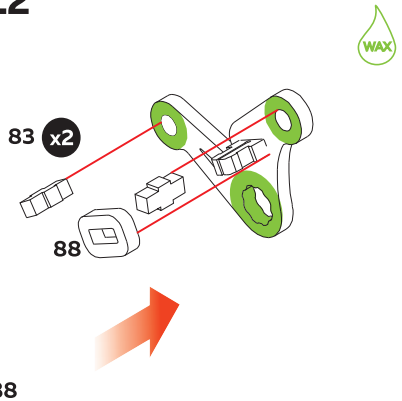
122 L2



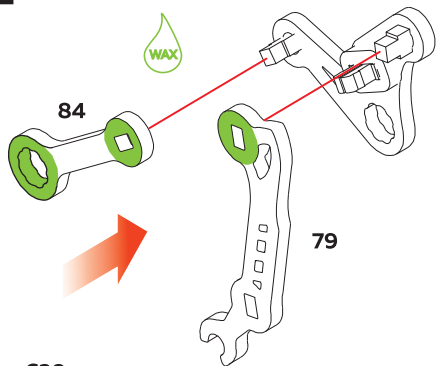
123 L2



124 L2

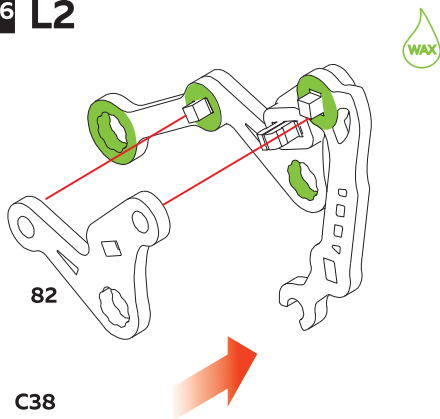


125 L2



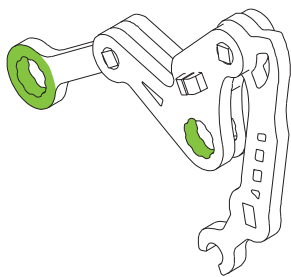
C38

126 L2



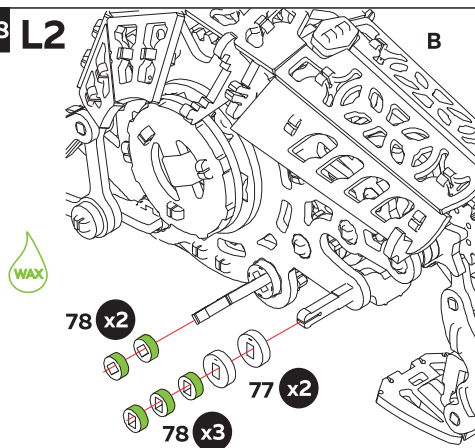
C38

127 L2

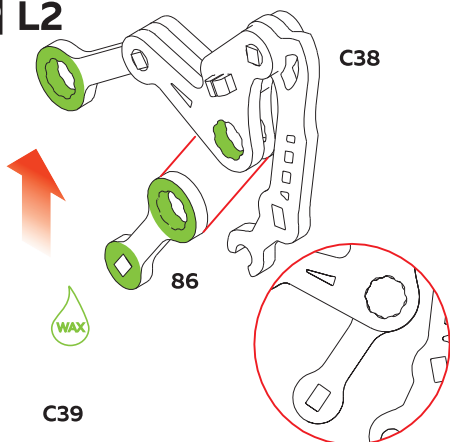


C38

128 L2

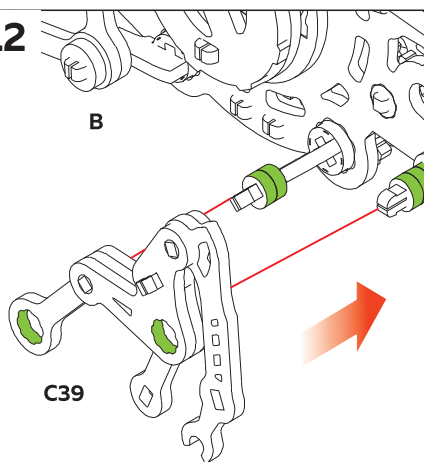


129 L2

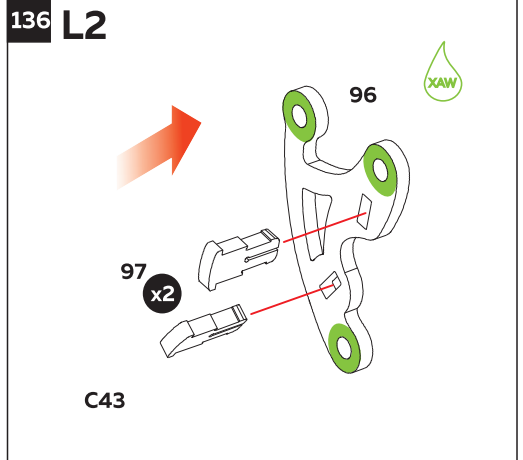
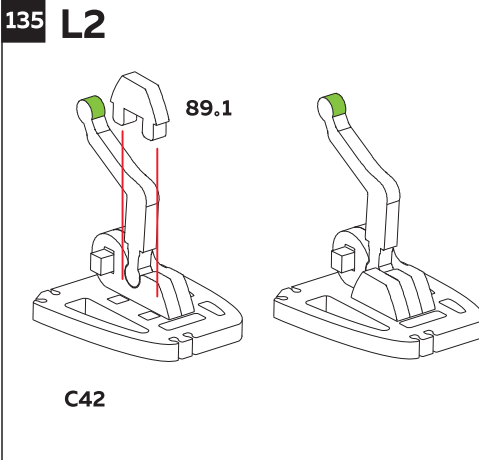
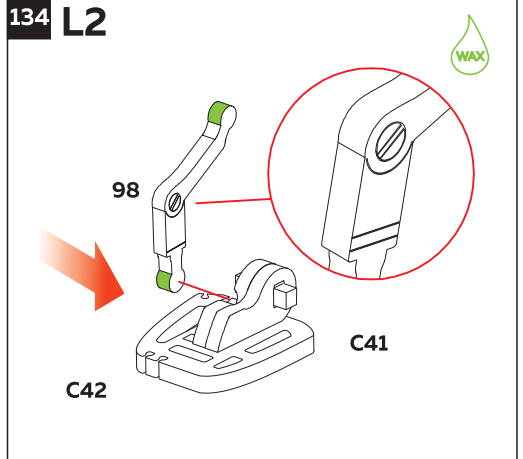
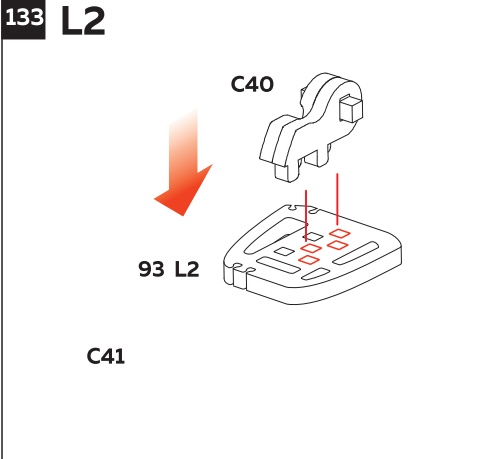
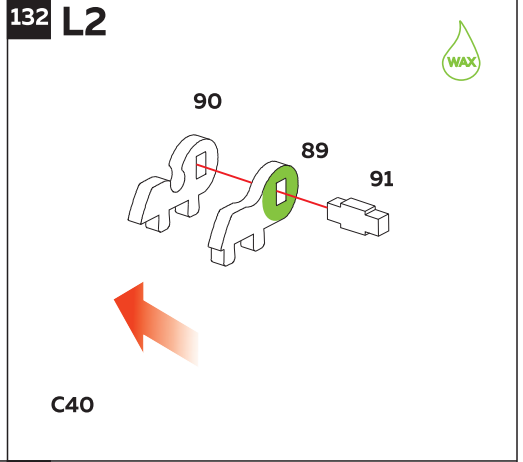
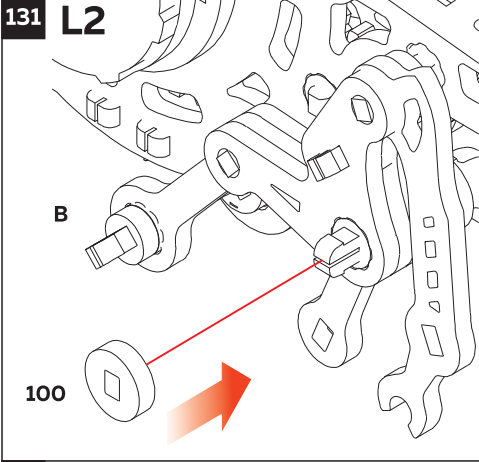


C39

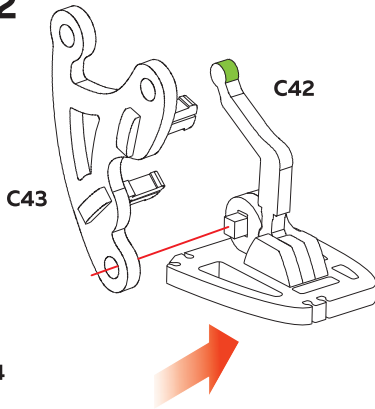
130 L2



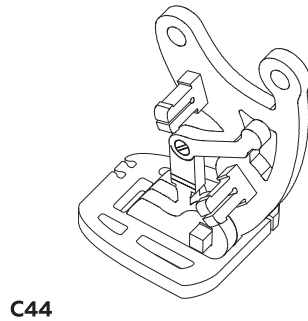
C39



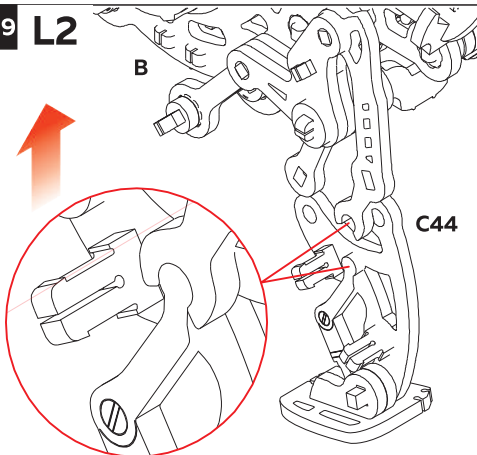
137 L2



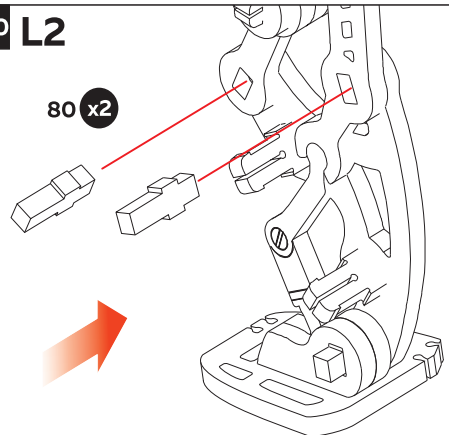
138 L2



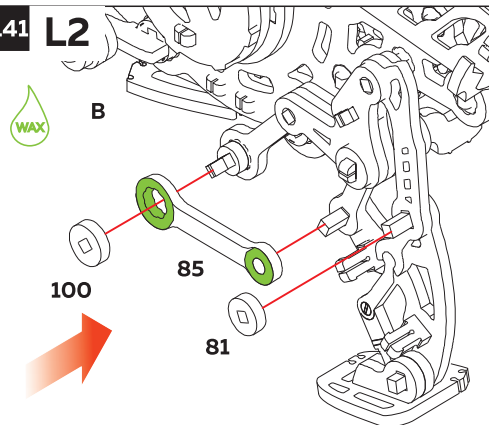
139 L2



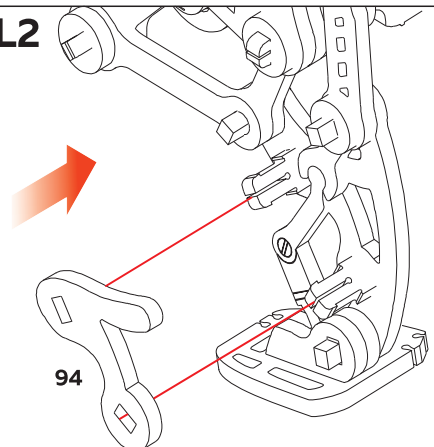
140 L2

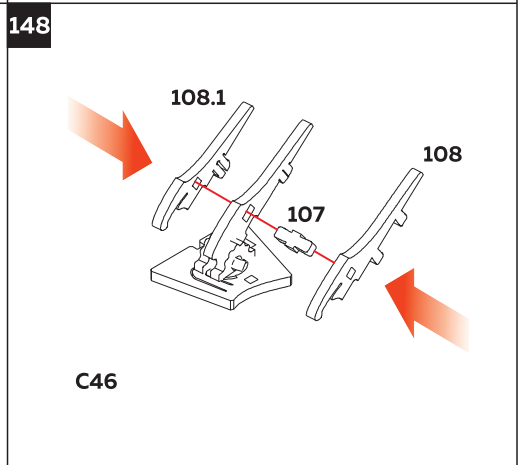
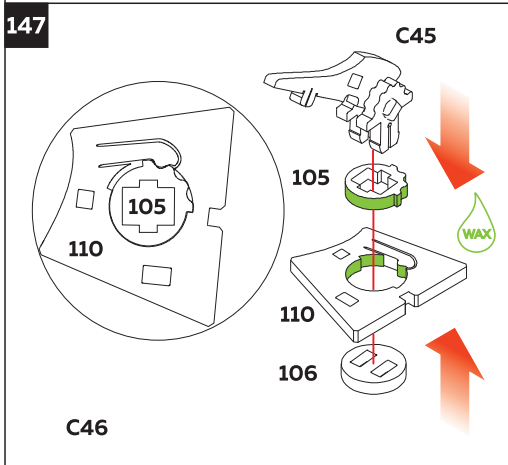
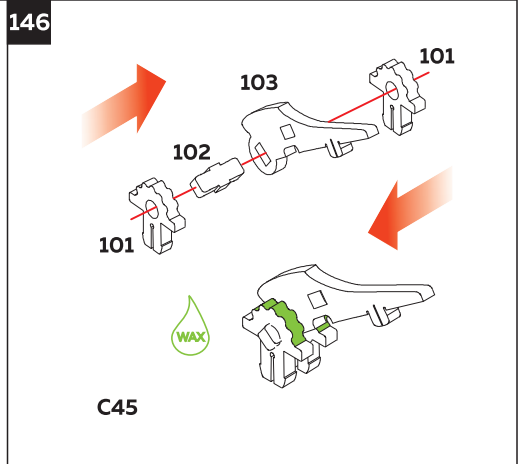
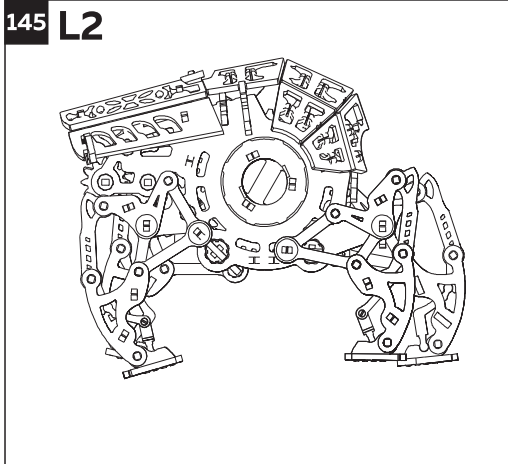
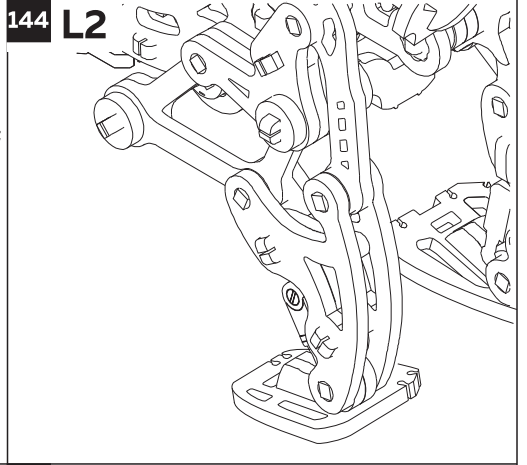
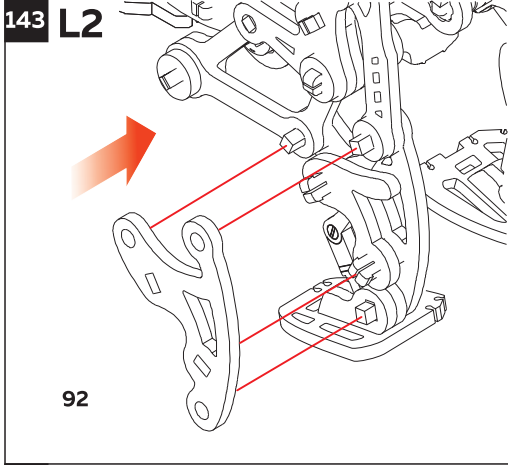


141 L2

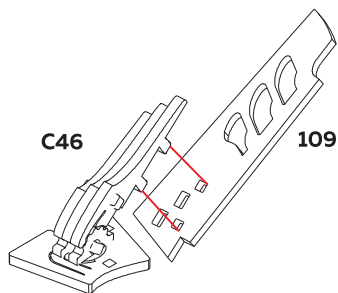


142 L2



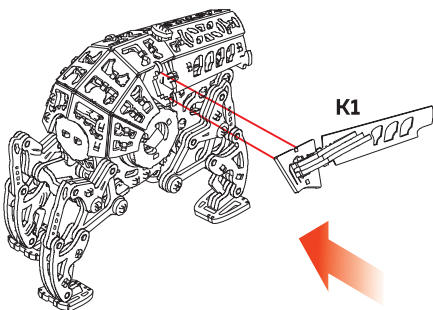


149

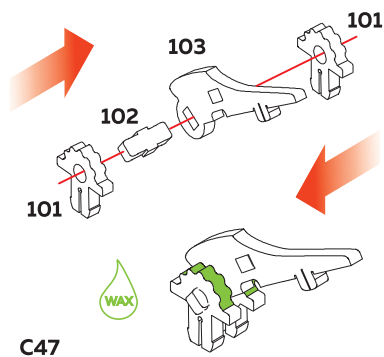


K1

150

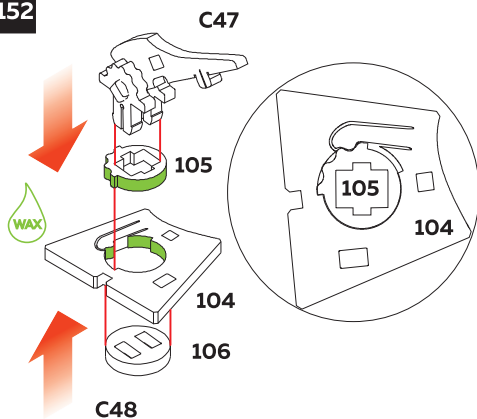


151



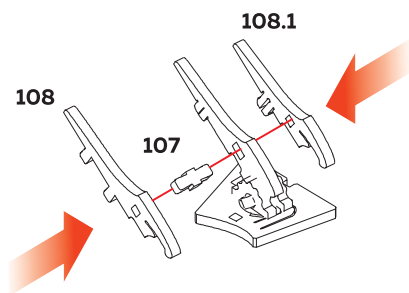
C47

152



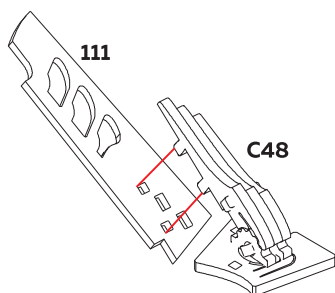
C48

153



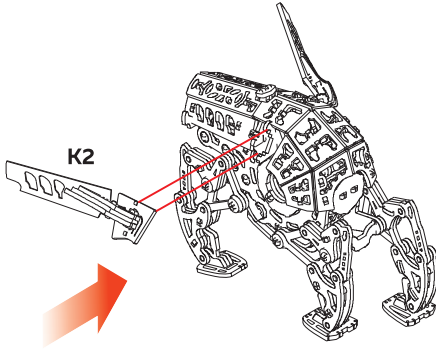
C48

154

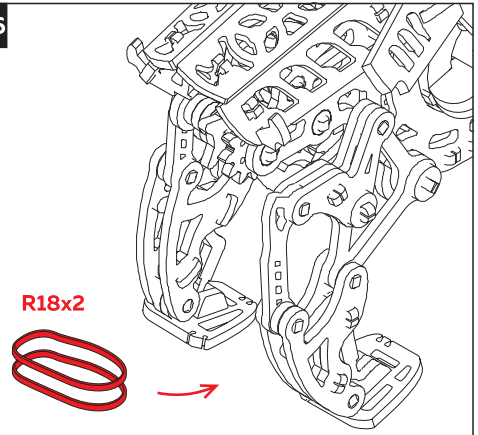


K2

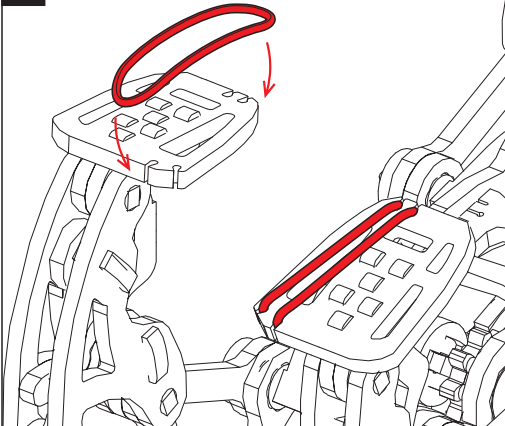
155



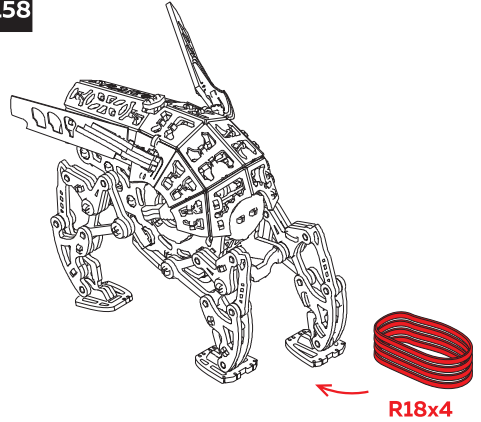
156



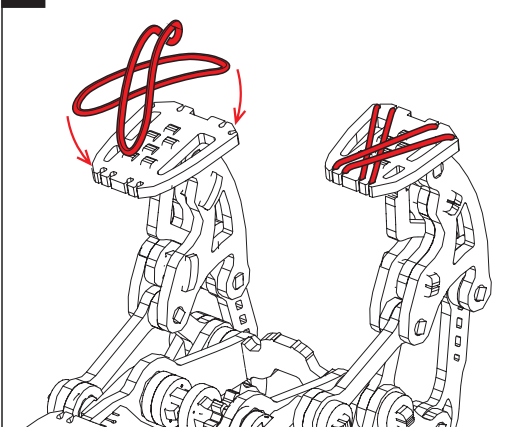
157



158



159



160

