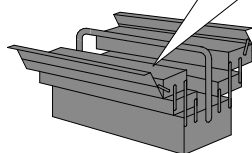
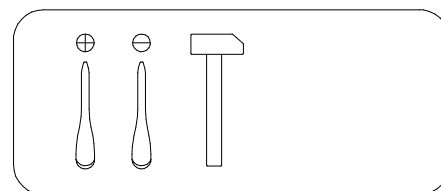
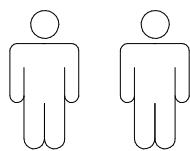
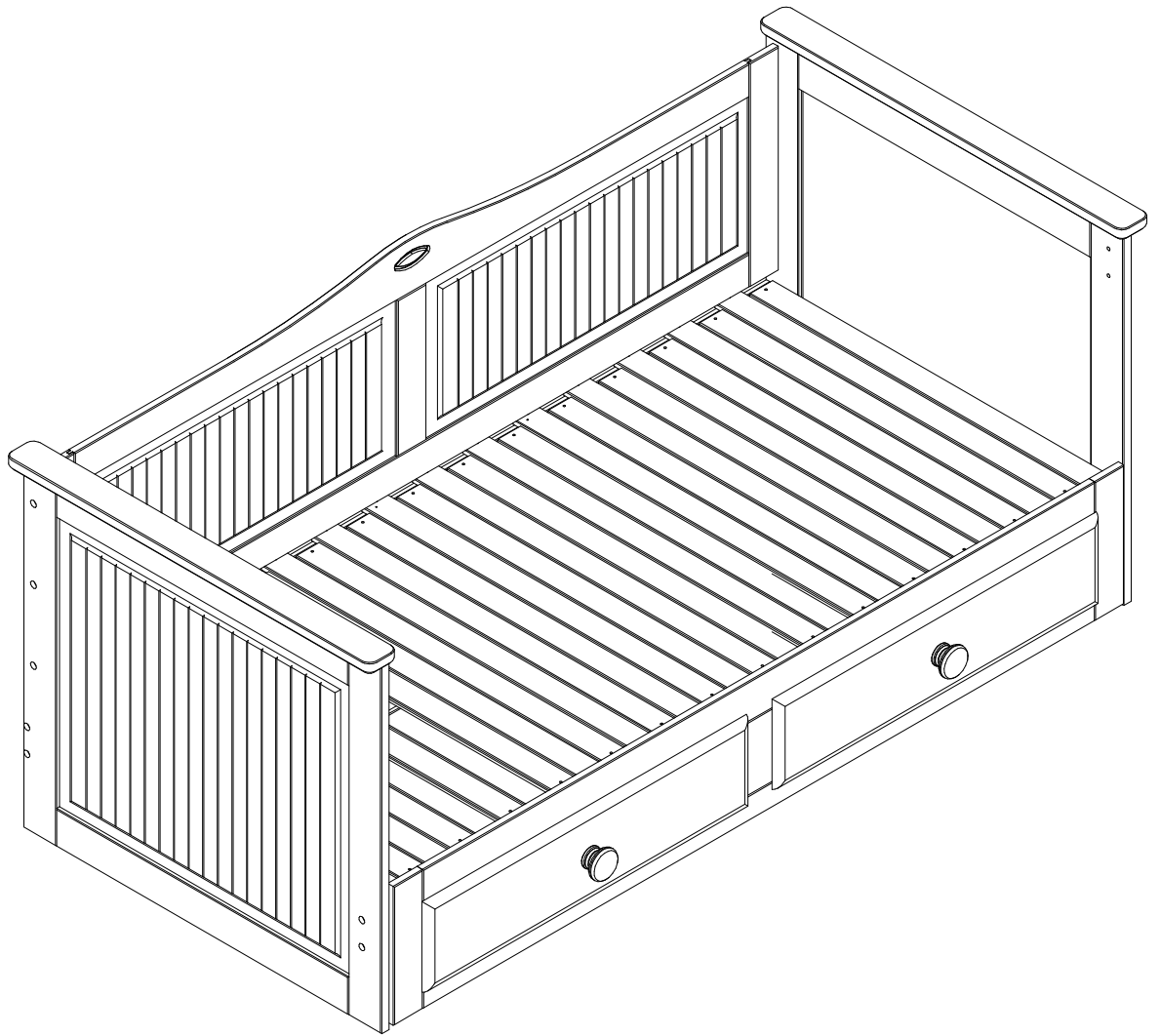


Art. Nr. 62532758, 10761326

LKZ 40605

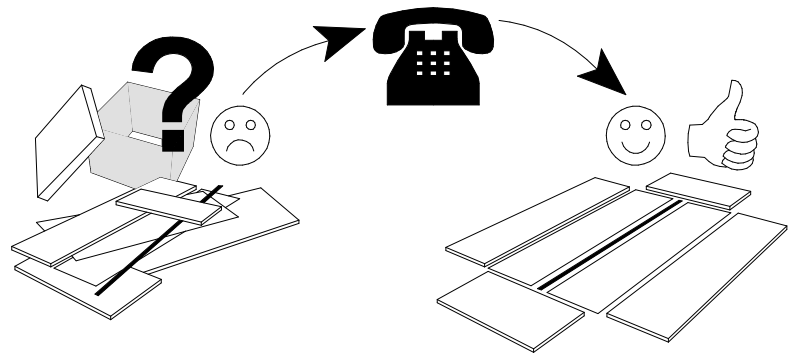
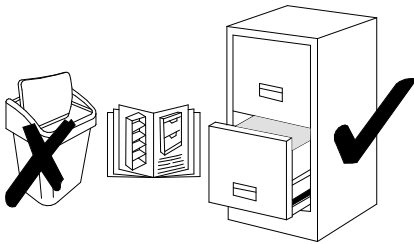


Service · Dienstverlening · Serwis · Servis · Сервисная служба

Name · Naam · Nazwa · Isim · Название

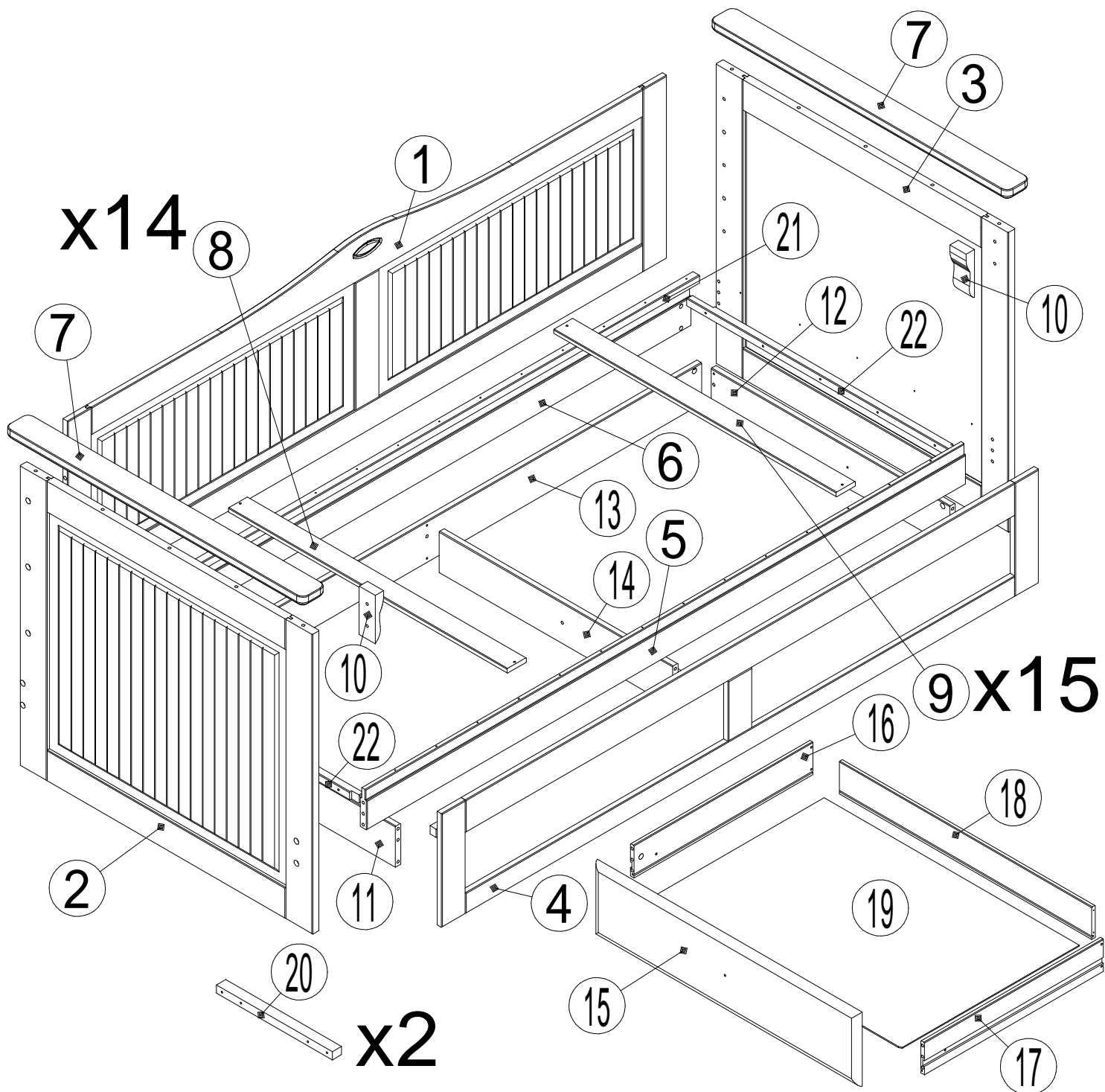
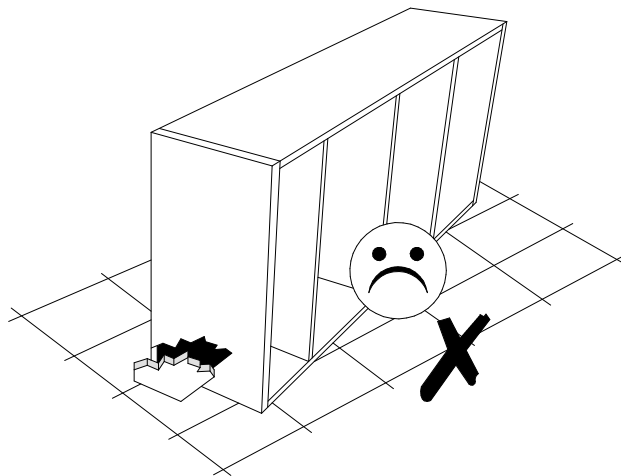
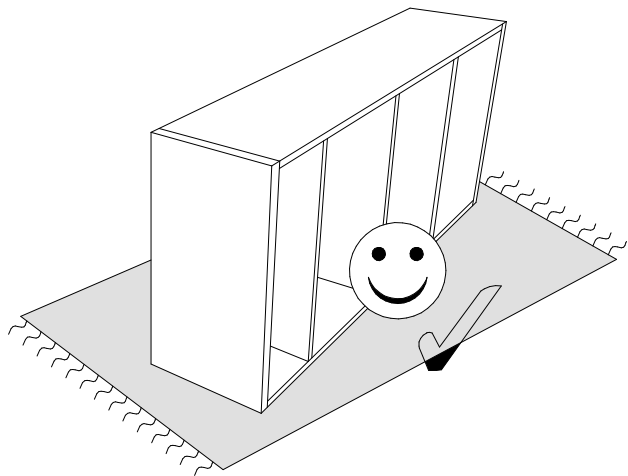
Nr. · No. · Номер

Typ · Type · Tip · Тип

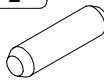


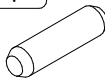
A 1	8x30	x22	A 2	8x50	x12	A 3	10x50	x4	B 1	15x9.5	x16	C 1	7x24	x16
D 30	3.5x15	x12	D 47	3.5x35	x78	D 91	4.0x45	x4	G 100		x4	L 40		x4
P 4	5.8x11	x8	P 205	M6x60	x14	P 72	M4x10	x4	R 5	M6x10	x14	V 85		x2
Y 6		x1	T 18	40x43	x6	S 54		x14	J 48	SW4	x1			

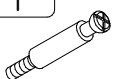
N	Size/MaB (mm)	Qty	✓	N	Size/MaB (mm)	Qty	✓
1	2008x579	1		12	800x119	1	
2	979x870	1		13	1840x119	1	
3	979x870	1		14	782x119	1	
4	2000x330	1		15	888x215	2	
5	2008x115	1		16	600x94	2	
6	2008x115	1		17	600x94	3	
7	1000x80	2		18	846x94	2	
8	933x65	14		19	597x855	2	
9	946x65	15		20	388x31	2	
10	54x140	2		21	2000x24	1	
11	800x119	1		22	894x24	2	

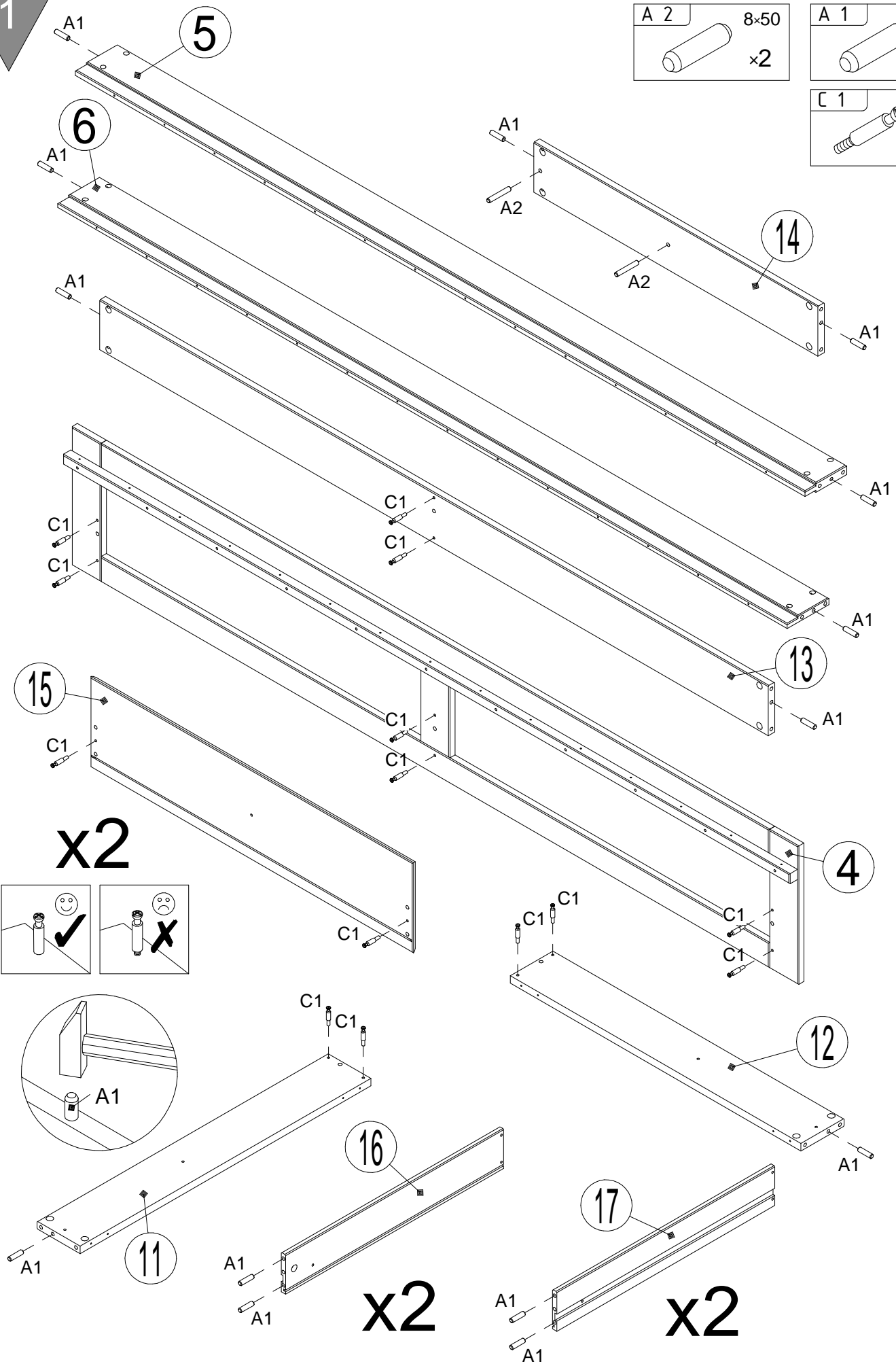


1

A 2	8x50
	x2

A 1	8x30
	x18

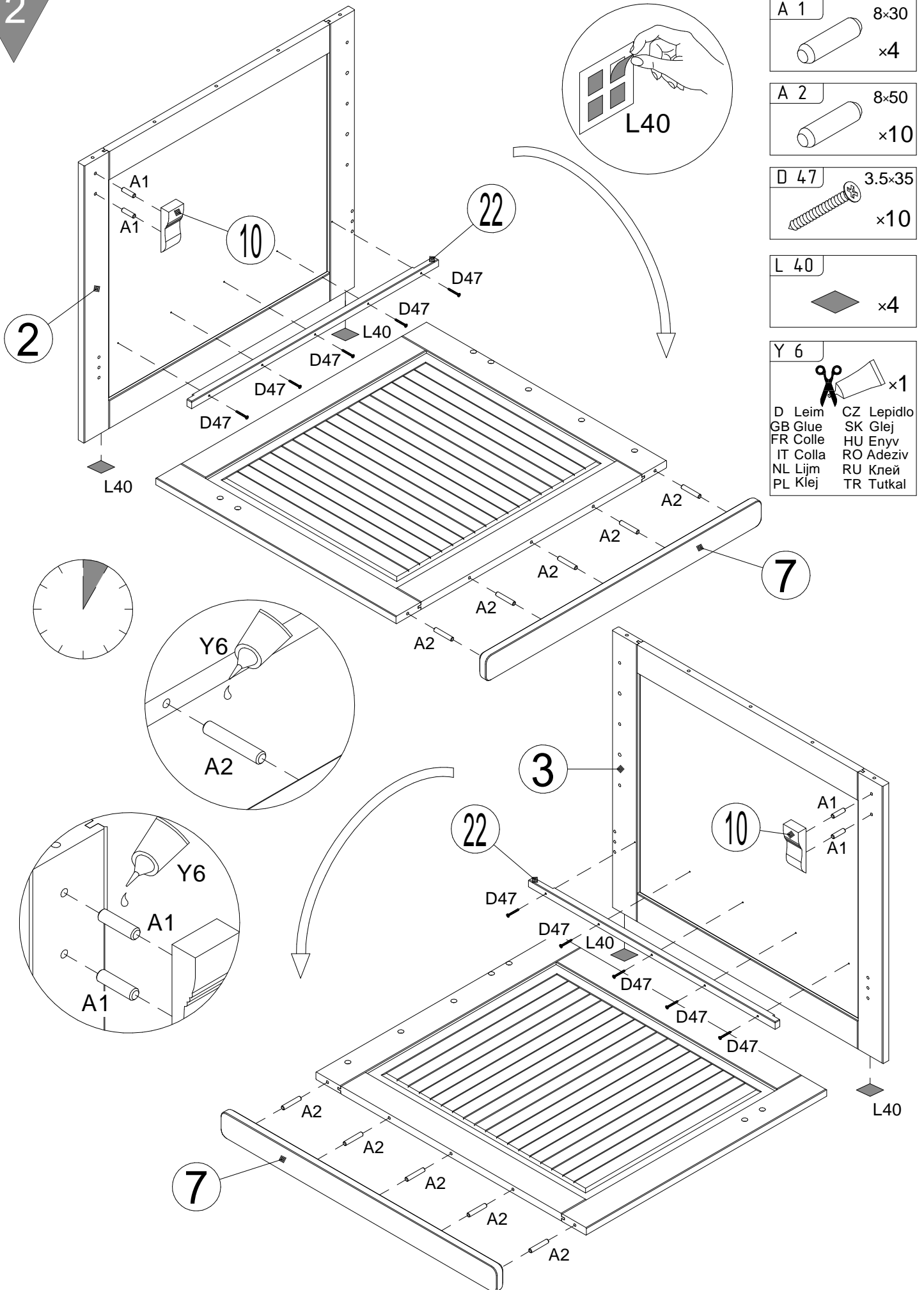
C 1	7x24
	x16



x2

x2

x2



A 1 8x30
x4

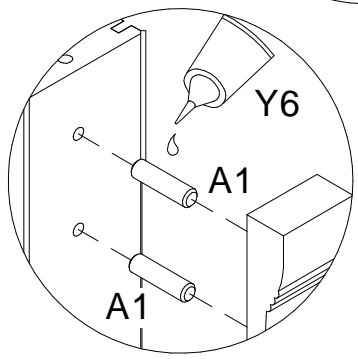
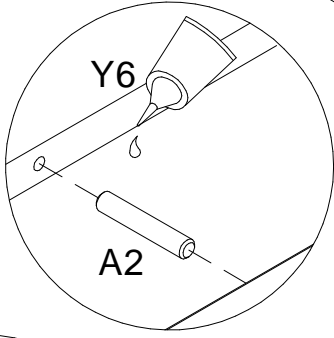
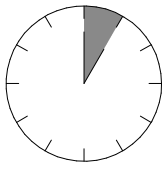
A 2 8x50
x10

D 47 3.5x35
x10

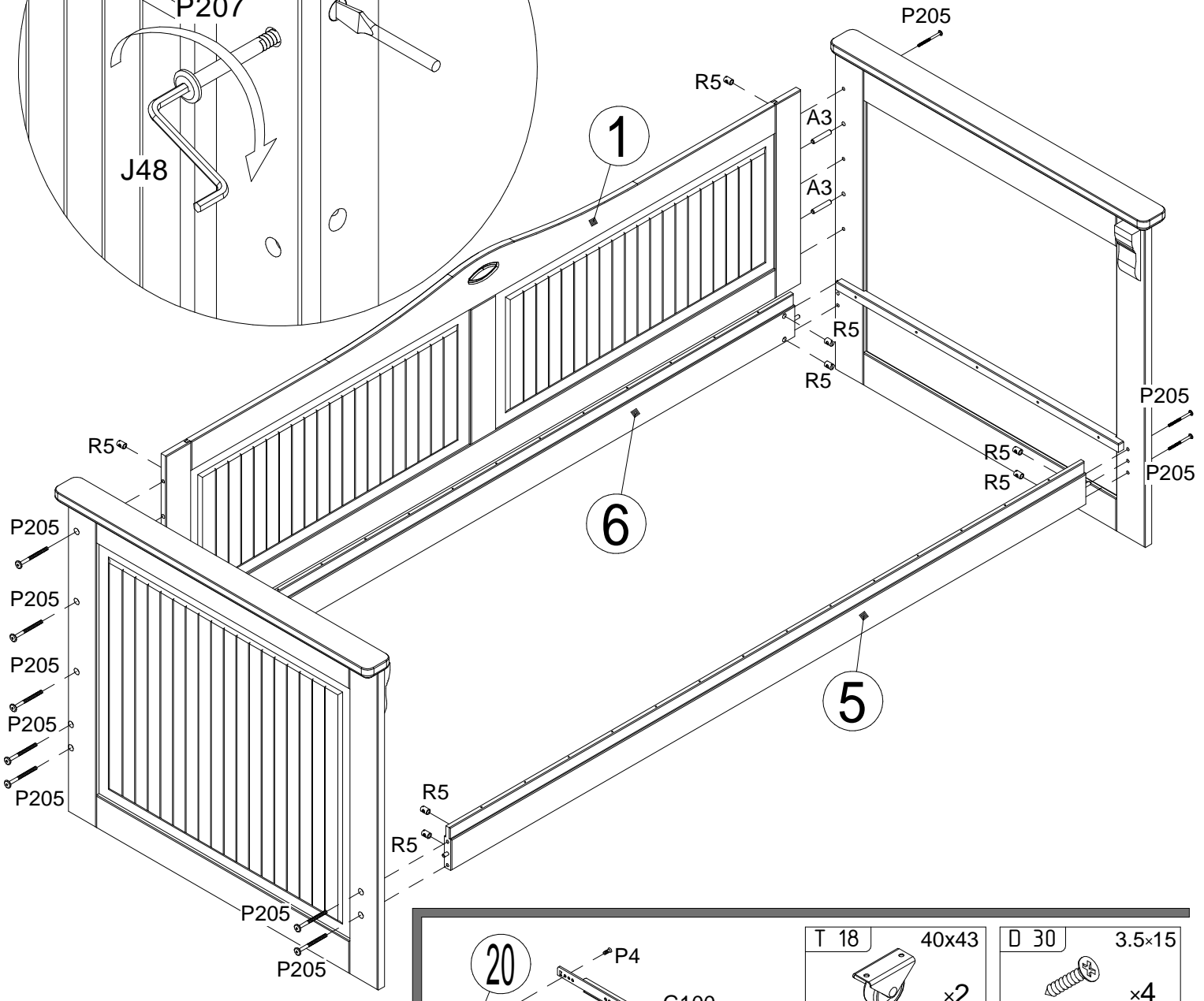
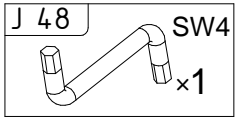
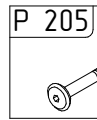
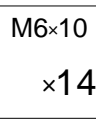
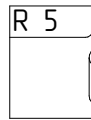
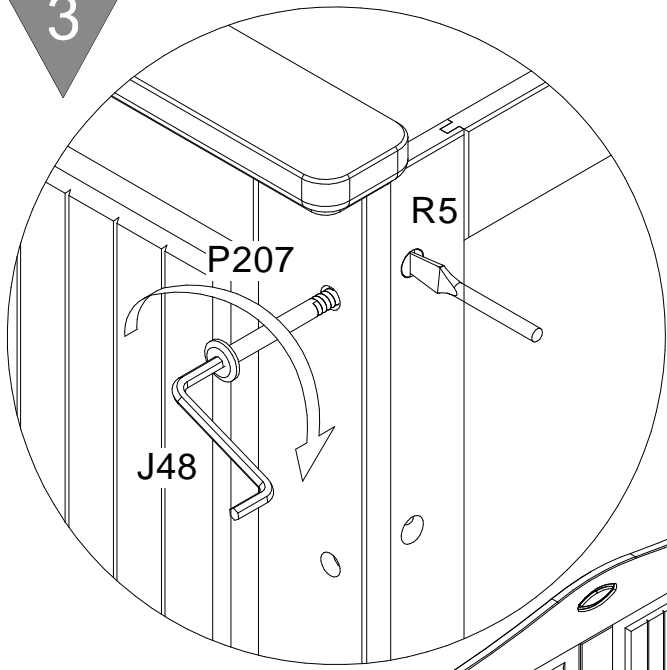
L 40
x4

Y 6
x1

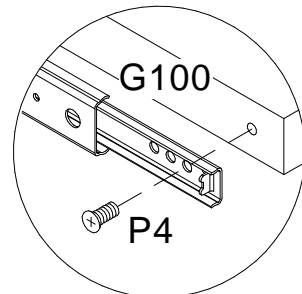
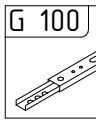
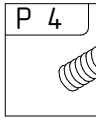
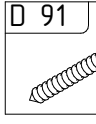
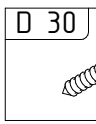
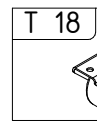
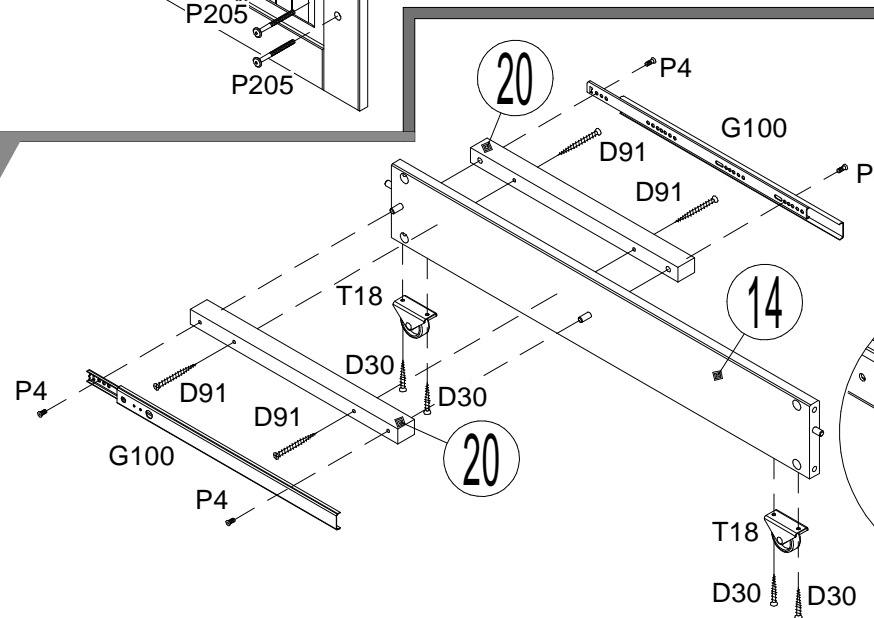
D Leim CZ Lepidlo
GB Glue SK Glej
FR Colle HU Enyv
IT Colla RO Adeziv
NL Lijm RU Клей
PL Klej TR Tutkal



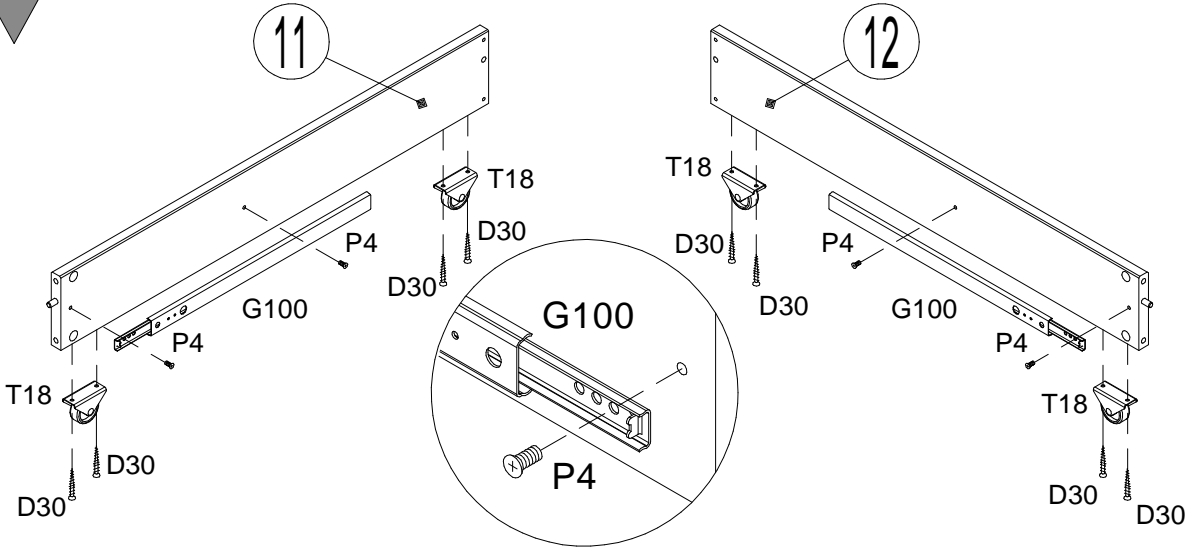
3


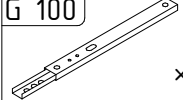
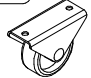



4

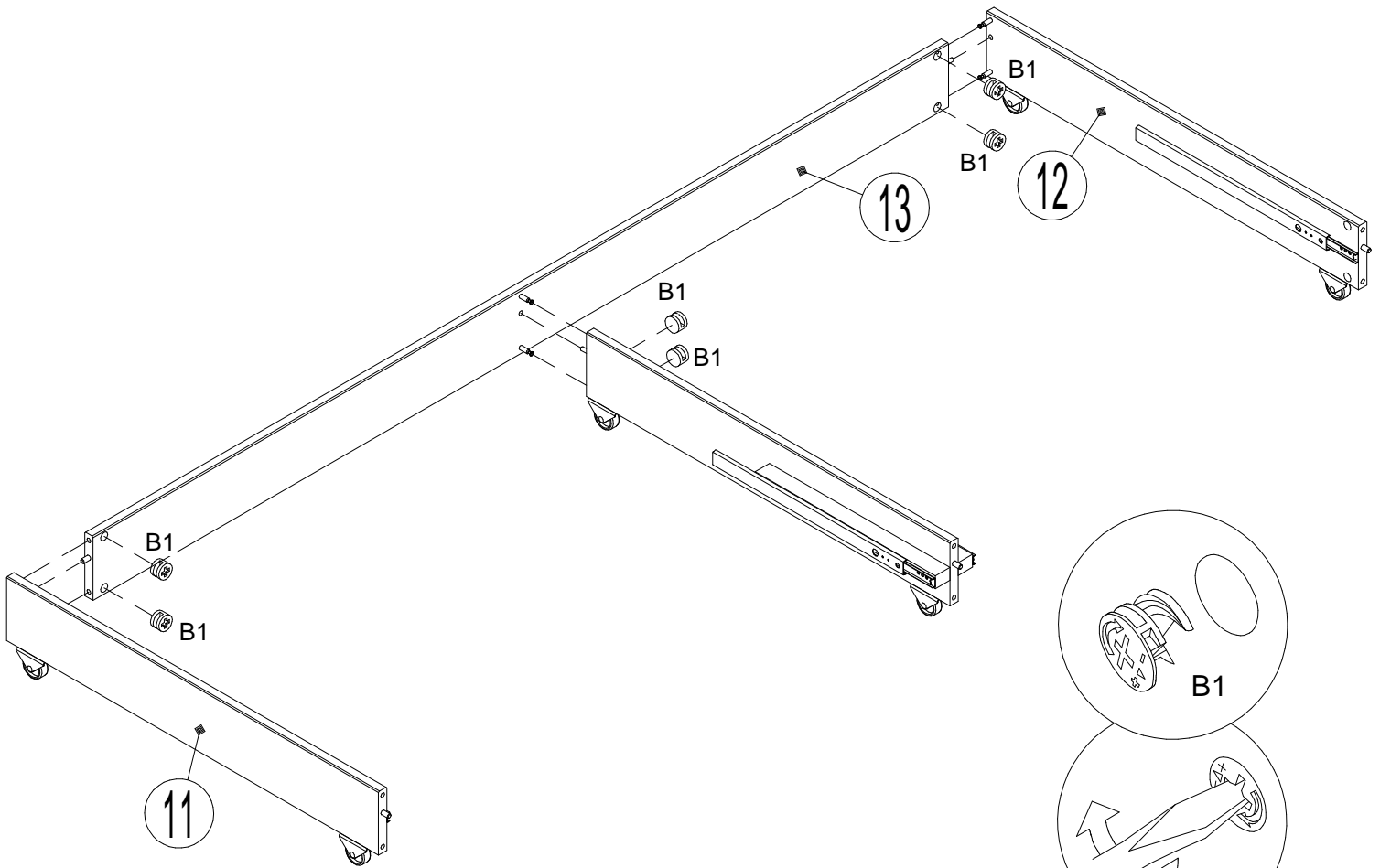



5



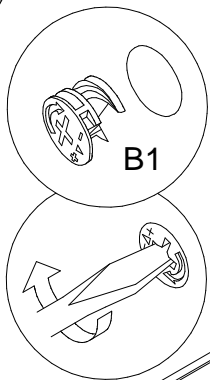
- | | |
|---|--------|
| P 4 | 5.8x11 |
|  | x4 |
| G 100 | |
|  | x2 |
| T 18 | 40x43 |
|  | x4 |
| D 30 | 3.5x15 |
|  | x8 |


6

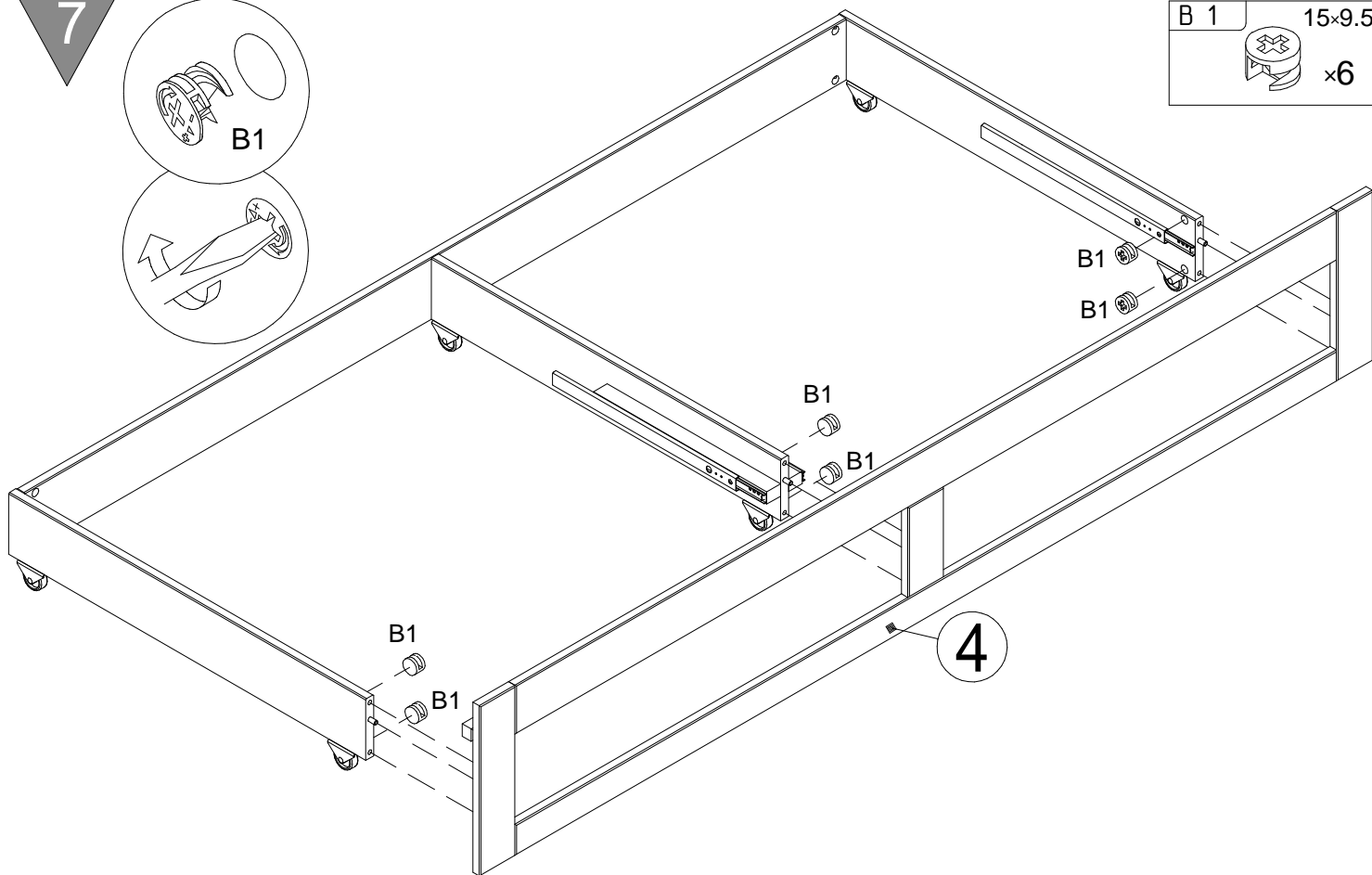


- | | |
|---|--------|
| B 1 | 15x9.5 |
|  | x6 |

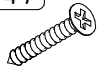
7

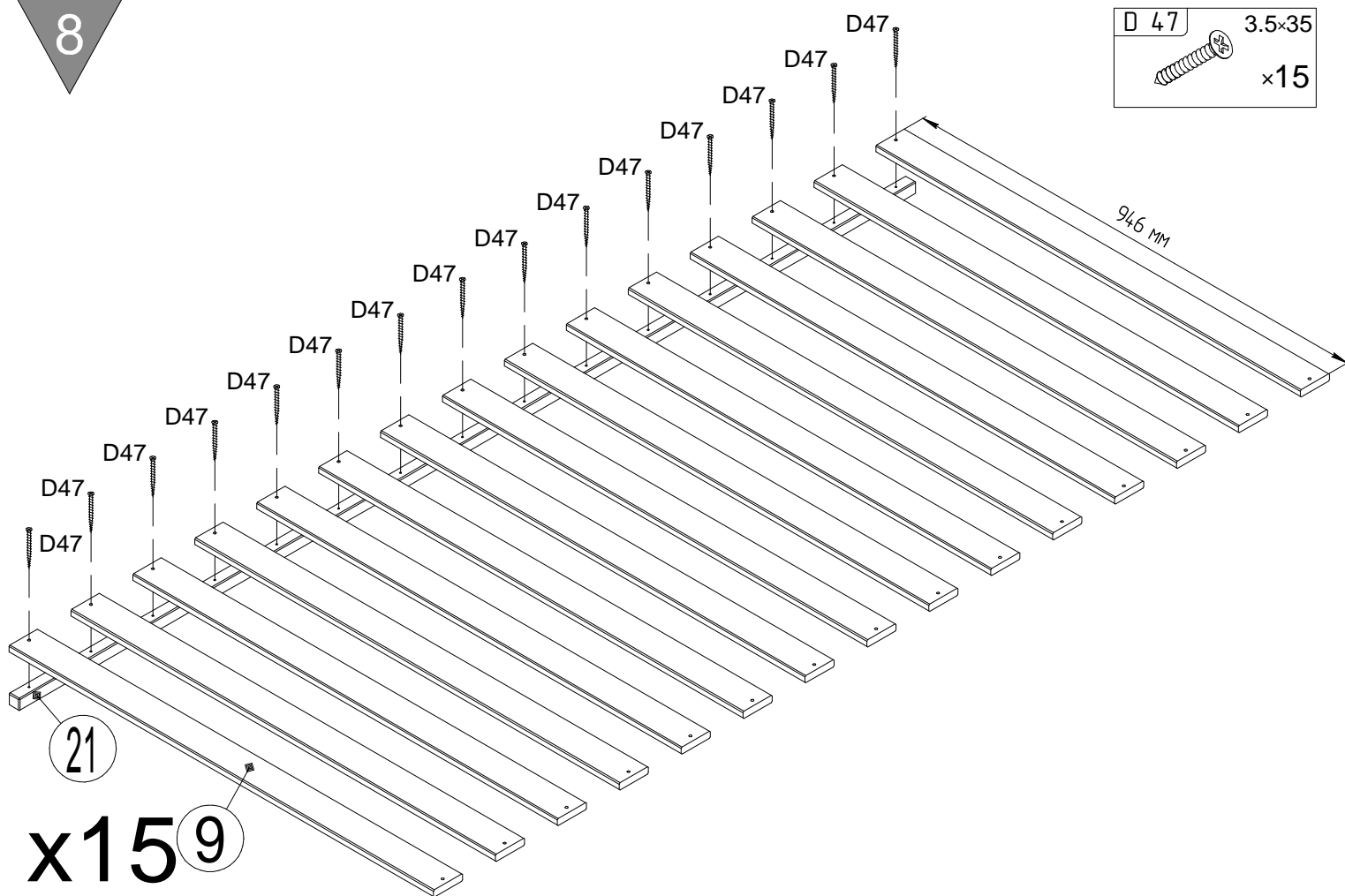


B 1	15x9.5
	x6



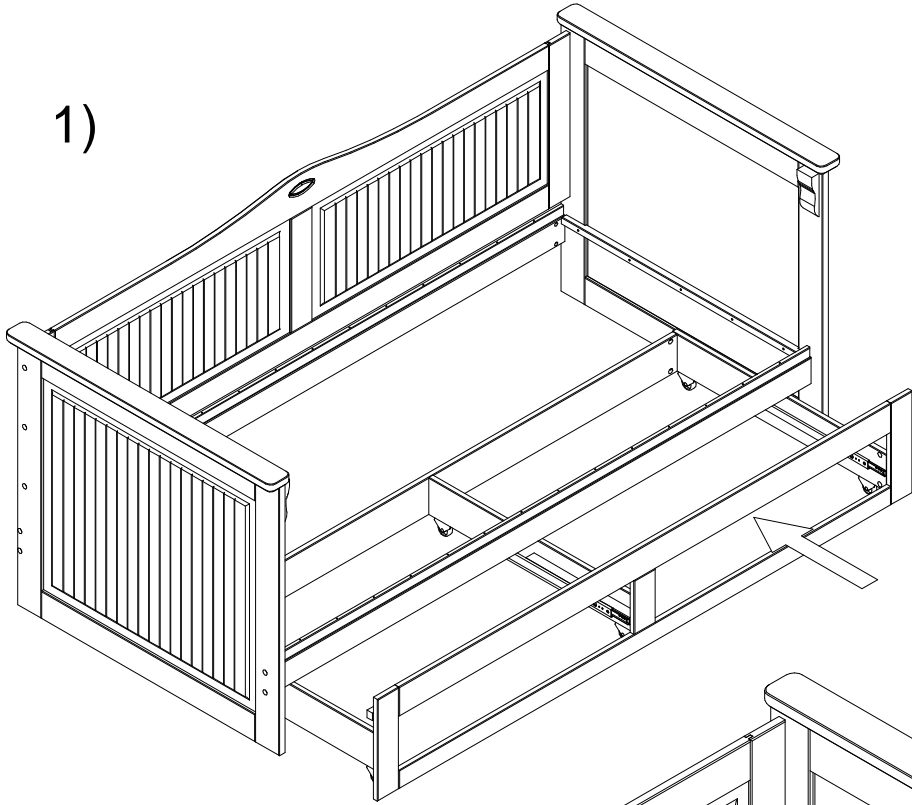
8

D 47	3.5x35
	x15

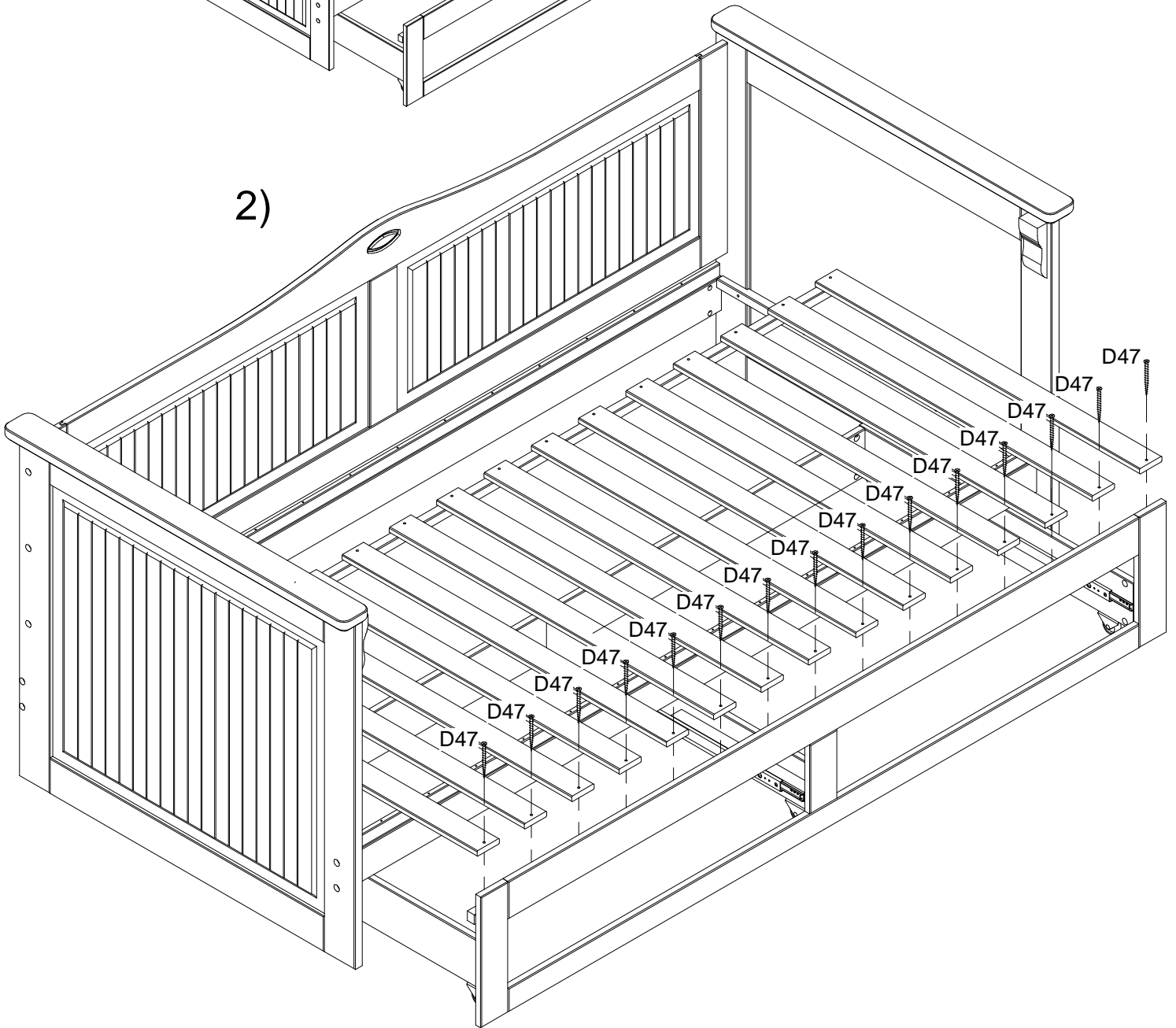


D 47 3.5x35
×15

1)

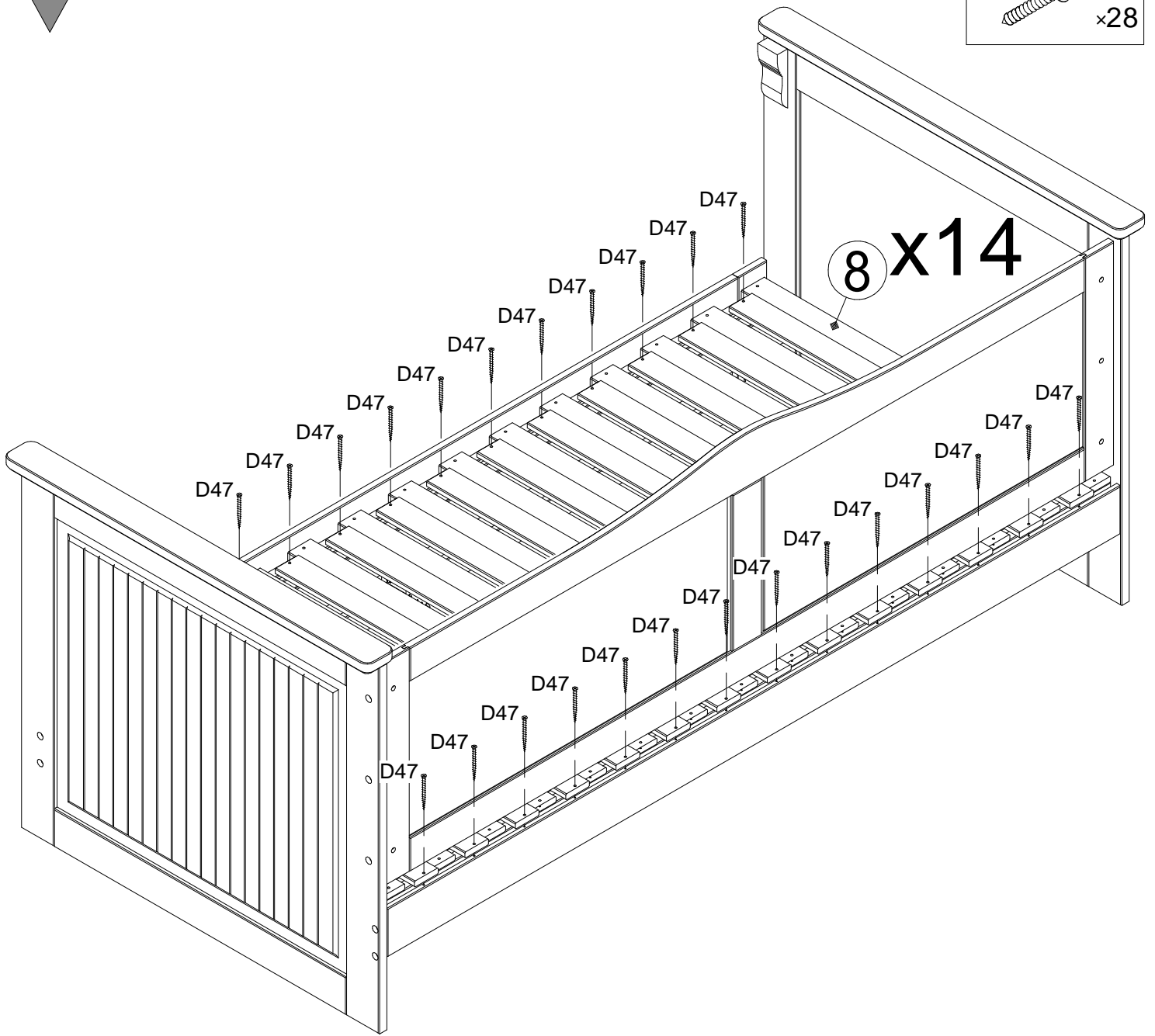


2)



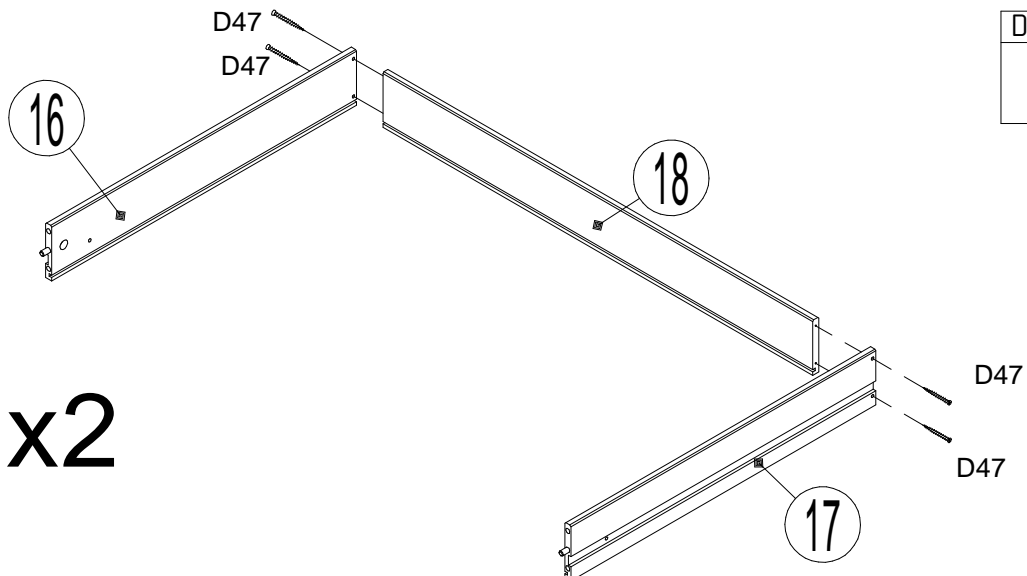
10

D 47 3.5x35
x28

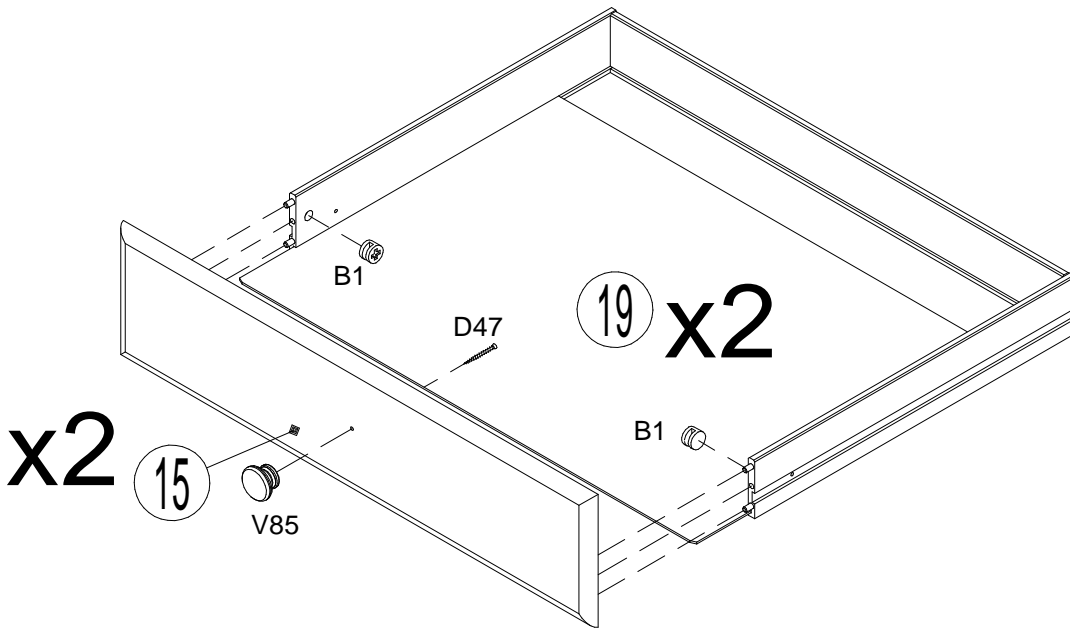


11

D 47 3.5x35
x8



12



B 1	15x9.5
	x4

V 85	
	x2

D 47	3.5x35
	x2

x2

15

V85

19

x2

B1

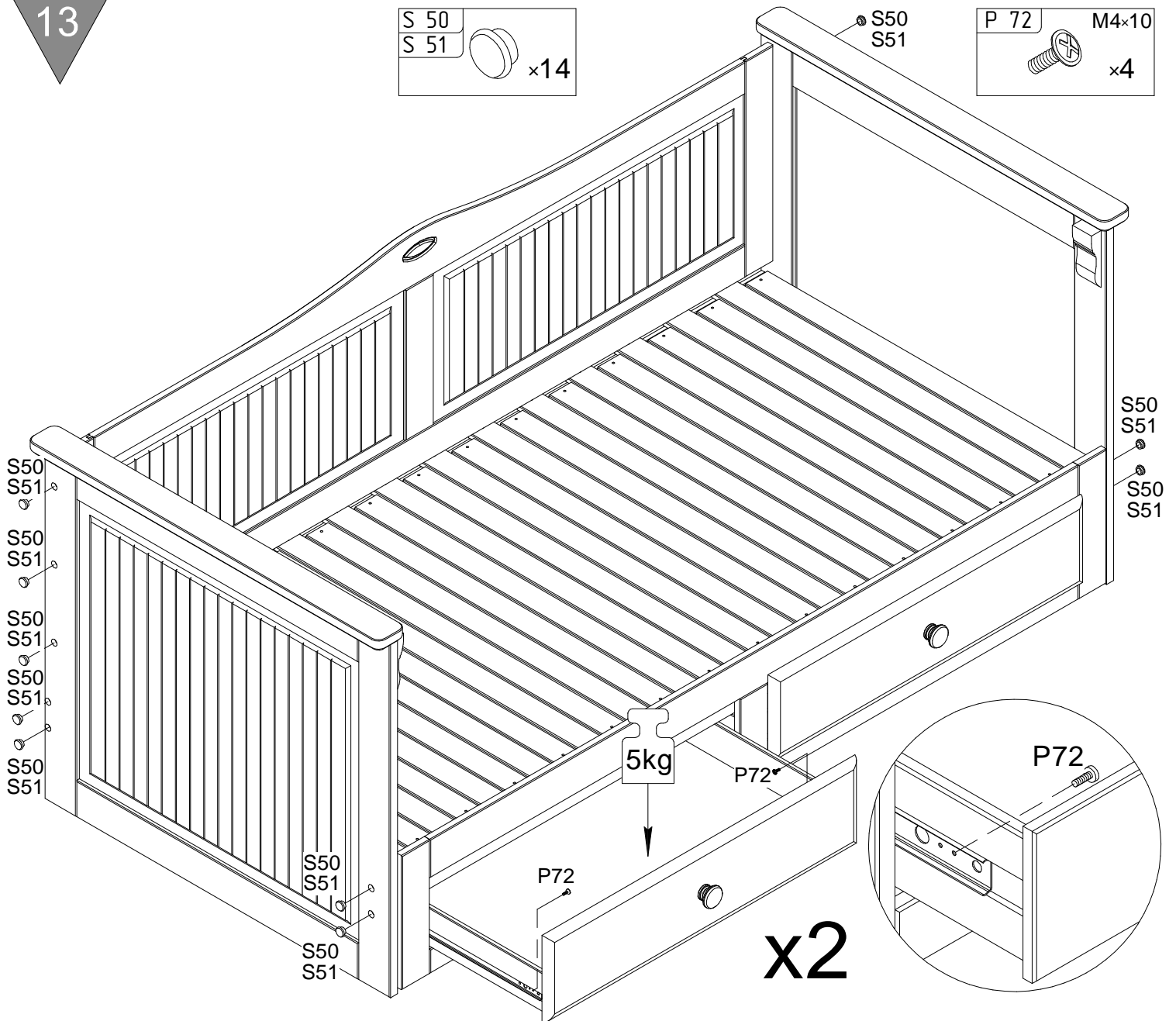
D47

B1

13

S 50	
S 51	
	x14

P 72	M4x10
	x4



S50
S51

S50
S51
S50
S51

S50
S51
S50
S51
S50
S51
S50
S51

S50
S51
S50
S51

5kg

P72

P72

x2

P72