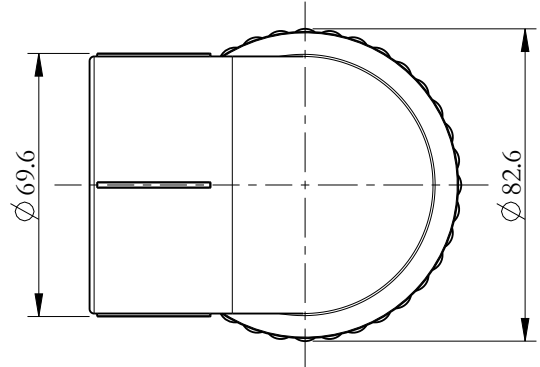
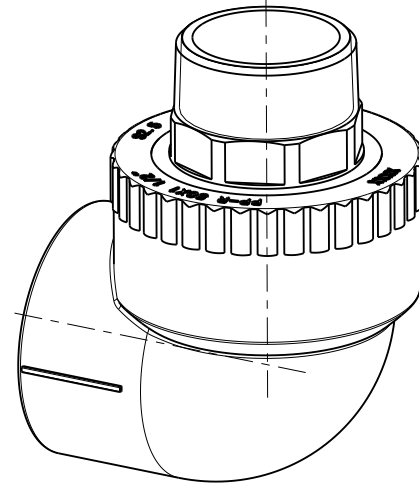
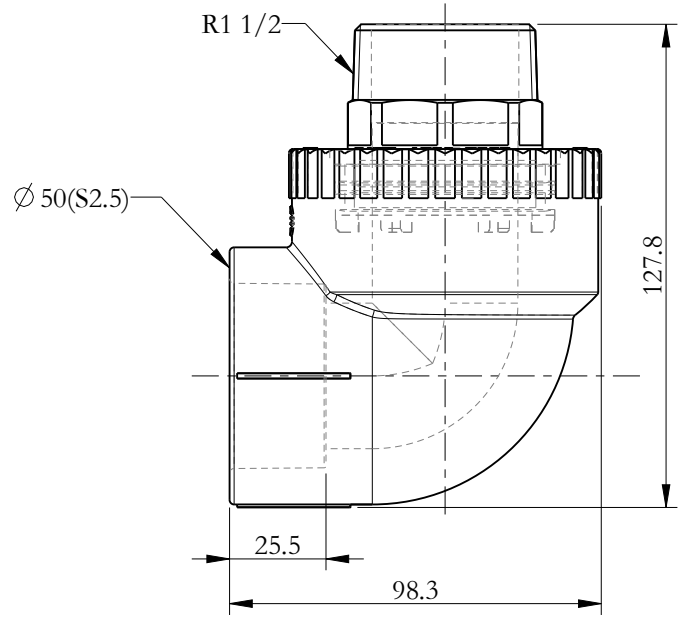


Revision No. A.1



						Material	PP-R				RIIFO
							Frame	Projection	Unit	NW(g)	
Mark	Qty	Change Record		AUTH	Date	A4		mm	565.1	1: 2	1100043489
★		Critical Dim.	Proofread by	Qiubanglong							
()		Reference Dim.	Checked by	Diaozhenbin							
		Drawn by	Weihaoning	Approved by	Linxiyong						
		Process designed by	Chenyongde	Date	2023.08.28	Sheet	1		Of	1	