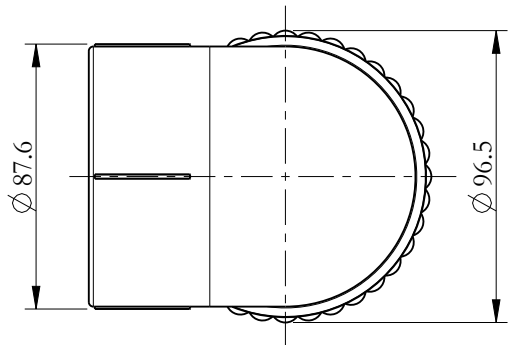
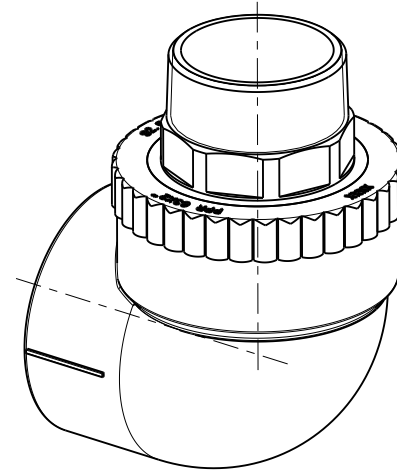
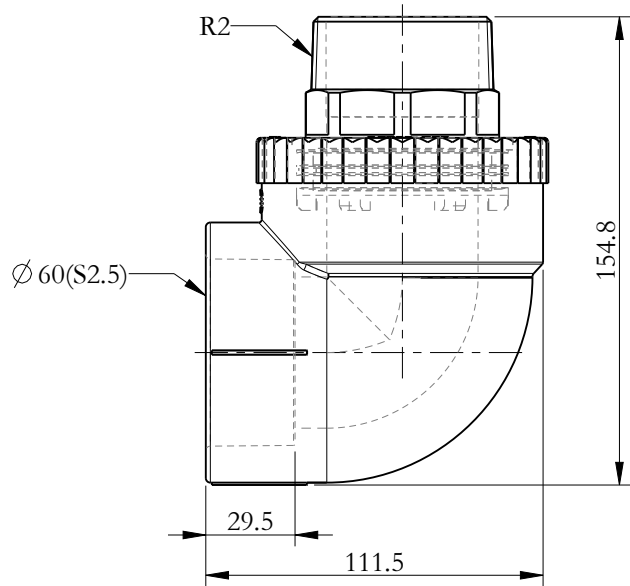


Revision No. A.1



						Material	PP-R			RIIFO	
Mark	Qty	Change Record		AUTH	Date		Frame	Projection	Unit		NW(g)
★		Critical Dim.	Proofread by	Qiubanglong		A4	⊕	mm	894.8	2: 5	
()		Reference Dim.	Checked by	Diaozhenbin							
Drawn by		Weihaoning	Approved by		Linxiyong	Sheet 1 of 1					
Process designed by		Chenyongde	Date		2023.08.28						
											elbow male PP-R/brass 90° 63-2
											1100043490