

x18



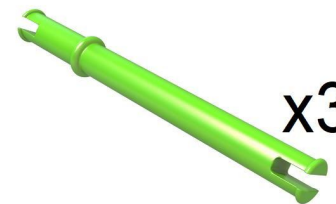
x22



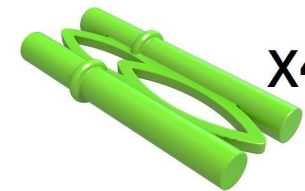
x4



x2



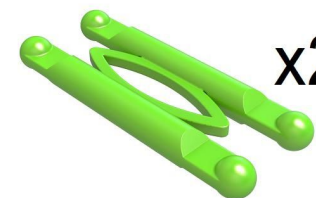
x3



x4

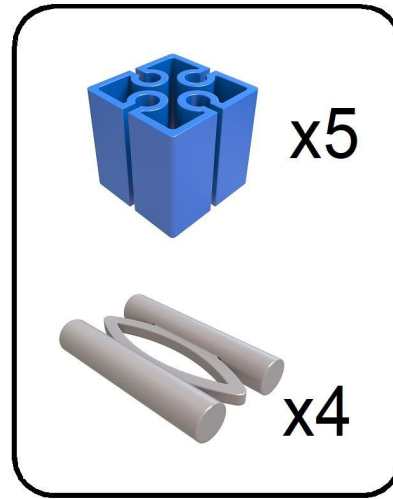
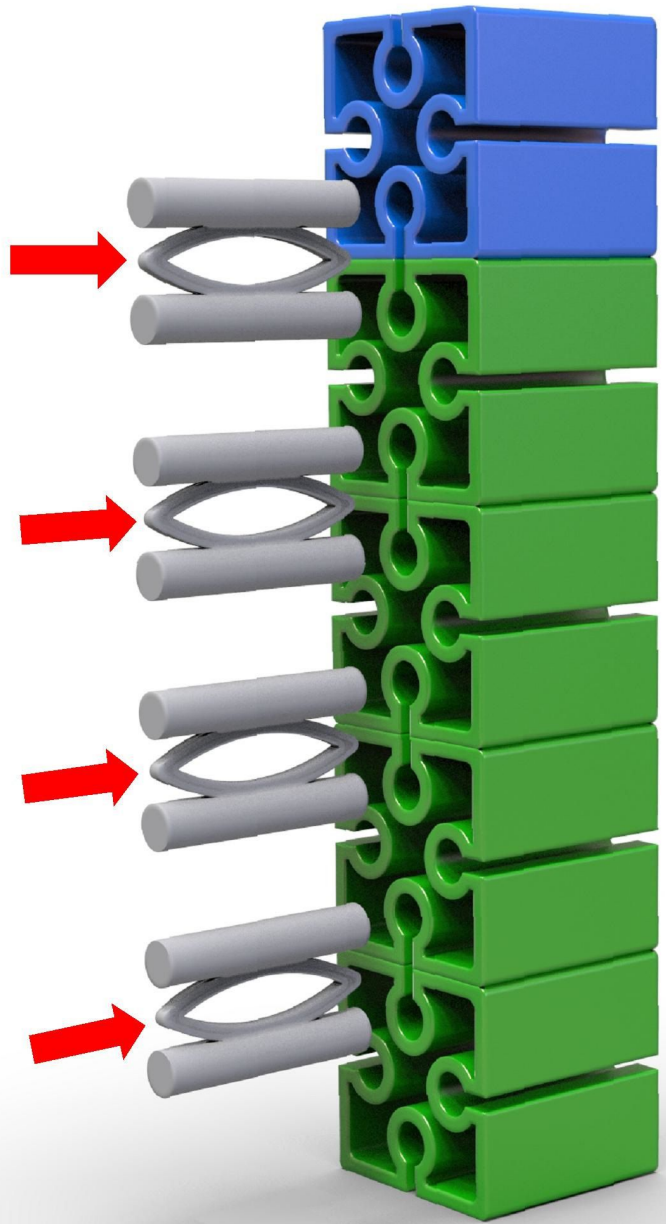


x25

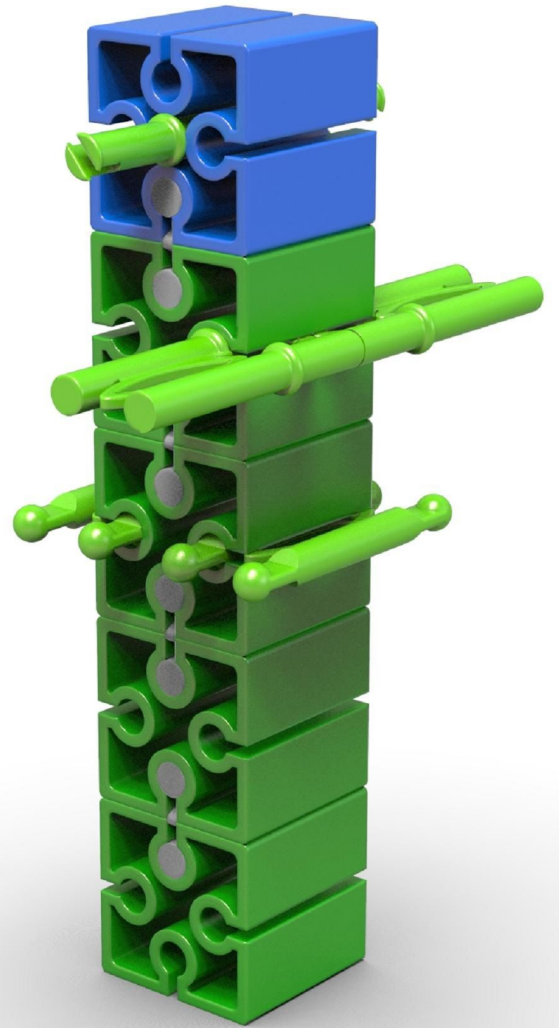
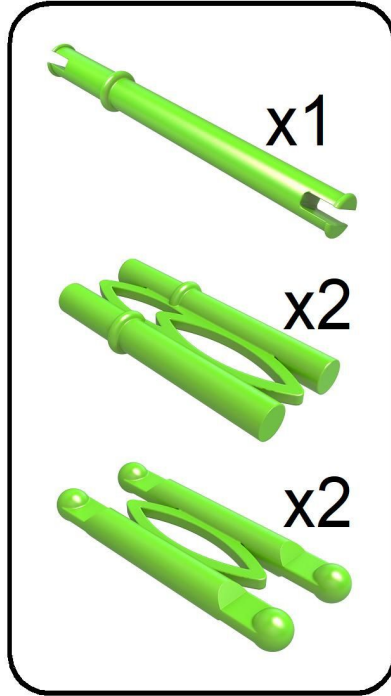
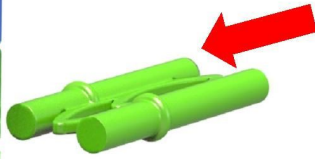
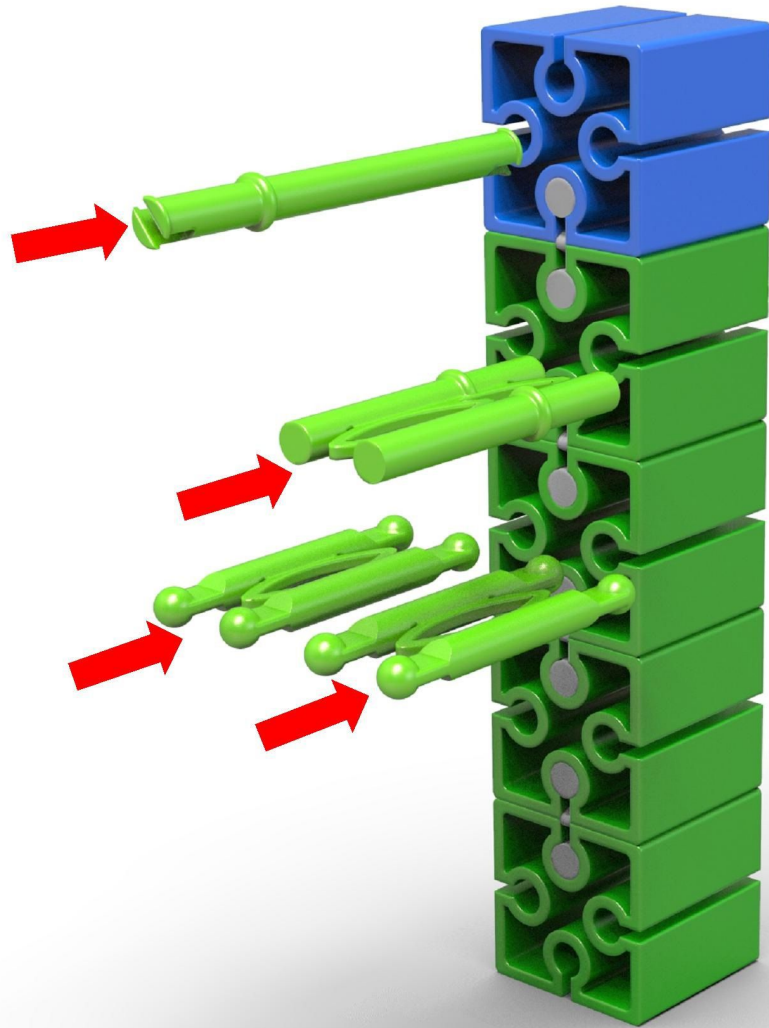


x2

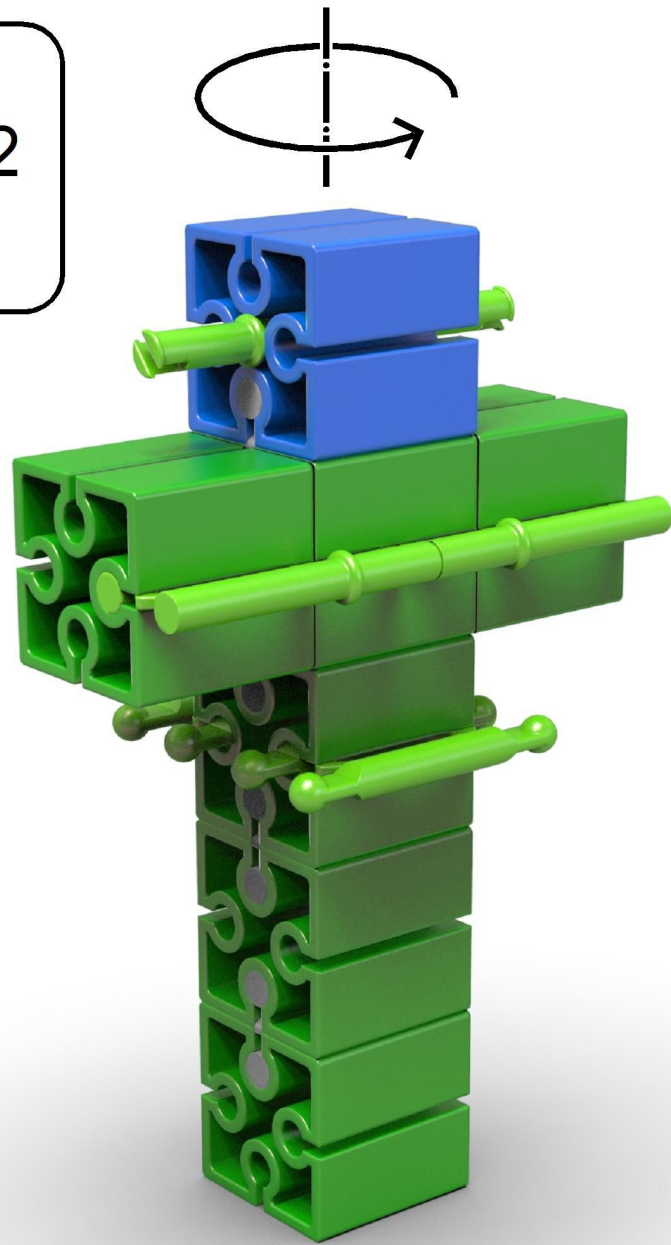
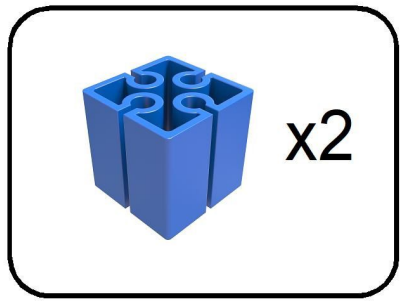
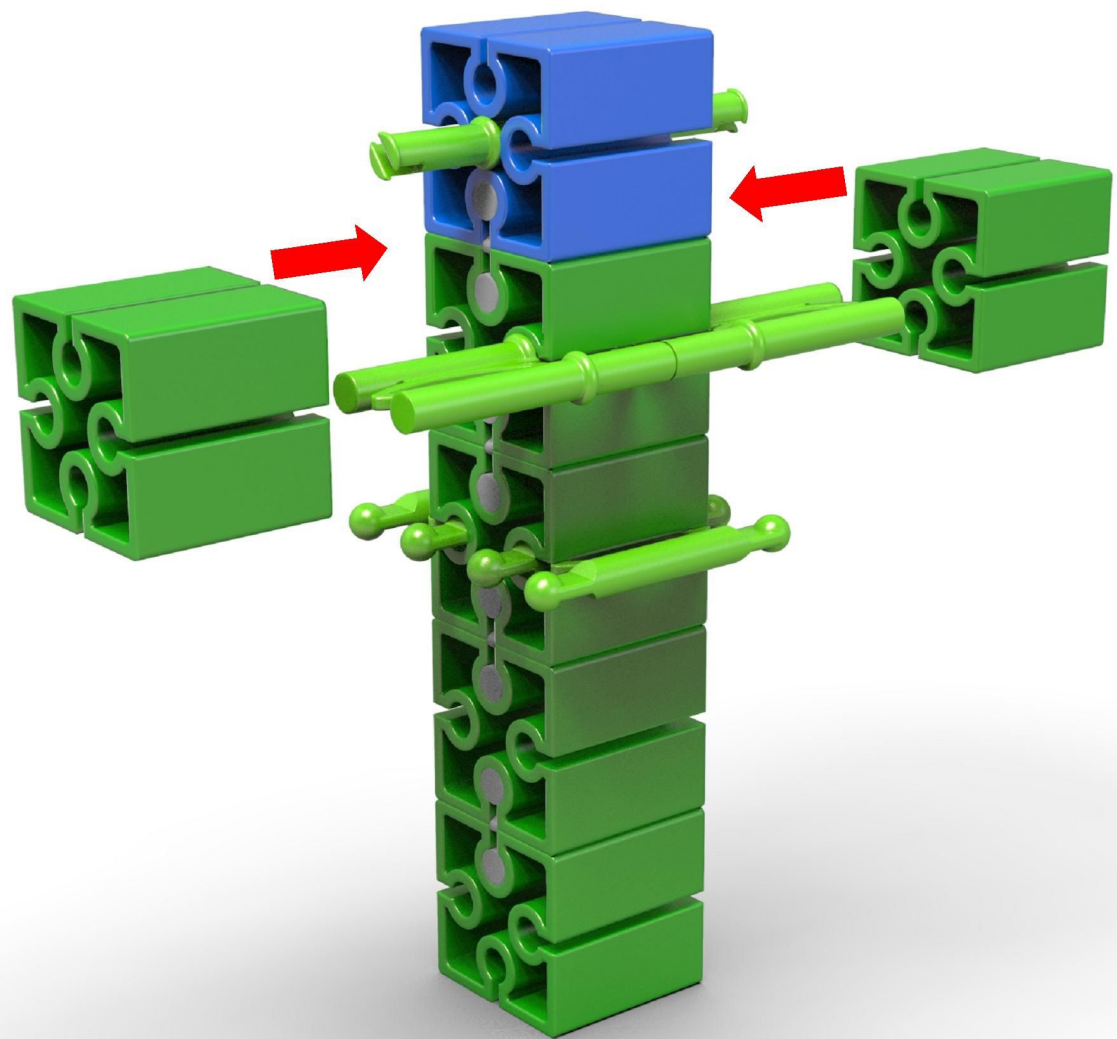
①



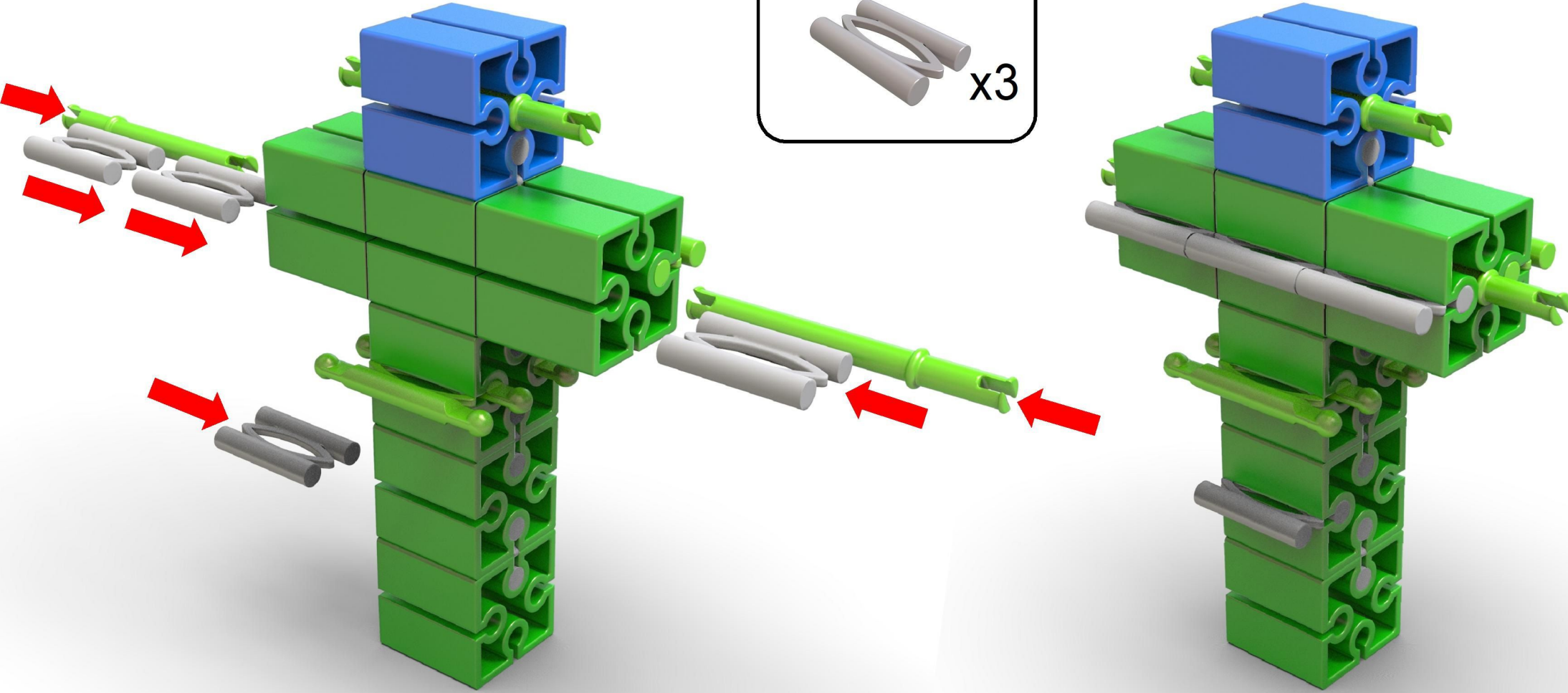
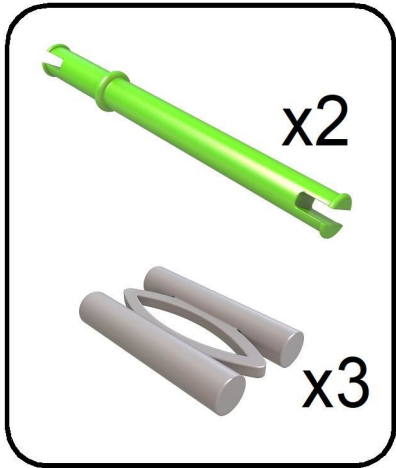
②



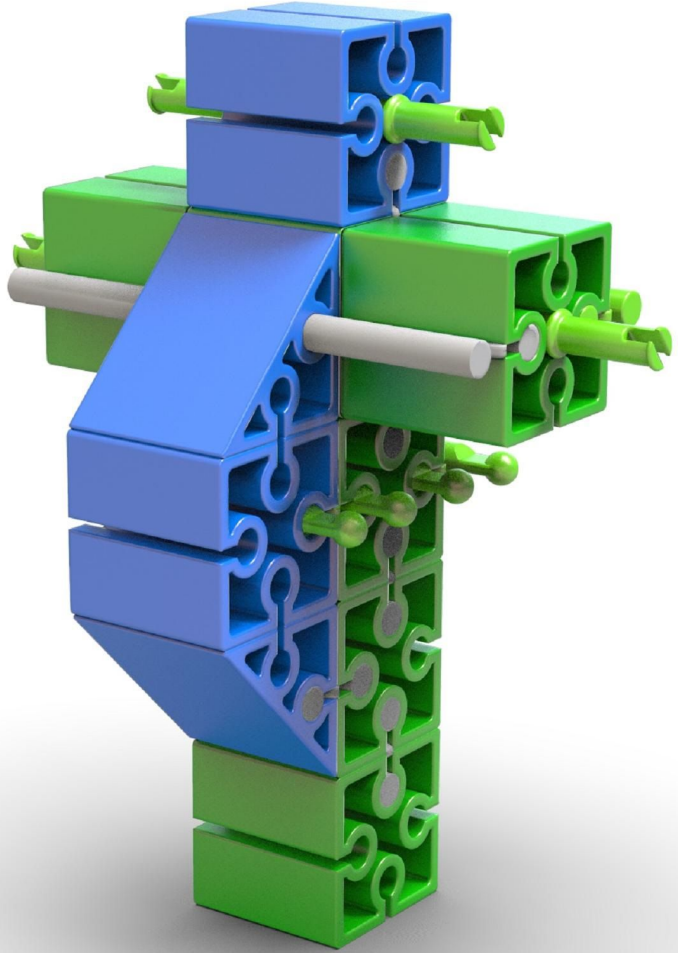
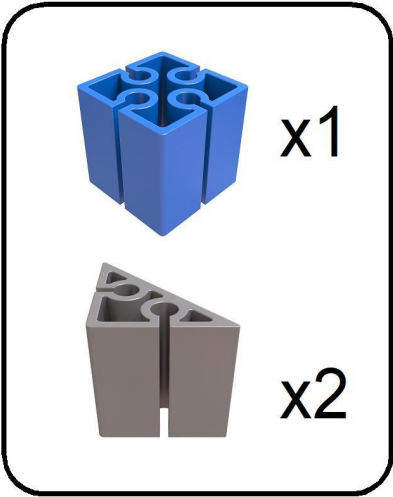
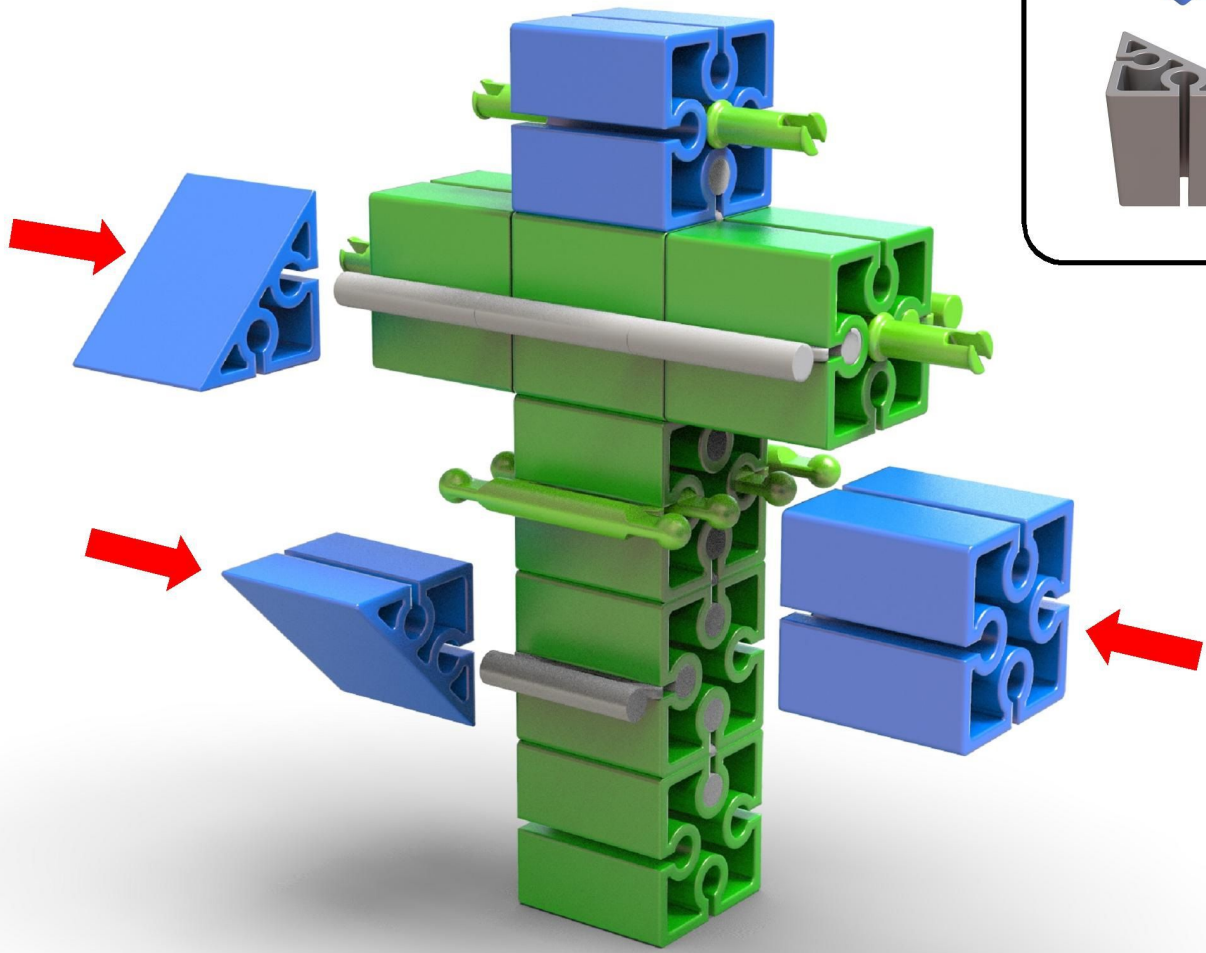
3



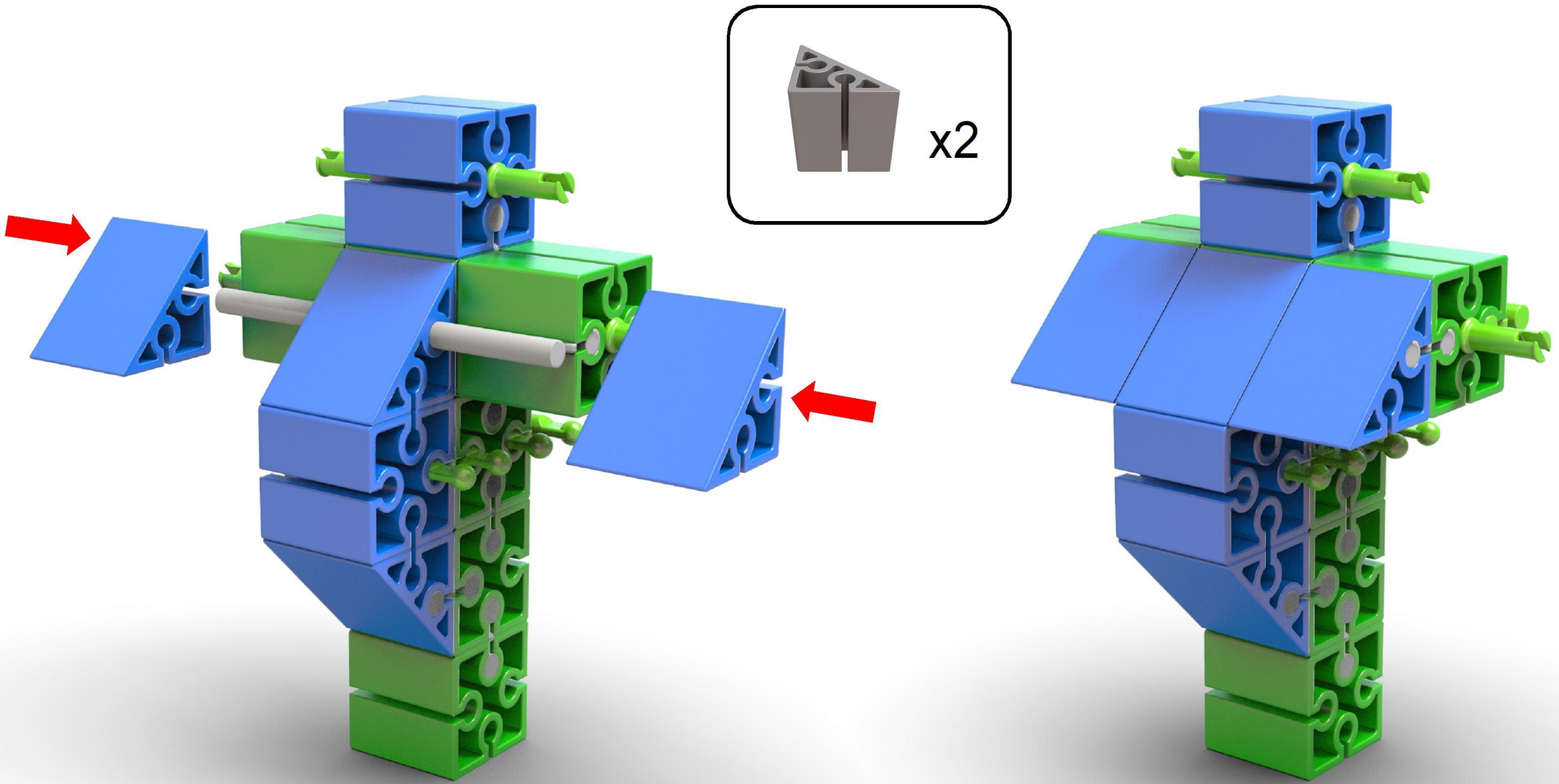
④



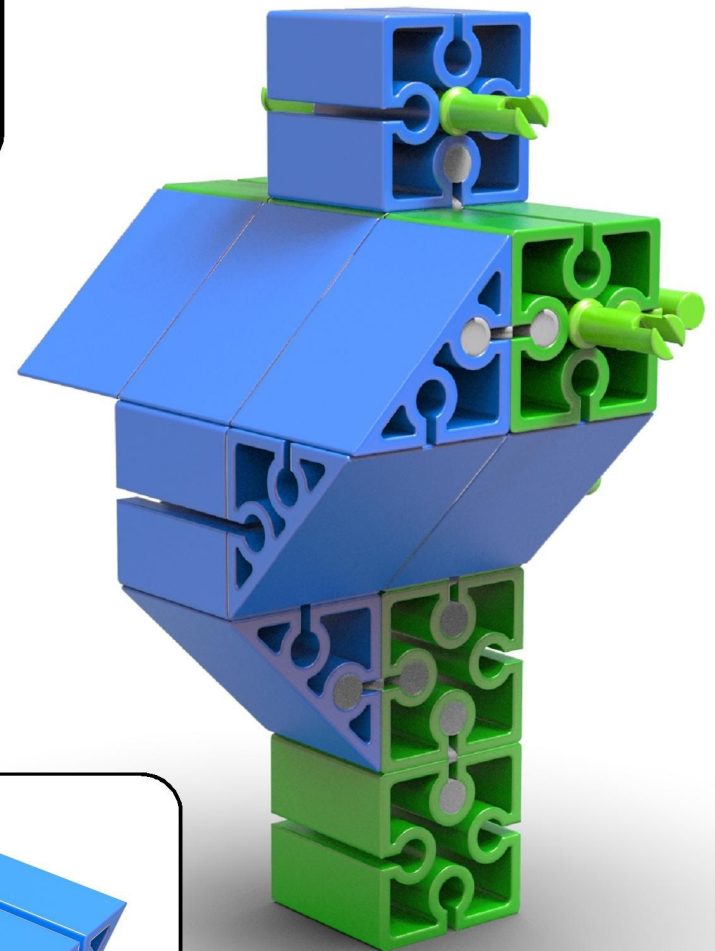
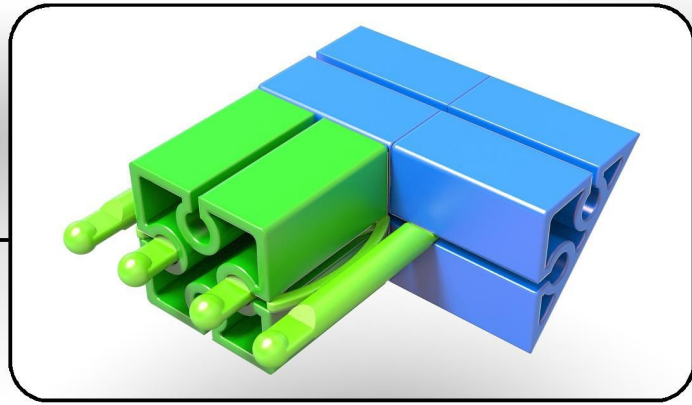
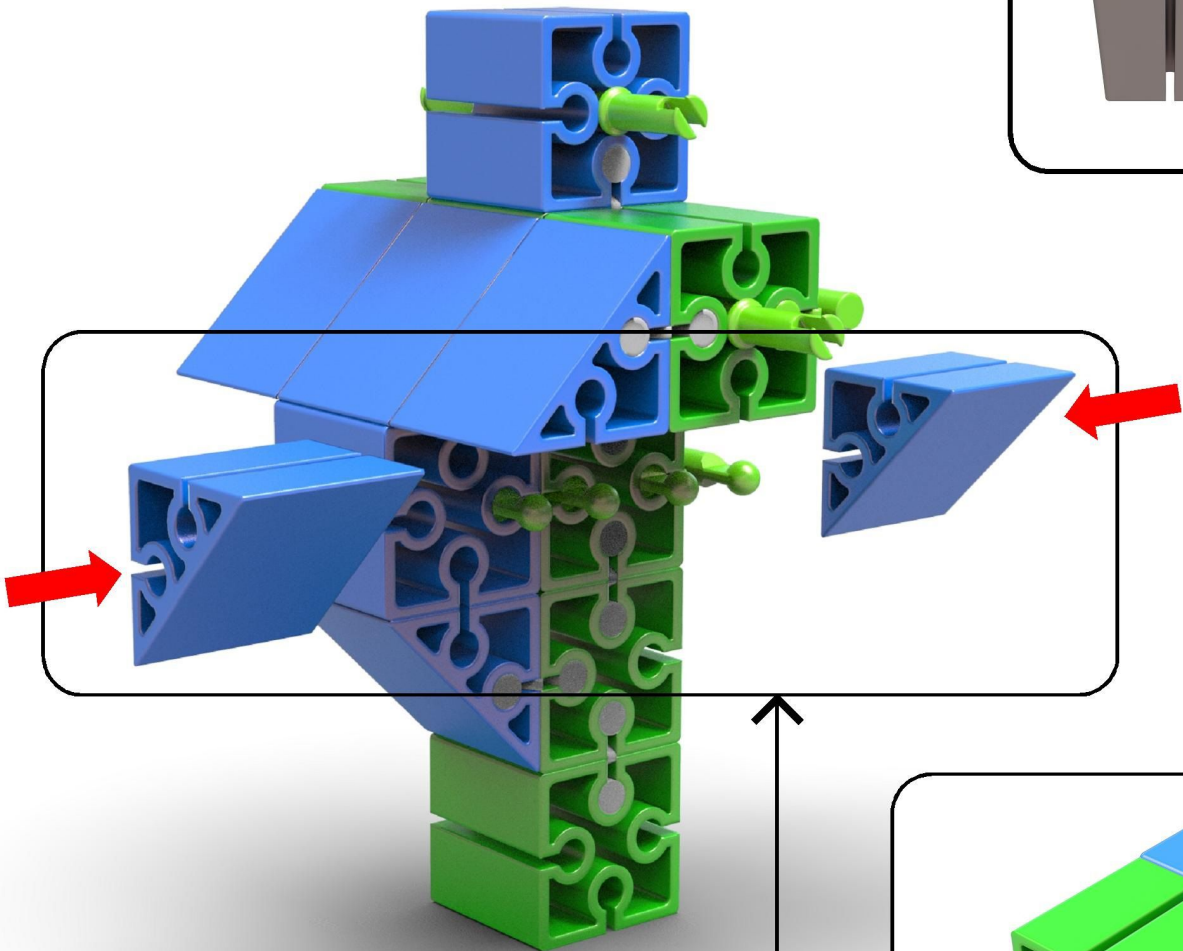
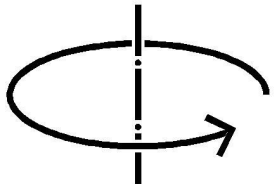
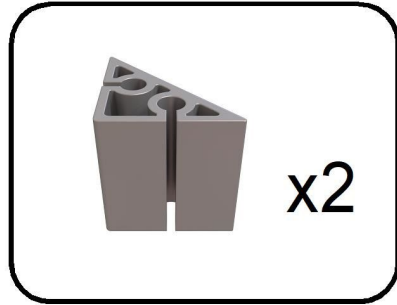
5



⑥

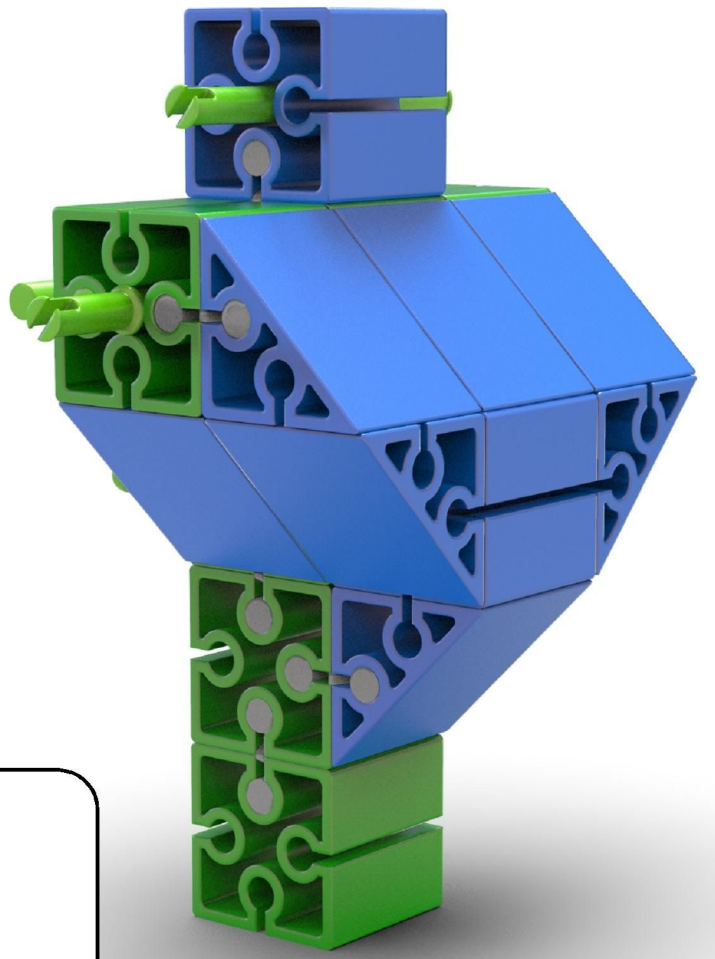
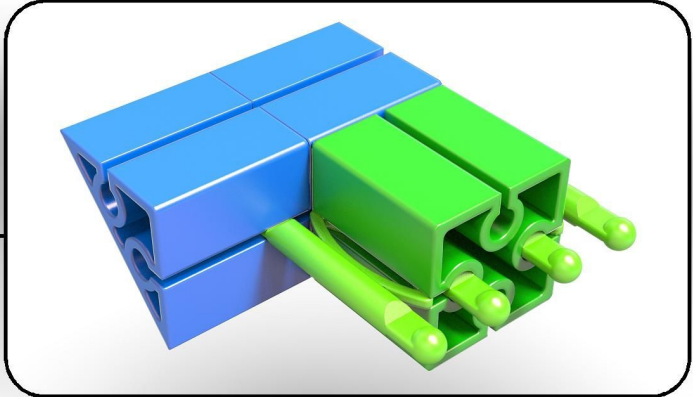
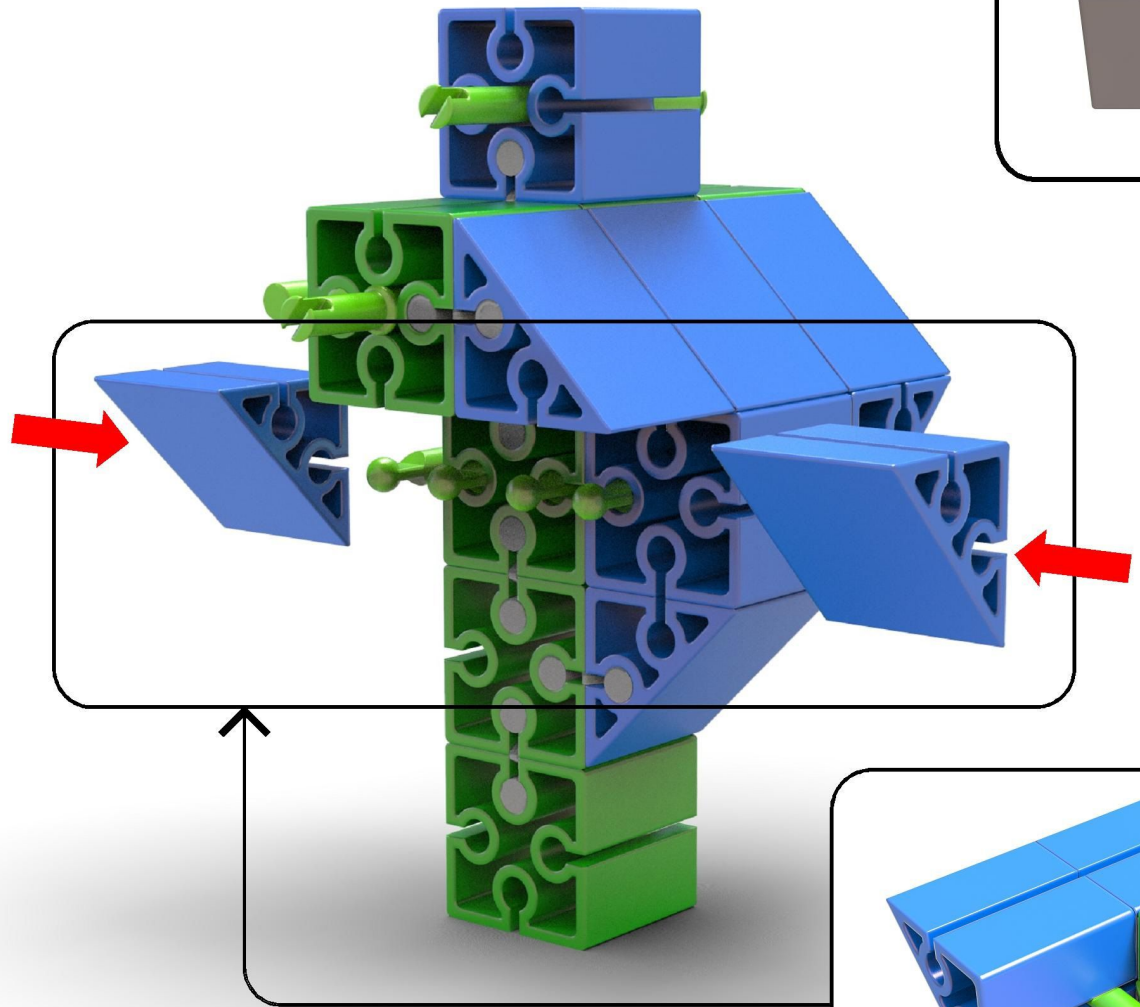
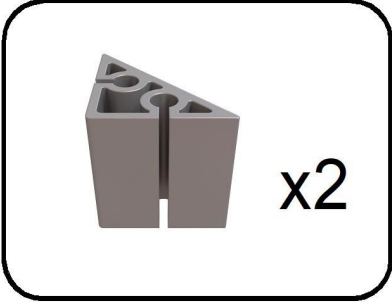


7

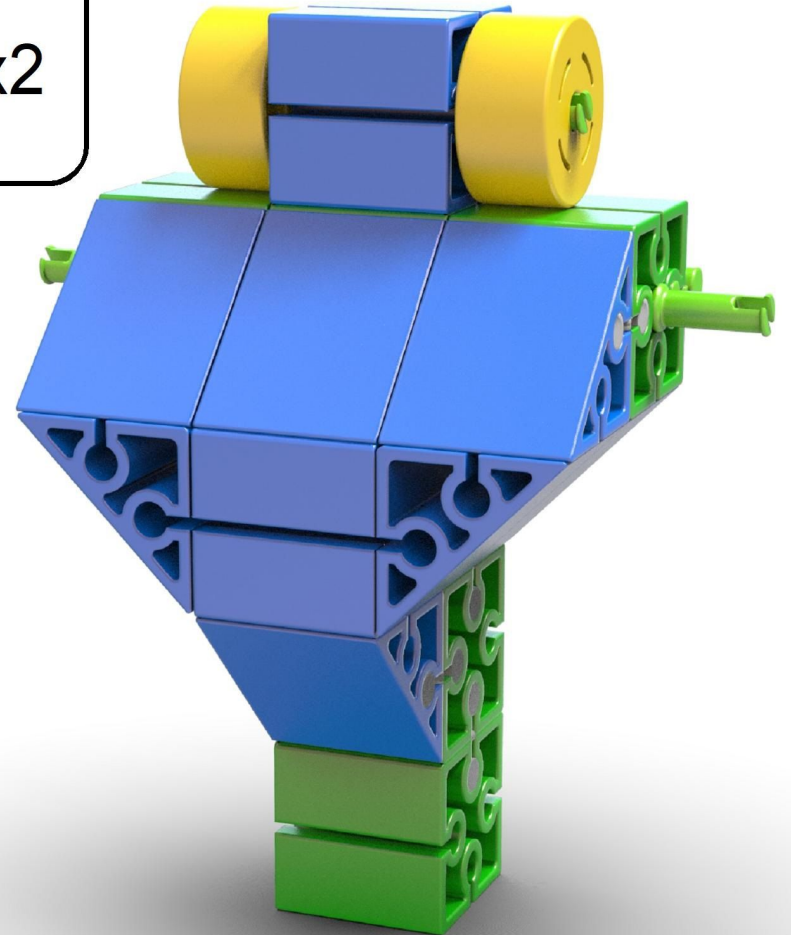
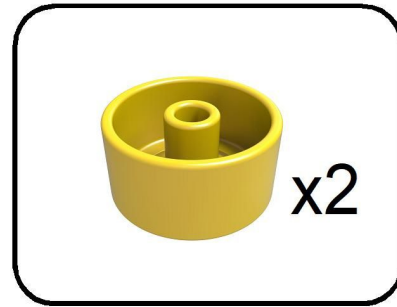
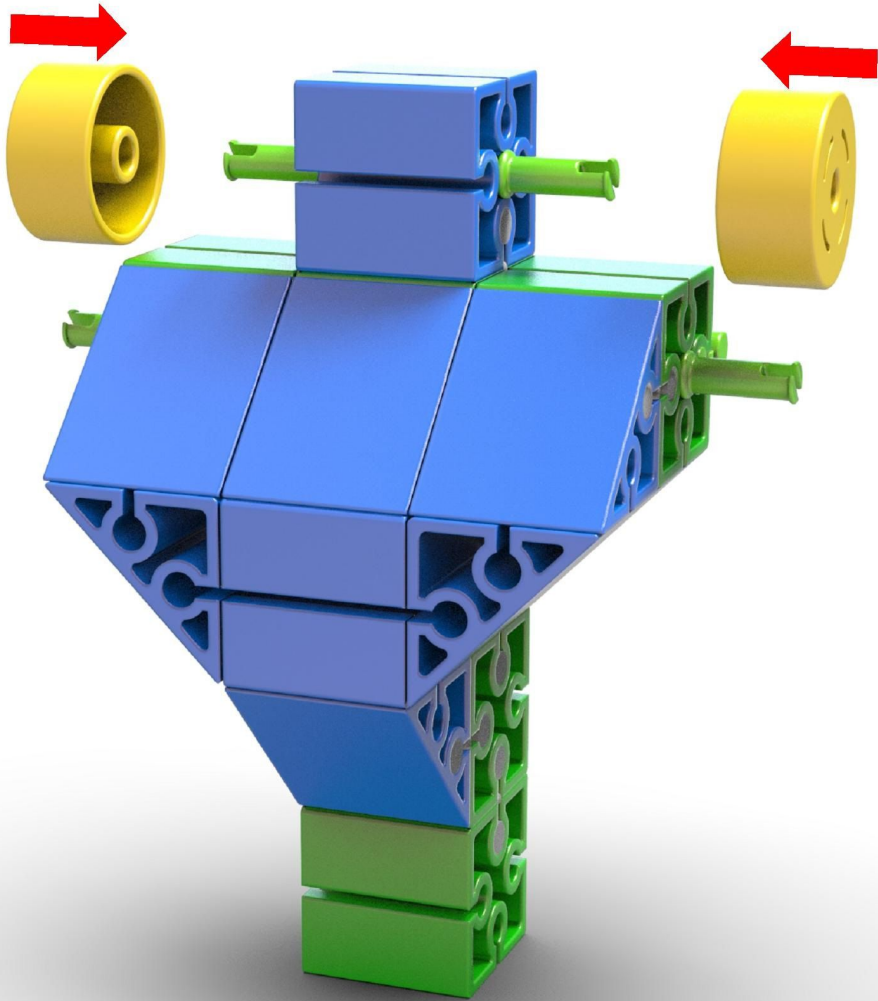




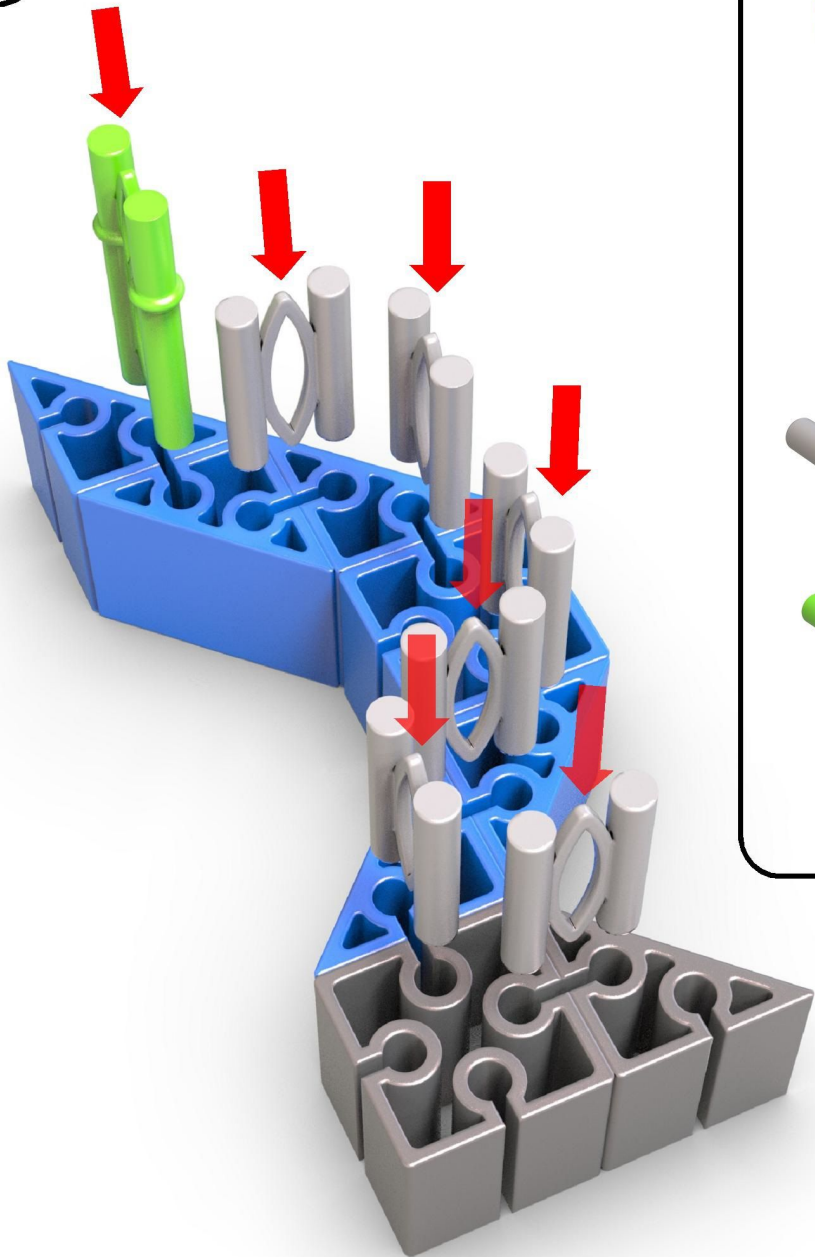
8



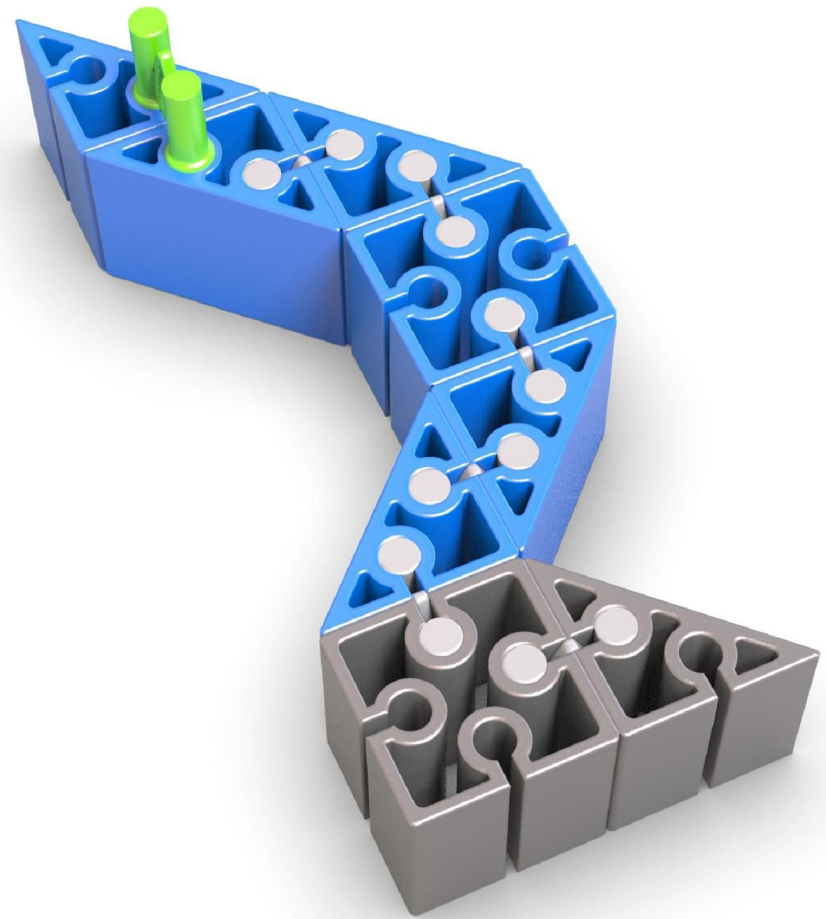
9



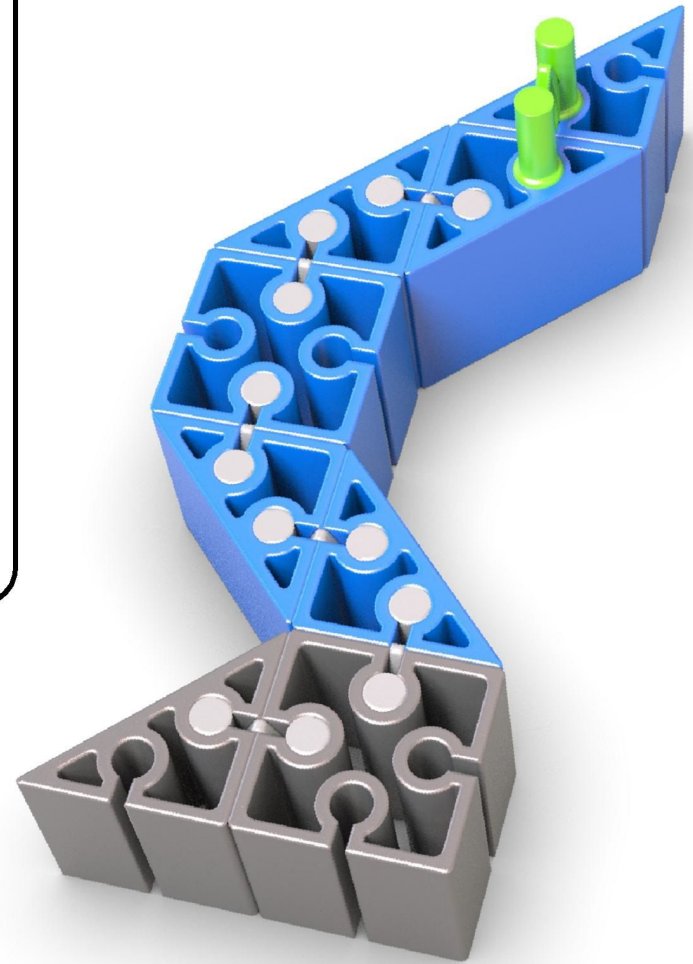
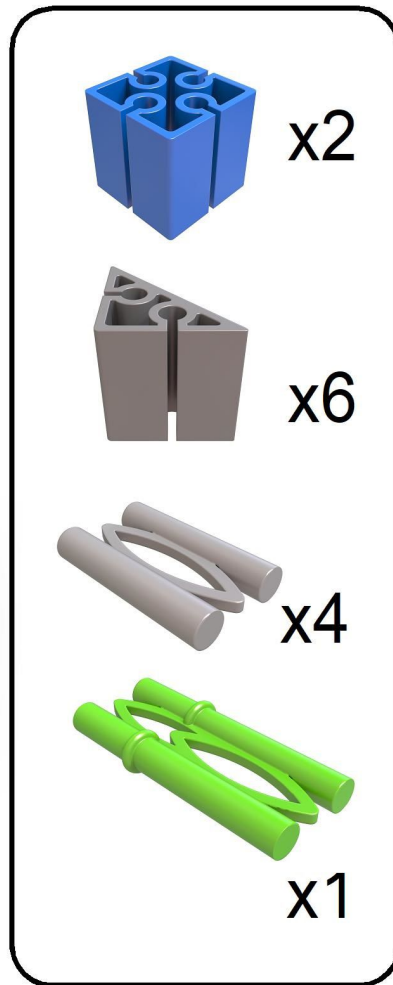
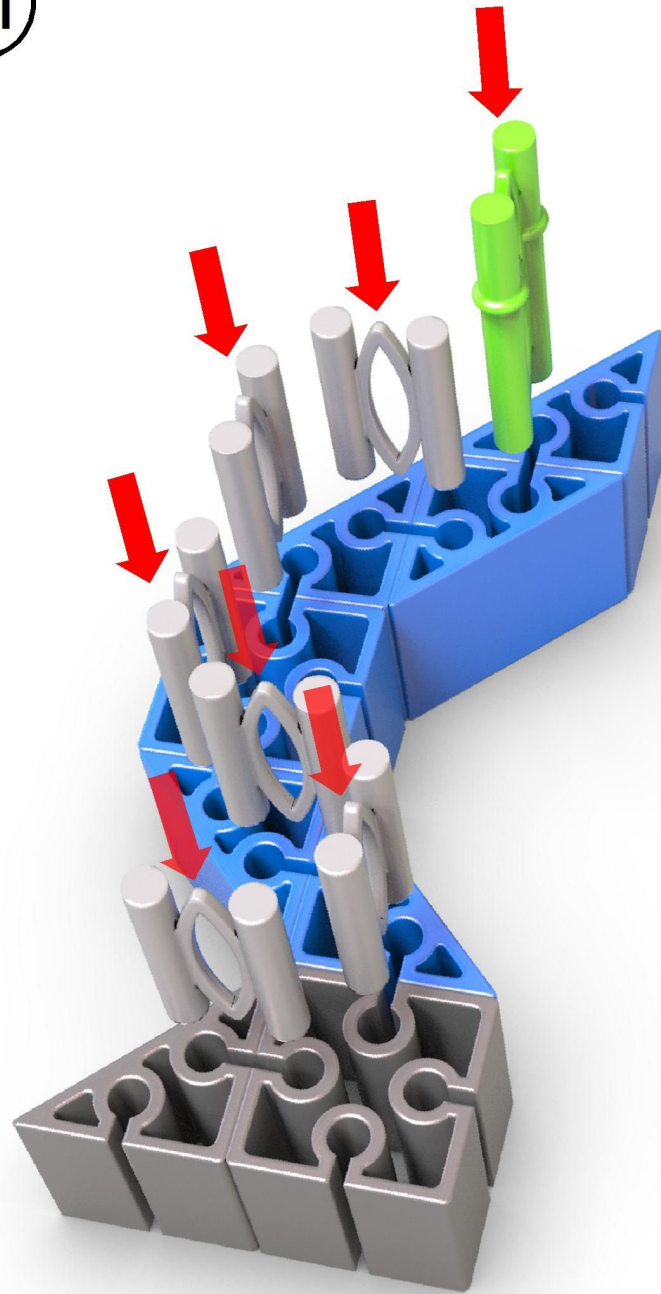
10



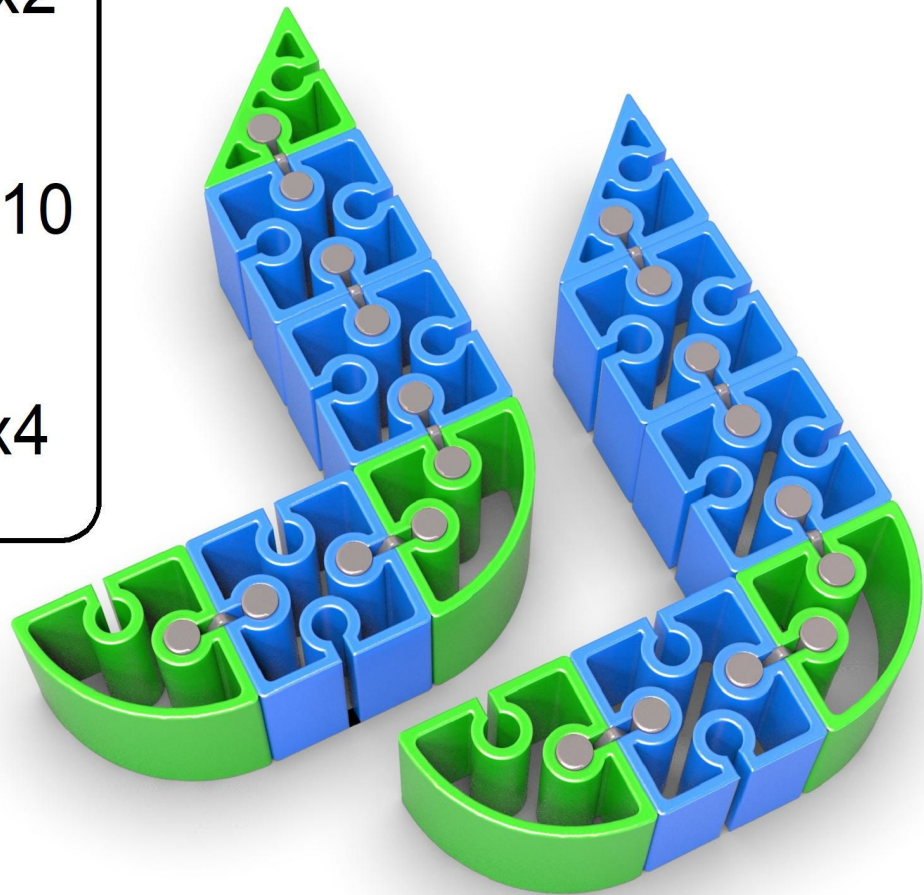
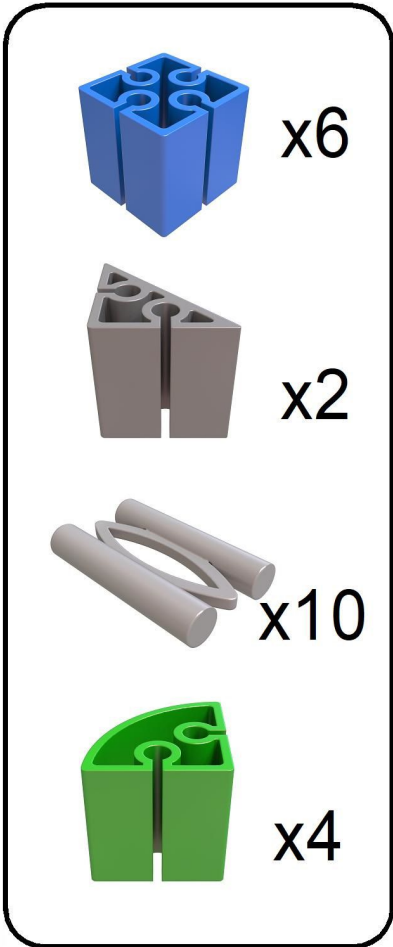
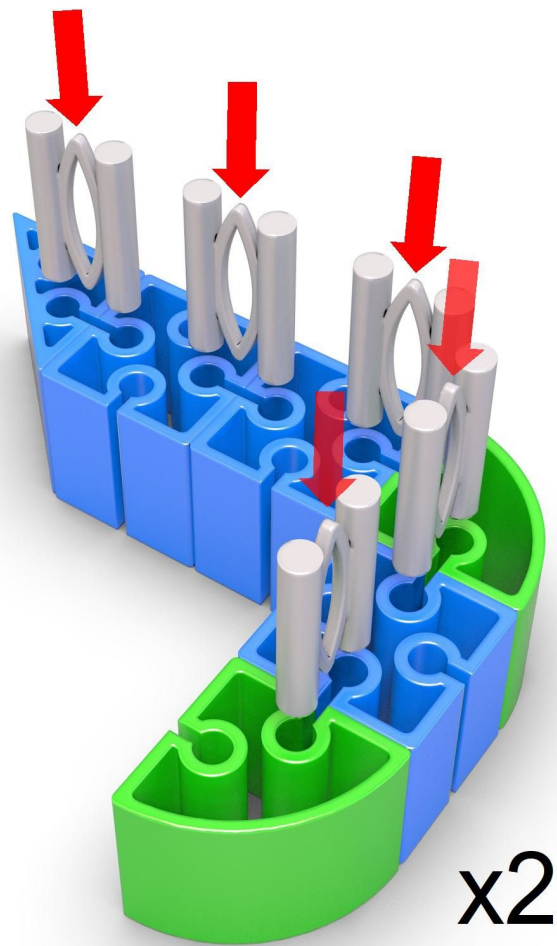
- x2
- x6
- x4
- x1



11



12



13

