



# ET-2261/2261-16 Quick Start

v1.2, Jun. 2018

## What's in the box?

The package includes the following items:



or



ET-2261 Module x 1

ET-2261-16 Module x 1

Quick Start x1  
(This Document)

## Related Information

- ET-2200 Series Product Page:  
[http://www.icpdas.com/root/product/solutions/remote\\_io/ethernet\\_io/petl-7000\\_tpet\\_tet/petl\\_series\\_main\\_page.html](http://www.icpdas.com/root/product/solutions/remote_io/ethernet_io/petl-7000_tpet_tet/petl_series_main_page.html)
- Documentation & Firmware:  
<http://ftp.icpdas.com.tw/pub/cd/6000cd/napdos/et2200/>
- NS-205/MDR-20-24 Product Page (optional):  
[http://www.icpdas.com/root/product/solutions/industrial\\_ethernet\\_switch/ns-205.html](http://www.icpdas.com/root/product/solutions/industrial_ethernet_switch/ns-205.html)  
[http://www.icpdas.com/root/product/solutions/accessories/power\\_supply/mdr-20-24.html](http://www.icpdas.com/root/product/solutions/accessories/power_supply/mdr-20-24.html)

# 1 Connecting the Power and Host PC

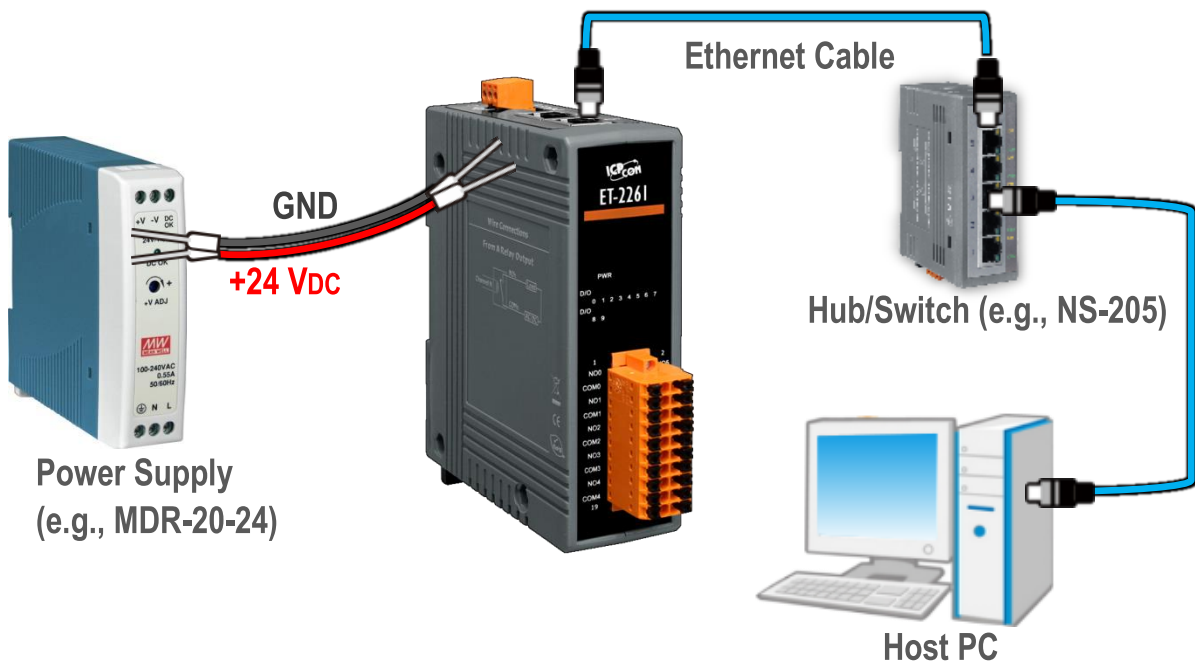
1) Make sure your PC has workable network settings.

Disable or well configure your Windows firewall and Anti-Virus firewall first, else the “**Search Servers**” on **Chapter 5** may not work. (Please contact with your system Administrator)

2) Connect both the ET-2261/2261-16 and your PC to the same sub network or the same Ethernet switch.

3) Supply power to the ET-2261/2261-16. Refer to the below for the valid range:

Model	ET-2261	ET-2261-16
Valid Voltage Range	+10 to +30 V <sub>DC</sub>	+10 to +48 V <sub>DC</sub>





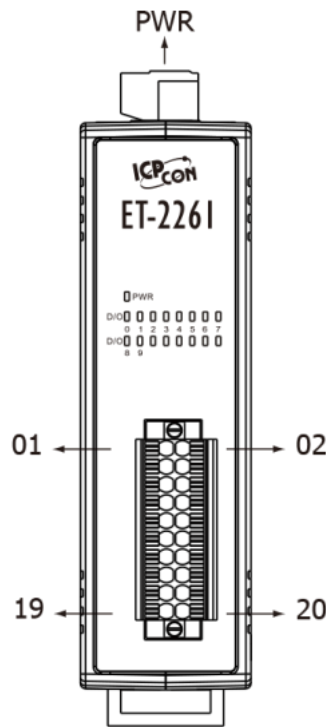
4) Verify that the “**PWR**” LED indicator on the ET-2261/2261-16 is flashing.





# 2

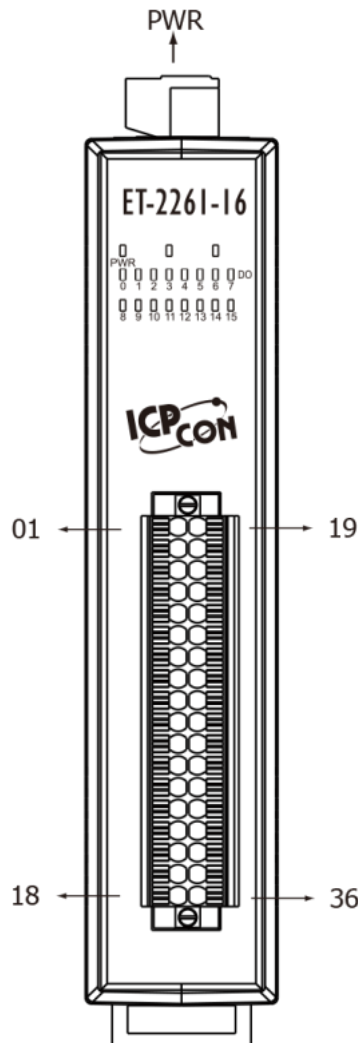
## Pin Assignments & Wiring Note

Terminal No.	Pin Assignment
PWR	F.G.
	GND
	+ Vs
ETH1	
ETH2	



Terminal No.	Pin Assignment	Pin Assignment	Terminal No.
01	NO0	NO5	02
03	COM0	COM5	04
05	NO1	NO6	06
07	COM1	COM6	08
09	NO2	NO7	10
11	COM2	COM7	12
13	NO3	NO8	14
15	COM3	COM8	16
17	NO4	NO9	18
19	COM4	COM9	20

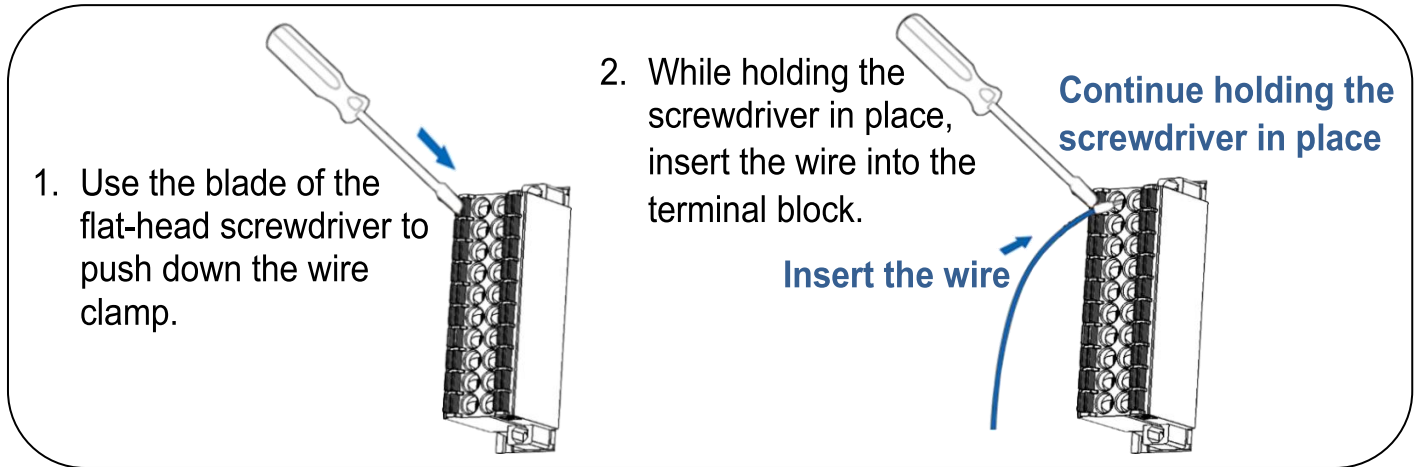
Terminal No.	Pin Assignment
PWR	F.G.
	GND
	+ Vs
ETH1	
ETH2	



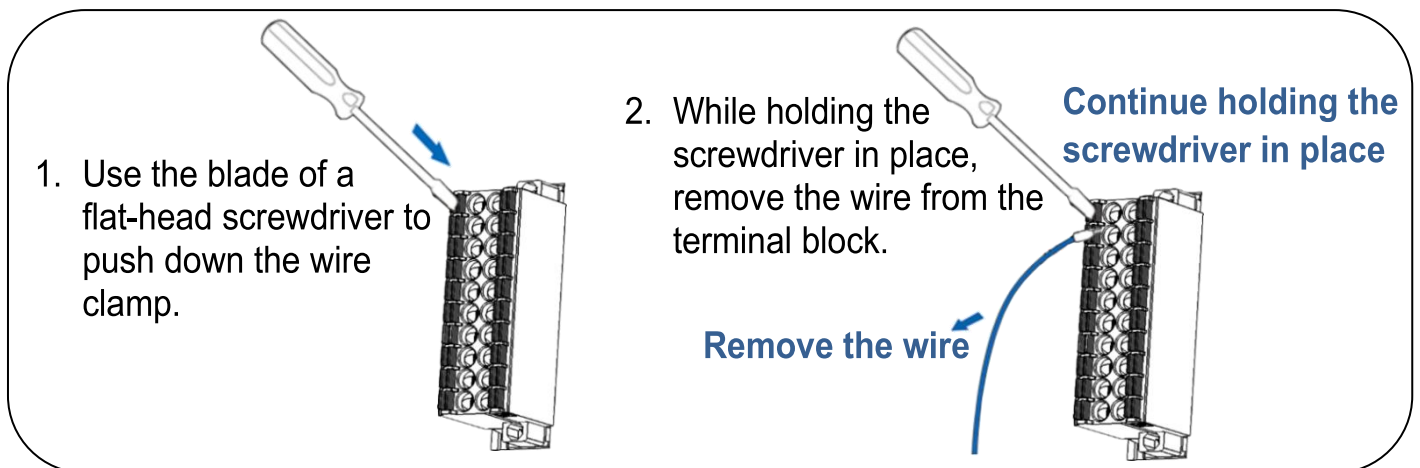
Terminal No.	Pin Assignment	Pin Assignment	Terminal No.
01	NO0	COM0	19
02	NO1	COM1	20
03	NO2	COM2	21
04	NO3	COM3	22
05	NO4	COM4	23
06	NO5	COM5	24
07	NO6	COM6	25
08	NO7	COM7	26
09	N/A	N/A	27
10	N/A	N/A	28
11	NO8	COM8	29
12	NO9	COM9	30
13	NO10	COM10	31
14	NO11	COM11	32
15	NO12	COM12	33
16	NO13	COM13	34
17	NO14	COM14	35
18	NO15	COM15	36

# 3 Wiring Note

➤ **A tip for connecting the wire to the connector**



➤ **A tip for removing the wire from the connector**

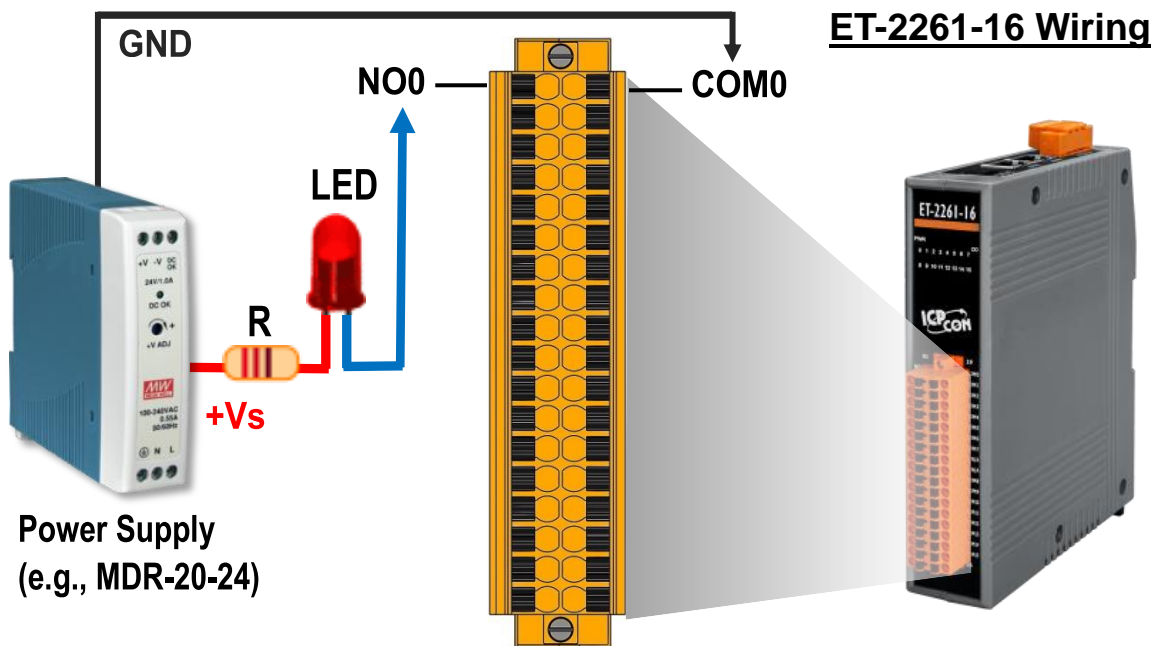
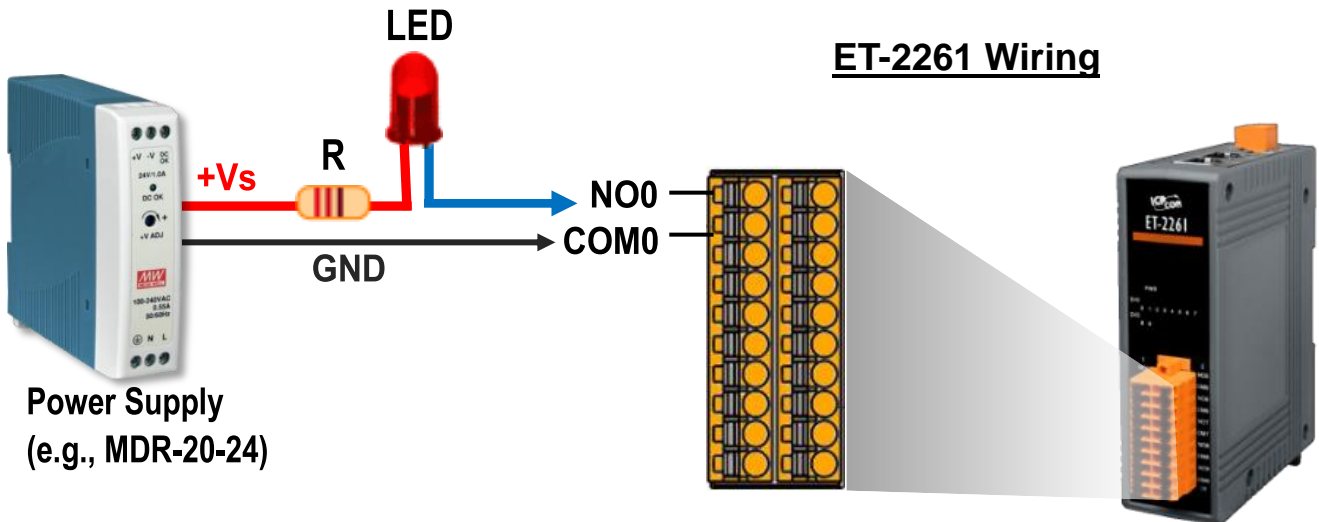


➤ **Wire Connections:**

Power Relay	Readback as 1 ON State	Readback as 0 OFF State
Relay Output		

# 4 Wiring the DO for Self-test

- 1) Use output LED to connect the External Power +24V to the NO0 pin.
- 2) Connect the External Power GND to the COM0 pin.



# 5 Installing Software on Your PC

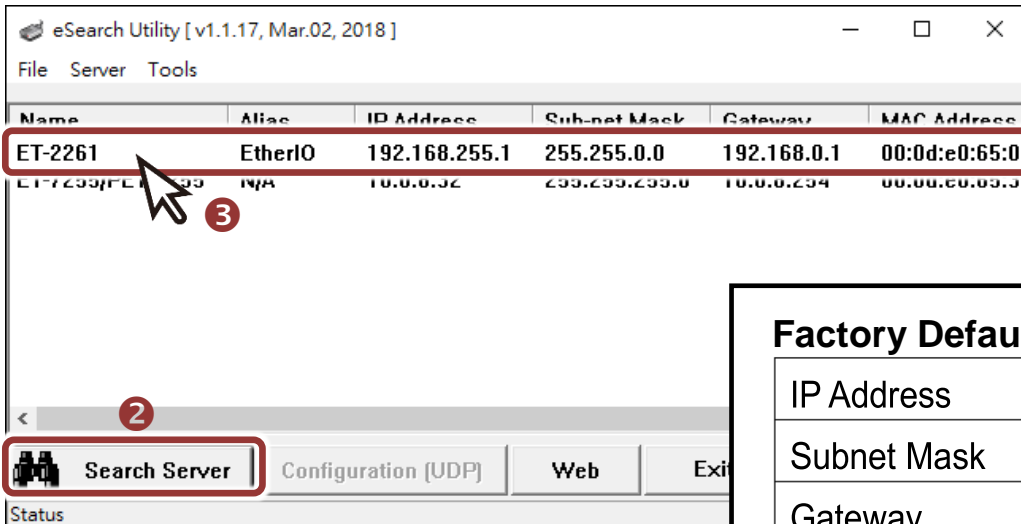
Install eSearch Utility, which can be obtained from the web site:



<http://ftp.icpdas.com/pub/cd/6000cd/napdos/software/esearch/>

# 6 Configuring Network Settings

- 1) Double-click the eSearch Utility shortcut on the desktop.
- 2) Click the “**Search Servers**” to search your ET-2261/2261-16.
- 3) Double-click your ET-2261/2261-16 to configure the settings

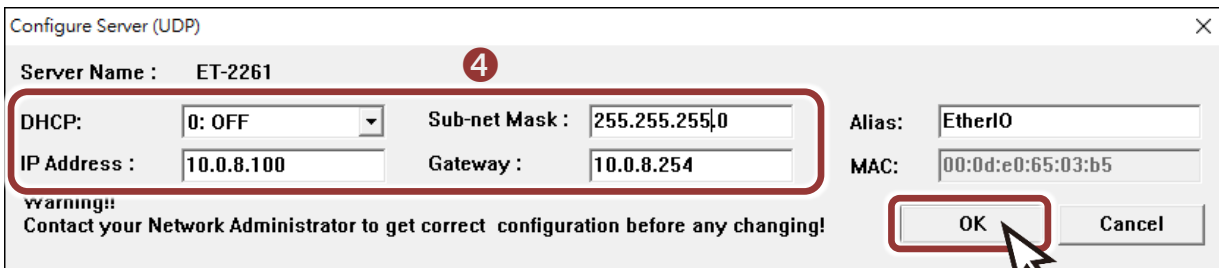


**Factory Default Settings:**

IP Address	192.168.255.1
Subnet Mask	255.255.0.0
Gateway	192.168.0.1

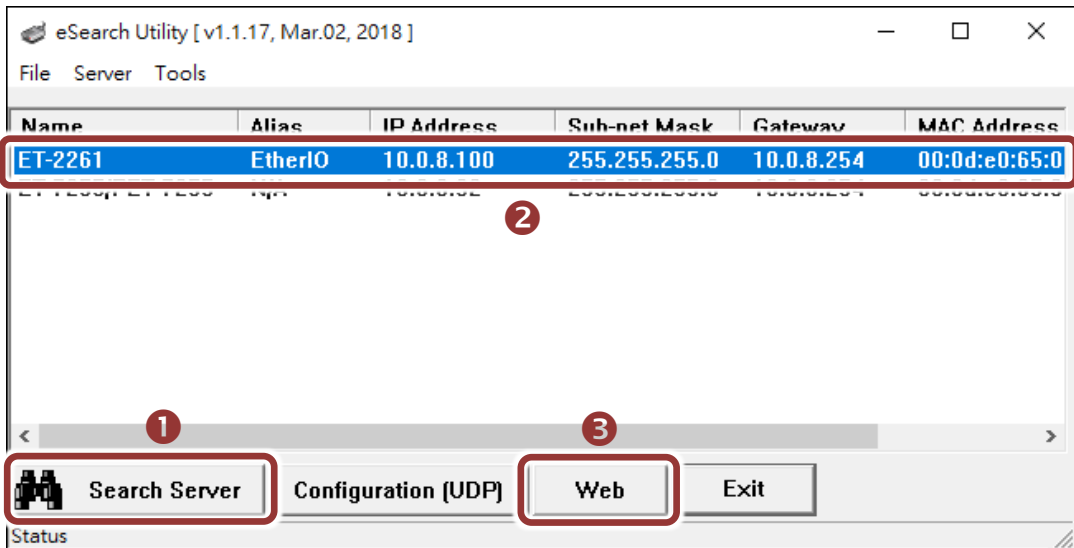
- 4) Contact your Network Administrator to obtain a correct network configuration (such as **IP/Mask/Gateway**). Enter the network settings and click “**OK**”.

**Note: The ET-2261/2261-16 will use the new settings 2 seconds later.**

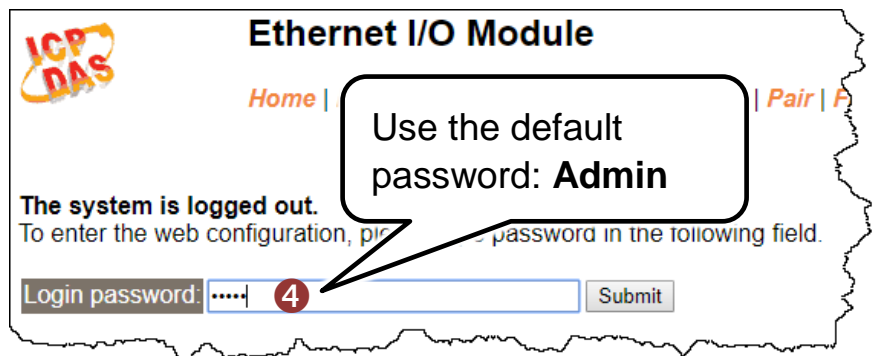


# 7 Testing your Ethernet I/O Module

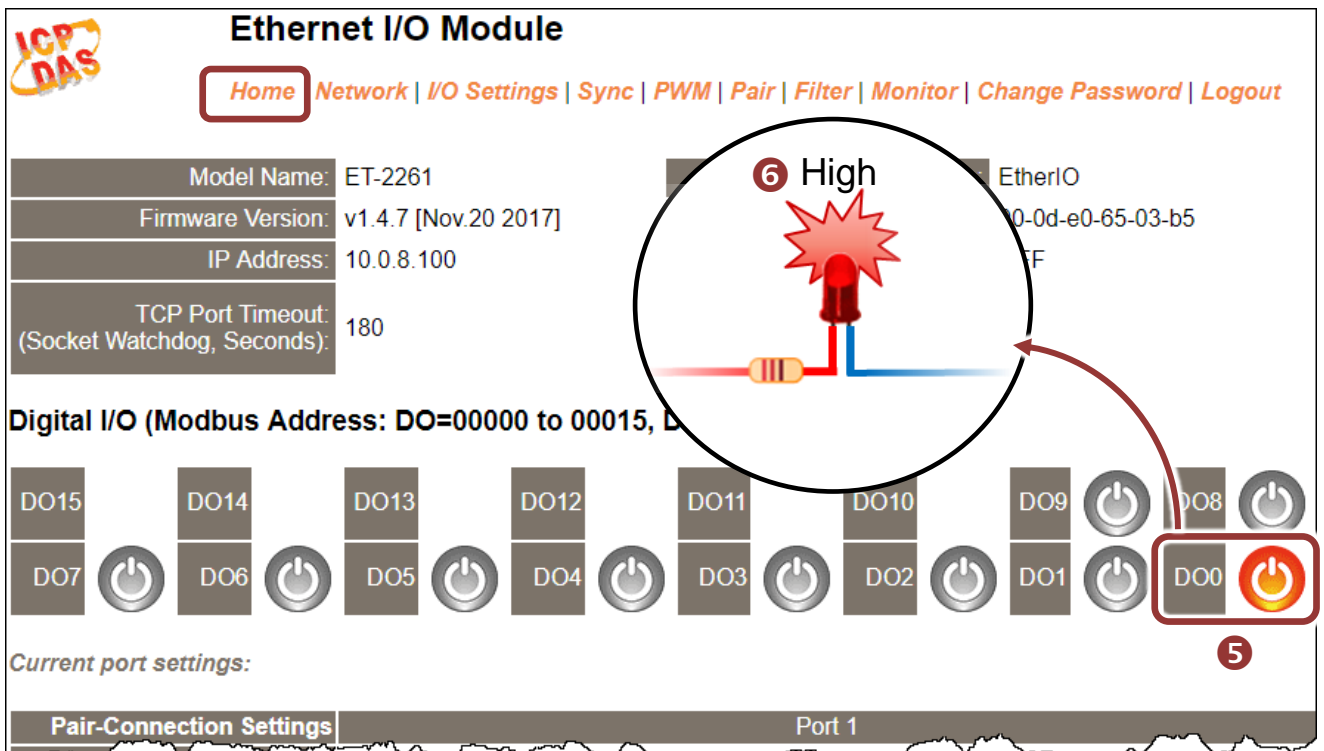
- 1) Wait 2 seconds and click “**Search Servers**” button again to ensure the ET-2261/2261-16 is working well with new configuration.
- 2) Click the name of ET-2261/2261-16 to select it.
- 3) Click the “**Web**” button to log in to the web configuration pages.  
(Or enter the URL address of the ET-2261/2261-16 in the address bar of the browser.)



4) Enter the password (default: Admin) in the “login password” field and click “Submit”.



- 5) In the “Home” page, click the “DO0” button to ON (Red).  
 6) Verify that the output LED status for “high”.





# 8

## Modbus Address

The nDO parameters in the following Modbus Address Tables are as follows:

Mode Name	Universal DIO	Number of DO channels (nDO)	Number of DI channels (nDI)
ET-2261	-	10	-
ET-2261-16	-	16	-

➤ (0xxxx) DO address:

Begin address	Points	Description	Bits Per Point	Range	Access Type
0 (0x0)	1~nDO	Digital Output Channels	1	0: OFF 1: ON	R/W
60 (0x3C)	1	Saves specific data to Flash (The access type for some registers is labeled with an “E”)	1	0: cannot be write 1: can be write	W
⋮	⋮	⋮	⋮	⋮	⋮
100 (0x21)	1~nDO	Enables the PWM for all DO Channels	1	0: OFF 1: ON (Default: 0)	R/W
235 (0xEB)	1~nDO	Sets the Power-on value for all DO Channels	1	0: OFF 1: ON (Default: 0)	R/W/F
267 (0x10B)	1~nDO	Sets the Safe value for all DO Channels	1	0: OFF 1: ON (Default: 0)	R/W/F

“R”: Read, “W”: Write, “F”: Settings are recorded in flash by default,  
“E”: After writing DO[60] register, the data will be stored in flash.

 **Note**

For detail “DI/DO Modbus Address” information, refer to Section 6.3 Modbus Register Table of user’s manual (<http://ftp.icpdas.com/pub/cd/6000cd/napdos/et2200/document/>).