

SHINDENGEN

Super Fast Recovery Rectifiers

Dual

S20LC20U

200V 20A

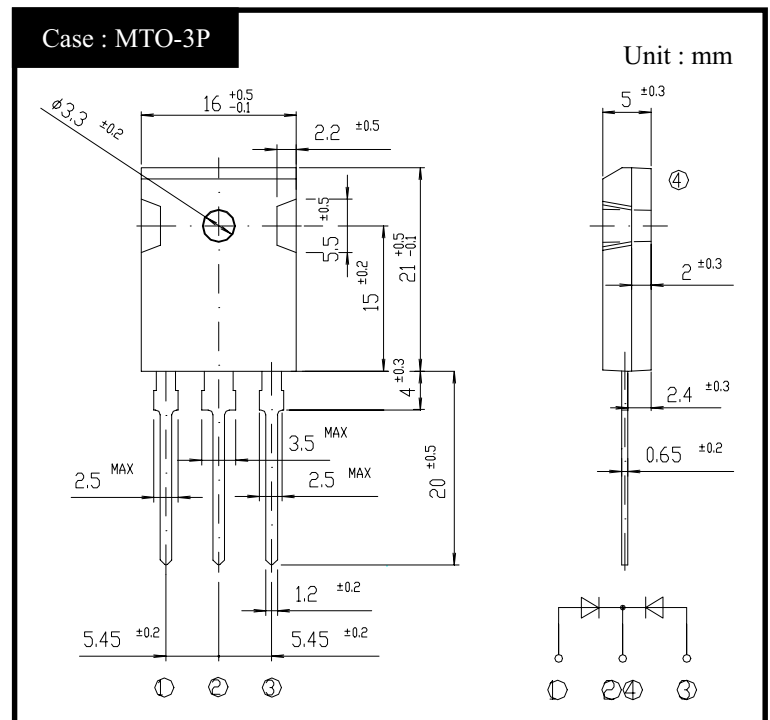
FEATURES

- Low noise
- trr35ns
- Small θ_{jc}
- Dielectric strength 2kV guaranteed

APPLICATION

- Switching power supply
- Free Wheel
- Home Appliances, Office Equipment, Factory Automation

OUTLINE DIMENSIONS



RATINGS

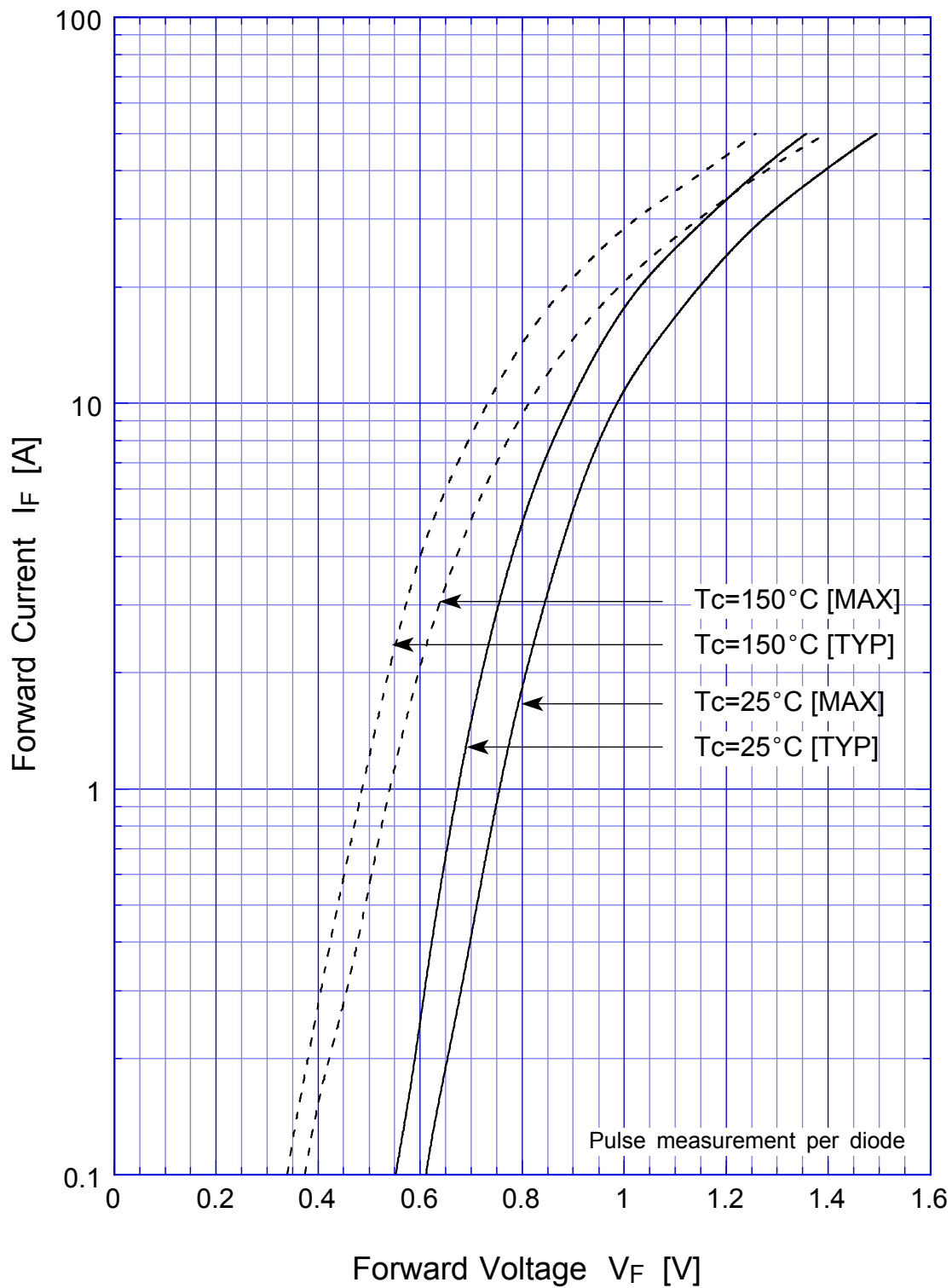
● Absolute Maximum Ratings (If not specified $T_c=25^\circ\text{C}$)

Item	Symbol	Conditions	Ratings	Unit
Storage Temperature	T _{stg}		-40~150	°C
Operating Junction Temperature	T _j		150	°C
Maximum Reverse Voltage	V _{RM}		200	V
Average Rectified Forward Current	I _O	50Hz sine wave, R-load, Rating for each diode I _O /2, T _c =123°C	20	A
Peak Surge Forward Current	I _{FSM}	50Hz sine wave, Non-repetitive 1 cycle peak value, T _j =25°C	140	A
Mounting Torque	TOR	(Recommended torque: 0.5N·m)	0.8	N·m

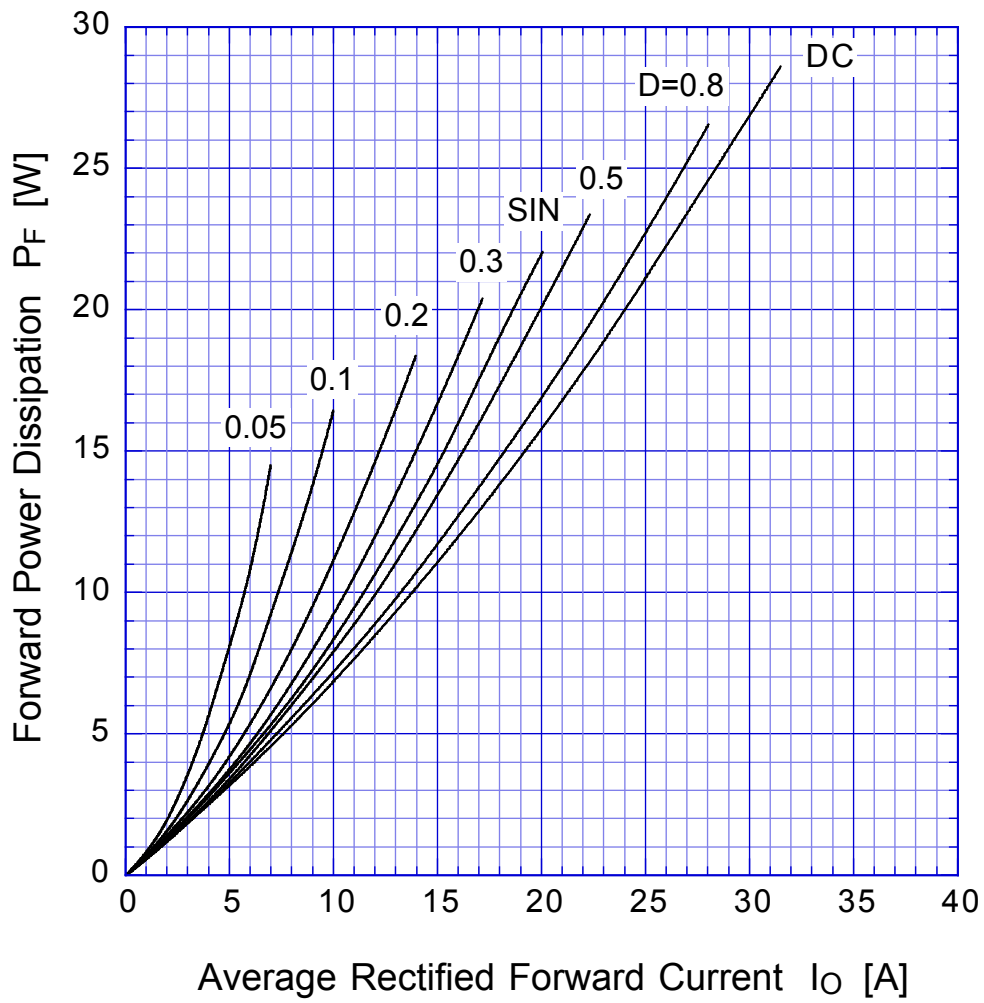
● Electrical Characteristics (If not specified $T_c=25^\circ\text{C}$)

Item	Symbol	Conditions	Ratings	Unit
Forward Voltage	V _F	I _F =10A, Pulse measurement, Rating of per diode	Max.0.98	V
Reverse Current	I _R	V _R =V _{RM} , Pulse measurement, Rating of per diode	Max.10	μA
Reverse Recovery Time	t _{rr}	I _F =0.5A, I _R =1A, Rating of per diode	Max.35	ns
Thermal Resistance	θ_{jc}	junction to case	Max.1.2	°C/W

S20LC20U Forward Voltage



S20LC20U Forward Power Dissipation

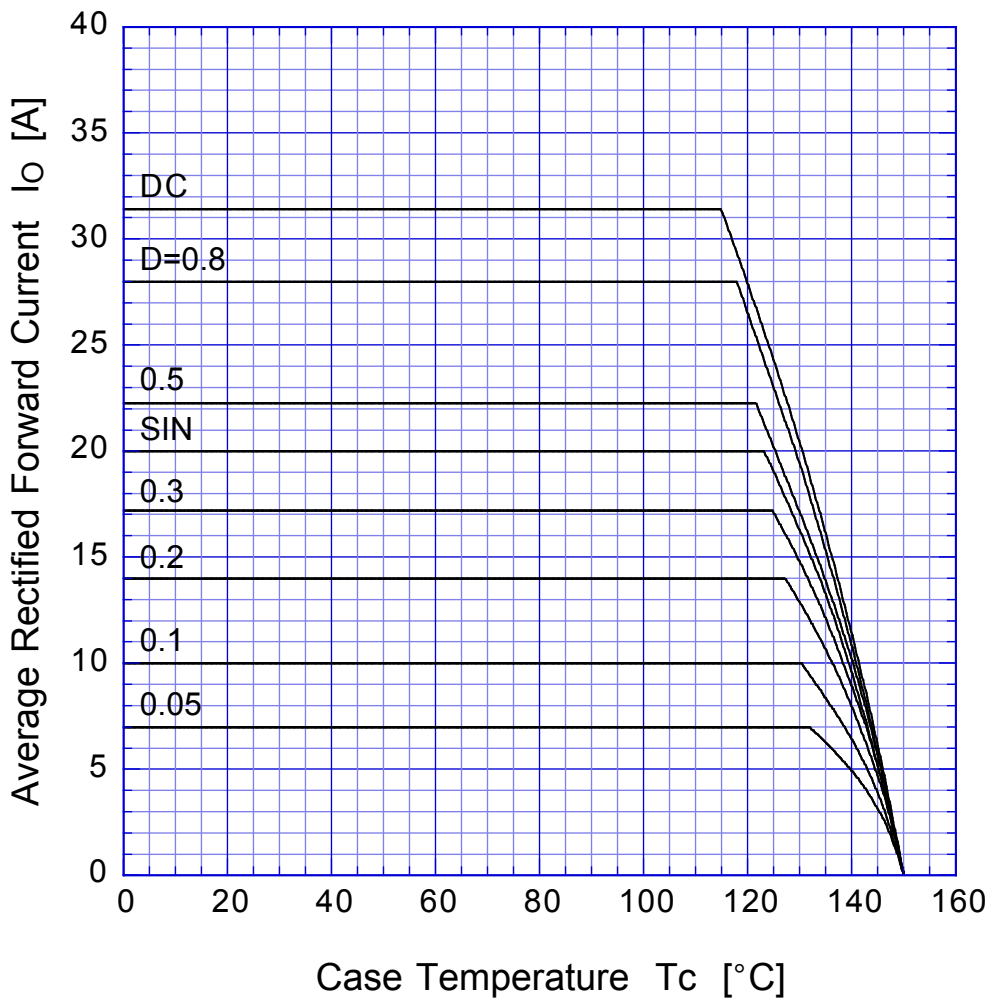


$T_j = T_{jmax}$



S20LC20U

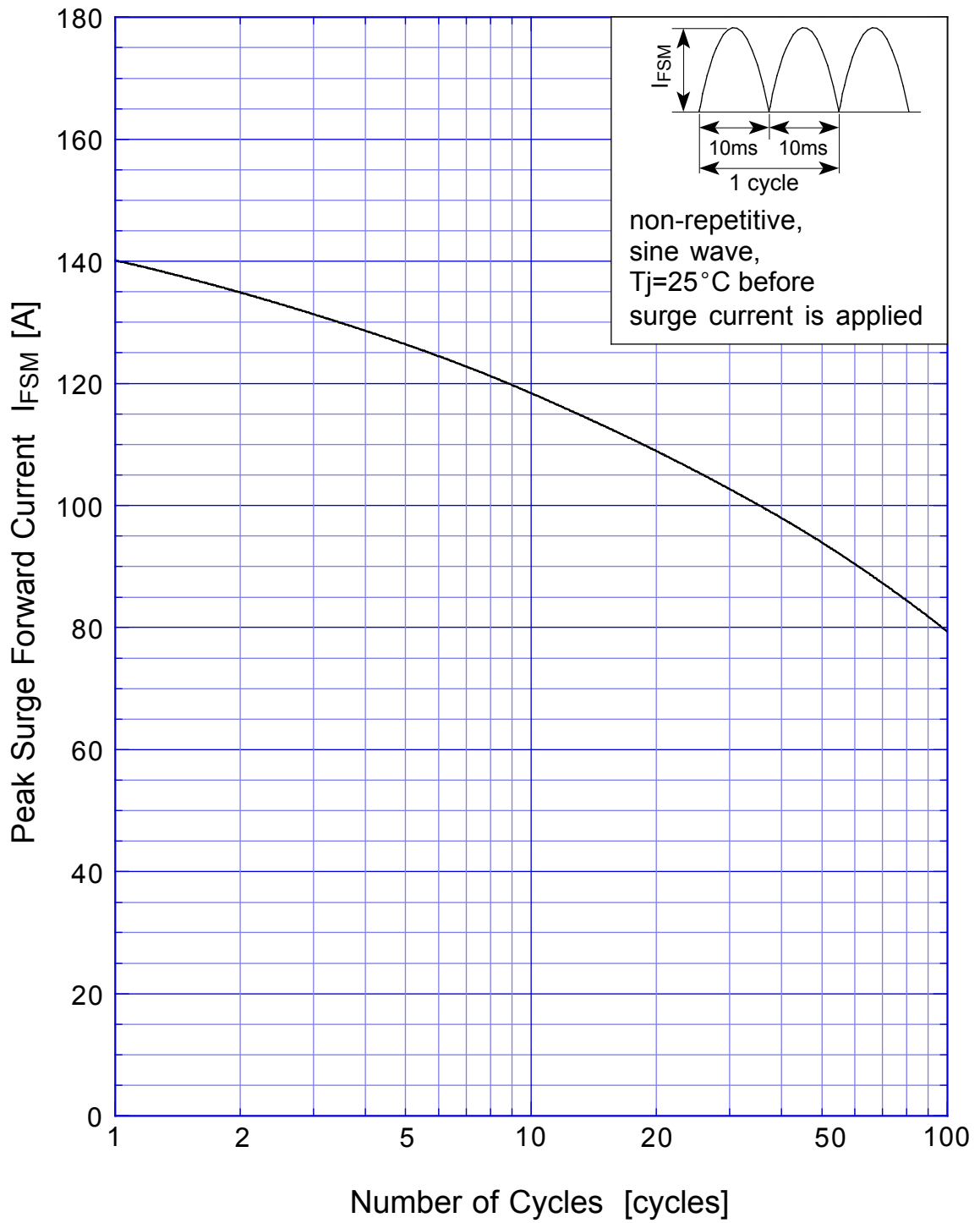
Derating Curve



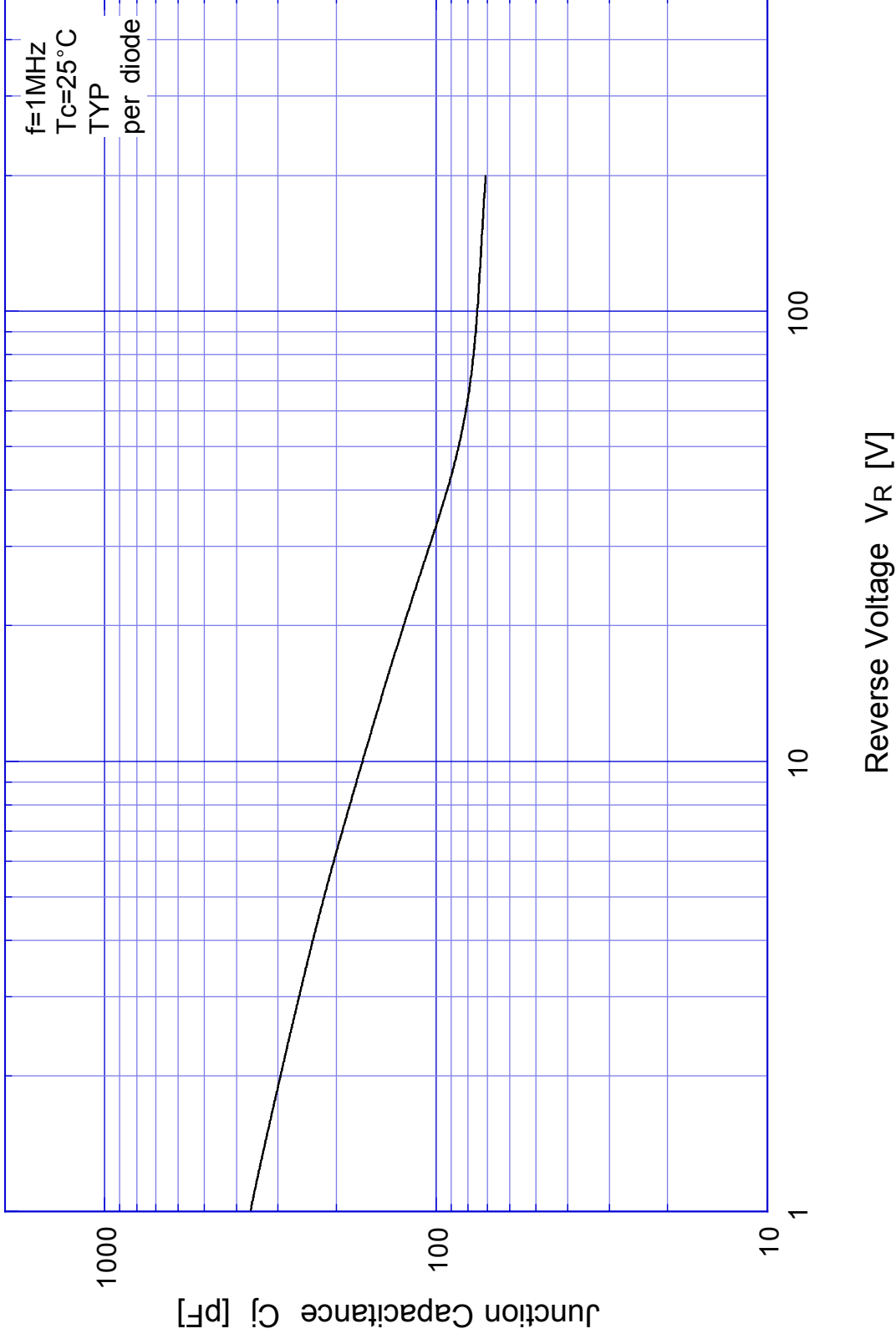
$$V_R = V_{RM}$$



S20LC20U Peak Surge Forward Capability



S20LC20U Junction Capacitance



This datasheet has been download from:

www.datasheetcatalog.com

Datasheets for electronics components.