

## Filterelement Filter element

1700R0100N

www.hydrovet.ru

### Material-Nr.:

Material no.:

### Bezeichnung:

Designation:

10.1700LA PWR10-A00-6-M SO3000

### Filterfeinheit<sup>1</sup>:

Filtration grade<sup>1</sup>:

10 µm

### Filtrationsquotient<sup>1</sup>:

Filtration ratio<sup>1</sup>:

$\beta_{10}(c) = 200 / \beta_{11}(c) = 1000$  (ISO 16889)

### Filtermaterial<sup>1</sup>:

Filter media<sup>1</sup>:

Glasfasermaterial PWR / H..XL

glass fiber material PWR / H..XL

### Kollapsdruckbeständigkeit bar [psi]:

Collapse pressure rating bar [psi]:

30 [435]

### Temperaturbeständigkeit °C [°F]:

Temperature rating °C [°F]:

-40...100 [-40...212]

### Bypass Öffnungsdruck bar [psi]:

Bypass cracking pressure bar [psi]:

3 [43.5]

### Dichtungswerkstoff:

Sealing material:

NBR

### Abmessungen mm [inch]:

Dimensions mm [inch]:

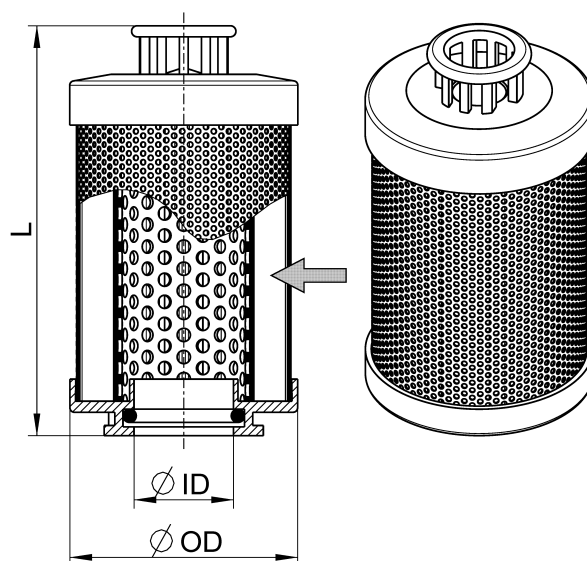
OD = 114,0 [4.5]

ID = 68,4 [2.7]

L = 792,0 [31.2]

Gewicht kg [lbs]: 3,7 [8.2]

Weight kg [lbs]:



Vereinfachte Darstellung  
The drawing shown is a simplistic representation