



MQ-7260AM

MQTT I/O Module with 6-ch Power Relay and 6-ch DI

Features

- Built-in Web Server
- Web HMI
- Support for MQTT Protocol
- Support Modbus TCP Protocol
- 2-port Ethernet Switch for Daisy-Chain Topology
- Dual Watchdog
- Built-in I/O
 - DI: 6 Channels
 - Power Relay: 6 Channels



Introduction

The MQ-7260AM is an Ethernet I/O module equipped with 6-channel DI and 6-channel form A relays, as well as the MQTT and Modbus TCP protocols are supported for connecting with a variety of digital sensors in Industrial Internet of Things (IIoT) applications. A web-based user interface is provided to configure the module, monitor the network connection status and I/O status, and control relay output channels on the module via a normal web browser on a mobile device or computer. The MQ-7260AM features optical isolation for 3000 VDC of transient overvoltage protection, but doesn't provide channel-to-channel isolation. When inductive loads are connected to the relays, a large counter electromotive force may occur when the relay actuates because of the energy stored in the load. These flyback voltages can severely damage the relay contacts and greatly shorten the relay life. Limit these flyback voltages at your inductive load by installing a flyback diode for DC loads or a metal oxide varistor for AC loads.

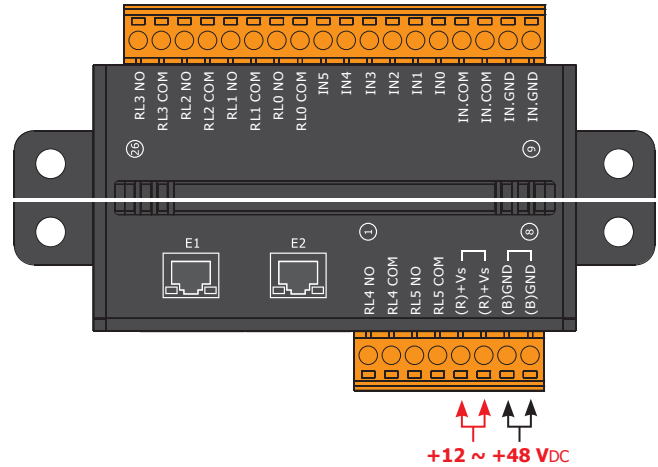
System Specifications

Model	MQ-7260AM
CPU Module	
Watchdog Timer	Yes, Module (0.8 second), Communication (Programmable)
EMS Protection	
EFT (IEC 61000-4-4)	±4 kV for Power Line
ESD (IEC 61000-4-2)	±4 kV Contact for Each Terminal ±8 kV Air for Random Point
Surge (IEC 61000-4-5)	±2 kV for Power Line
LED Indicators	
Status	1 x Power, 2 x Ethernet, 16 x I/O
Software	
Built-in Web Server	Yes
Ethernet	
Ports	2 x RJ-45, 10/100 Base-TX, Switch Ports
Protocol	MQTT 3.1.1 Modbus/TCP, Modbus/UDP
Power	
Reverse Polarity Protection	Yes
Consumption	3.6 W
Powered from Terminal Block	12 ~ 48 VDC
Mechanical	
Casing	Metal
Dimensions (mm)	120 mm x 97 mm x 42 mm (L x W x H)
Installation	DIN-Rail or Wall mounting
Environmental	
Operating Temperature	-25 ~ +75°C
Storage Temperature	-30 ~ +80°C
Humidity	10 ~ 90% RH, Non-condensing

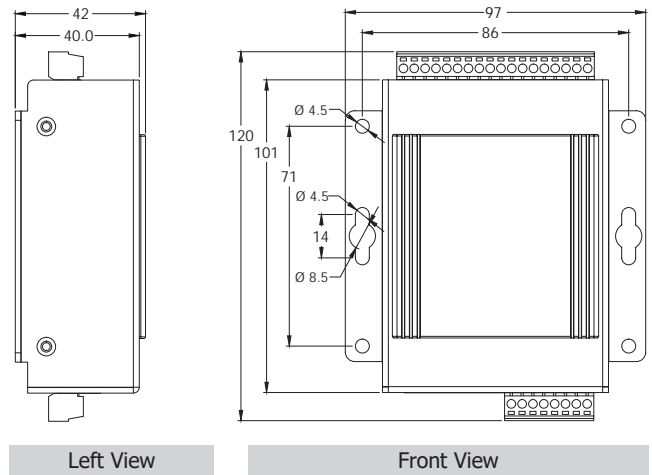
I/O Specifications

Model	MQ-7260AM
Digital Input	
Channels	6
Type	Dry, Wet
Sink/Source (NPN/PNP)	Dry: Source Wet: Sink, Source
ON Voltage Level	Dry: Close to GND Wet: +10 VDC ~ +50 VDC
OFF Voltage Level	Dry: Open Wet: +4 VDC max.
Input Impedance	10 kΩ
Overshoot Protection	+70 VDC
Effective Distance	500 M Max.
Relay Output	
Channels	6
Type	Power Relay, Form A (SPST N.O.)
Contact Rating	5 A @ 250 VAC/24 VDC (Resistive Load)
Operate Time	10 ms (Max.)
Release Time	5 ms (Max.)
Electrical Endurance	10 ⁵ ops.
Mechanical Endurance	2 × 10 ⁷ ops.
Power on Value	Yes, Programmable
Safe Value	Yes, Programmable

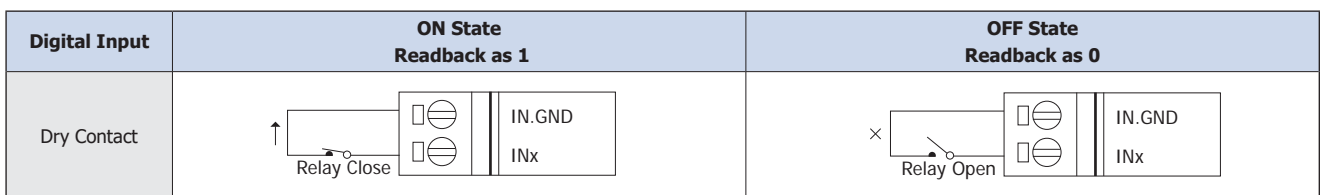
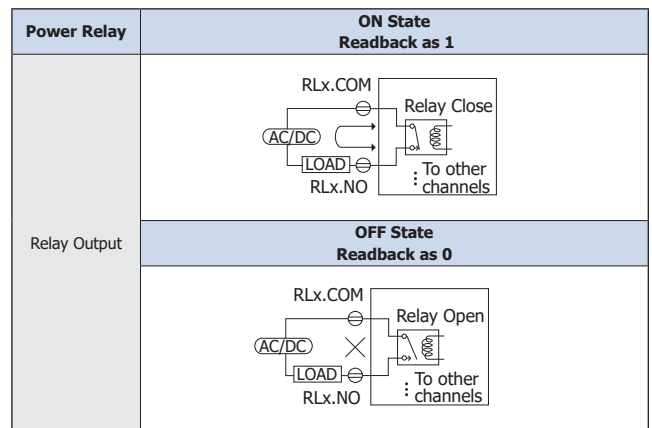
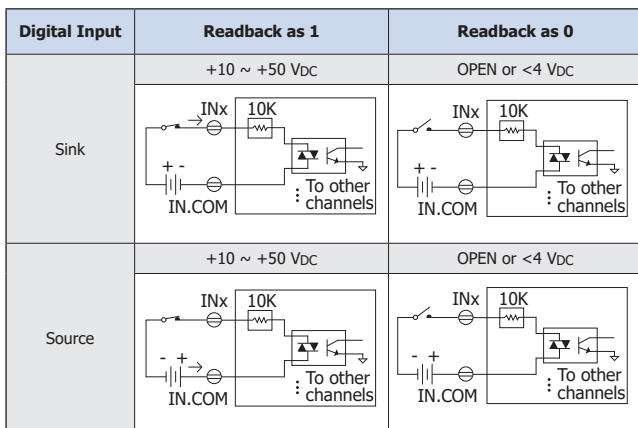
Pin Assignments



Dimensions (Units: mm)



Wire Connections



Ordering Information

MQ-7260AM CR	MQTT I/O Module with 6-ch Power Relay and 6-ch DI (RoHS)
---------------------	--