

TRINITRON® COLOR TV

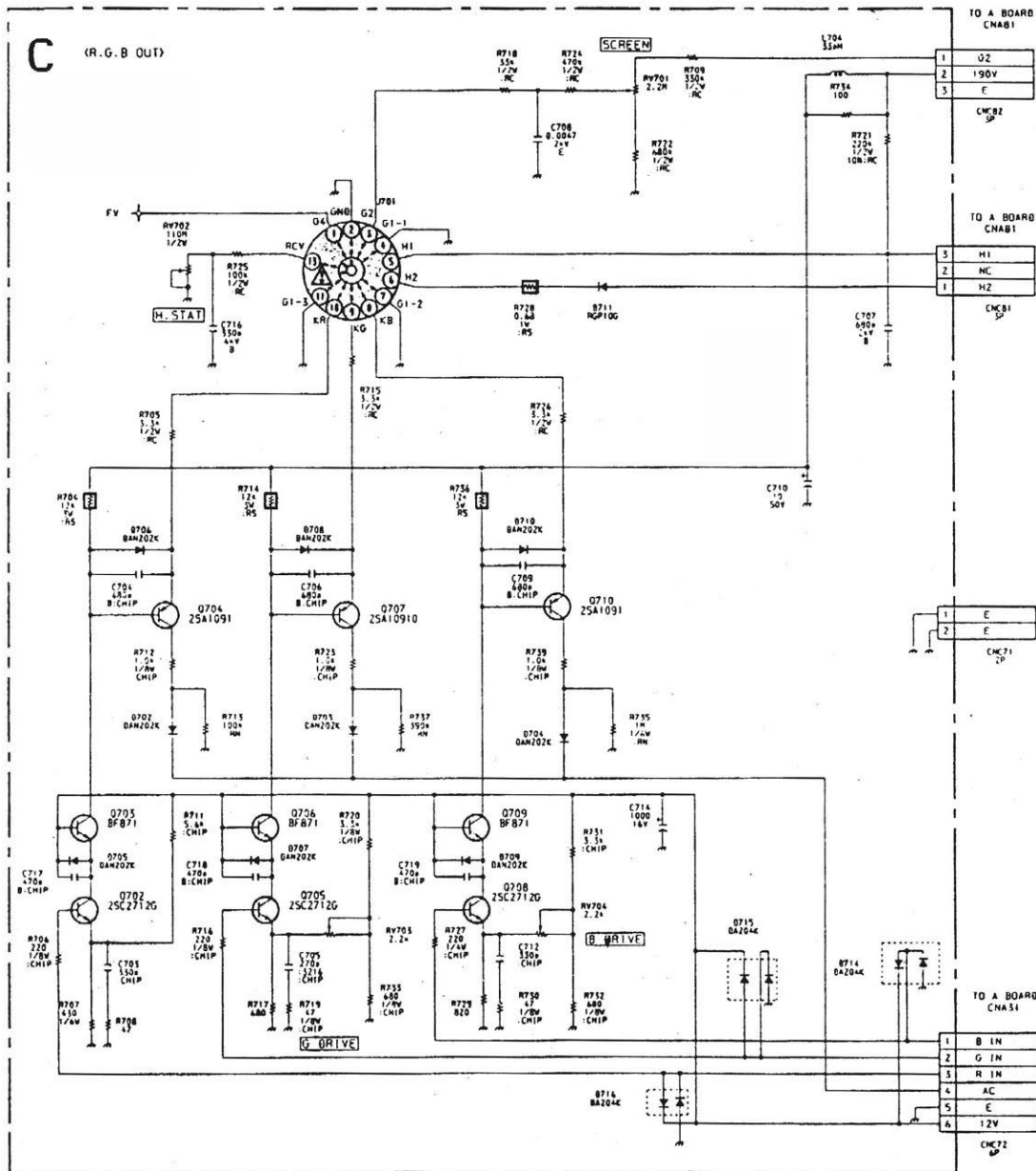
BASIC SCHEMATIC DIAGRAM

KV-M2100K / RM-841

Chassis No. SCC-E50J-A

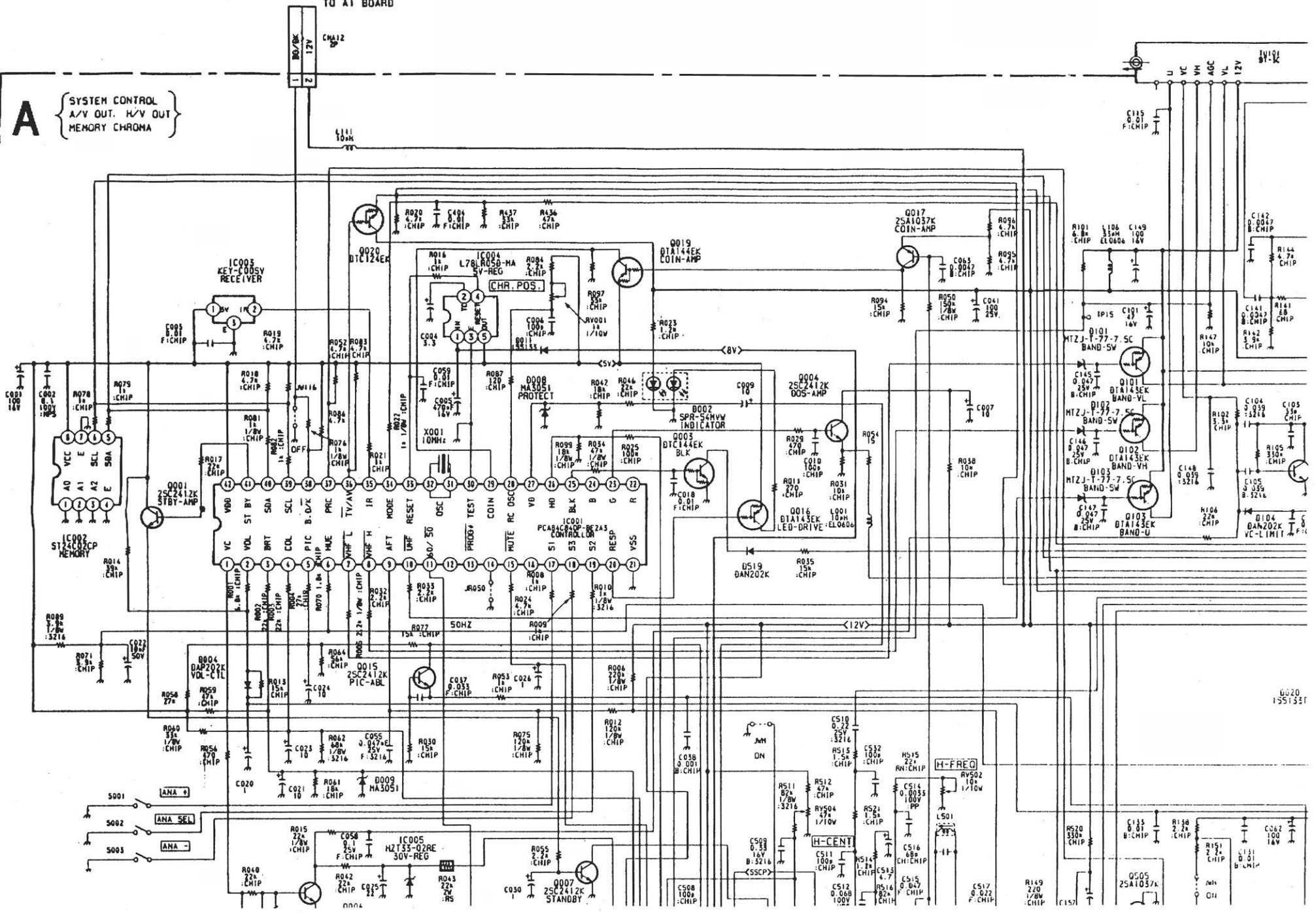
KV-M2101K / RM-841

Chassis No. SCC-E50H-A

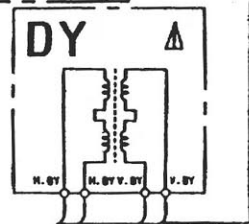
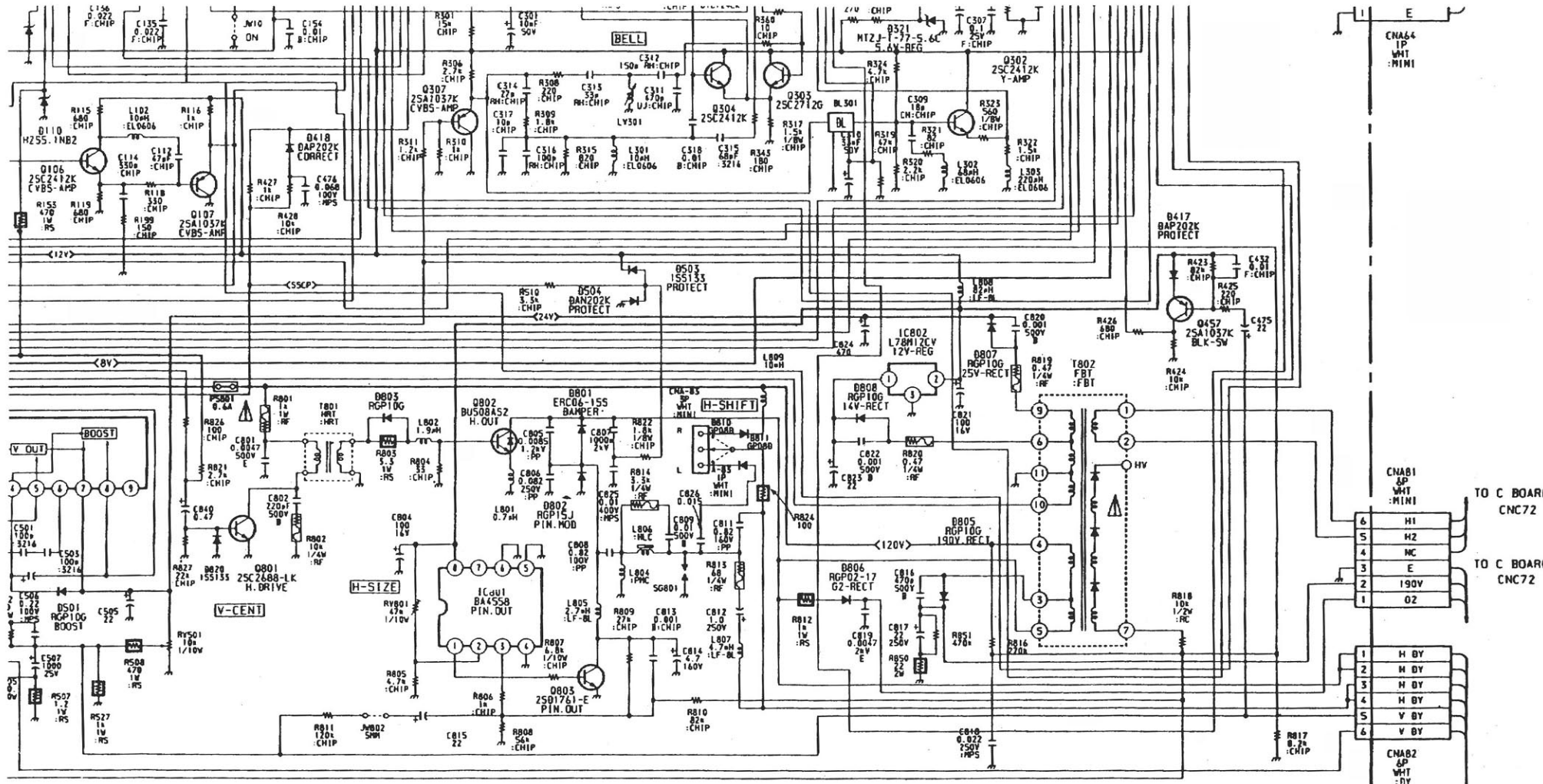


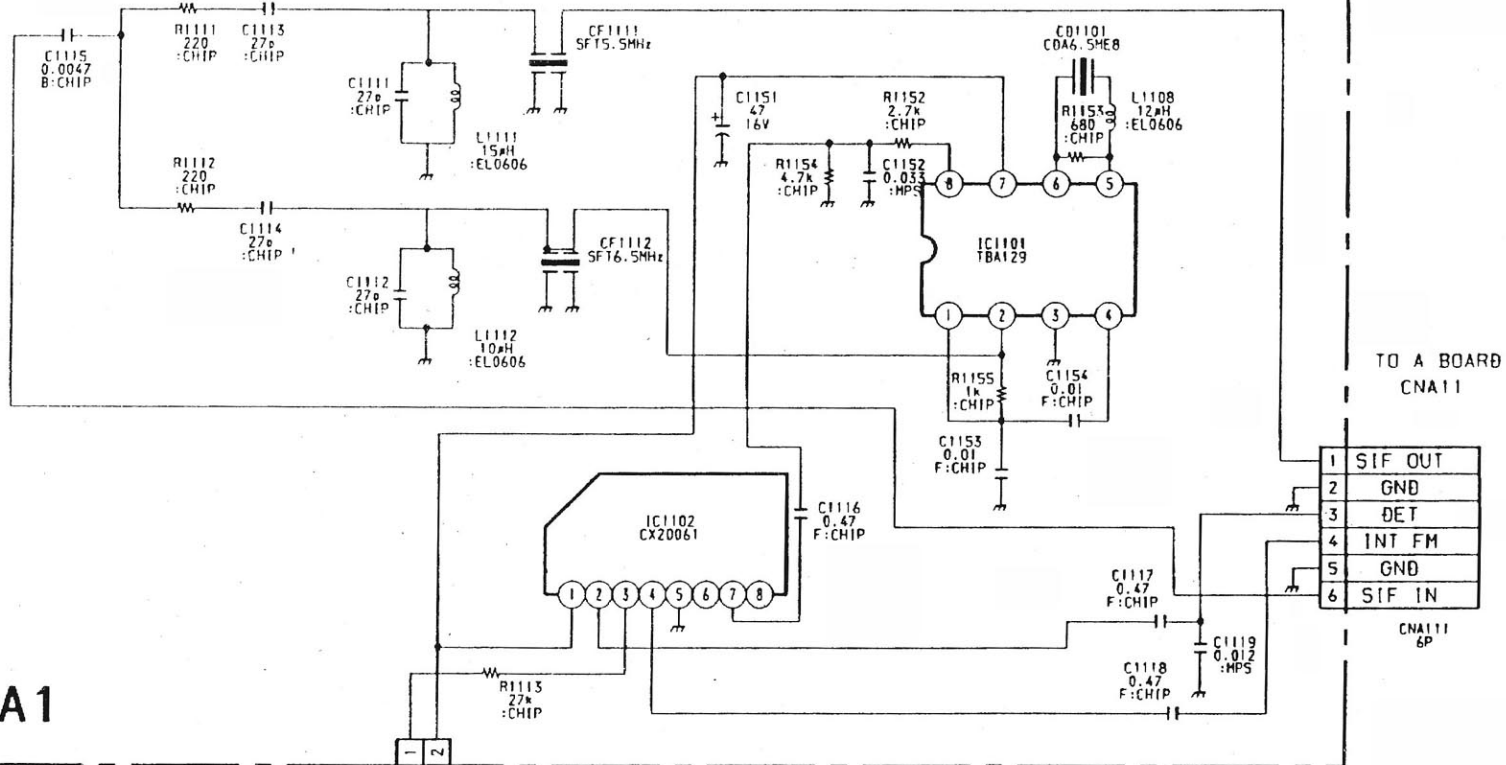
TO A1 BOARD

A { SYSTEM CONTROL
A/V OUT. H/V OUT
MEMORY CHROMA



0020
1551351





A Board

	M1400K	M1401K
* JW26	Not Fitted	Fitted

