

# AUDITOR

## Technical Sheet

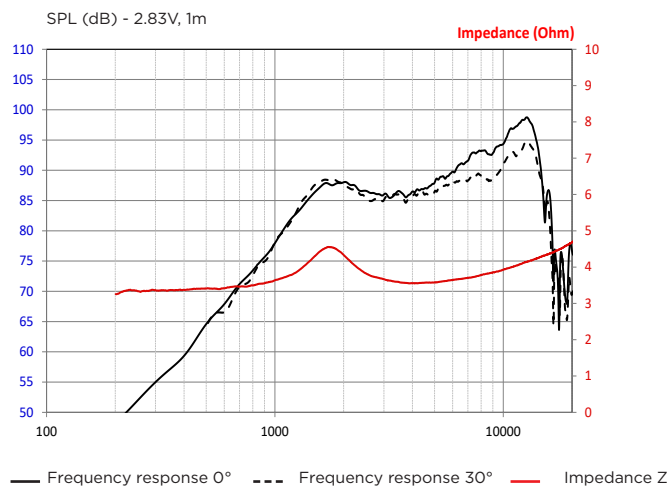
### Tweeter (1")



### SPECIFICATIONS

Nominal power	10W RMS
Maximum power	50W
Sensitivity (2,83V/1m)	89dB
Nom. Impedance	4Ω
Cone	Mylar
Surround	Mylar
DC resistance	3.5Ω
VC diameter	20mm 1"
Former	Kapton
Layers	2
Wire	Aluminium
Net weight	50g 0.11lbs

### FREQUENCY RESPONSE/IMPEDANCE

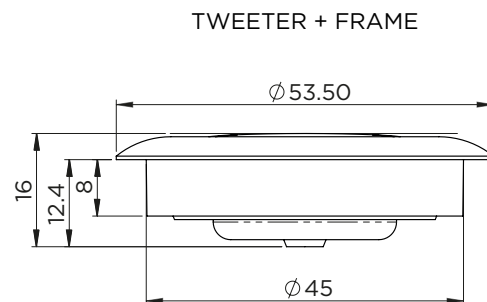
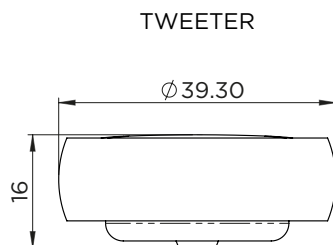


### PARAMETERS

Rdc	3.6 Ω
Fs	1750Hz

### MECHANICAL DRAWING

Dimensions in mm



# AUDITOR ASE 165

Technical Sheet

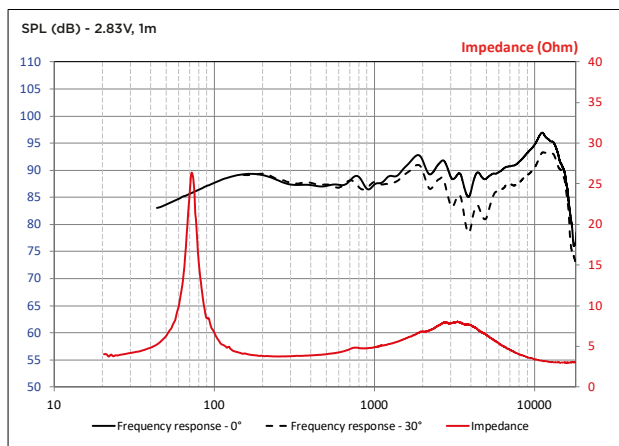
## 6.5" Woofer



## SPECIFICATIONS

Nominal power	60W
Maximum power	120W
Sensitivity	91.5dB
Nom. impedance	4 Ω
Frequency response	60Hz-21kHz
Cone	Polypropylene
Surround	Butyl
VC diameter	25mm 1"
Net weight	850g

## FREQUENCY RESPONSE/IMPEDANCE



## PARAMETERS

Rdc	3.3 Ω
Fs	71Hz
Mms	13.8g
Cms	0.36mm/N
Vas	9 l
Qts	0.9
Qes	1.1
Qms	8
Bxl	4.3 N/A
Sd	132cm

## MECHANICAL DRAWING

