



I-87068 **I-87068-G**
 8-ch Power Relay Module (5A Rating Current)

Features

- Form A & Form C Relay Output
- Dual Watchdog
- Configurable Power-on Settings
- Configurable Safe Value Settings
- 4 kV ESD Protection



Introduction

The I-87068 provides 4 Form A power relay output channels and 4 Form C power relay output channels. The I-87068 include 8 LED indicators for monitoring the relay output status and provide options for configuring power-on and safe digital output values. 4 kV ESD protection and 3750 V_{DC} intra-module isolation are also provided. The I-87068 is the ideal solution for high power applications.

Applications

- Building Automation
- Machine Automation
- Remote Diagnosis
- Factory Automation
- Remote Maintenance
- Testing Equipment

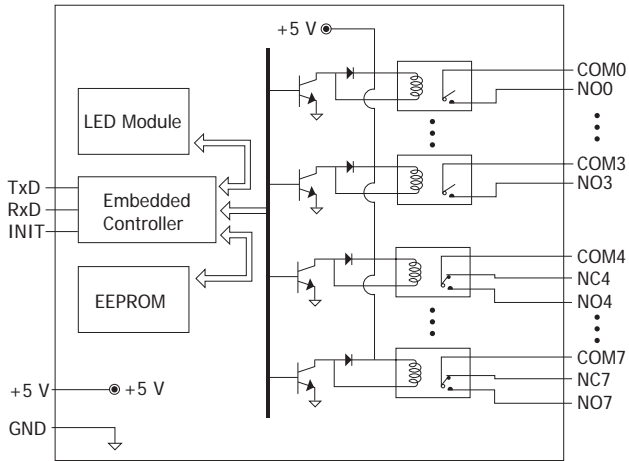
System Specifications

CPU Module	
Watchdog Timer	Yes, Module (1.6 Seconds), Communication (Programmable)
Isolation	
Intra-module Isolation	3750 V _{DC}
LED Indicators	
Status	1 x Power and Communication 8 x I/O
COM Ports	
Baud Rate	115200 bps
Data Format	N, 8, 1
Protocol	DCON
Power	
Power Consumption	1.8 W Max.
Mechanical	
Dimensions (W x L x H)	31 mm x 116 mm x 88 mm
Environment	
Operating Temperature	-25 ~ +75 °C
Storage Temperature	-30 ~ +75 °C
Humidity	5 ~ 95% RH, Non-condensing

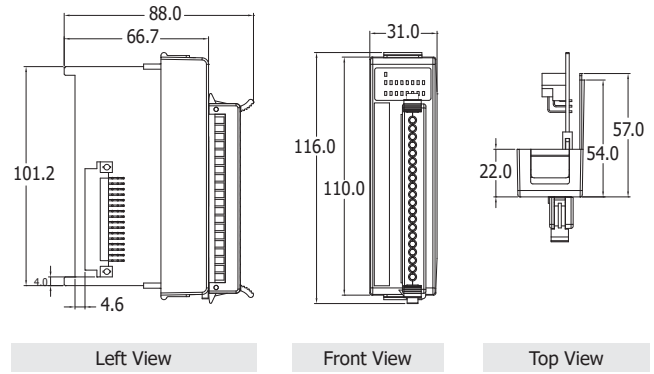
I/O Specifications

Relay Output	
Channels	8 (Form A x 4, Form C x 4)
Type	Signal Relay
Contact Rating	1 A @ 24 V _{DC} (Max.) 0.5 A @ 120 V _{AC} (Max.)
Operate Time	7 ms (typical)
Release Time	3 ms (typical)
Electrical Endurance	10 ⁵ ops
Mechanical Endurance	Form A: 10 ⁷ ops Form C: 10 x 10 ⁶ ops
Power-on Value	Yes
Safe Value	Yes

Internal I/O Structure



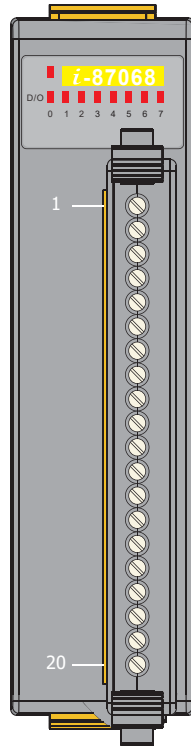
Dimensions (Units: mm)



Wire Connections

Output Type	ON State Readback as 1	OFF State Readback as 0
Form A Relay in RL0 ~ RL3		
Form C Relay in RL4 ~ RL7		

Pin Assignments



Terminal No.	Pin Assignment
01	NO0
02	COM0
03	NO1
04	COM1
05	NO2
06	COM2
07	NO3
08	COM3
09	NO4
10	NC4
11	COM4
12	NO5
13	NC5
14	COM5
15	NO6
16	NC6
17	COM6
18	NO7
19	NC7
20	COM7

Ordering Information

I-87068 CR	4-ch Form A Power Relay and 4-ch Form C Power Relay Module (5A Rating Current) (Blue Cover) (RoHS)
I-87068-G CR	4-ch Form A Power Relay and 4-ch Form C Power Relay Module (5A Rating Current) (Gray Cover) (RoHS)