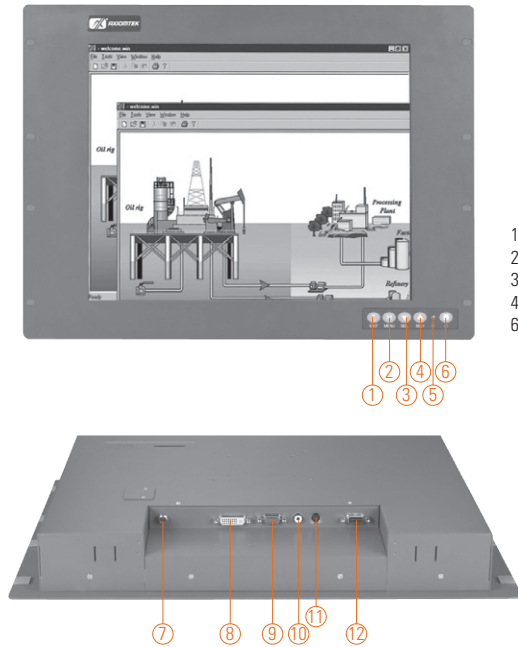


P6173

17" TFT Industrial LCD Monitor



1. Exit
2. Menu
3. SEL-
4. SEL+
5. Power LED
6. Power switch

7. DC power input
8. DVI
9. VGA
10. Video
11. S-video
12. T/S port (D-sub optional)

Features

- 17" TFT 380 nits high brightness SXGA LCD
- NEMA 4/12 (IP65)- compliant panel mounting flat panel monitor
- Supports panel mount, wall mount, rack mount and VESA arm
- Resistive touchscreen
- Supports full range screw-type (locked) AC-in or 24V DC-in (option)
- Supports multi-signal inputs: VGA, S-video, video and DVI



▲ Side view

Introduction

The P6173 is an ultra slim industrial LCD monitor, which adopts 17-inch 380 nits high brightness SXGA LCD display and supports multi-signal interfaces including DVI, VGA, S-Video, Video. Featuring NEMA4/IP65 compliant front bezel, screw-type adaptor plug design, and 12/24V DC-In means it is fit for all kinds of industrial environments. Moreover, the P6173 supports panel, wall, rack or VESA FPMPMI (Video Electronics Standards Association Flat Panel Monitor Physical Mounting Interface) mounting. With the compact mechanism design, users can enjoy free from space constraint. It is especially suitable for POI/POS, excellent HMI and all kinds of heavy-duty industrial fields.

Specifications

Front Bezel	NEMA 4/12 (IP65)-compliant, metal front bezel	
Mounting	Panel mounting, wall mounting, rackmount or VESA FPMPMI mounting (video electronics standards association Flat Panel monitor physical mounting interface)	
LCD Panel	Display	Type 17" TFT LCD
	Max. Resolution	1280 x 1024
	Max. Colors	16.7M
	Active Area (mm)	337.92 x 270.33
	Pixel Pitch (mm)	0.264 x 0.264
	Response Time	5ms
	Backlight	4 CCFL
	Backlight MTBF	50,000 hrs
	Viewing Angle (H/V)	160°/160°
	Contrast Ratio	800 (TYP.)
Brightness (cd/m ²)	380 nits	
Display Control	OSD (on screen display)	
Display Mode	VGA 640 x 480 (60/72/75Hz), VGA 640 x 350 (70Hz), VGA 720 x 400 (70Hz), XGA 1024 x 768 (60/72/75Hz), SVGA 800 x 600 (60/72/75Hz) SXGA 1280 x 1024 (60/72/75Hz)	

Specifications

Input Signal	VGA Video: R.G.B Analog 0.7v Peak-to-Peak Video (optional) S-Video (optional) DVI Touchscreen: Serial RS-232 interface
I/O Connectors	1 x RS-232 for touchscreen version 1 x VGA input 1 x RCA for video (optional) 1 x S-Video for video (optional) 1 x DVI 1 x Screw-type DC power input
Power Adapter	Screw-type external AC / DC power adapter
Touchscreen	Thickness Resistive: 3.2 mm
	Light Transmission Resistive: 80%
	Power Consumption Resistive: +5V @ 100mA
	Touch Life Resistive: 35million touches Controller interface: RS-232 D-type 9-pin male connector
Dimensions	482 mm (19") (W) x 60 mm (2.36") (D) x 360 mm (14.2") (H)
Packing Dimensions	610 mm (24.02") (W) x 260 mm (10.24") (D) x 590 mm (23.23") (H)
Weight (net/gross)	5.5 kg (12.12 lb)/12.7 kg (28 lb)
Environment	Operating temperature: 0° ~ +55°C (+32°F ~ +131°F) Storage temperature: -20°C ~ +60°C (-4°F ~ +140°F) Relative humidity: 20% ~ 90%, non-condensing
Certification	CE

Ordering Information

P6173		
AC Power	Panel Mount Monitor	
	Resistive (RS-232)	P6173PR-AC-RS
	Resistive (USB)	P6173PR-AC-U
24VDC Power	Panel Mount Monitor	
	Resistive (RS-232)	P6173PR-24VDC-RS
	Resistive (USB)	P6173PR-24VDC-U
	Glass	P6173PG-AC
	Glass	P6173PG-24VDC
	Glass	P6192PG-24VDC

P6173L (Input: VGA and DVI only)

AC Power	Panel Mount Monitor	
	Resistive (RS-232)	P6173LPR-AC-RS
	Resistive (USB)	P6173LPR-AC-U
24VDC Power	Panel Mount Monitor	
	Resistive (RS-232)	P6173LPR-24VDC-RS
	Resistive (USB)	P6173LPR-24VDC-U
	Glass	P6173LPG-AC
	Glass	P6173LPG-24VDC

* Specification and certifications are based on options and may vary.

Optional Accessories

ARM-VM-101	VESA ARM (clamp type)
ARM-VM-105	VESA ARM (wall mount type)
Wall mounting & desktop stand	



▲ Stand kit



▲ Various mounting ways Panel/Wall/VESA



▲ Screw-type power input



▲ Phoenix-type power input

Dimensions

