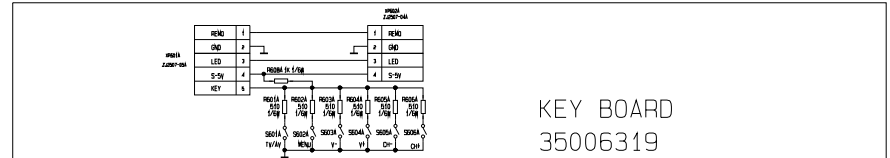
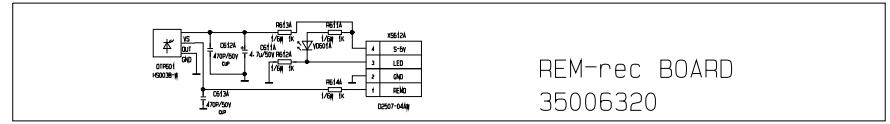


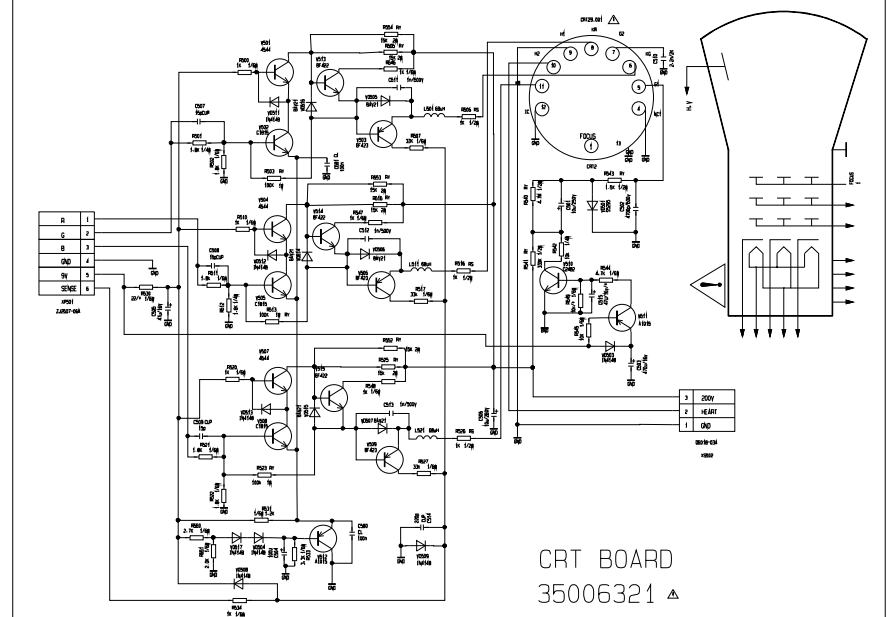
MAIN BOARD
35006318



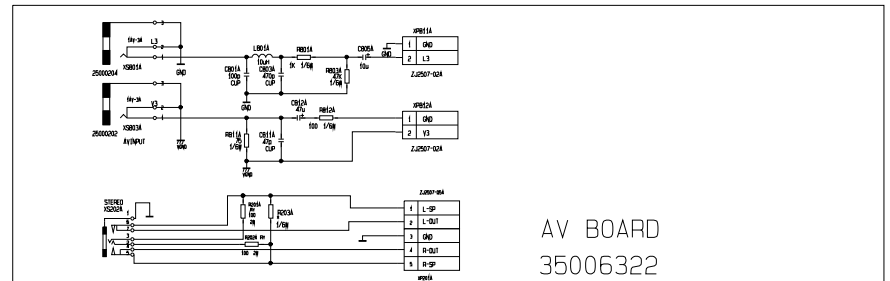
KEY BOARD
35006319



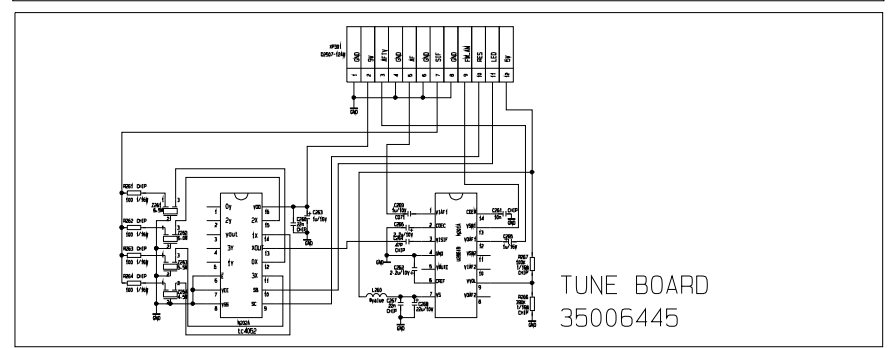
REM-rec BOARD
35006320



CRT BOARD
35006321



AV BOARD
35006322



TUNE BOARD
35006445

- NOTE:
- (1) ALL CAPACITORS ARE IN μ F UNLESS OTHERWISE NOTED.
ALL CAPACITORS ARE 50V UNLESS OTHERWISE NOTED.
 - (2) CAPACITORS NOT SPECIFICALLY DESIGNATED ARE CERAMIC CAPACITORS.
 - (3) ALL RESISTORS ARE IN OHM 1/6 WAT UNLESS OTHERWISE NOTED.
 - (4) RESISTORS NOT SPECIFICALLY DESIGNATED ARE CARSON FILM RESISTORS.
 - (5) THIS CIRCUIT DIAGRAM IS SUBJECT TO CHANGE WITHOUT PRIOR NOTICE.
 - (6) Δ DESIGNATES A SAFETY CRITICAL COMPONENT.

等级 标记		
标记数量	分区更改单号	签名日期
设计		
审核		
工艺		
标准化		
批准		

KP01507AST

第 张 共 张