



I-87065W

8-channel AC SSR Output Module

Introduction

The I-87065W module provides 8 AC Solid State Relay (SSR) Output channels. In comparison to electromechanical relays, SSR technology provides a faster response time and greater electrical endurance. The integration of AC SSR technology also eliminates the potential for arcing, bouncing, or switching noise. The I-87065W includes 8 LED indicators that can be used to monitor the status of the SSR output, and options are available for configuring power-on and safe values. 4 kV ESD protection and 3750 Vdc intra-module isolation are also provided to enhance the noise protection capabilities of the module in harsh industrial environments.

System Specifications

Communication	
Interface	RS-485
Format	N, 8, 1
Baud Rate	1200 to 115200 bps
Protocol	DCON
Dual Watchdog	Yes, Module (1.6 Seconds), Communication (Programmable)
LED Indicators/Display	
System LED Indicators	Yes, 1 as Power/Communication Indicator
I/O LED Indicators	8 as AC-SSR Output Indicators
Isolation	
Intra-module Isolation, Field-to-Logic	3000 Vdc
EMS Protection	
ESD (IEC 61000-4-2)	±4 kV Contact for each Terminal
	±8 kV Air for Random Point
Power	
Power Consumption	0.6 W Max.
Mechanical	
Dimensions (W × L × H)	30 mm × 115 mm × 102 mm
Environment	
Operating Temperature	-25 to +75°C
Storage Temperature	-40 to +85°C
Humidity	10 to 95% RH, Non-condensing

Features

- 8-channel AC SSR Output
- Form A AC Solid State Relay Output
- Fast Operating/Release Time
- No Arcing, Bouncing, or Switching Noise
- 3000 VDC Intra-module Isolation
- Configurable Power-on Value
- Configurable Safe Value
- Fast Response Time
- Unlimited Relay Lifetime
- 4 kV ESD Protection



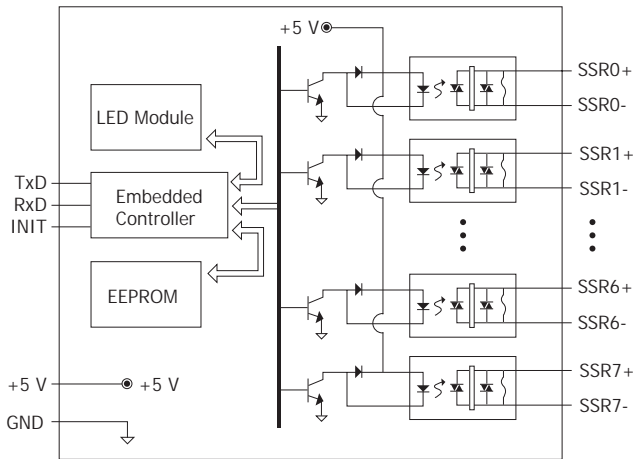
Applications

- Building Automation
- Factory Automation
- Machine Automation
- Remote Maintenance
- Remote Diagnosis
- Testing Equipment

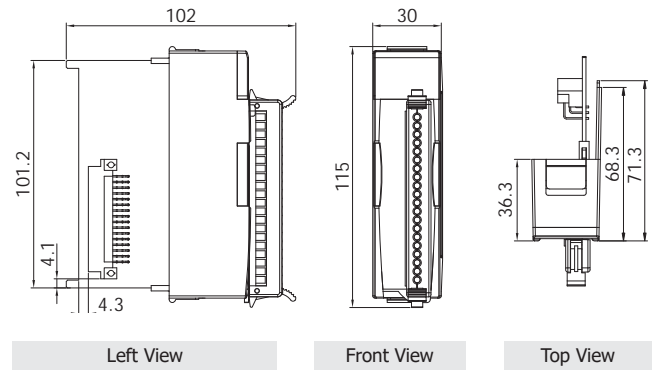
I/O Specifications

AC Solid State Relay Output		
Channels	8	
Type	AC SSR (Form A)	
Form A	Operating Voltage Range	+24 ~ +265 VAC
	Max. Load Current	1 A
	Leakage Current	1.5 mA
	Min. Operate Time	1/2 cycle + 1 ms
	Min. Release Time	1/2 cycle + 1 ms
	Dielectric Strength	2500 VAC
Electrical Endurance	Long Life, No Arcing, No Bounce, No Switching Noise	
Power-on Value	Yes	
Safe Value	Yes	

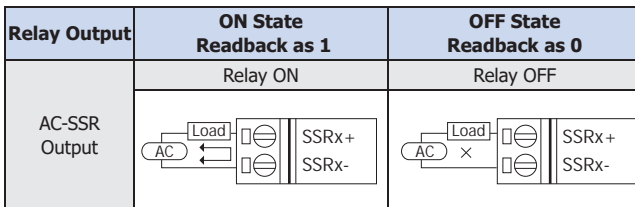
Internal I/O Structure



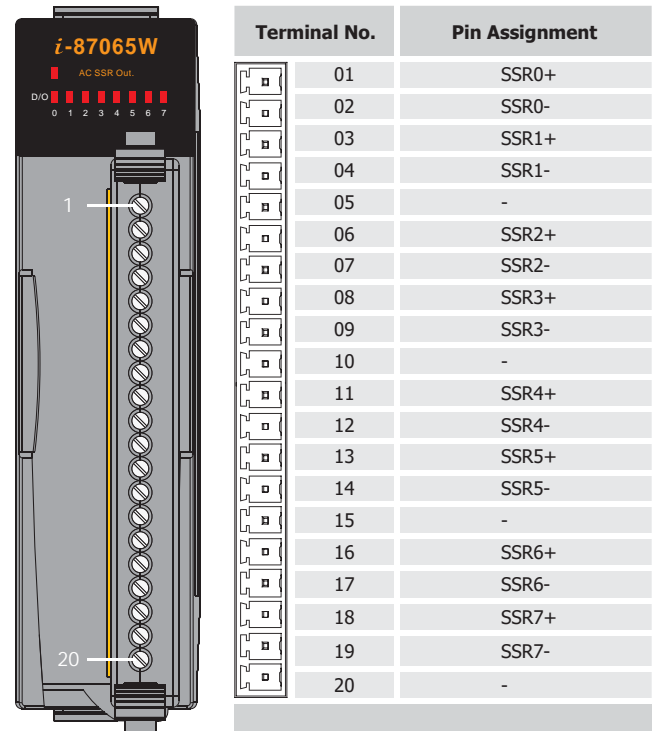
Dimensions (Units: mm)



Wire Connections



Pin Assignments



Ordering Information

I-87065W-G CR	8-channel AC SSR Output Module using the DCON Protocol (Gray Cover) (RoHS)
----------------------	--