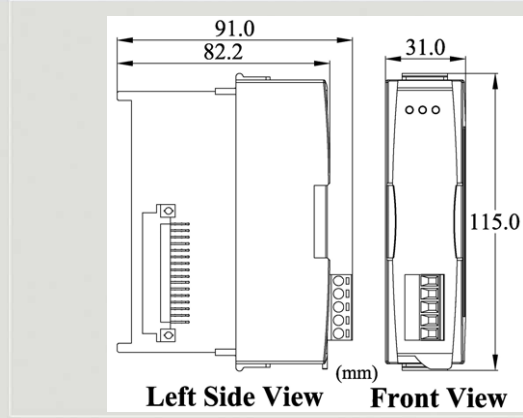


## 1 Port Intelligent CANopen Master Interface Module



I-87123



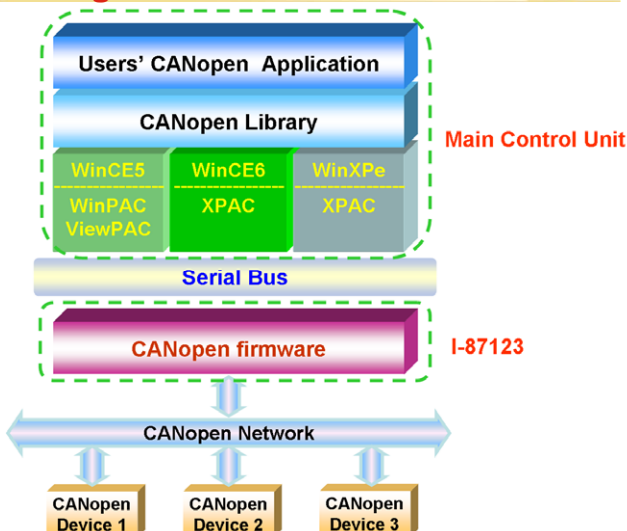
Dimensions

The I-87123 was developed as a standardized embedded network with highly flexible configuration capabilities. It provides standardized communication objects for real-time data (Process Data Objects, PDO), configuration data (Service Data Objects, SDO), network management data (NMT message, and Error Control), and special functions (Sync message, and Emergency message). Nowadays, CANopen is used in many various application fields, such as medical equipment, off-road vehicles, maritime electronics, public transportation, building automation and etc.

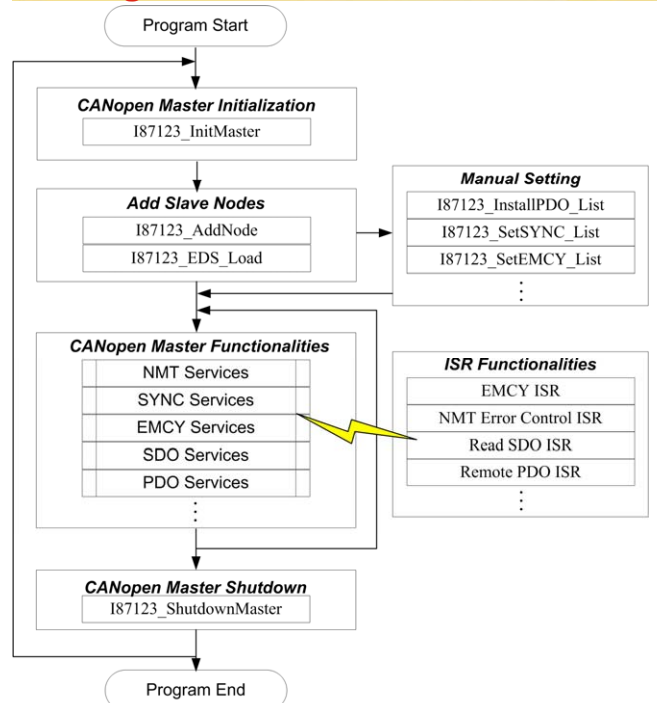
### Features

- NMT: Master
- CANopen Version: DS-301 v4.02
- Support Node Guarding and Heartbeat Consumer error control. protocol
- Provide EMCY and NMT Error Control interrupt service function
- Provide “master listen mode”
- Provide Dynamic PDO, acyclic and cyclic transmission
- Support ViewPAC-2xWx, WinPAC-8000, XPAC-8000 and XPAC-8000-CE6 series MCU

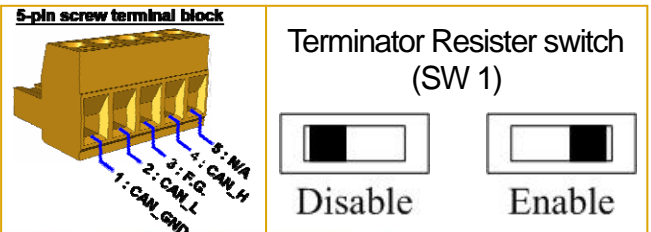
### Design Flowchart



### Design Flowchart



### CAN Pin & Terminator Resistor



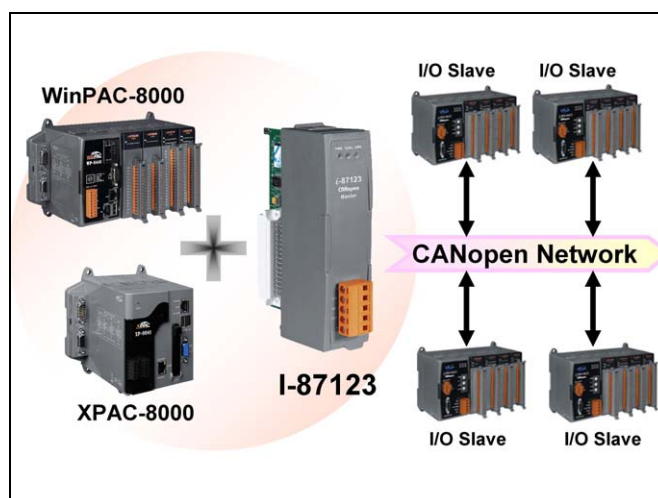
## Hardware Specifications

Hardware	
CPU	80186, 80 MHz or compatible
SRAM/Flash/EEPROM	512 KB / 512 KB / 2 KB
CAN Interface	
Controller	NXP SJA1000T with 16 MHz clock
Transceiver	NXP 82C250
Channel number	1
Connector	5-pin screw terminal block (CAN_GND, CAN_L, CAN_SHLD, CAN_H, N/A)
Baud Rate (bps)	10 k, 20 k, 50 k, 125 k, 250 k, 500 k, 800 k, 1 M
Transmission Distance (m)	Depend on baud rate (for example, max. 1000 m at 50 kbps )
Isolation	3000 V <sub>DC</sub> for DC-to-DC, 2500 V <sub>rms</sub> for photo-couple
Terminal Resistor	Jumper for 120 Ω terminal resistor
Specification	ISO 11898-2, CAN 2.0A and CAN 2.0B
Protocol	CANopen DS-301 ver4.02
Bus Interface	
Type	Serial I/O module
LED	
Round LED	PWR LED, RUN LED, ERR LED
Software	
Supported Platform	ViewPAC-2xWx, WinPAC-8000, XPAC-8000, XPAC-8000-CE6 (ISaGRAF not supported)
SDK	eVC++4.0, VC++ 6.0, VC++ 2005, VB.Net 2005, C#.Net 2005
Power	
Power Consumption	2 W
Mechanism	
Dimensions	31mm x 115mm x 91mm (W x L x H)
Environment	
Operating Temp.	-25 ~ 75 °C
Storage Temp.	-30 ~ 80 °C
Humidity	10 ~ 90% RH, non-condensing

## Applications

**WinPAC-8000**  
**XPAC-8000** + **I-87123**  
**CANopen Network**

Maritime Electronic / Medical Equipment / Data Monitor / And so on...



## Ordering Information

**I-87123**

One port intelligent CANopen master interface module.