



I-8057

I-8057-G

16-ch Isolated DO Module

Features

- 16-channel Open Collector Output
- Sink-type Digital Output
- 3750 Vdc Intra-module Isolation



Introduction

The I-8057 module offers 16 Digital Output channels, each of which features Photocouple isolation and supports sink-type output using an Open Collector. The I-8057 includes 16 LED indicators that can be used to monitor the status of the Digital Output channels. 4 kV ESD protection and 3750 VDC intra-module isolation is provided as standard.

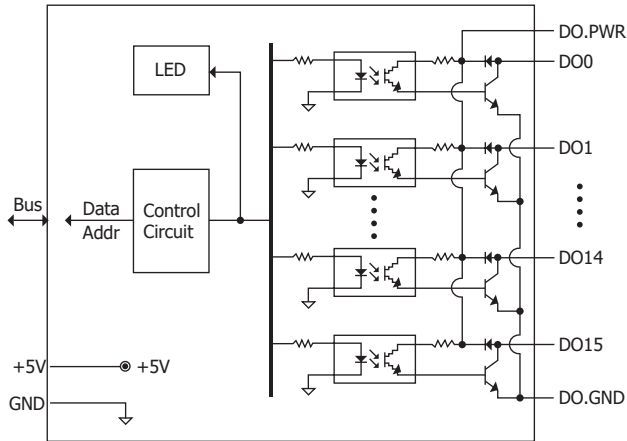
System Specifications

LED Indicators/Display	
System LED Indicator	1 LED as Power Indicator
I/O LED Indicator	16 LEDs as Digital Output Indicators
Isolation	
Intra-module Isolation, Field-to-Logic	3750 Vdc
EMS Protection	
ESD (IEC 61000-4-2)	±4 kV Contact for each Terminal
Power	
Power Consumption	0.9 W max.
Mechanical	
Dimensions (W x L x H)	31 mm x 116 mm x 88 mm
Environment	
Operating Temperature	-25 ~ +75 °C
Storage Temperature	-40 ~ +85 °C
Humidity	10 ~ 90% RH, Non-condensing

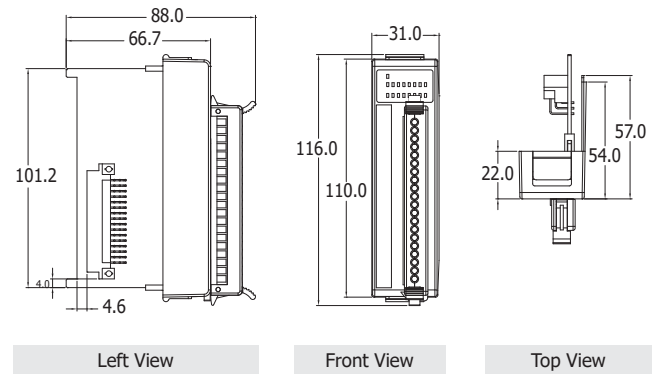
I/O Specifications

Digital Output	
Channels	16
Type	Isolated Open Collector
Sink/Source (NPN/PNP)	Sink
Max Load Current	100 mA/Channel
Load Voltage	+5 ~ +30 VDC

Internal I/O Structure



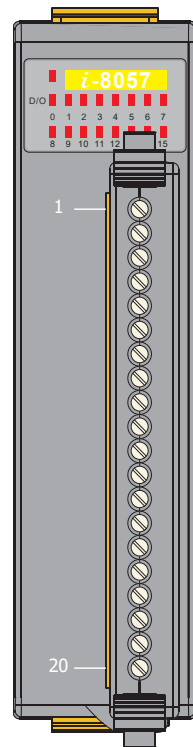
Dimensions (Units: mm)



Wire Connections

Input Type	ON State LED ON Readback as 1	OFF State LED OFF Readback as 0
Drive Relay	Relay ON 	Relay OFF
	Resistance Load 	Resistance Load

Pin Assignments



Terminal No.	Pin Assignment
01	DO0
02	DO1
03	DO2
04	DO3
05	DO4
06	DO5
07	DO6
08	DO7
09	DO8
10	DO9
11	DO10
12	DO11
13	DO12
14	DO13
15	DO14
16	DO15
17	DO.GND
18	DO.GND
19	DO.PWR
20	DO.PWR

Ordering Information

I-8057 CR	16-ch Isolated DO (Sink, NPN, 5~30VDC) Module (Blue Cover) (RoHS)
I-8057-G CR	16-ch Isolated DO (Sink, NPN, 5~30VDC) Module (Gray Cover) (RoHS)